



# 2.2 cu. ft. Countertop Microwave

WMC50522H



Fingerprint Resistant Stainless Steel  
WMC50522HZ

### Capacity

Total	2.2 cu. ft.
-------	-------------

### General Features & Properties

Recessed Glass Turntable

Microwave Built-In Trim Kit (Optional)

Microwave Presets

Electronic Touch Controls

Add 30 Seconds Option

Control Lock

Dishwasher-Safe Turntable Plate

Fingerprint-Resistant

### Electrical Details

Amps	15
Volts	120

### Technical Details

Microwave Type	Countertop
Lighting Type	Incandescent

### Dimensions

Product Dimensions (H x W x D)	12-9/16" x 24" x 19-5/8"
--------------------------------	--------------------------

### Reference Material

[Install Guide](#)

[Use & Care Guide](#)

[Warranty](#)

### Also available in:

- White **WMC50522HW**
- Black **WMC50522HB**
- Stainless Steel **WMC50522HS**
- Black Stainless Steel **WMC50522HV**

### Key Features & Benefits

#### 2.2 cu. ft. Capacity

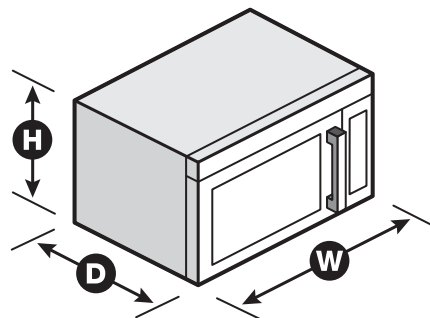
Microwave food in containers of almost any size with the most capacity available among Whirlpool® countertop microwaves.

#### Sensor Cooking

Automatically tracks the cooking progress of your food and adjusts the cook time as needed.

#### 1,200-Watt Cooking Power

Get quick and even cooking with 1,200 watts of cooking power.



NOTE: Dimensions are for planning purposes only. For complete details, see Installation Instructions packed with product. Specifications subject to change without notice.

®/™ © 2020. All rights reserved. Printed in the U.S.A. D200104XXE. WMC50522HSpecSheetV01.