



# 6.7 cu. ft. Double Oven Electric Range

WGE745C0F



Stainless Steel  
WGE745C0FS

### Also available in:

White Ice **WGE745C0FH**

Black Ice **WGE745C0FE**

### Capacity

Upper Oven 2.5 cu. ft.

Lower Oven 4.2 cu. ft.

### General Features & Properties

Convection Conversion

Temperature Sensor

Rapid Preheat (Lower Oven Only)

Steam Clean Option

6.7 cu. ft. Capacity

Easy-Wipe Ceramic Glass Cooktop

Hidden Bake Element

Dishwasher-Safe Knobs

#1 Selling Appliance Brand in the U.S.A.\*

### Electrical Details

Amps 40

Volts 120/240

### Certifications

ADA Compliant Yes

Star-K Certified/Kosher Yes

### Technical Details

Fuel Type Electric

Range Type Freestanding Double Oven

Oven Cooking System Upper—Thermal Lower—True Convection

Number of Oven Racks Upper—1 Lower—2

Cleaning Type AquaLift® Self-Cleaning

Number of Elements 5

Element Type Radiant

Element Size/Power  
(1) 6" 100W  
(1) 6" 300W/1300W  
(1) 6" 1200W  
(1) 9" 3000W  
(1) 12" 3000W

### Dimensions

Product Dimensions (H x W x D) 47-1/8" x 29-15/16" x 28-1/2"

Depth with Door Open 90° 46"

### Reference Material

[Dimension Guide](#)

[Install Guide](#)

[Use & Care Guide](#)

[Warranty](#)

### Key Features & Benefits

#### Frozen Bake™ Technology

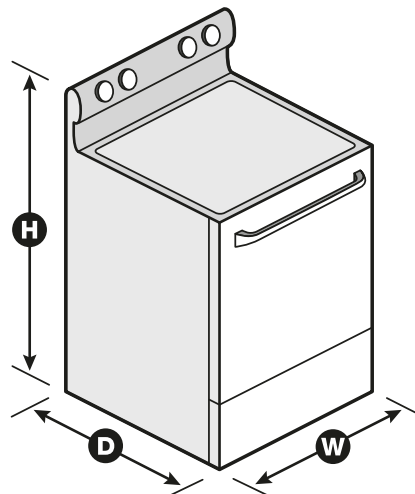
Cook frozen favorites faster with preprogrammed settings that automatically adjust cooking times.

#### True Convection Cooking

Cooks foods fast by using a third element plus a fan to distribute hot air evenly over, under and around food.

#### FlexHeat™ Triple Radiant Element

The 6" inner ring is great for smaller pots and pans, while 9" and 12" outer rings make room to heat larger cookware.



\*Based on 12-month average of unit sales. Refrigeration, Cooking, Dishwashers and Laundry appliances. TraQline 2018. NOTE: Dimensions are for planning purposes only. For complete details, see Installation Instructions packed with product. Specifications subject to change without notice. ©/™ © 2020. All rights reserved. Printed in the U.S.A. D200052XXB. WGE745C0FSPECSHEETV01.