



24" Compact Front Load Washer

WFW5090J



White
WFW5090JW

Capacity

Total	2.3 cu. ft.
-------	-------------

General Features & Properties

Save Time option	
------------------	--

Colors option	
---------------	--

Sleek Tap Touch controls with Memory	
--------------------------------------	--

Handwash cycle	
----------------	--

PreWash option	
----------------	--

Wool cycle	
------------	--

Synthetics cycle	
------------------	--

Quick Wash cycle	
------------------	--

Heavy Soil option	
-------------------	--

Electrical Details

Amps	15
------	----

Volts	120
-------	-----

Certifications

ADA Compliant	Yes**
---------------	-------

ENERGY STAR® Certified	Yes
------------------------	-----

Technical Details

Drum Material	Stainless Steel
---------------	-----------------

Control Location	Front Panel
------------------	-------------

Control Type	Electronic
--------------	------------

Number of Cycles	10
------------------	----

Washer Cycle Selections	Clean Washer Delicates Hand Wash Heavy Duty Normal Quick Wash Rinse & Spin Spin Only Synthetics Wool
-------------------------	---

Number of Options	12
-------------------	----

Washer Option Selections	Cold Water Pre Wash For Stains Colors Control Lock Delay Wash Detergent Dosing Extra Cold Rinse Extra Warm Rinse Heavy Soil Pre Wash Sanitize Save Time TumbleFresh™
--------------------------	---

Key Features & Benefits

Space-saving design at 2.3 cu. ft.

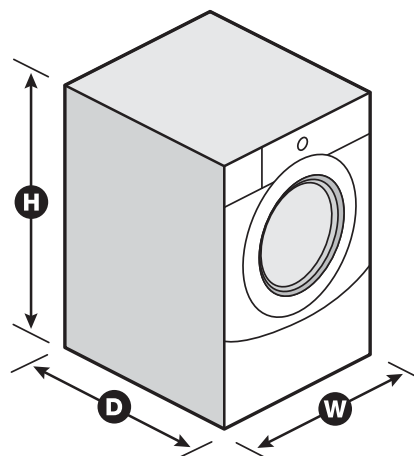
Our compact washer has a 24" width. Its slim design makes it flexible enough to install virtually anywhere, making it a space-saving design with a 2.3 cu. ft. capacity.

Detergent Dosing Aid

Stop overdosing your detergent and help rid your clothes of residue. The Detergent Dosing Aid option helps you add the right amount of detergent to provide any load the right clean without the residue.

Sanitize option

The Sanitize option uses increased water temperature to eliminate 99.9% of common household bacteria.*



Dimensions

Product Dimensions (H x W x D)	33-1/4" x 24" x 25-1/8"
--------------------------------	-------------------------

Depth with Door Open 90°	42-15/16"
--------------------------	-----------

Reference Material

[Dimension Guide](#)

[Install Guide](#)

[Use & Care Guide](#)

[Energy Guide](#)

[Warranty](#)

*Bacteria tested were *K. pneumoniae*, *P. aeruginosa*, *S. aureus*. **When using a 12" Pedestal. NOTE: Dimensions are for planning purposes only. For complete details, see Installation Instructions packed with product. Specifications subject to change without notice.