



5.1 cu. ft. Gas Range

WFG505M0B



Stainless Steel
WFG505M0BS

Also available in:

- White Ice **WFG505M0BW**
- Black Ice **WFG505M0BB**

Capacity

Oven	5.1 cu. ft.
------	-------------

General Features & Properties

Large Oven Window
Under-Oven Broiler
Griddle (Included)
Upswept Porcelain SpillGuard™ Cooktop
Recessed Cooktop
5,000 BTU AccuSimmer® Burner
Adjustable Oven Racks
Control Lock
Oven Light

Electrical Details

Amps	15
Volts	120

Certifications

ADA Compliant	Yes
---------------	-----

Technical Details

Fuel Type	Gas
Range Type	Freestanding Single Oven
Oven Cooking System	Thermal
Number of Oven Racks	2
Cleaning Type	Manual Clean
Number of Burners	5
Burner Type	Sealed Burners
Burner Power	(2) 5000 BTU (1) 8000 BTU (1) 9500 BTU (2) 15,000 BTU

Dimensions

Product Dimensions (H x W x D)	46-1/4" x 29-7/8" x 27-1/4"
Depth with Door Open 90°	45-1/4"

Reference Material

- [Dimension Guide](#)
- [Install Guide](#)
- [Use & Care Guide](#)
- [Warranty](#)

Key Features & Benefits

SpeedHeat™ Burners

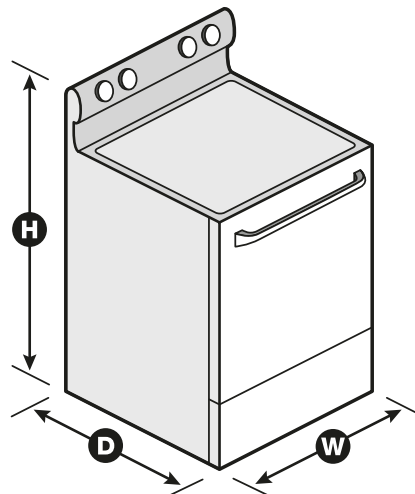
Sear and boil quickly with high-heat burners that offer up to 15,000 BTUs.

8,000 BTU Middle Burner

Maximize usable space on the cooktop with five burners, including a middle burner for added flexibility.

Full-Width Cast-Iron Grates

Cast-iron grates cover nearly the whole cooktop surface, providing flexibility to easily slide heavy pots and pans to optimal cooking locations.



NOTE: Dimensions are for planning purposes only. For complete details, see Installation Instructions packed with product. Specifications subject to change without notice.