



5.8 cu. ft. Slide-In Gas Range

WEG745H0F



Stainless Steel
WEG745H0FS

Capacity

Oven	5.8 cu. ft.
------	-------------

General Features & Properties

SpeedHeat™ Burner
Center Oval Burner
Temperature Sensor
Rapid Preheat
5.8 cu. ft. Capacity
Large Oven Window
Dishwasher-Safe Knobs
#1 Selling Appliance Brand in the U.S.A.*

Electrical Details

Amps	15
Volts	120

Certifications

ADA Compliant	Yes
Star-K Certified/Kosher	Yes

Technical Details

Fuel Type	Gas
Range Type	Slide-In Single Oven
Oven Cooking System	True Convection
Number of Oven Racks	3
Cleaning Type	AquaLift® Self-Clean
Number of Burners	5
Burner Type	Sealed Burners
Burner Power	(1) 5000 BTU (1) 8000 BTU (1) 9200 BTU (1) 15,000 BTU (1) 17,000 BTU

Dimensions

Product Dimensions (H x W x D)	36" x 29-7/8" x 28-7/8"
Depth with Door Open 90°	48-3/4"
Cutout Width	30"

Reference Material

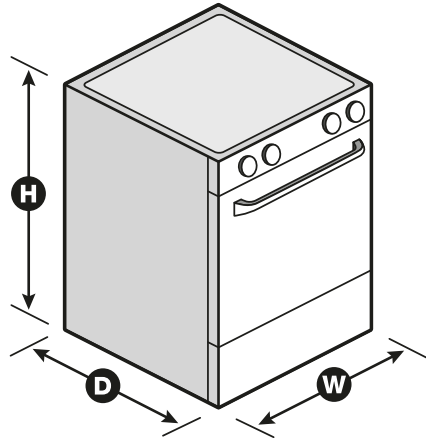
- [Dimension Guide](#)
- [Install Guide](#)
- [Use & Care Guide](#)
- [Warranty](#)

Key Features & Benefits

Frozen Bake™ Technology
Cook frozen favorites faster with preprogrammed settings that automatically adjust cooking times.

EZ-2-Lift™ Hinged Cast-Iron Grates
Wipe up the cooktop without removing the grates thanks to a hinged design that makes cleaning simple.

True Convection Cooking
Cooks foods fast by using a third element plus a fan to distribute hot air evenly over, under and around food.



*Based on 12-month average of unit sales. Refrigeration, Cooking, Dishwashers and Laundry appliances. TraQline 2018.
NOTE: Dimensions are for planning purposes only. For complete details, see Installation Instructions packed with product. Specifications subject to change without notice.
®/™ © 2020. All rights reserved. Printed in the U.S.A. D200052XXB. WEG745H0FSPECSHEETV01.