



6.4 cu. ft. Slide-In Electric Range

WEE745H0F



Stainless Steel
WEE745H0FS

Key Features & Benefits

Frozen Bake™ Technology

Cook frozen favorites faster with preprogrammed settings that automatically adjust cooking times.

True Convection Cooking

Cooks foods fast by using a third element plus a fan to distribute hot air evenly over, under and around food.

FlexHeat™ Triple Radiant Element

The 6" inner ring is great for smaller pots and pans, while 9" and 12" outer rings make room to heat larger cookware.

Capacity

Oven 6.4 cu. ft.

General Features & Properties

AquaLift® Self-Cleaning Technology

Temperature Sensor

Rapid Preheat

6.4 cu. ft. Capacity

Easy-Wipe Ceramic Glass Cooktop

Large Oven Window

Max Capacity Rack

Hidden Bake Element

Dishwasher-Safe Knobs

Electrical Details

Amps 40

Volts 240

Certifications

ADA Compliant Yes

Star-K Certified/Kosher Yes

Technical Details

Fuel Type	Electric
Range Type	Slide-In Single Oven
Oven Cooking System	True Convection
Number of Oven Racks	3
Cleaning Type	AquaLift® Self-Clean
Number of Elements	5
Element Type	Radiant
Element Size/Power	(1) 6" 100W (1) 6" 300W/1300W (1) 6" 1200W (1) 9"/6" 3000W (1) 12"/9"/6" 3000W

Dimensions

Product Dimensions (H x W x D)	36" x 29-7/8" x 28-7/8"
Depth with Door Open 90°	48-3/4"
Cutout Width	30"

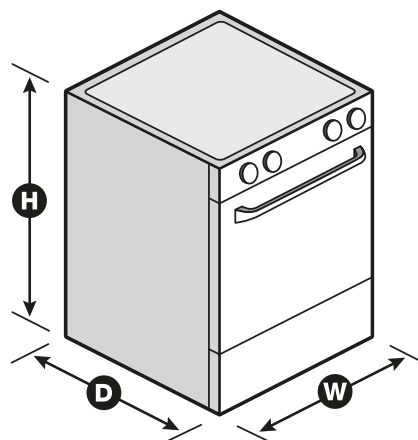
Reference Material

[Dimension Guide](#)

[Install Guide](#)

[Use & Care Guide](#)

[Warranty](#)



NOTE: Dimensions are for planning purposes only. For complete details, see Installation Instructions packed with product. Specifications subject to change without notice.

®/™ © 2020. All rights reserved. Printed in the U.S.A. D200052XXB. WEE745H0FSPECSHEETV01.