



# 4.8 cu. ft. Guided Electric Front Control Range

WEE510SAG



Stainless Steel  
WEE510SAGS

### Also available in:



Black

**WEE510SAGB**



White

**WEE510SAGW**

### Capacity

Oven 4.8 cu. ft.

### General Features & Properties

Adjustable Self-Cleaning

Easy-Wipe Ceramic Glass Cooktop

Temperature Sensor

4.8 cu. ft. Capacity

Keep Warm

Closed Door Broiling

Delay Cook

Sabbath Mode

Star-K Certified

### Electrical Details

Amps 40

Volts 120/240

### Certifications

ADA Compliant Yes

Star-K Certified/Kosher Yes

### Technical Details

Fuel Type Electric

Range Type Freestanding

Oven Cooking System Thermal

Number of Oven Racks 2

Cleaning Type Adjustable Self Cleaning

Number of Elements 4

Element Type Radiant

Element Size/Power  
(2) 9/6" 3000W  
(2) 6" 1200W

### Dimensions

Product Dimensions (H x W x D)  
34" x 29-7/8" x 29-1/4"

Depth with Door Open 90° 47-3/8"

Cutout Width 30-1/8"

### Reference Material

[Dimension Guide](#)

[Install Guide](#)

[Use & Care Guide](#)

[Warranty](#)

## Key Features & Benefits

### Frozen Bake™ Technology

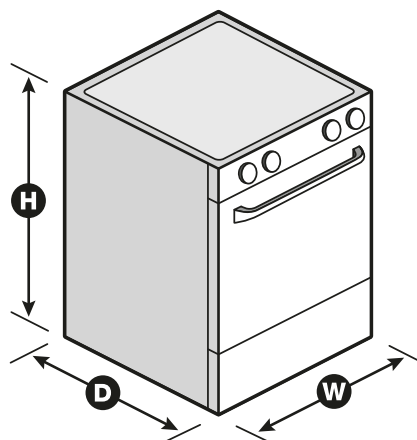
Skip preheating and cook frozen favorites like pizza in fewer steps with preprogrammed settings that automatically adjust cooking times for you.

### Guided Cooktop Controls

Control the heat without the guesswork. The knobless design uses up/down arrows to select the temperature you need, while heat level indicators show when you are simmering and melting.

### FlexHeat™ Dual Radiant Elements

Get two elements in one with a 6" inner ring that's great for smaller pots and pans and a 9" expandable outer ring that makes room for larger cookware.



NOTE: Dimensions are for planning purposes only. For complete details, see Installation Instructions packed with product. Specifications subject to change without notice.

®/™ © 2020. All rights reserved. Printed in the U.S.A. D200052XXB. WEE510SAGSPECSHEETV01.