

FRONT-CONTROL GAS RANGES



FEATURING



TimeSavor™ system

The TimeSavor™ system's Frozen Bake™ Technology allows you to skip preheating for favorites like pizza and lasagna so you can cook frozen foods faster.*



ReadySet™ system

The ReadySet™ system's SpeedHeat™ burners help you sear and boil quickly with the high temperatures of the two 15,000-BTU burners.



CompleteClean system

CompleteClean system's Adjustable self-cleaning allows you to take on all kinds of messes in the oven with cleaning settings for light, moderate or heavy soils.

Every day, care.™

*Compared to a traditional preheat and bake cycle for pizza and lasagna.

Front-Control Gas Ranges



WEG515SOF

NEW

5.0 cu. ft.



TimeSavor™ system
• Frozen Bake™ technology



ReadySet™ system
• SpeedHeat™ burners



CompleteClean system
• Adjustable self-cleaning



HelpingHand™ system
• Edge-to-edge cast-iron grates



HeatRight™ system
• Temperature sensor
• AccuSimmer® burner

Available Colors



W
White

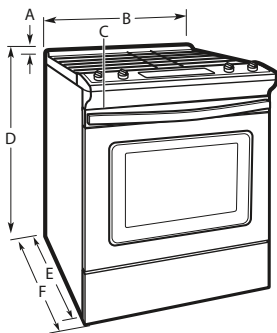


B
Black



S
Stainless Steel

Product Dimensions

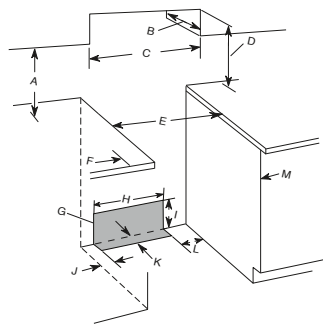


- A. 1¹/₈" (3.0 cm) height from cooktop to top of vent
- B. 29¹/₈" (75.9 cm)
- C. Model/serial number plate (located behind the oven door on the top right-hand side of the oven frame)
- D. 35" (89.1 cm) height to top of cooktop edge with leveling legs screwed all the way in*
- E. 28⁵/₈" (72.1 cm) max. depth from front of console to back of range.
- F. 29¹/₈" (73.7 cm) max. depth from handle to back of range.

IMPORTANT: Range must be level after installation. Follow the instructions in the "Level Range" section. Using the cooktop as a reference for leveling the range is not recommended.

* Range can be raised approximately 1¹/₂" (2.5 cm) by adjusting the leveling legs.

Cabinet Dimensions



- A. 18" (45.7 cm) upper side cabinet to countertop
- B. 13" (33 cm) max. upper cabinet depth
- C. 30" (76.2 cm) min. opening width
- D. For minimum clearance to top of cooktop, see NOTE*.
- E. 30" (76.2 cm) min. opening width
- F. 31" (78.7 cm) min. clearance from both sides of range to side wall or other combustible material.
- G. The shaded area is recommended for installation of rigid gas pipe and grounded outlet.
- H. 13¹/₈" (33.3 cm)
- I. 7¹/₈" (18.5 cm)
- J. 4¹/₈" (12.2 cm)
- K. 31¹/₈" (80.4 cm) or measurement of N, whichever is greater
- L. 12" (30.5 cm)
- M. Cabinet door or hinges should not extend into the cutout.
- N. Remaining counter depth should not exceed 2¹/₈" (5.7 cm)

NOTE: 24" (61.0 cm) minimum when bottom of wood or metal cabinet is shielded by not less than 1/4" (0.64 cm) flame retardant millboard covered with not less than No. 28 MSG sheet steel, 0.015" (0.4 mm) stainless steel, 0.024" (0.6 mm) aluminum or 0.020" (0.5 mm) copper.

30" (76.2 cm) minimum clearance between the top of the cooking platform and the bottom of an uncovered wood or metal cabinet.

ADDITIONAL FEATURES

- Keep Warm
- Closed door broiling
- Delay Cook
- Sabbath mode
- Star-K certified
- ADA compliant

Dimensions are for planning purposes only. For complete details, see Installation Instructions packed with product. Specifications subject to change without notice.

