

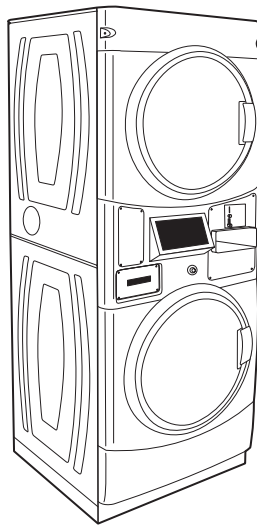


# INSTALLATION INSTRUCTIONS

COMMERCIAL STACKED WASHER/DRYER  
GAS OR ELECTRIC

# INSTRUCCIONES DE INSTALACIÓN

LAVADORA/SECADORA COMERCIALES  
APILADAS A GAS O ELÉCTRICAS

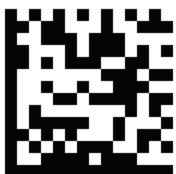


## TABLE OF CONTENTS

	Page
Stacked Washer/Dryer Safety .....	2
Tools and Parts .....	5
Alternate Parts and Accessories .....	6
Dimensions/Clearances .....	7
Stacked Washer/Gas Dryer Installation Requirements .....	8
Stacked Washer/Electric Dryer Installation Requirements .....	11
Dryer Venting Requirements .....	15
Dryer Gas Supply Requirements .....	18
Installing Stacked Washer/Dryer .....	19
Washer Drain System .....	22
Electric Dryer Electrical Connections .....	23
Leveling .....	29
Reversing Dryer Door Swing (Optional) .....	31
Stacked Washer/Dryer Maintenance Instructions .....	34
If You Need Assistance .....	35
Electronic Control Set-Up Instructions .....	36
Warranty .....	41

## ÍNDICE

	Página
Seguridad de la lavadora/ secadora apiladas .....	42
Herramientas y piezas .....	45
Piezas y accesorios adicionales .....	46
Dimensiones y espacios libres .....	47
Requisitos de instalación de la lavadora/ secadora a gas apiladas .....	48
Requisitos de instalación de la lavadora/ secadora eléctricas apiladas .....	51
Requisitos de ventilación de la secadora .....	56
Requisitos del suministro de gas de la secadora .....	59
Instalación de la lavadora/secadora apiladas .....	60
Sistema de desagüe de la lavadora.....	63
Conexiones eléctricas de la secadora eléctrica .....	64
Nivelación .....	70
Cómo invertir el cierre de la puerta de la secadora (opcional) .....	72
Instrucciones de mantenimiento de la lavadora/ secadora apiladas .....	75
Si necesita ayuda .....	76
Instrucciones de programación del control electrónico .....	77
Garantía .....	83



# STACKED WASHER/DRYER SAFETY

## Your safety and the safety of others are very important.

We have provided many important safety messages in this manual and on your appliance. Always read and obey all safety messages.



This is the safety alert symbol.

This symbol alerts you to potential hazards that can kill or hurt you and others.

All safety messages will follow the safety alert symbol and either the word "DANGER" or "WARNING."

These words mean:

**! DANGER**

You can be killed or seriously injured if you don't immediately follow instructions.

**! WARNING**

You can be killed or seriously injured if you don't follow instructions.

All safety messages will tell you what the potential hazard is, tell you how to reduce the chance of injury, and tell you what can happen if the instructions are not followed.



## **WARNING** - "Risk of Fire"

- Clothes dryer installation must be performed by a qualified installer.
- Install the clothes dryer according to the manufacturer's instructions and local codes.
- Do not install a clothes dryer with flexible plastic venting materials or flexible metal (foil type) duct. If flexible metal duct is installed, it must be of a specific type identified by the appliance manufacturer as suitable for use with clothes dryers. Flexible venting materials are known to collapse, be easily crushed, and trap lint. These conditions will obstruct clothes dryer airflow and increase the risk of fire.
- To reduce the risk of severe injury or death, follow all installation instructions.
- Save these instructions.

### **! WARNING**

#### **Fire Hazard**

**Failure to follow safety warnings exactly could result in serious injury, death, or property damage.**

**Do not install a booster fan in the exhaust duct.**

**Install all clothes dryers in accordance with the installation instructions of the manufacturer of the dryer.**

- It is recommended that the owner post, in a prominent location, instructions for the customer's use in the event the customer smells gas. This information should be obtained from your gas supplier.
- Post the following warning in a prominent location.

#### **FOR YOUR SAFETY**

Do not store or use gasoline or other flammable vapors and liquids in the vicinity of this or any other appliance.

# STACKED WASHER/DRYER SAFETY

 **WARNING:**

## FIRE OR EXPLOSION HAZARD

Failure to follow safety warnings exactly could result in serious injury, death, or property damage.

- Do not store or use gasoline or other flammable vapors and liquids in the vicinity of this or any other appliance.
- **WHAT TO DO IF YOU SMELL GAS:**
  - Do not try to light any appliance.
  - Do not touch any electrical switch; do not use any phone in your building.
  - Clear the room, building, or area of all occupants.
  - Immediately call your gas supplier from a neighbor's phone. Follow the gas supplier's instructions.
  - If you cannot reach your gas supplier, call the fire department.
- Installation and service must be performed by a qualified installer, service agency, or the gas supplier.

**WARNING:** Gas leaks cannot always be detected by smell.

Gas suppliers recommend that you use a gas detector approved by UL or CSA.

For more information, contact your gas supplier.

If a gas leak is detected, follow the "What to do if you smell gas" instructions.

In the State of Massachusetts, the following installation instructions apply:

- Installations and repairs must be performed by a qualified or licensed contractor, plumber, or gas fitter qualified or licensed by the State of Massachusetts.
- Acceptable Shut-off Devices: Gas Cocks and Ball Valves installed for use shall be listed.
- A flexible gas connector, when used, must not exceed 4 feet (121.9 cm).

**IMPORTANT:** The gas installation must conform with local codes, or in the absence of local codes, with the National Fuel Gas Code, ANSI Z223.1/NFPA 54, or the Natural Gas and Propane Installation Code, CSA B149.1.

The dryer must be electrically grounded in accordance with local codes, or in the absence of local codes, with the National Electrical Code, ANSI/NFPA 70, or the Canadian Electrical Code, Part 1, CSA C22.1.

State of California Proposition 65 Warnings:

**WARNING:** This product contains one or more chemicals known to the State of California to cause cancer.

**WARNING:** This product contains one or more chemicals known to the State of California to cause birth defects or other reproductive harm.

## IMPORTANT SAFETY INSTRUCTIONS

When discarding or storing your old clothes dryer, remove the door.

**SAVE THESE INSTRUCTIONS**

# STACKED WASHER/DRYER SAFETY

## IMPORTANT SAFETY INSTRUCTIONS

**WARNING:** To reduce the risk of fire, electric shock, or injury to persons when using the washer/dryer, follow basic precautions, including the following:

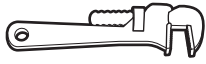
- Read all instructions before using the washer/dryer.
- Do not place items exposed to cooking oils in your dryer. Items contaminated with cooking oils may contribute to a chemical reaction that could cause a load to catch fire. To reduce the risk of fire due to contaminated loads, the final part of a tumble dryer cycle occurs without heat (cool down period). Avoid stopping a tumble dryer before the end of the drying cycle unless all items are quickly removed and spread out so that the heat is dissipated.
- Do not wash or dry articles that have been previously cleaned in, washed in, soaked in, or spotted with gasoline, dry-cleaning solvents, or other flammable or explosive substances as they give off vapors that could ignite or explode.
- Do not add gasoline, dry-cleaning solvents, or other flammable or explosive substances to the wash water. These substances give off vapors that could ignite or explode.
- Do not allow children to play on or in the washer/dryer. Close supervision of children is necessary when the washer/dryer is used near children.
- Before the washer/dryer is removed from service or discarded, remove the doors to the washer/dryer compartments.
- Do not reach into the washer/dryer if the tub, agitator, or drum is moving.
- Do not install or store the washer/dryer where it will be exposed to the weather.
- Do not tamper with controls.
- Clean dryer lint screen before or after each load.
- Under certain conditions, hydrogen gas may be produced in a hot water system that has not been used for 2 weeks or more. **HYDROGEN GAS IS EXPLOSIVE.** If the hot water system has not been used for such a period, before using the washing machine, turn on all hot water faucets and let the water flow from each for several minutes. This will release any accumulated hydrogen gas. As the gas is flammable, do not smoke or use an open flame during this time.
- Do not repair or replace any part of the washer/dryer or attempt any servicing unless specifically recommended in this Use and Care Guide or in published user-repair instructions that you understand and have the skills to carry out.
- Do not use fabric softeners or products to eliminate static unless recommended by the manufacturer of the fabric softener or product.
- Do not use heat to dry articles containing foam rubber or similarly textured rubber-like materials.
- Keep area around the exhaust opening and adjacent surrounding areas free from the accumulation of lint, dust, and dirt.
- The interior of the machine and dryer exhaust vent should be cleaned periodically by qualified service personnel.
- See “Electrical Requirements” section of the Installation Instructions booklet for grounding instructions.

**SAVE THESE INSTRUCTIONS**



# TOOLS AND PARTS

## Tools Needed:



8" (203 mm)  
or 10" (254 mm)  
Pipe wrench



8" (203 mm) or 10" (254 mm)  
Adjustable wrench  
that opens to 1" (25 mm)



Flat-blade screwdriver



Phillips screwdriver



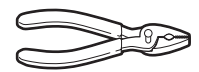
TORX T20<sup>†</sup> Security  
screwdriver or bit



1" (25 mm) Hex-head  
socket wrench



5/16" Socket wrench



Pliers  
(that open to 1<sup>9</sup>/<sub>16</sub>" [39 mm])



Level



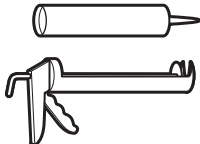
Utility knife



1/4" (6 mm) Nut driver



Locking pliers



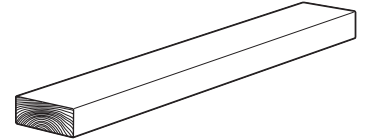
Caulk gun and caulk  
(for installing new exhaust vent)



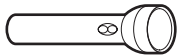
Vent clamps



Pipe-joint compound  
suitable for gas type



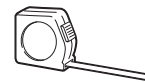
27" (686 mm) Wood block



Flashlight (optional)



1/2" (13 mm) and 9/16"  
(14 mm) Open-end wrenches



Ruler or measuring tape

## Parts Supplied:



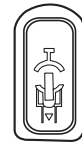
Water inlet hoses (2)



Inlet hose washers (4)



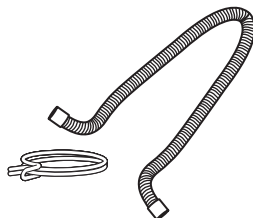
U-shaped hose form



Transit bolt hole plug (4)



Beaded tie strap



Drain hose/clamp

<sup>†</sup>TORX and T20 are registered trademarks of Acument Intellectual Properties, LLC.

# ALTERNATE PARTS AND ACCESSORIES

---

## Alternate Parts

---

Your installation may require additional parts. If you are interested in purchasing one of the items listed here, call the toll-free number in the "If You Need Assistance" section.

<b>If You Have</b>	<b>You Will Need to Buy</b>
Overhead sewer	Standard 20 gal. (76 L) 39" (990 mm) tall drain tub or utility sink, sump pump, and connectors (available from local plumbing suppliers)
1" (25 mm) standpipe	2" (51 mm) diameter to 1" (25 mm) diameter Standpipe Adapter Part Number 3363920 Connector Kit Part Number 285835
Drain hose too short	Extension Drain Hose Part Number 285863 Connector Kit Part Number 285835
Lint clogged drain	Drain Protector Part Number 367031 Connector Kit Part Number 285835
Floor drain system	Siphon break, Part Number 285834 Connector Kit (x2) Part Number 285835 Extension Drain Hose Part Number 285863
Water faucets beyond reach of fill hoses	2 longer water fill hoses: 6 ft. (1.8 m) 90° bend hose Part Number 76314 10 ft. (3.0 m) Part Number 350008

## Accessories

---

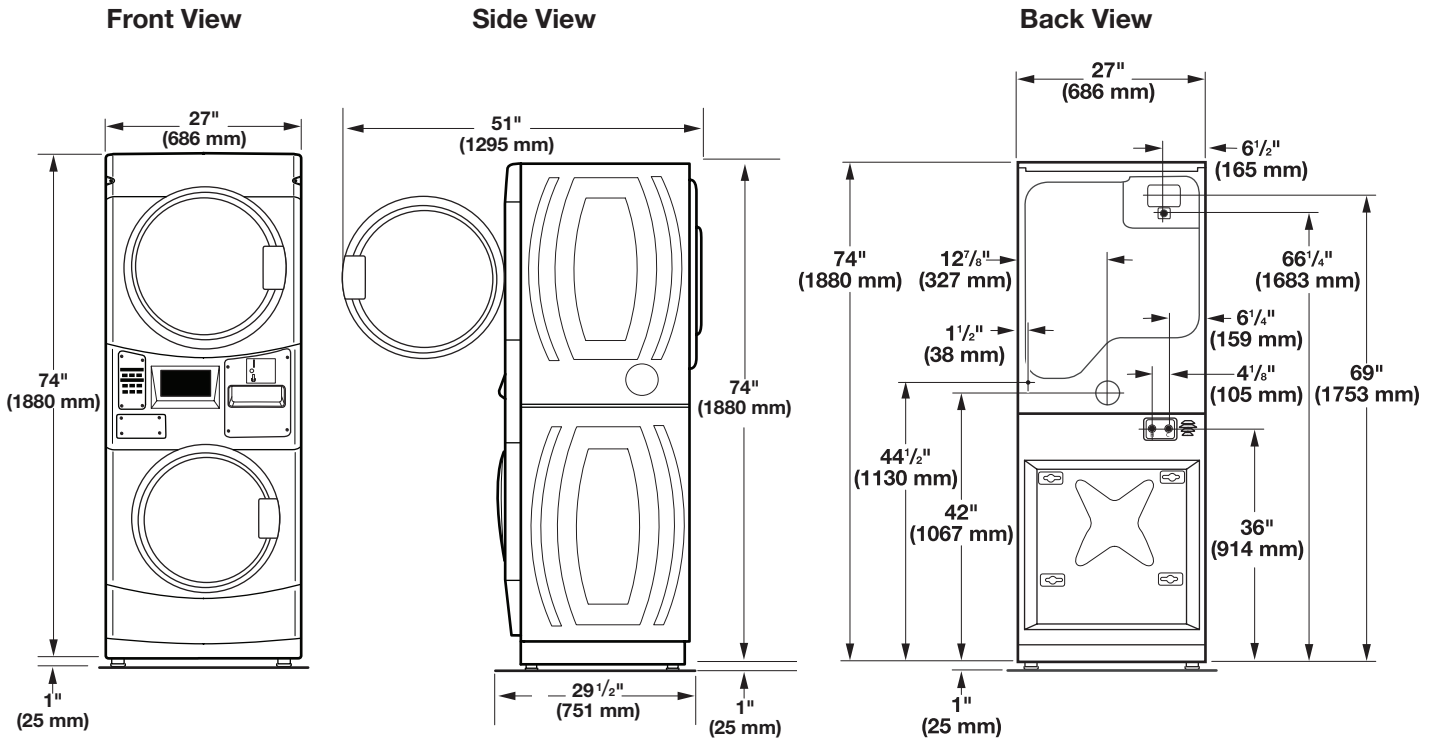
Enhance your washer/dryer with these premium accessories.

For more high-quality items or to order, call **1-866-698-2538**, or visit us at [www.whirlpool.com/accessories](http://www.whirlpool.com/accessories).

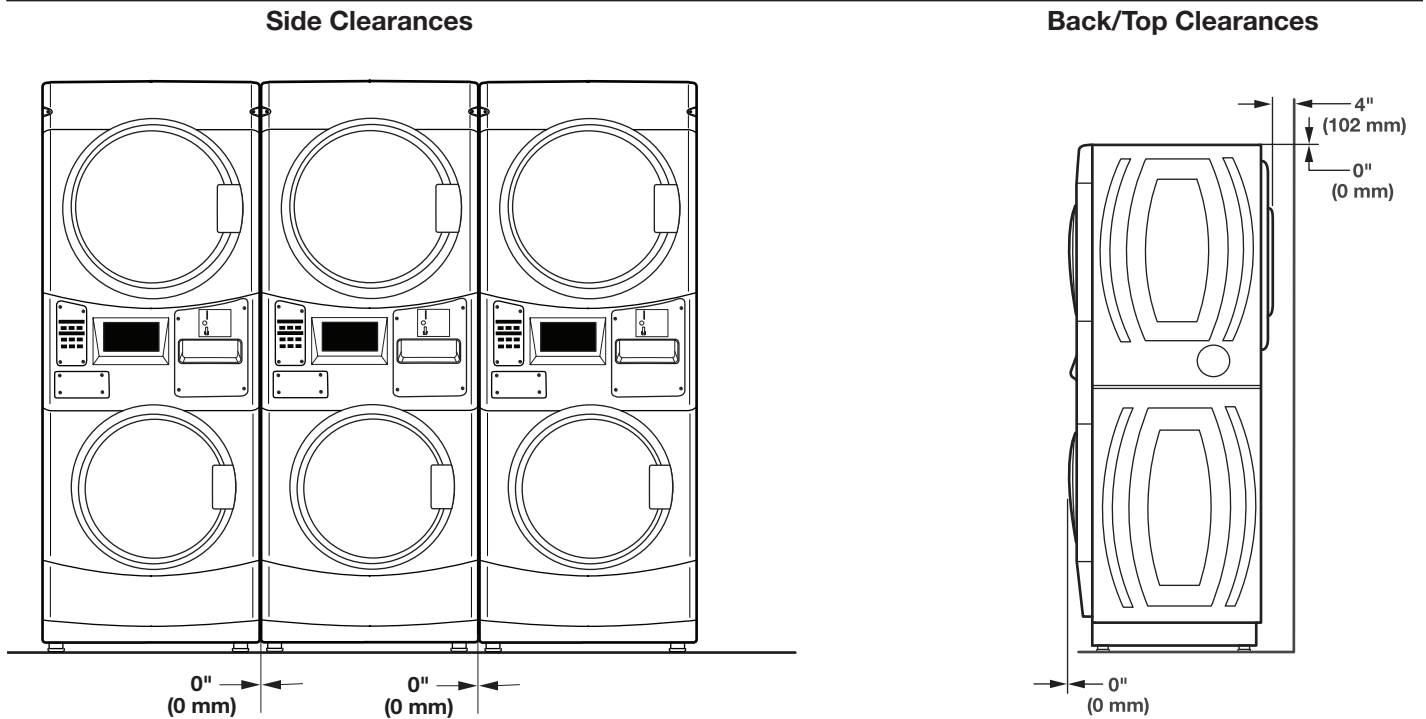
<b>Part Number</b>	<b>Accessory</b>
<b>8212526</b>	Washer drip tray, fits under all
<b>31682</b>	All-purpose appliance cleaner
<b>1903WH</b>	Laundry supply storage cart
<b>279818</b>	3-way dryer venting kit
<b>285834</b>	Siphon break kit

# DIMENSIONS/CLEARANCES

## Dimensions



## Clearances



# STACKED WASHER/GAS DRYER INSTALLATION REQUIREMENTS

## Stacked Washer/Gas Dryer Location

### **⚠ WARNING**



#### **Explosion Hazard**

**Keep flammable materials and vapors, such as gasoline, away from dryer.**

**Do not install in a garage.**

**Failure to do so can result in death, explosion, or fire.**

Selecting the proper location for your washer/dryer improves performance and minimizes noise and possible washer “walk.”

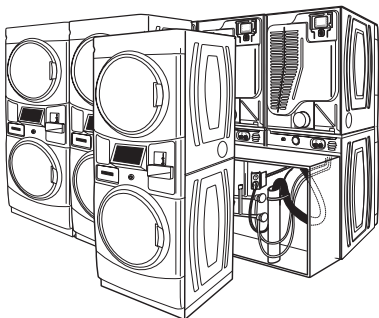
Your washer/dryer can be installed in a basement, laundry room, or recessed area. This washer/dryer is not intended for installation in a mobile home or recreational vehicle. See the “Drain System” section for more information.

Companion appliance location requirements should also be considered.

**IMPORTANT:** Do not install or store the washer/dryer where it will be exposed to the weather. Do not store or operate the washer/dryer in temperatures at or below 32°F (0°C). Some water can remain in the washer and can cause damage in low temperatures. Proper installation is your responsibility.

#### **You will need:**

- A water heater set to deliver 120°F (49°C) water to the washer.
- A grounded electrical outlet located within 6 ft. (1.8 m) of where the power cord is attached to the back of the washer. See “Electrical Requirements.”
- Hot and cold water faucets located within 4 ft. (1.2 m) of the hot and cold water fill valves, and water pressure of 20–100 psi (137.9–689.6 kPa).
- A level floor with a maximum slope of 1" (25 mm) under entire washer/dryer. Installing the washer/dryer on soft floor surfaces, such as carpets or surfaces with foam backing, is not recommended.
- A sturdy and solid floor to support the washer/dryer with a total weight (water and load) of 450 lbs (204 kg).
- A floor drain under the bulkhead. Prefabricated bulkheads with electrical outlets, water inlet lines, and drain facilities should be used only where local codes permit.



#### **Stacked washer/gas dryer installation clearances**

- The location must be large enough to allow the washer and dryer doors to be fully opened.
- Additional spacing should be considered for ease of installation and servicing. The doors open more than 180°. The washer door is not reversible.
- Additional clearances might be required for wall, door, and floor moldings.
- Additional spacing of 1" (25 mm) on all sides of the washer/dryer is recommended to reduce noise transfer and to improve spin-up performance of the washer.
- Companion appliance spacing should also be considered.

#### **When installing a gas dryer:**

**IMPORTANT:** Observe all governing codes and ordinances.

- Check code requirements: Some codes limit or do not permit installation of clothes dryers in garages, closets, or sleeping quarters. Contact your local building inspector.
- Make sure that lower edges of the cabinet, plus the back and bottom sides of the washer/dryer, are free of obstructions to permit adequate clearance of air openings for combustion air. See “Recessed Area Installation Instructions” below for minimum spacing requirements.

#### **Recessed Area Installation Instructions**

This washer/dryer may be installed in a recessed area. For recessed area installations, minimum clearances can be found on the warning label on the rear of the dryer or in “Dimensions/Clearances.”

The installation spacing is in inches and is the minimum allowable. Additional spacing should be considered for ease of installation, servicing, and compliance with local codes and ordinances.

The dryer must be exhausted outdoors.

# STACKED WASHER/GAS DRYER INSTALLATION REQUIREMENTS

## Stacked Washer/Gas Dryer Electrical Requirements

### **⚠ WARNING**



#### **Electrical Shock Hazard**

**Plug into a grounded 3 prong outlet.**

**Do not remove ground prong.**

**Do not use an adapter.**

**Do not use an extension cord.**

**Failure to follow these instructions can result in death, fire, or electrical shock.**

**IMPORTANT:** The washer/dryer must be electrically grounded in accordance with local codes and ordinances or, in the absence of local codes, with the National Electrical Code, ANSI/NFPA 70, latest edition, or Canadian Electrical Code, CSA C22.1. If codes permit and a separate ground wire is used, it is recommended that a qualified electrical installer determine that the ground path is adequate.

A copy of the above code standards can be obtained from:

National Fire Protection Association  
One Batterymarch Park, Quincy, MA 02269  
CSA International  
8501 East Pleasant Valley Road  
Cleveland, Ohio 44131-5575

- Do not ground to a gas pipe.
- Do not have a fuse in the neutral or ground circuit.
- A 120 volt, 60 Hz, AC only, 15 or 20 amp, fused electrical circuit is required. A time-delay fuse or circuit breaker is also recommended. It is recommended that a separate circuit serving only this washer/dryer be provided.
- This washer/dryer is equipped with a power supply cord having a 3 prong grounding plug.
- To minimize the possibility of shock, the cord must be plugged into a mating, 3 prong, grounding-type outlet, grounded in accordance with local codes and ordinances. If a mating outlet is not available, it is the personal responsibility and obligation of the customer to have the properly grounded outlet installed by a qualified electrician.
- If codes permit and a separate ground wire is used, it is recommended that a qualified electrician determine that the ground path is adequate.
- Check with a qualified electrician if you are not sure the washer/dryer is properly grounded.

## Stacked Washer/Gas Dryer Grounding

### **GROUNDING INSTRUCTIONS**

#### **For a grounded, cord-connected washer:**

This washer must be grounded. In the event of a malfunction or breakdown, grounding will reduce the risk of electrical shock by providing a path of least resistance for electric current. This washer is equipped with a cord having an equipment-grounding conductor and a grounding plug. The plug must be plugged into an appropriate outlet that is properly installed and grounded in accordance with all local codes and ordinances.

**WARNING:** Improper connection of the equipment-grounding conductor can result in a risk of electric shock. Check with a qualified electrician or serviceman if you are in doubt as to whether the appliance is properly grounded.

Do not modify the plug provided with the appliance – if it will not fit the outlet, have a proper outlet installed by a qualified electrician.

#### **For a permanently connected washer:**

This washer must be connected to a grounded metal, permanent wiring system, or an equipment grounding conductor must be run with the circuit conductors and connected to the equipment-grounding terminal or lead on the appliance.

### **GROUNDING INSTRUCTIONS**

#### ■ For a grounded, cord-connected dryer:

This dryer must be grounded. In the event of malfunction or breakdown, grounding will reduce the risk of electric shock by providing a path of least resistance for electric current. This dryer uses a cord having an equipment-grounding conductor and a grounding plug. The plug must be plugged into an appropriate outlet that is properly installed and grounded in accordance with all local codes and ordinances.

#### ■ For a permanently connected dryer:

This dryer must be connected to a grounded metal, permanent wiring system, or an equipment-grounding conductor must be run with the circuit conductors and connected to the equipment-grounding terminal or lead on the dryer.

**WARNING:** Improper connection of the equipment-grounding conductor can result in a risk of electric shock. Check with a qualified electrician or service representative or personnel if you are in doubt as to whether the dryer is properly grounded. Do not modify the plug on the power supply cord: if it will not fit the outlet, have a proper outlet installed by a qualified electrician.

### **SAVE THESE INSTRUCTIONS**

# STACKED WASHER/GAS DRYER INSTALLATION REQUIREMENTS

---

## Stacked Washer/Gas Dryer Gas Supply

---

### **WARNING**



#### **Explosion Hazard**

**Use a new CSA International approved gas supply line.**

**Install a shut-off valve.**

**Securely tighten all gas connections.**

**If connected to propane, have a qualified person make sure gas pressure does not exceed 13" (330 mm) water column.**

**Examples of a qualified person include:**

**licensed heating personnel,  
authorized gas company personnel, and  
authorized service personnel.**

**Failure to do so can result in death, explosion, or fire.**

**IMPORTANT:** Observe all governing codes and ordinances.

This installation must conform with all local codes and ordinances. In the absence of local codes, installation must conform with American National Standard, National Fuel Gas Code ANSI Z223.1/NFPA 54 or CAN/CSA B149.

A copy of the above code standards can be obtained from:

National Fire Protection Association  
One Batterymarch Park, Quincy, MA 02269  
CSA International  
8501 East Pleasant Valley Road  
Cleveland, Ohio 44131-5575


The design of this washer/dryer has been certified by CSA International for use at altitudes up to 10,000 feet (3048 m) above sea level at the B.T.U. rating indicated on the model/serial plate. Burner input adjustments are not required when the washer/dryer is operated up to this elevation.

When installed above 10,000 feet (3048 m), a four percent (4%) reduction of the burner B.T.U. rating shown on the model/serial plate is required for each 1,000 foot (305 m) increase in elevation. For assistance when converting to other gas types and/or installing above 10,000 feet (3048 m) elevation, contact your local service company.

# STACKED WASHER/ELECTRIC DRYER INSTALLATION REQUIREMENTS

## Stacked Washer/Electric Dryer Location

**⚠ WARNING**



**Explosion Hazard**

**Keep flammable materials and vapors, such as gasoline, away from dryer.**

**Do not install in a garage.**

**Failure to do so can result in death, explosion, or fire.**

Selecting the proper location for your washer/dryer improves performance and minimizes noise and possible washer “walk.”

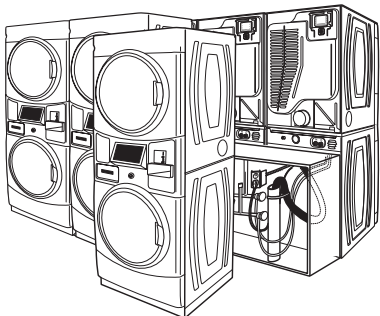
Your washer/dryer can be installed in a basement, laundry room, or recessed area. This washer/dryer is not intended for installation in a mobile home or recreational vehicle. See the “Drain System” section for more information.

Companion appliance location requirements should also be considered.

**IMPORTANT:** Do not install or store the washer/dryer where it will be exposed to the weather. Do not store or operate the washer/dryer in temperatures at or below 32°F (0°C). Some water can remain in the washer and can cause damage in low temperatures. Proper installation is your responsibility.

### You will need:

- A water heater set to deliver 120°F (49°C) water to the washer.
- A grounded electrical outlet located within 6 ft. (1.8 m) of where the power cord is attached to the back of the washer. See “Electrical Requirements.”
- Hot and cold water faucets located within 4 ft. (1.2 m) of the hot and cold water fill valves, and water pressure of 20–100 psi (137.9–689.6 kPa).
- A level floor with a maximum slope of 1" (25 mm) under entire washer/dryer. Installing the washer/dryer on soft floor surfaces, such as carpets or surfaces with foam backing, is not recommended.
- A sturdy and solid floor to support the washer/dryer with a total weight (water and load) of 450 lbs (204 kg).
- A floor drain under the bulkhead. Prefabricated bulkheads with electrical outlets, water inlet lines, and drain facilities should be used only where local codes permit.



### Stacked washer/electric dryer installation clearances

- The location must be large enough to allow the washer and dryer doors to be fully opened.
- Additional spacing should be considered for ease of installation and servicing. The doors open more than 180°. The washer door is not reversible.
- Additional clearances might be required for wall, door, and floor moldings.
- Additional spacing of 1" (25 mm) on all sides of the washer/dryer is recommended to reduce noise transfer and to improve spin-up performance of the washer.
- Companion appliance spacing should also be considered.

### Recessed Area Installation Instructions

This washer/dryer may be installed in a recessed area. For recessed area installations, minimum clearances can be found on the warning label on the rear of the dryer.

The installation spacing is in inches and is the minimum allowable. Additional spacing should be considered for ease of installation, servicing, and compliance with local codes and ordinances.

The dryer must be exhausted outdoors.



# STACKED WASHER/ELECTRIC DRYER INSTALLATION REQUIREMENTS

## Stacked Washer/Electric Dryer Electrical Requirements

### Washer Electrical Requirements

#### **⚠ WARNING**



#### **Electrical Shock Hazard**

**Plug into a grounded 3 prong outlet.**

**Do not remove ground prong.**

**Do not use an adapter.**

**Do not use an extension cord.**

**Failure to follow these instructions can result in death, fire, or electrical shock.**

- Do not have a fuse in the neutral or ground circuit.
- This washer/dryer is equipped with a power supply cord having a 3 prong grounding plug.
- To minimize the possibility of shock, the cord must be plugged into a mating, 3 prong, grounding-type outlet, grounded in accordance with local codes and ordinances. If a mating outlet is not available, it is the personal responsibility and obligation of the customer to have the properly grounded outlet installed by a qualified electrician.
- If codes permit and a separate ground wire is used, it is recommended that a qualified electrician determine that the ground path is adequate.
- Check with a qualified electrician if you are not sure the washer is properly grounded.

### Stacked Washer/Electric Dryer Grounding

#### **GROUNDING INSTRUCTIONS**

##### **For a grounded, cord-connected washer:**

This washer must be grounded. In the event of a malfunction or breakdown, grounding will reduce the risk of electrical shock by providing a path of least resistance for electric current. This washer is equipped with a cord having an equipment-grounding conductor and a grounding plug. The plug must be plugged into an appropriate outlet that is properly installed and grounded in accordance with all local codes and ordinances.

**WARNING:** Improper connection of the equipment-grounding conductor can result in a risk of electric shock. Check with a qualified electrician or serviceman if you are in doubt as to whether the appliance is properly grounded.

Do not modify the plug provided with the appliance – if it will not fit the outlet, have a proper outlet installed by a qualified electrician.

##### **For a permanently connected washer:**

This washer must be connected to a grounded metal, permanent wiring system, or an equipment grounding conductor must be run with the circuit conductors and connected to the equipment-grounding terminal or lead on the appliance.

#### **GROUNDING INSTRUCTIONS**

##### ■ For a grounded, cord-connected dryer:

This dryer must be grounded. In the event of malfunction or breakdown, grounding will reduce the risk of electric shock by providing a path of least resistance for electric current. This dryer uses a cord having an equipment-grounding conductor and a grounding plug. The plug must be plugged into an appropriate outlet that is properly installed and grounded in accordance with all local codes and ordinances.

##### ■ For a permanently connected dryer:

This dryer must be connected to a grounded metal, permanent wiring system, or an equipment-grounding conductor must be run with the circuit conductors and connected to the equipment-grounding terminal or lead on the dryer.

**WARNING:** Improper connection of the equipment-grounding conductor can result in a risk of electric shock. Check with a qualified electrician or service representative or personnel if you are in doubt as to whether the dryer is properly grounded. Do not modify the plug on the power supply cord: if it will not fit the outlet, have a proper outlet installed by a qualified electrician.

#### **SAVE THESE INSTRUCTIONS**

# STACKED WASHER/ELECTRIC DRYER INSTALLATION REQUIREMENTS

## Dryer Electrical Requirements

### It is your responsibility:

- To contact a qualified electrical installer.
- To be sure that the electrical connection is adequate and in conformance with the National Electrical Code, ANSI/NFPA 70 – latest edition and all local codes and ordinances.  
The National Electrical Code requires a 4-wire power supply connection for homes built after 1996 and dryer circuits involved in remodeling after 1996.  
A copy of the above code standards can be obtained from: National Fire Protection Association, One Batterymarch Park, Quincy, MA 02269.
- To supply the required 3 or 4 wire, single phase, 240 volt, 60 Hz., AC only electrical supply (or 3 or 4 wire, 120/208 volt electrical supply, if specified on the serial/rating plate) on a separate 30 amp circuit, fused on both sides of the line. A time delay fuse or circuit breaker is recommended. Connect to an individual branch circuit. Do not have a fuse in the neutral or grounding circuit.
- Do not use an extension cord.
- If codes permit and a separate ground wire is used, it is recommended that a qualified electrician determine that the ground path is adequate.

### Electrical Connection

To properly install your dryer, you must determine the type of electrical connection you will be using and follow the instructions provided for it here.

- This dryer is manufactured ready to install with a 3-wire electrical supply connection. The neutral ground conductor is permanently connected to the neutral conductor (white wire) within the dryer. If the dryer is installed with a 4-wire electrical supply connection, the neutral ground conductor must be removed from the external ground connector (green screw), and secured under the neutral terminal (center or white wire) of the terminal block. When the neutral ground conductor is secured under the neutral terminal (center or white wire) of the terminal block, the dryer cabinet is isolated from the neutral conductor.
- If local codes do not permit the connection of a neutral ground wire to the neutral wire, see the “Optional 3-wire connection” section.
- A 4-wire power supply connection must be used when the appliance is installed in a location where grounding through the neutral conductor is prohibited. Grounding through the neutral is prohibited for (1) new branch-circuit installations and (2) areas where local codes prohibit grounding through the neutral conductor.

### Electric Dryer Power Supply Cord

## ⚠ WARNING



### Fire Hazard

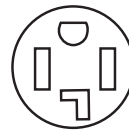
- Use a new UL listed 30 amp power supply cord.
- Use a UL listed strain relief.
- Disconnect power before making electrical connections.
- Connect neutral wire (white or center wire) to center terminal.
- Ground wire (green or bare wire) must be connected to green ground connector.
- Connect remaining 2 supply wires to remaining 2 terminals (gold).
- Securely tighten all electrical connections.
- Failure to do so can result in death, fire, or electrical shock.

### If using a power supply cord:

Use a UL Listed power supply cord kit marked for use with clothes dryers. The kit should contain:

- A UL Listed 30 amp power supply cord, rated 240 volt minimum. The cord should be type SRD or SRDT and be at least 4 ft. (1.22 m) long. The wires that connect to the dryer must end in ring terminals or “U” shaped spade terminals with upturned ends.
- A UL Listed strain relief.

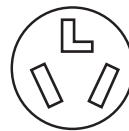
### If your outlet looks like this:



4-wire  
receptacle  
(14-30R)

Then choose a 4-wire power supply cord with ring or spade terminals and UL Listed strain relief. The 4-wire power supply cord, at least 4 ft. (1.22 m) long, must have four 10-gauge copper wires and match a 4-wire receptacle of NEMA Type 14-30R. The ground wire (ground conductor) may be either green or bare. The neutral conductor must be identified by a white cover.

### If your outlet looks like this:



3-wire  
receptacle  
(10-30R)

Then choose a 3-wire power supply cord with ring or spade terminals and UL Listed strain relief. The 3-wire power supply cord, at least 4 ft. (1.22 m) long, must have three 10-gauge copper wires and match a 3-wire receptacle of NEMA Type 10-30R.

# STACKED WASHER/ELECTRIC DRYER INSTALLATION REQUIREMENTS

---

## Dryer Direct Wire

### **WARNING**



#### Fire Hazard

**Use 10 gauge copper wire.**

**Use a UL listed strain relief.**

**Disconnect power before making electrical connections.**

**Connect neutral wire (white or center wire) to center terminal.**

**Ground wire (green or bare wire) must be connected to green ground connector.**

**Connect remaining 2 supply wires to remaining 2 terminals (gold).**

**Securely tighten all electrical connections.**

**Failure to do so can result in death, fire, or electrical shock.**

#### **If connecting by direct wire:**

Power supply cable must match power supply (4-wire or 3-wire) and be:

- Flexible armored cable or nonmetallic sheathed copper cable (with ground wire), covered with flexible metallic conduit. All current-carrying wires must be insulated.
- 10 gauge copper wire (do not use aluminum).
- At least 5 ft. (1.52 m) long.

# DRYER VENTING REQUIREMENTS

## **⚠ WARNING**



### **Fire Hazard**

**Use a heavy metal vent.**

**Do not use a plastic vent.**

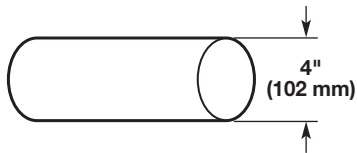
**Do not use a metal foil vent.**

**Failure to follow these instructions can result in death or fire.**

**WARNING:** To reduce the risk of fire, this dryer **MUST BE EXHAUSTED OUTDOORS.**

**IMPORTANT:** Observe all governing codes and ordinances.

Dryer exhaust must not be connected into any gas vent, chimney, wall, ceiling, attic, crawlspace, or a concealed space of a building. Only rigid or flexible metal vent shall be used for exhausting.



**4" (102 mm) heavy, metal exhaust vent**

- Only a 4" (102 mm) heavy, metal exhaust vent and clamps may be used.
- Do not use plastic or metal foil vent.

### **Rigid metal vent:**

- Recommended for best drying performance and to avoid crushing and kinking.

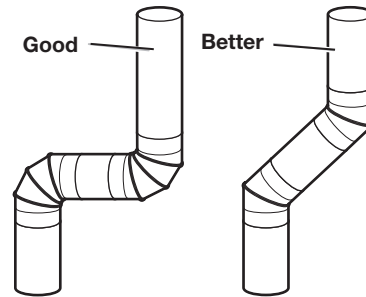
### **Flexible metal vent:** (Acceptable only if accessible to clean)

- Must be fully extended and supported in final dryer location.
- Remove excess to avoid sagging and kinking that may result in reduced airflow and poor performance.
- Do not install in enclosed walls, ceilings, or floors.
- The total length should not exceed 7¾ ft. (2.4 m).

**NOTE:** If using an existing vent system, clean lint from entire length of the system and make sure exhaust hood is not plugged with lint. Replace plastic or metal foil vents with rigid metal or flexible metal vents. Review "Vent System Chart" and if necessary, modify existing vent system to achieve best drying performance.

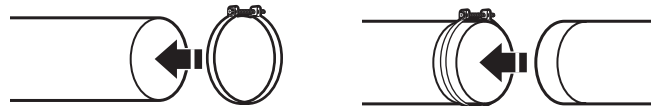
### **Elbows:**

- 45° elbows provide better airflow than 90° elbows.



### **Clamps:**

- Use clamps to seal all joints.
- Exhaust vent must not be connected or secured with screws or other fastening devices that extend into interior of duct and catch lint. Do not use duct tape.



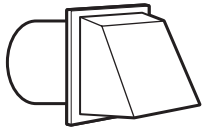
### **Improper venting can cause moisture and lint to collect indoors, which may result in:**

- Moisture damage to woodwork, furniture, paint, wallpaper, carpets, etc.
- Housecleaning problems and health problems.

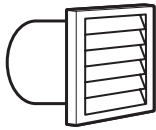
# DRYER VENTING REQUIREMENTS

## Vent Hoods

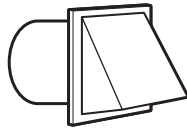
### 4" (102 mm) Diameter Exhaust Hoods



Box hood

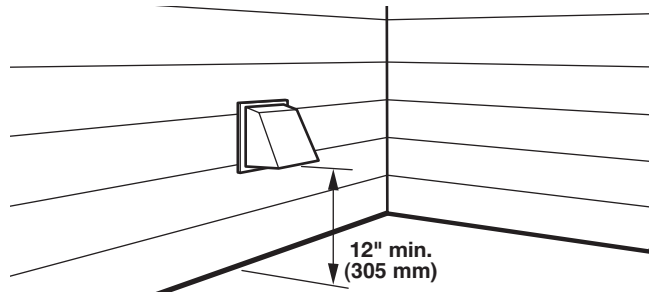


Louvered hood



Angled hood

Exhaust hood must be at least 12" (305 mm) from the ground or any object that may be in the path of the exhaust (such as flowers, rocks, bushes, or snow).



## Vent System Length

### Maximum Vent Length/Vent Connection

Maximum length of vent system depends upon the type of vent used, number of elbows, and type of exhaust hood.

**Vent System Chart (Rigid Metal Vent)**

No. of 90° Turns	Box and Louvered Hood	Angled Hood
0	64 ft. (19.5 m)	58 ft. (17.7 m)
1	54 ft. (16.5 m)	48 ft. (14.6 m)
2	44 ft. (13.4 m)	38 ft. (11.6 m)
3	35 ft. (10.7 m)	29 ft. (8.8 m)
4	27 ft. (8.2 m)	21 ft. (6.4 m)

For vent systems not covered by the vent specification chart, see your parts distributor.

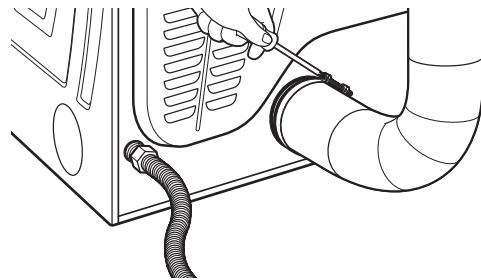
Provision must be made for enough air for combustion and ventilation (check governing codes and ordinances). See "Recessed Area Installation Instructions" in the "Stacked Washer/Gas Dryer Location" and "Stacked Washer/Electric Dryer Location" sections.

A 4" (102 mm) outlet hood is preferred. However, a 2½" (64 mm) outlet exhaust hood may be used. A 2½" (64 mm) outlet creates greater back pressure than other hood types. For permanent installation, a stationary vent system is required.

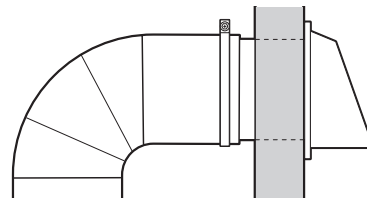
### Connect Vent

1. If connecting to existing vent, make sure the vent is clean.
2. Using a 4" (102 mm) clamp, connect vent to exhaust outlet in dryer.

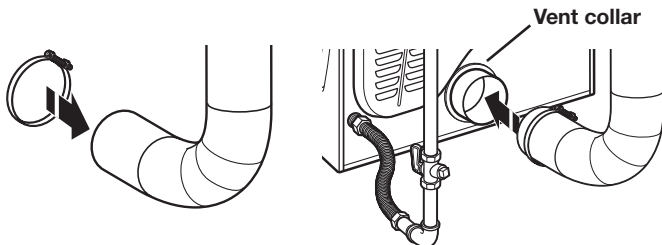
3. Tighten hose clamp with Phillips screwdriver.



4. Make sure the vent is secured to exhaust hood with a 4" (102 mm) clamp.



5. Move dryer into final position. Do not crush or kink vent. Make sure dryer is level.

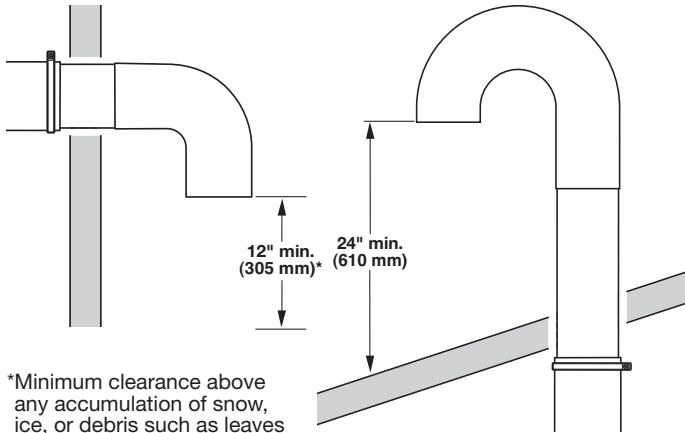


**NOTE:** Do not remove vent collar.

# DRYER VENTING REQUIREMENTS

## If an Exhaust Hood Cannot Be Used

The outside end of main vent should have a sweep elbow directed downward.



If main vent travels vertically through the roof, rather than through wall, install a 180° sweep elbow on end of vent at least 2 ft. (610 mm) above surface of roof.

The opening in wall or roof shall have a diameter 1/2" (13 mm) larger than vent diameter. Vent should be centered in opening.

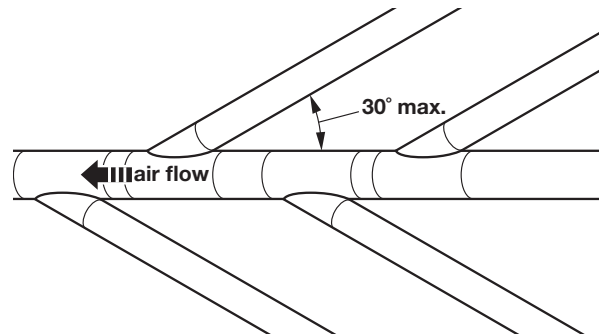
Do not install screening over end of vent for best performance.

## Multiple Dryer Venting

A main vent can be used for venting a group of dryers. The main vent should be sized to remove 200 CFM of air per dryer. Large-capacity lint screens of proper design may be used in main vent if checked and cleaned frequently. The room where the dryers are located should have make-up air equal to or greater than CFM of all the dryers in the room.

Back-draft Damper Kit, Part No. 3391910, is available from your distributor and should be installed in the vent of each dryer to keep exhausted air from returning into dryers and to keep exhaust in balance within main vent. Unobstructed return air openings are required.

Each vent should enter the main vent at an angle pointing in the direction of the airflow. Vents entering from the opposite side should be staggered to reduce the exhausted air from interfering with the other vents.



The maximum angle of each vent entering the main vent should be no more than 30°.

# DRYER GAS SUPPLY REQUIREMENTS

## Type of Gas

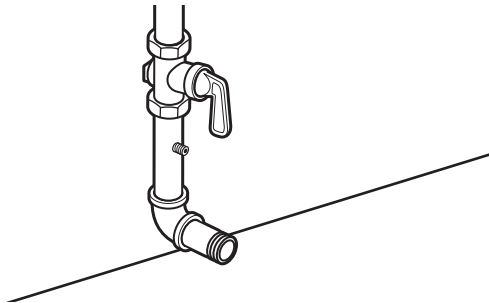
This dryer is equipped for use with natural gas. It is certified by UL for use with propane gas with appropriate conversion. No attempt shall be made to convert dryer from gas specified on serial/rating plate for use with a different gas without consulting the serving gas supplier. Conversion must be done by a qualified service technician.

Gas conversion kit part numbers are listed on gas valve burner base.

## Gas Supply Line

### Recommended Method

Provide a gas supply line of 1/2" (13 mm) rigid (IPS) pipe to dryer location. Pipe joint compounds that resist action of propane gas must be used. Do not use TEFLON<sup>†</sup> tape. With propane gas, piping or tubing size can be 1/2" (13 mm) minimum. Usually, propane gas suppliers determine size and materials used in the system.



### Gas Supply Pressure Testing

A 1/8" (3 mm) NPT minimum plugged tapping, accessible for gauge testing, must be installed immediately downstream of the installed shut-off valve to the dryer (as shown above). The dryer must be disconnected from the gas supply piping system during any pressure testing of the system at test pressures in excess of 1/2" psig (352 kg/m<sup>2</sup>).

### Alternate Method

The gas supply may also be connected using 3/8" (10 mm) approved copper or aluminum tubing. If the total length of the supply line is more than 20 ft. (6.1 m), larger tubing will be required.

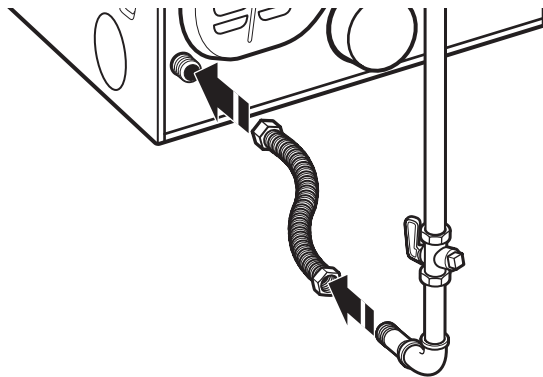
If using natural gas, do not use copper tubing. Pipe joint compounds that resist action of type of gas supplied must be used.

### Shut-off valve required

The supply line must be equipped with a manual shut-off valve installed within 6 ft. (1.8 m) of dryer in accordance with National Fuel Gas Code, ANSI Z223.1. This valve should be located in same room as dryer. It should be in a location that allows ease of opening and closing. Do not block access to shut-off valve.

### Flexible Metal Appliance Connector

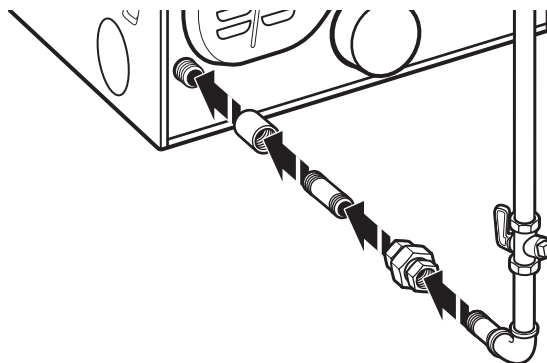
It is recommended that a new flexible stainless steel gas line, design-certified by CSA International, be used for connecting the dryer to the gas supply line (the gas pipe which extends through the lower rear of the dryer is provided with 3/8" [10 mm] male pipe thread).



**NOTE:** Do not kink or damage the flexible stainless steel gas line when moving the dryer.

### Rigid Pipe Connection

The rigid pipe connection requires a combination of pipe fittings to obtain an in-line connection to dryer.



<sup>†</sup>TEFLON is a registered trademark of Chemours.



# INSTALLING STACKED WASHER/DRYER

## Remove Transport System

**NOTE:** Slide washer/dryer onto cardboard or hardboard before moving to avoid damaging floor covering.

### **⚠ WARNING**

#### **Excessive Weight Hazard**

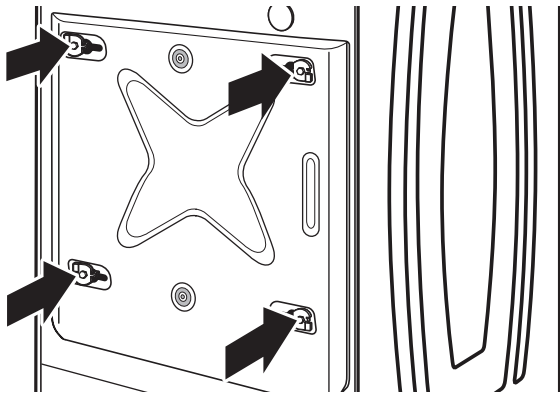
**Use two or more people to move and install washer/dryer.**

**Failure to do so can result in back or other injury.**

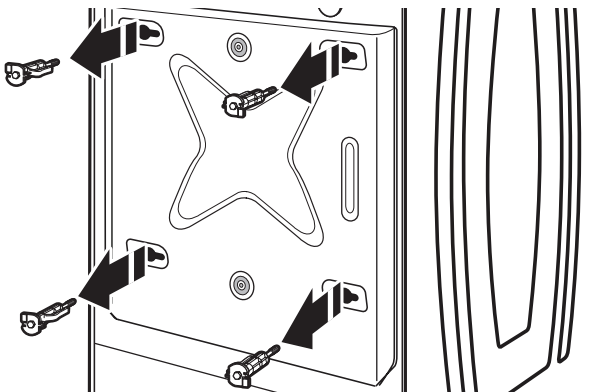
**IMPORTANT:** Position the washer/dryer so that the rear of the washer is within approximately 3 ft. (900 mm) of its final location.

There are four shipping bolts in the rear panel of the washer that support the suspension system during transportation. These bolts also retain the power cord inside the washer until the bolts are removed.

1. Keep the washer/dryer in the upright position while removing the shipping bolts.
2. Using a 1/2" (13 mm) wrench, loosen each of the bolts.

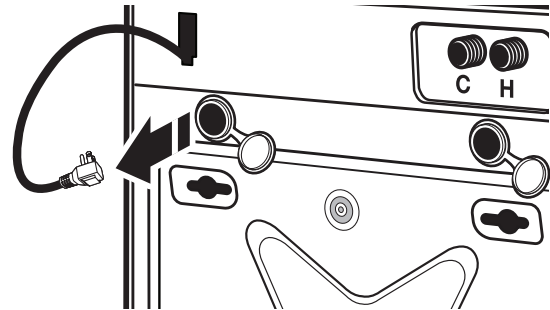
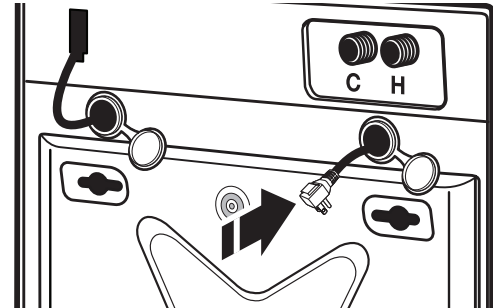


3. Once the bolt is loose, move it to the center of the hole and completely pull out the bolt, including the plastic spacer covering the bolt. Once all four bolts are removed, discard the bolts and spacers.

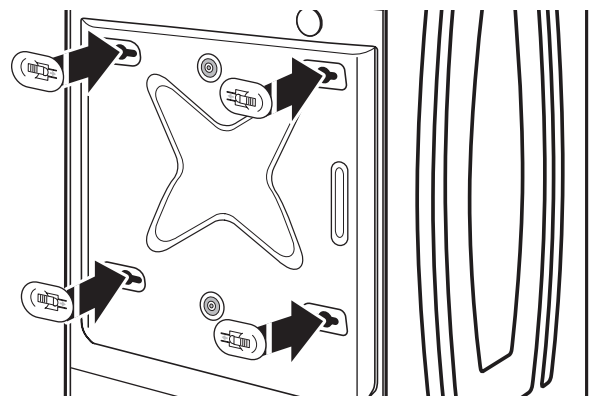


4. Models with separate washer power cords: Push the power cord plug into the opening on the right side of the rear panel and pull the power cord through the opening on the left side of the rear panel and close holes with the attached cap. Do not pull plug end of power cord through the right side hole.

**NOTE:** To avoid damage to internal washer parts or the power cord, if the cord does not pull out of the washer rear panel easily, do not force it. Remove the washer rear panel and guide the power cord around the obstruction and out the hole on the left side of the rear panel.



5. Close the bolt holes with the four transport bolt hole plugs.

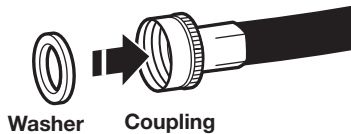


**IMPORTANT:** If the washer/dryer is to be transported, call your product distributor or installer. To avoid suspension and structural damage, your washer/dryer must be properly set up for relocation by a trained professional.

# INSTALLING STACKED WASHER/DRYER

## Connect Inlet Hoses

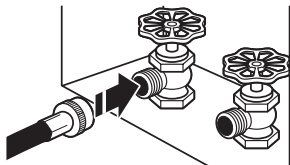
Insert new hose washers (supplied) into each end of the inlet hoses. Firmly seat the washers in the couplings.



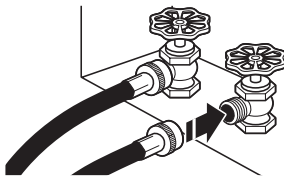
## Connect Inlet Hoses to Water Faucets

Make sure the washer drum is empty.

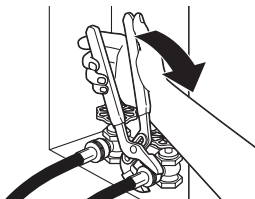
1. Attach a hose to the hot water faucet. Screw on coupling by hand until it is seated on the washer.



2. Attach a hose to the cold water faucet. Screw on coupling by hand until it is seated on the washer.



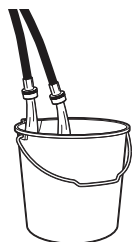
3. Using pliers, tighten the couplings with an additional two-thirds turn.



**NOTE:** Do not overtighten or use tape or sealants on the valve. Damage to the valves can result.

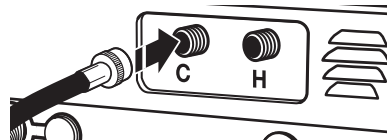
## Clear Water Lines

- Run water through both faucets and inlet hoses, into a laundry tub, drainpipe, or bucket, to get rid of particles in the water lines that might clog the inlet valve screens.
- Check the temperature of the water to make sure that the hot water hose is connected to the hot water faucet and that the cold water hose is connected to the cold water faucet.

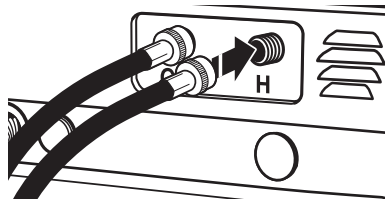


## Connect Inlet Hoses to Washer

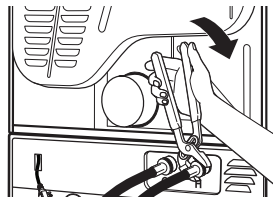
1. Attach the cold water hose to the washer's cold water inlet valve. Screw on coupling by hand until it is seated on the washer.



2. Attach the hot water hose to the washer's hot water inlet valve. Screw on coupling by hand until it is seated on the washer.

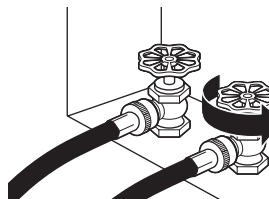


3. Using pliers, tighten the couplings with an additional two-thirds turn.



**NOTE:** Do not overtighten. Damage to the valve can result.

4. Turn on the water faucets completely and check for leaks.



**NOTE:** Replace inlet hoses after 5 years of use to reduce the risk of hose failure. Record hose installation or replacement dates on the hoses for future reference.

Periodically inspect and replace hoses if bulges, kinks, cuts, wear, or leaks are found.

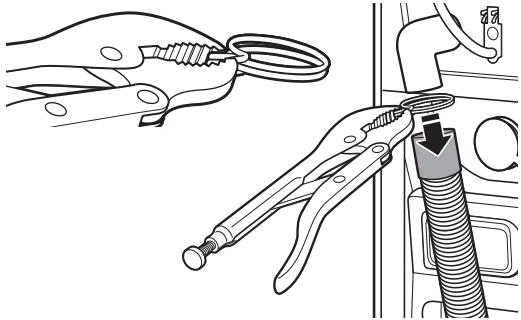
# INSTALLING STACKED WASHER/DRYER

## Route Drain Hose

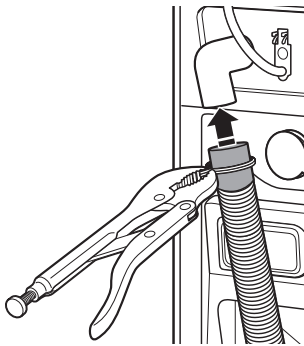
Proper routing of the drain hose avoids damage to your floor due to water leakage. Read and follow these instructions.

### Remove drain hose from the washer drum

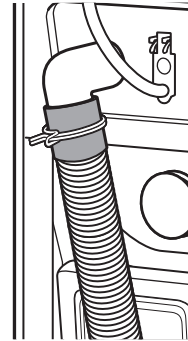
1. Using locking pliers, squeeze hose clamp tabs together and insert over the end of the drain hose.



2. Slide the drain hose onto the washer connection.



3. Once the drain hose is in place, release the pliers.



4. The washer drain system can be installed using a floor drain, wall standpipe, floor standpipe, or laundry tub.

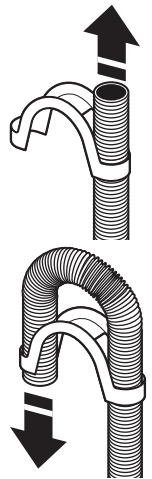
### Laundry tub drain or standpipe drain

Connect the drain hose form to the corrugated drain hose.

Snap either end of the drain hose form to the drain hose at the point where the corrugation begins.

Bend drain hose over drain hose form and snap into place.

**NOTE:** Hose must not extend more than 1" (25 mm) past the end of the U bend.



### To keep drain water from going back into the washer:

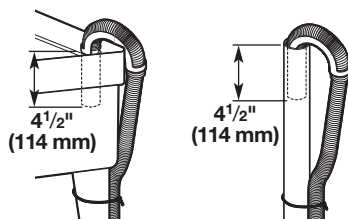
- Do not straighten the drain hose; do not force excess drain hose into standpipe. Hose should be secure, but loose enough to provide a gap for air.
- Do not lay excess hose on the bottom of the laundry tub.

### Floor drain

You may need additional parts. See "Alternate Parts."

## Secure Drain Hose

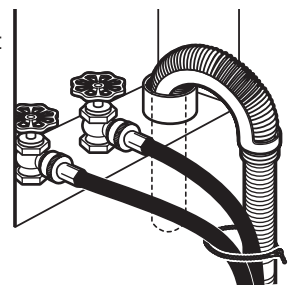
1. Drape the power cord over the washer top.
2. Move the washer to its final location.
3. Place the drain hose in the laundry tub or standpipe as shown.
4. Secure the drain hose using the supplied beaded tie strap.



5. If the washer faucets and the drain standpipe are recessed, put the hooked end of the drain hose in the standpipe as shown.

### NOTES:

- Do not force excess drain hose back into the rear of the washer.
- To avoid siphoning, do not seal the drain hose into the standpipe.



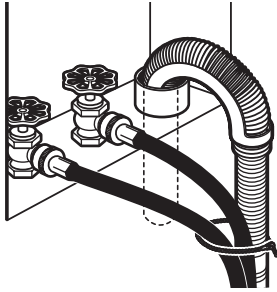
# WASHER DRAIN SYSTEM

The washer can be installed using the standpipe drain system (floor or wall), the laundry tub drain system, or the floor drain system.

## Standpipe drain system – wall or floor

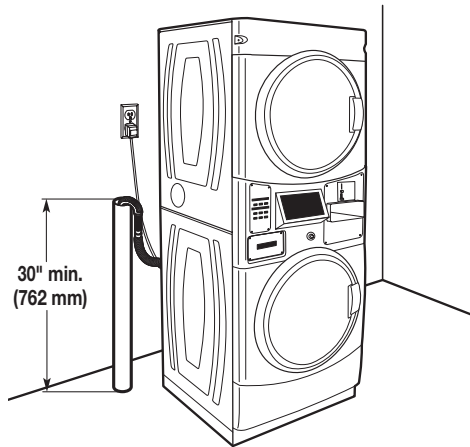
The standpipe drain requires a minimum diameter standpipe of 2" (51 mm). The minimum carry-away capacity can be no less than 10 gal. (38 L) per minute.

### Wall



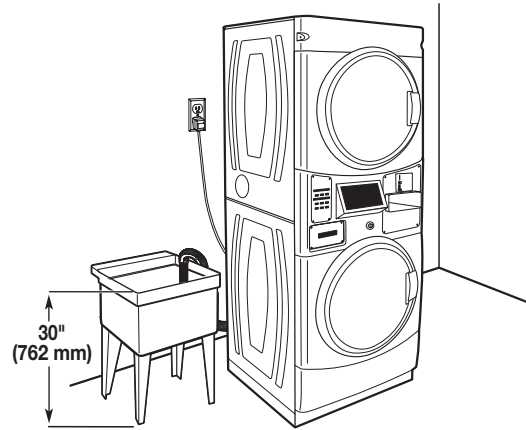
The top of the standpipe must be at least 30" (762 mm) high and no higher than 96" (2.4 m) from the bottom of the washer.

### Floor



## Laundry tub drain system

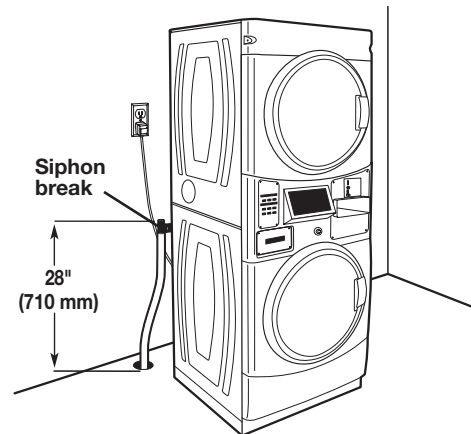
The laundry tub needs a minimum 20 gal. (76 L) capacity. The top of the laundry tub must be at least 30" (762 mm) above the floor.





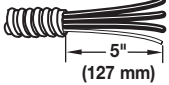
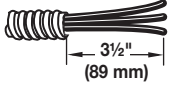
## Floor drain system

The floor drain system requires a siphon break that may be purchased separately.

The siphon break (Part Number 285834) must be a minimum of 28" (710 mm) from the bottom of the washer. Additional hoses might be needed.



# ELECTRIC DRYER ELECTRICAL CONNECTIONS

Electrical Connection Options			
If your location has:		And you will be connecting to:	Go to Section
4-wire receptacle (NEMA Type 14-30R)		A UL Listed, 120/240 volt minimum, 30 amp dryer power supply cord*	Power supply cord, 4-wire connection
3-wire receptacle (NEMA type 10-30R)		A UL Listed, 120/240 volt minimum, 30 amp dryer power supply cord*	Power supply cord, 3-wire connection
4-wire direct		A fused disconnect or circuit breaker box*	Direct wire, 4-wire connection
3-wire direct		A fused disconnect or circuit breaker box*	Direct wire, 3-wire connection

\* If local codes do not permit the connection of a cabinet-ground conductor to the neutral wire, go to "Optional, 3-wire connection" section.

## Power Supply Cord

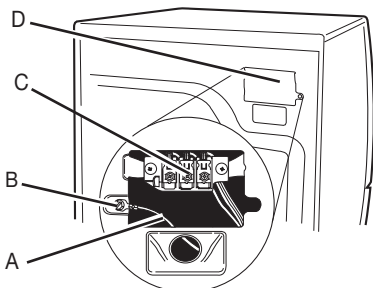
### **WARNING**



#### Fire Hazard

- Use a new UL listed 30 amp power supply cord.
- Use a UL listed strain relief.
- Disconnect power before making electrical connections.
- Connect neutral wire (white or center wire) to center terminal.
- Ground wire (green or bare wire) must be connected to green ground connector.
- Connect remaining 2 supply wires to remaining 2 terminals (gold).
- Securely tighten all electrical connections.
- Failure to do so can result in death, fire, or electrical shock.

1. Disconnect power.
2. Remove the hold-down screw and terminal block cover.



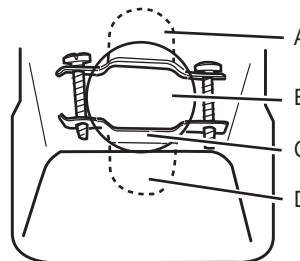
- A. Neutral ground wire
- B. External ground conductor screw
- C. Center terminal block screw
- D. Terminal block cover and hold-down screw

3. Install power supply cord strain relief.

#### Power supply cord strain relief:

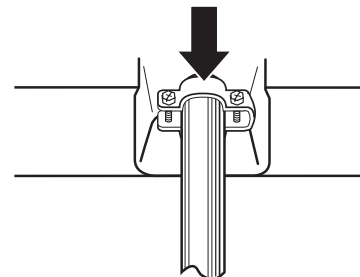
- Remove the screws from a 3/4" (19 mm) UL Listed strain relief. Put the tabs of the two clamp sections into the hole below the terminal block opening so that one tab is pointing up and the other is pointing down, and hold in place.

Tighten strain relief screws enough to hold the two clamp sections together.



- A. Strain relief tab pointing up
- B. Hole below terminal block opening
- C. Clamp section
- D. Strain relief tab pointing down

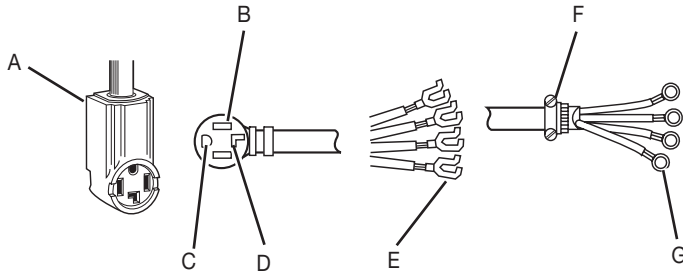
- Put power supply cord through the strain relief. Be sure that the wire insulation on the power supply cord is inside the strain relief. The strain relief should have a tight fit with the dryer cabinet and be in a horizontal position. Do not further tighten strain relief screws at this point.



# ELECTRIC DRYER ELECTRICAL CONNECTIONS

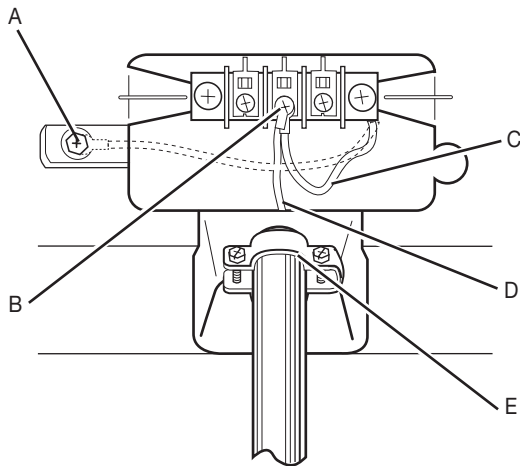
## Power supply cord, 4-wire connection:

**IMPORTANT:** A 4-wire connection is required where local codes do not permit the use of 3-wire connections.



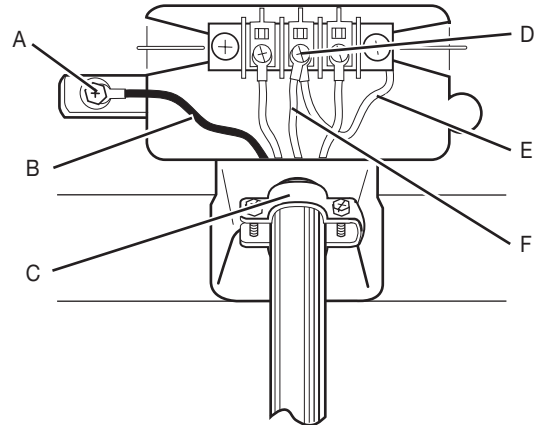
- A. 4-wire receptacle (NEMA type 14-30R)
- B. 4-prong plug
- C. Ground prong
- D. Neutral prong
- E. Spade terminals with upturned ends
- F. 3/4" (19 mm) UL Listed strain relief
- G. Ring terminals

1. Remove center terminal block screw.
2. Remove neutral ground wire from external ground conductor screw. Connect neutral ground wire and the neutral wire (white or center wire) of power supply cord under center terminal block screw. Tighten screw.



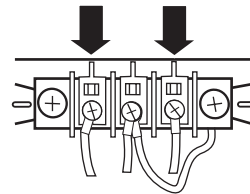
- A. External ground conductor screw – Dotted line shows position of NEUTRAL ground wire before being moved to center terminal block screw.
- B. Center terminal block screw
- C. Neutral ground wire
- D. Neutral wire (white or center wire)
- E. 3/4" (19 mm) UL Listed strain relief

3. Connect ground wire (green or bare) of power supply cord to external ground conductor screw. Tighten screw.



- A. External ground conductor screw
- B. Ground wire (green or bare) of power supply cord
- C. 3/4" (19 mm) UL Listed strain relief
- D. Center terminal block screw
- E. Neutral ground wire
- F. Neutral wire (white or center wire)

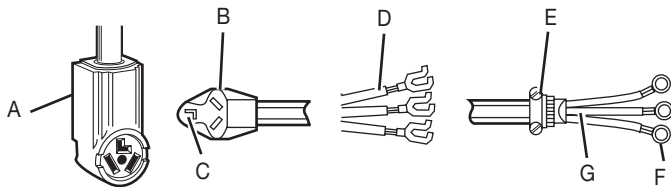
4. Connect the other wires to outer terminal block screws. Tighten screws.



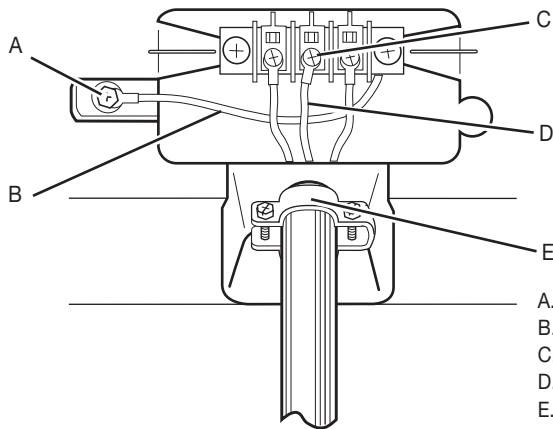
5. Tighten strain relief screws.
6. Insert tab of terminal block cover into slot of dryer rear panel. Secure cover with hold-down screw.
7. You have completed your electrical connection.

# ELECTRIC DRYER ELECTRICAL CONNECTIONS

## Power supply cord, 3-wire connection:



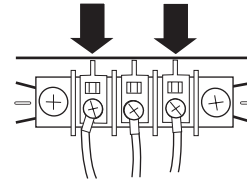
- A. 3-wire receptacle (NEMA type 10-30R)
- B. 3-wire plug
- C. Neutral prong
- D. Spade terminals with upturned ends
- E. 3/4" (19 mm) UL Listed strain relief
- F. Ring terminals
- G. Neutral (white or center wire)



- A. External ground conductor screw
- B. Neutral ground wire
- C. Center terminal block screw
- D. Neutral wire (white or center wire)
- E. 3/4" (19 mm) UL Listed strain relief

## Use where local codes permit connecting cabinet-ground conductor to neutral wire.

1. Loosen or remove center terminal block screw.
2. Connect neutral wire (white or center wire) of power supply cord to the center terminal screw of the terminal block. Tighten screw.
3. Connect the other wires to outer terminal block screws. Tighten screws.



4. Tighten strain relief screws.
5. Insert tab of terminal block cover into slot of dryer rear panel. Secure cover with holddown screw.
6. You have completed your electrical connection.



# ELECTRIC DRYER ELECTRICAL CONNECTIONS

## Direct Wire Method

### **⚠ WARNING**



#### Fire Hazard

Use 10 gauge copper wire.

Use a UL listed strain relief.

Disconnect power before making electrical connections.

Connect neutral wire (white or center wire) to center terminal.

Ground wire (green or bare wire) must be connected to green ground connector.

Connect remaining 2 supply wires to remaining 2 terminals (gold).

Securely tighten all electrical connections.

Failure to do so can result in death, fire, or electrical shock.

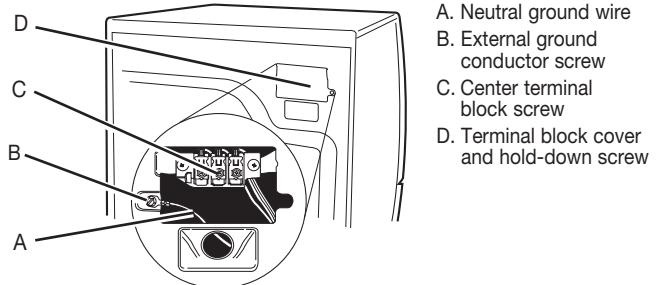
Direct wire cable must match power supply (4-wire or 3-wire) and be:

- Flexible armored cable or nonmetallic sheathed copper cable (with ground wire), protected with flexible metallic conduit. All current-carrying wires must be insulated.

- 10 gauge copper wire (do not use aluminum).

- At least 5 ft. (1.52 m) long.

1. Disconnect power.
2. Remove hold-down screw and terminal block cover.

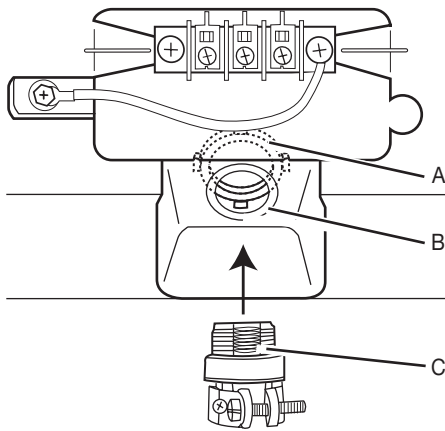


3. Install direct wire strain relief.
4. Complete installation following instructions for your type of electrical connection:

- 4-wire (recommended method)
- 3-wire (if four-wire is not available)

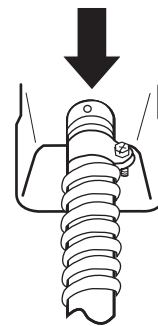
#### Direct wire strain relief:

- Unscrew the removable conduit connector and any screws from a 3/4" (19 mm) UL Listed strain relief. Put the threaded section of the strain relief through the hole below the terminal block opening. Reaching inside the terminal block opening, screw the removable conduit connector onto the strain relief threads.



- A. Removable conduit connector
- B. Hole below terminal block opening
- C. Strain relief threads

- Put direct wire cable through the strain relief. The strain relief should have a tight fit with the dryer cabinet and be in a horizontal position. Tighten strain relief screw against the direct wire cable.

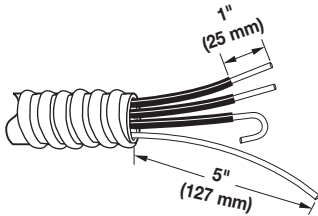


# ELECTRIC DRYER ELECTRICAL CONNECTIONS

## Direct wire, 4-wire connection:

**IMPORTANT:** A 4-wire connection is required where local codes do not permit the use of 3-wire connections. Direct wire cable must have 5 ft (1.52 m) of extra length so dryer can be moved if needed.

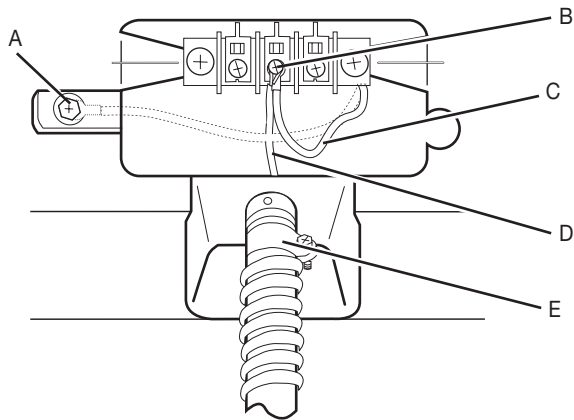
Strip 5" (127 mm) of outer covering from end of cable, leaving bare ground wire at 5" (127 mm). Cut 1½" (38 mm) from three remaining wires. Strip insulation back 1" (25 mm). Shape ends of wires into a hook shape.



When connecting to the terminal block, place the hooked end of the wire under the screw of the terminal block (hook facing right), squeeze hooked end together, and tighten screw, as shown.

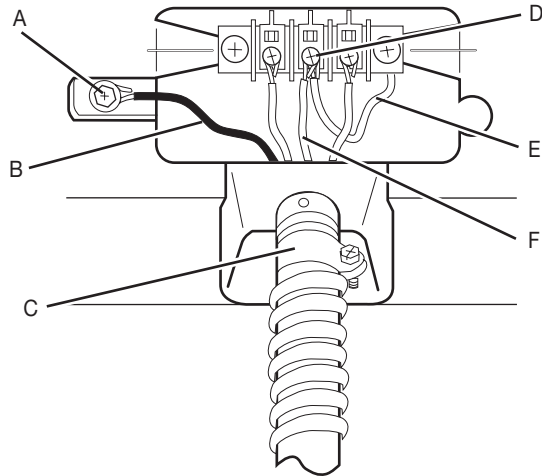


1. Remove center terminal block screw.
2. Remove neutral ground wire from external ground conductor screw. Connect neutral ground wire and place the hooked end (hook facing right) of the neutral wire (white or center wire) of direct wire cable under the center screw of the terminal block. Squeeze hooked ends together. Tighten screw.



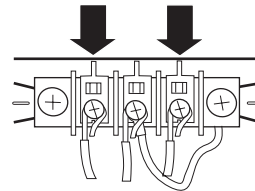
- A. External ground conductor screw – Dotted line shows position of NEUTRAL ground wire before being moved to center terminal block screw.
- B. Center terminal block screw
- C. Neutral ground wire
- D. Neutral wire (white or center wire)
- E. 3/4" (19 mm) UL Listed strain relief

3. Connect ground wire (green or bare) of direct wire cable to external ground conductor screw. Tighten screw.



- A. External ground conductor screw
- B. Ground wire (green or bare) of direct wire cable
- C. 3/4" (19 mm) UL Listed strain relief
- D. Center terminal block screw
- E. Neutral ground wire
- F. Neutral wire (white or center wire)

4. Place the hooked ends of the other direct wire cable wires under the outer terminal block screws (hooks facing right). Squeeze hooked ends together. Tighten screws.



5. Tighten strain relief screw.
6. Insert tab of terminal block cover into slot of dryer rear panel. Secure cover with hold-down screw.
7. You have completed your electrical connection.

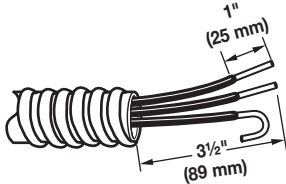
# ELECTRIC DRYER ELECTRICAL CONNECTIONS

## Direct wire, 3-wire connection:

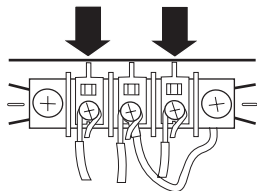
### Use where local codes permit connecting cabinet-ground conductor to neutral wire.

Direct wire cable must have 5 ft (1.52 m) of extra length so dryer can be moved if needed.

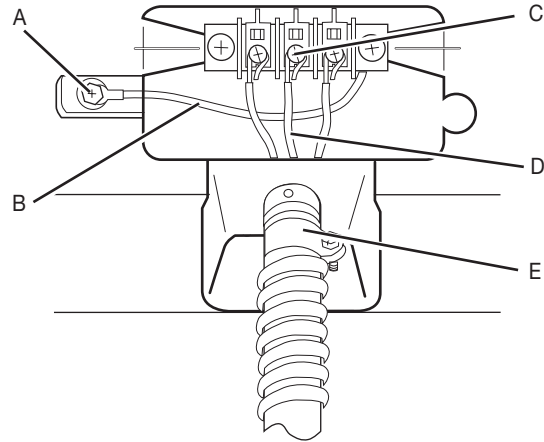
Strip 3½" (89 mm) of outer covering from end of cable. Strip insulation back 1" (25 mm). If using 3-wire cable with ground wire, cut bare wire even with outer covering. Shape ends of wires into a hook shape.



When connecting to the terminal block, place the hooked end of the wire under the screw of the terminal block (hook facing right), squeeze hooked end together, and tighten screw, as shown.



1. Loosen or remove center terminal block screw.
2. Place the hooked end of the neutral wire (white or center wire) of direct wire cable under the center screw of terminal block (hook facing right). Squeeze hooked end together. Tighten screw.



- A. External ground conductor screw
- B. Neutral ground wire
- C. Center terminal block screw
- D. Neutral wire (white or center wire)
- E. 3/4" (19 mm) UL Listed strain relief

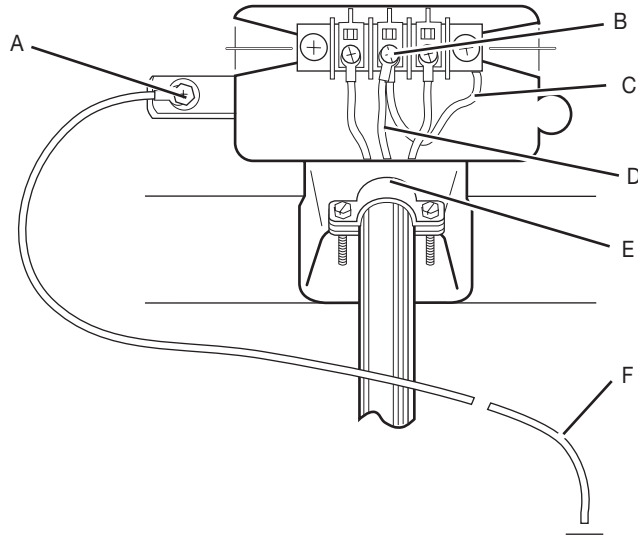
3. Place the hooked ends of the other direct wire cable wires under the outer terminal block screws (hooks facing right). Squeeze hooked ends together. Tighten screws.
4. Tighten strain relief screw.
5. Insert tab of terminal block cover into slot of dryer rear panel. Secure cover with hold-down screw.
6. You have completed your electrical connection.

# ELECTRIC DRYER ELECTRICAL CONNECTIONS

## Optional, 3-wire connection:

Use for direct wire or power supply cord where local codes do not permit connecting cabinet-ground conductor to neutral wire.

1. Remove center terminal block screw.
2. Remove neutral ground wire from external ground conductor screw. Connect neutral ground wire and the neutral wire (white or center wire) of power supply cord/cable under center terminal block screw. Tighten screw.
3. Connect the other wires to outer terminal block screws (hooks facing right). Tighten screws.
4. Tighten strain relief screws.
5. Connect a separate copper ground wire from the external ground conductor screw to an adequate ground.
6. Insert tab of terminal block cover into slot of dryer rear panel. Secure cover with hold-down screw.



- A. External ground conductor screw
- B. Center terminal block screw
- C. Neutral ground wire
- D. Neutral wire (white or center wire)
- E. 3/4" (19 mm) UL Listed strain relief
- F. Grounding path determined by a qualified electrician

## LEVELING

### Leveling Stacked Washer/Dryer

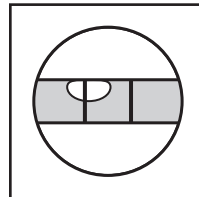
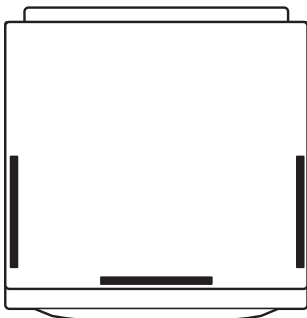
Leveling your washer/dryer properly reduces excess noise and vibration.

## **⚠️ WARNING**

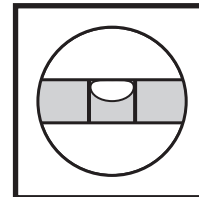
### **Excessive Weight Hazard**

**Use two or more people to move and install washer/dryer.  
Failure to do so can result in back or other injury.**

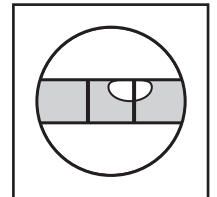
1. Remove cardboard from beneath washer/dryer. Place a level on top edges of washer/dryer, checking each side and front. If not level, tip washer/dryer and adjust feet up or down as shown in Steps 3 and 4, repeating as necessary.



Not Level



LEVEL

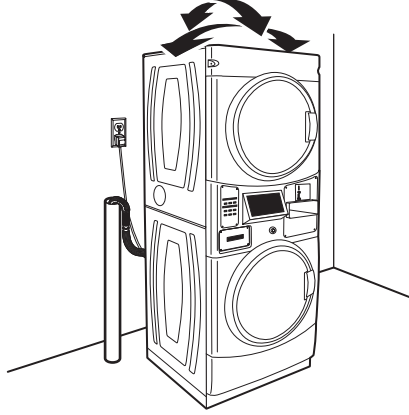


Not Level

# LEVELING

## Leveling Stacked Washer/Dryer (cont.)

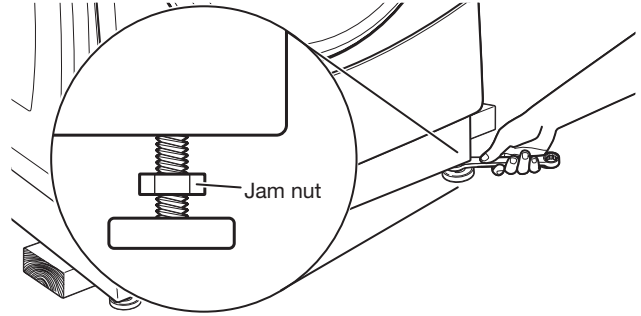
2. Grip washer/dryer from top and rock back and forth, making sure all four feet are firmly on floor. Repeat, rocking washer/dryer from side to side. If washer/dryer rocks, go to Step 3 and adjust leveling feet. If all four feet are in firm contact with floor, go to Step 4.



3. If washer/dryer is not level, use a 9/16" or 14 mm open-end or adjustable wrench to turn jam nuts clockwise (as viewed from above) on feet until they are about 1/2" (13 mm) from the washer/dryer cabinet. Then turn the leveling foot counterclockwise to lower the washer/dryer or clockwise

to raise the washer/dryer. Recheck levelness of washer/dryer and that all four feet are firmly in contact with the floor. Repeat as needed.

**HELPFUL TIP:** You may want to prop up front of washer/dryer about 4" (102 mm) with a wood block or similar object that will support weight of washer/dryer.



4. When washer/dryer is level and all four feet are firmly in contact with the floor, use a 9/16" or 14 mm open-end or adjustable wrench to turn jam nuts counterclockwise (as viewed from above) on leveling feet tightly against washer/dryer cabinet.

**HELPFUL TIP:** You may want to prop washer/dryer with wooden block.

## Complete Installation

1. Check the electrical requirements. Be sure that you have the correct electrical supply and the recommended grounding method. See "Electrical Requirements."
2. Check that all parts are now installed. If there is an extra part, go back through the steps.
3. Check that you have all of your tools.
4. Dispose of/recycle all packaging materials.
5. Check that the water faucets are on.
6. Check for leaks around faucets and inlet hoses.

8. To test and to clean your washer, measure half the detergent manufacturer's recommended amount of High Efficiency (HE) detergent for a medium-size load. Pour the detergent into the detergent dispenser. Select any cycle and allow the washer to complete one whole cycle.

9. Check dryer operation. Using a full heat cycle, let the dryer run for at least 5 minutes. Dryer will stop when time is used up.

**NOTE:** Dryer door must be closed for dryer to operate. When door is open, dryer stops, but timer continues to run. To restart dryer, close door and push cycle button.

If the burner does not ignite and you can feel no heat inside the dryer, shut off dryer for 5 minutes. Check that all supply valve controls are in "ON" position and that the electrical cord is plugged in. Repeat 5 minute test.

### **⚠ WARNING**



#### **Electrical Shock Hazard**

**Plug into a grounded 3 prong outlet.**

**Do not remove ground prong.**

**Do not use an adapter.**

**Do not use an extension cord.**

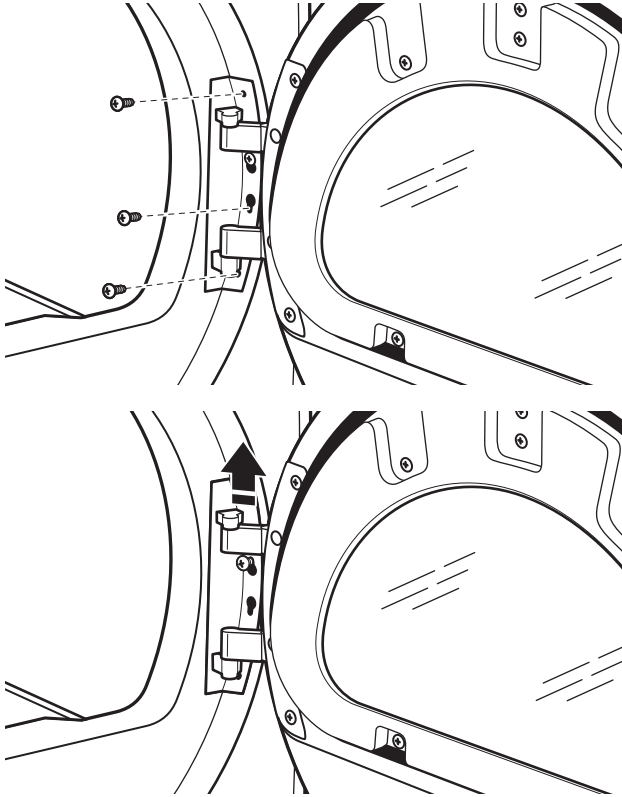
**Failure to follow these instructions can result in death, fire, or electrical shock.**

7. Plug into a grounded outlet, or connect power.

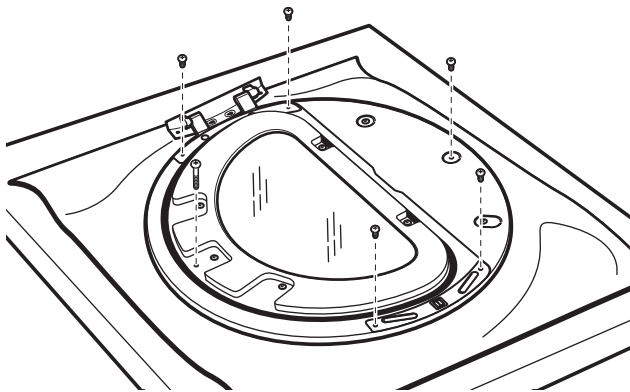
# REVERSING DRYER DOOR SWING (OPTIONAL)

## Remove the Door Assembly

1. Place a towel or soft cloth on top of dryer or work space to avoid scratching of the surface.
2. Remove three of the four screws that hold the door hinge on the front panel of the dryer. Partially loosen the remaining screw with keyhole opening and lift the door off the screw.

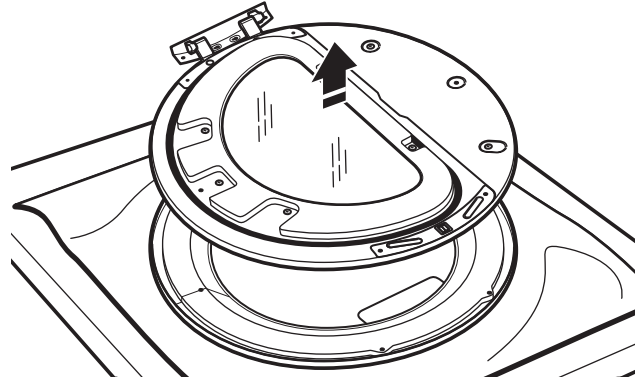


3. Lay the door assembly on a previously prepared flat surface with the inside (inner door assembly) facing up, and remove six Phillips head screws to release outer door assembly from inner door assembly.

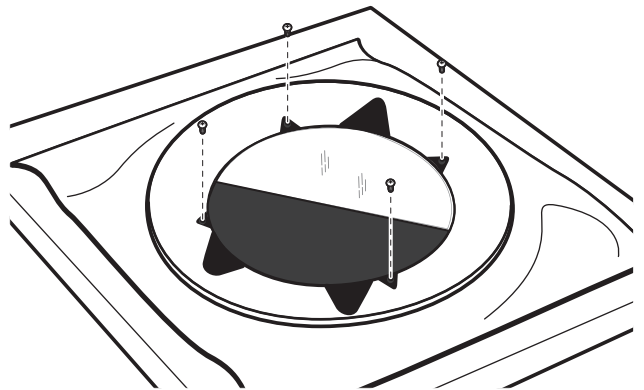


**NOTE:** It is important that you remove only the six indicated screws.

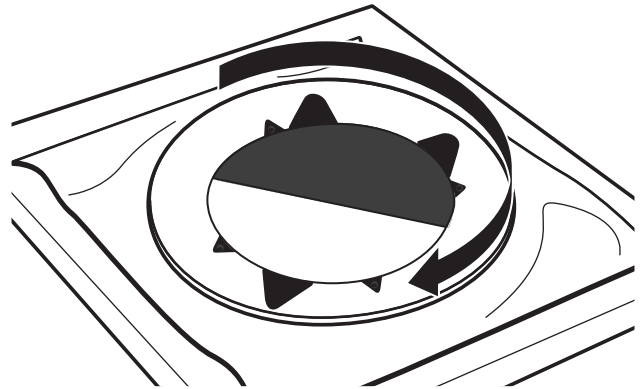
4. Lift the inner door assembly off outer door assembly.



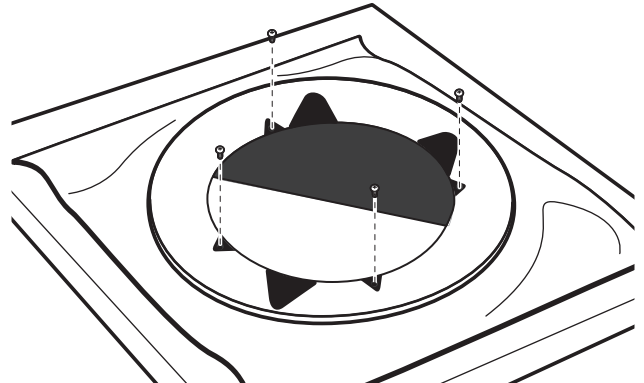
5. Remove four Phillips head screws to release center insert from outer door ring.



6. Lift and rotate center insert 180 degrees.



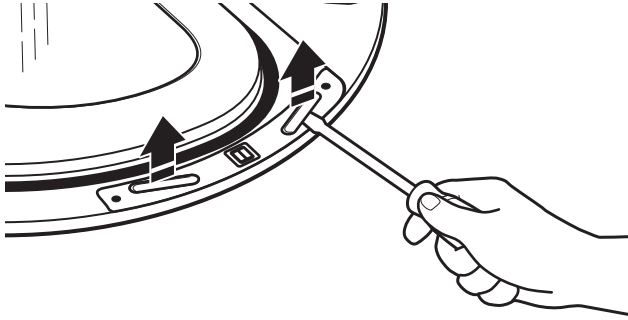
7. Reassemble the center insert and outer door ring with the four screws.



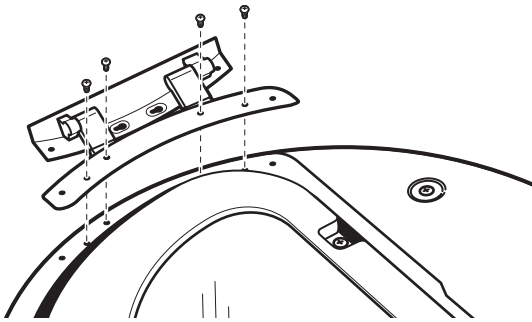
# REVERSING DRYER DOOR SWING (OPTIONAL)

## Reverse Hinge

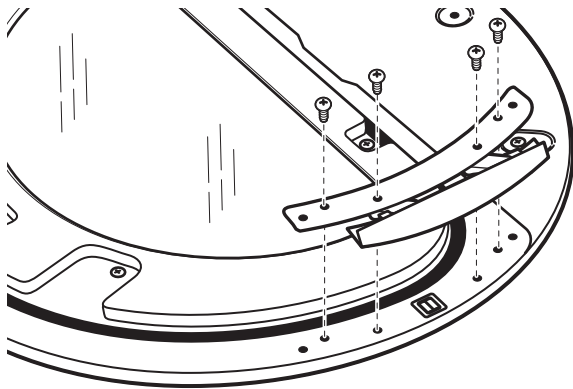
1. Use a small flat-blade screwdriver to remove two plug strips from the inner door. Slide the head of the screwdriver under the plugs, without scratching the inner door surface, and lift up the strip.



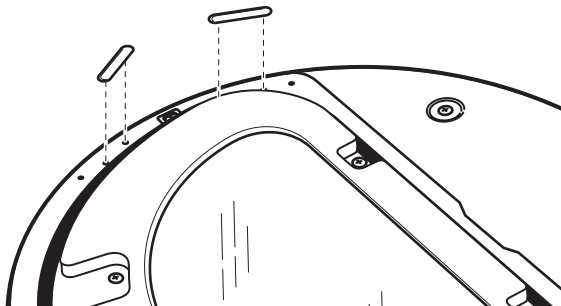
2. Remove the four screws that attach to inner door hinge.



3. Move hinge to other side. Reinstall four screws.



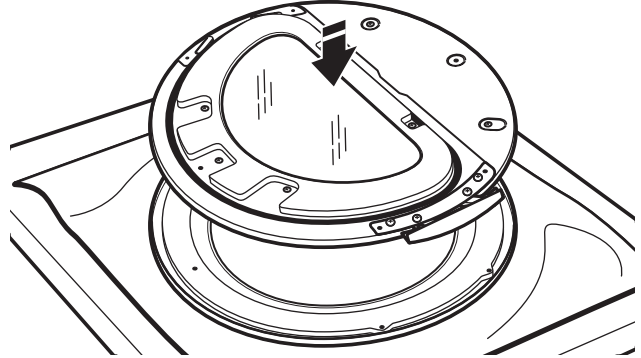
4. Reinstall plug strips on opposite side of the inner door.



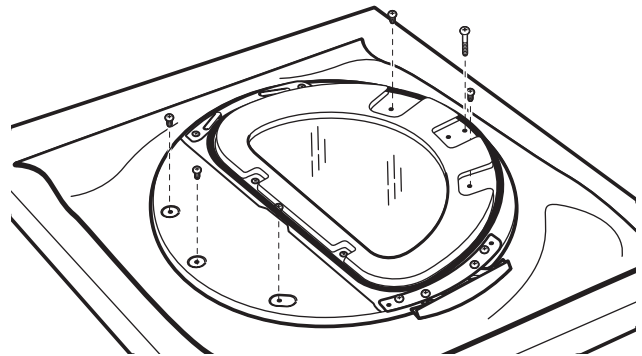
5. Check for fingerprints on the glass. Clean if necessary.

## Replace the Door Assembly

1. Place the inner door assembly inside the outer door assembly.

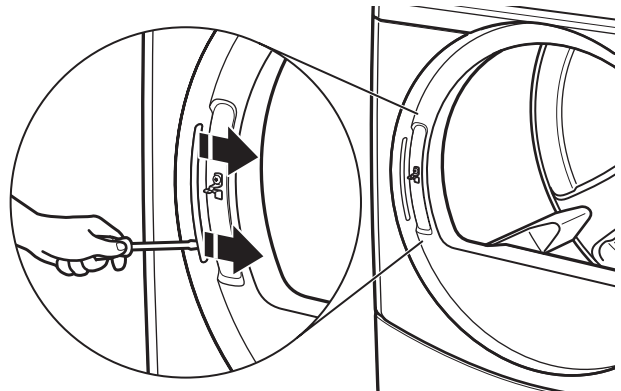


2. Reassemble the inner and outer door assemblies with the six screws.



## Reverse the Strike

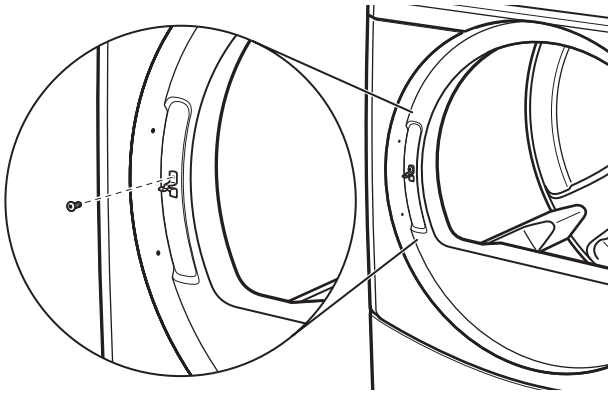
1. Use a small flat-blade screwdriver to remove the plug strip from the dryer door opening. Slide the head of the screwdriver under the plugs, without scratching the dryer surface, and lift up the strip.





# REVERSING DRYER DOOR SWING (OPTIONAL)

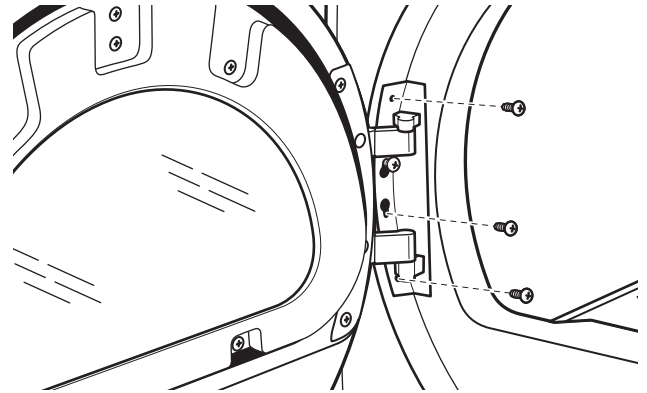
2. Remove the strike using a Phillips screwdriver.



3. Insert the strike on the opposite side.

## Reinstall the Door

1. Partially insert the third screw from the top, then slide the hinge onto this screw while hooking the hinge into the front panel hole. Reattach the door to the dryer front panel with the remaining three screws.



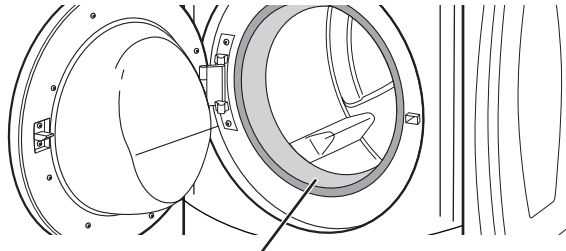
2. Check for fingerprints on the glass. Clean if necessary.
3. Close the door and verify that it latches securely.

# STACKED WASHER/DRYER MAINTENANCE INSTRUCTIONS

## Washer

### Cleaning the Door Seal/Bellow

1. Open the washer door and remove any clothing or items from the washer.
2. Inspect inner glass door. If debris is present, wipe it off using a damp cloth.
3. Inspect the colored seal/bellow between the door opening and the basket for stained areas. Pull back the seal/bellow to inspect all areas under the seal/bellow and to check for foreign objects.



Seal/bellow

4. If stained areas are found, wipe down these areas of the seal/bellow:
  - a) Mix a dilute solution, using 3/4 cup (177 mL) of liquid chlorine bleach, and 1 gal. (3.8 L) of warm tap water.
  - b) Wipe the seal/bellow area with the dilute solution, using a damp cloth.
  - c) Let stand 5 minutes.
  - d) Wipe down area thoroughly with a dry cloth and let the washer interior air dry with door open.

### IMPORTANT:

- Wear rubber gloves when cleaning for prolonged periods.
- Refer to the bleach manufacturer's instructions for proper use.

### Maintenance Instructions:

This washer has a special cycle that uses higher water volumes in combination with liquid chlorine bleach to thoroughly clean the inside of the washer.

### NOTES:

- Read these instructions completely before beginning the cleaning process.
- If necessary, the cleaning cycle may be interrupted by pressing the lower right (COLD) button twice. However, this will not immediately stop the cycle. The washer will continue with several rinse and drain steps to ensure that all remaining bleach is rinsed from the washer.

### To clean washer interior:

1. Open the washer door and remove any clothing or items from the washer.
2. **Use liquid chlorine bleach:**  
Open the dispenser drawer and immediately add 2/3 cup (160 mL) of liquid chlorine bleach to the bleach compartment.  
**NOTE:** Do not add any detergent. Use of more than 2/3 cup (160 mL) of bleach will cause product damage over time.
3. Close the washer door and the dispenser drawer.
4. To start the Washer Cleanout cycle, first enter "Service Mode." Then press and hold the lower right (COLD) button for 2 seconds. With the entire display flashing, press the center right (COLORS/DELICATES) button.  
To exit out of the service mode and activate the Washer Cleanout cycle, push the center right (COLORS/DELICATES) button, then turn the key.  
**NOTE:** The door will lock, the basket will rotate 1/2 turn, then the door will unlock and lock again, then the Washer Cleanout cycle will continue.
  - The washer will not fill, but the basket will rotate while the washer runs a short sensing cycle. This will take approximately 3 minutes.
5. The cycle will determine whether clothing or other items are in the washer.
  - a) If no items are detected in the washer, it will proceed to Step 7.
  - b) If any items are detected in the washer, "F-34" will be displayed. Then the door will unlock.
    - Enter the service mode and then press and hold the lower right (COLD) button to cancel the failure code. Then repeat Steps 1, 3, and 4 to start the cycle again.
6. Once the cycle has begun, allow the cycle to complete.
7. After the cycle is complete, leave the door open slightly to allow for better ventilation and drying of washer interior.

# STACKED WASHER/DRYER MAINTENANCE INSTRUCTIONS

---

## Washer

---

### Always do the following to maintain washer freshness:

- Use only “HE” High Efficiency detergent.
- Leave the door slightly open after each cycle to allow for better ventilation and drying of washer interior.
- Clean the washer monthly (see “To clean washer interior”), using 2/3 cup (160 mL) of liquid chlorine bleach.
- If the procedure does not sufficiently improve the washer freshness, please evaluate your installation and usage conditions for other causes.

### Cleaning the exterior

Use a soft damp cloth or sponge to wipe up any spills. Occasionally wipe the outside of your washer to keep it looking new. Use mild soap and water. Do not use abrasive products.

### Cleaning the dispenser drawer

The dispenser drawer is removable for easy cleaning.

1. Unlock the dispenser drawer for removal by inserting a flat-blade screwdriver into the catch release. Remove the dispenser drawer.
2. Remove the inserts (the siphon from the softener and bleach compartments).
3. Wash the parts under running water.

**NOTE:** Do not wash components in the dishwasher.

4. Replace the inserts and return the dispenser to the drawer.

### Water inlet hoses

Replace the inlet hoses after 5 years of use to reduce the risk of hose failure. Periodically inspect and replace inlet hoses if bulges, kinks, cuts, wear, or leaks are found.

When replacing your inlet hoses, record the date of replacement.

## Dryer

---

### Maintenance instructions:

- Clean lint screen before and after each cycle.
- Removing accumulated lint:
  - From inside the dryer cabinet:  
Lint should be removed every 2 years or more often, depending on dryer usage. Cleaning should be done by a qualified person.
  - From the exhaust vent:  
Lint should be removed every 2 years, or more often, depending on dryer usage.
- Keep area around dryer clear and free from combustible materials, gasoline, and other flammable vapors and liquids.
- Keep dryer area clear and free from items that would obstruct the flow of combustion and ventilation air.

### If dryer does not operate, check the following:

- Electrical supply is connected.
- Circuit breaker is not tripped or house fuse is not blown.
- Door is closed. Listen closely to hear the door switch activate.
- Cycle selection button has been pushed firmly.
- For gas dryers, check that gas supply shut-off valves are set in open position.

---

## IF YOU NEED ASSISTANCE

---

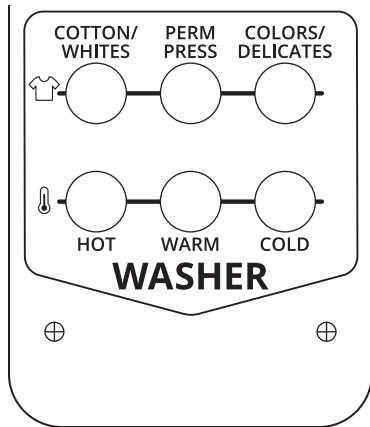
Contact your authorized Whirlpool® Commercial Laundry distributor. To locate your authorized Whirlpool® Commercial Laundry distributor, or for web inquiries, visit [www.WhirlpoolCommercialLaundry.com](http://www.WhirlpoolCommercialLaundry.com).

If you cannot locate your distributor, the Commercial Laundry Support Center will answer any questions about operating or maintaining your washer/dryer not covered in the Installation Instructions.

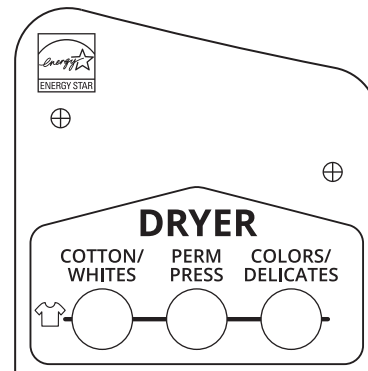
Just dial **1-800 NO BELTS (1-800-662-3587)** — the call is toll free.

When you call, you will need the washer/dryer model numbers and serial numbers. Both numbers can be found on the serial-rating plate located in the dryer door well.

# ELECTRONIC CONTROL SET-UP INSTRUCTIONS



Washer control



Dryer control

**NOTE:** After the washer/dryer has been installed and plugged in, the display will show “0 MINUTES” on the washer and dryer portions of the display. After the washer and dryer doors have been opened and closed, the display will show the price for both the washer and dryer. On washer/dryers set for free cycles, the display sections will flash “SELECT CYCLE.”

**1. With a coin drop attached:** Insert coins until “SELECT CYCLE” flashes on the display portion of the washer or dryer that is to be run.

Alternately, Generation 1 or 2 debit card systems may be used; however, when the Generation 2 debit system is used, the controls will automatically be set to Enhanced Debit mode (J. Ed). In Enhanced Debit mode, the card balance will also display when a debit card is inserted into the reader.

**2.** Door must be closed on the desired washer/dryer before cycle selection is made.

**3.** Press the fabric setting button for the washer/dryer cycle desired. For washer cycles, also select the desired wash temperature. After the cycle is started, the time will display and count down.

**4.** If a cycle is interrupted by opening the door or power loss, “RESELECT CYCLE” will flash in the display. To restart the washer/dryer, close door and reselect desired cycle.

**NOTE:** When set for free vend operation, an ongoing dryer cycle will cancel if the door is opened.

## General Washer/Dryer User Information

**SCROLLING “OUT OF ORDER” FOLLOWED BY DIAGNOSTIC CODE SHOWING IN DISPLAY** – This condition indicates the washer or dryer is inoperative. Diagnostic codes being displayed on the upper portion of the display pertain to the dryer section, and diagnostic codes displayed on the lower portion of the display apply to the washer section. Diagnostic codes displayed on both the upper and lower portions of the display pertain to the control system of both the washer and dryer.

**“0 MINUTES” SHOWING IN DISPLAY** – This indicates the cycle is complete and the washer/dryer cannot be operated. Coins dropped or debit inputs during this condition will be stored in escrow but cannot be used until normal operation is restored by opening and closing the door. If a door switch has failed, causing “0 MINUTES” to remain in the display after the door is opened and closed, it must be replaced before normal operation can be restored.

**COLD START (Initial use)** – Washer/dryer is programmed at the factory as follows:

<b>Washer</b>	11 minute wash period
	\$2.00 wash price
	3 rinses (extra rinse not enabled)
<b>Dryer</b>	5 minutes per quarter
	\$1.50 dry price (fixed cycle with top off)

# ELECTRONIC CONTROL SET-UP INSTRUCTIONS

**WARM START (after power failure)** – A few seconds after power is restored, if a cycle was in progress at the time of the power failure, “RESELECT CYCLE” will flash in the display, indicating the need for a key press to restart washer or dryer.

**WASHER DOOR LOCK** – Prior to beginning a cycle, there is a door lock routine of lock/unlock/relock, then cycle begins. The door will remain locked until the end of a cycle or approximately 2 minutes after a power interruption.

**PRICING** – After the door is opened and then closed following the completion of a cycle, the display indicates the cycle price (unless set for free operation, where the display will flash “SELECT CYCLE”). As coins are dropped or debit inputs arrive, the display will change to lead the user through the initiation of a cycle.

## There are four (4) types of dryer pricing:

### Fixed “Vend” Pricing

A dryer set up for “Fixed Cycle” operation can only accept additional time accumulated by increments equal to the length of a complete dry cycle. A maximum of 99 minutes may be purchased; no additional credit is given for coins dropped with 99 minutes in the display.

### Accumulator Pricing

If the price is set to one coin 1, then accumulator pricing is in effect. Cycle time can be purchased one coin at a time up to the maximum time of 99 minutes.

### Fixed Cycle With Top Off Pricing

A dryer set to offer “Top Off” capability will allow time to be added to an existing dry cycle in increments equal to the number of minutes of dry time per quarter (coin 1), up to 99 minutes, regardless of the cost required to start the dryer. No credit is given for coins or debit inputs entered when the control is displaying 99 minutes.

In Enhanced Debit Mode, the top off price can be set independently (see VALUE OF COIN 2), and the top off time is calculated according to the following equation:

$$\text{top off time} = \frac{\text{top off price}}{\text{full cycle price}} \times \text{full cycle length}$$

Penny increment offset is not applied to top off purchases.

**FREE CYCLES** – This is established by setting the cycle price to zero. When this happens, “SELECT CYCLE” will appear rather than a cycle price. Any cycle started as a free cycle will automatically terminate when the door is opened.

**DEBIT CARD READY** – This washer/dryer is debit card ready. It will accept a variety of debit card systems, but does NOT come with a debit card reader. Refer to the debit card reader manufacturer for proper washer/dryer set-up. In models converted to a Generation 1 debit card system, debit pulses represent the equivalent of one coin (coin 1).

## Control Set-up Procedures

**IMPORTANT:** Read all instructions before operating.

Insert service switch key and turn counterclockwise.

Once a Generation 2 debit card reader is installed (according to the reader manufacturer’s instructions), the set-up modes can be changed only by inserting a set-up card (supplied by the reader manufacturer) into the card slot. Inserting the service switch key and turning will only access the service mode.

The washer/dryer is now in set-up mode. The bottom temperature setting buttons and the lower portion of the display are used to set up the digital control for the washer. The upper three fabric setting buttons and the upper portion of the display are used to set up the controls for the dryer.

The display can contain four numbers and/or letters and a decimal point on both the top and bottom display portions. These are used to indicate the set-up codes and related code values available for use in programming the washer/dryer.

# ELECTRONIC CONTROL SET-UP INSTRUCTIONS

## Start Operating Set-Up

Washer/dryers are preset at the factory and do not require any programming. However, if you want to change the settings, follow the "Set-Up Codes" guide.

The first code shown in each segment is the factory default setting.

The set-up code is indicated by the one or two left-hand characters. The set-up code value is indicated by the two or three right-hand characters.

## Set-Up Codes

Code	Explanation
<b>6 06</b>	<b>REGULAR CYCLE PRICE (DRYER)</b>
<b>6 06</b>	Represents the number of quarters (coin 1) needed to start the dryer; may adjust from 0–200 (See VALUE OF COIN 1). Advance from 0–200 by pressing the upper left (COTTON/WHITES) button. Factory default of 6 quarters = \$1.50. <ul style="list-style-type: none"> <li>Press the lower middle (WARM) button once to advance to next code.</li> </ul>
<b>6 08</b>	<b>REGULAR CYCLE PRICE (WASHER)</b>
<b>6 08</b>	Represents the number of quarters (coin 1) needed to start the washer; may adjust from 0–200 (See VALUE OF COIN 1). Increase by pressing the middle left (COTTON/WHITES) button, decrease by pressing the lower left (HOT) button. Factory default of 8 quarters = \$2.00. <ul style="list-style-type: none"> <li>Press the lower middle (WARM) button once to advance to next code.</li> </ul>
<b>7 05</b>	<b>REGULAR DRY TIME (DRYER)</b>
<b>7 05</b>	Represents the number of minutes per quarter (coin 1). Factory default of 5 minutes per coin. Example: 6 quarters x 5 minutes = 30 minutes. By pressing the upper left (COTTON/WHITES) button, value adjusts from 1–99 minutes. <ul style="list-style-type: none"> <li>Press the lower middle (WARM) button once to advance to next code.</li> </ul>
<b>7 11</b>	<b>WASH LENGTH (WASHER)</b>
<b>7 11</b>	This is the number of minutes for WASH. Washer comes from the factory preset with 11 minutes; may adjust from 9–17 minutes. Increase by pressing the middle left (COTTON/WHITES) button, decrease by pressing the lower left (HOT) button. <ul style="list-style-type: none"> <li>Press the lower middle (WARM) button once to advance to next code.</li> </ul>
<b>8 00</b>	<b>TYPE OF DRYER PRICING (DRYER)</b>
<b>8 00</b>	Fixed Cycle with Top Off. For detailed description, see "General Washer/Dryer User Information."
<b>8 FC</b>	<b>With Card Payment System:</b> Fixed Cycle. For detailed description, see "General Washer/Dryer User Information." Use the upper right (COLORS/DELICATES) button to change this selection. <ul style="list-style-type: none"> <li>Press the lower middle (WARM) button once to advance to next code.</li> </ul>
<b>8 00</b>	<b>ADDITIONAL RINSE OPTION (WASHER)</b>
	This option is either NOT SELECTED "00" or SELECTED "Ar."
<b>8 00</b>	Not Selected "00."
<b>8 Ar</b>	Selected "Ar." Press the lower right (COLD) button once to change this selection. <ul style="list-style-type: none"> <li>Press the lower middle (WARM) button once to advance to next code.</li> </ul>

Code	Explanation
<b>9 00</b>	<b>CYCLE COUNTER OPTION</b> This option is either NOT SELECTED "00" or SELECTED "0C."
<b>9 00</b>	Not Selected "00."
<b>9 0C</b>	Selected "0C" and not able to be deselected. Press the lower right (COLD) button three consecutive times to select "0C." Once selected "0C" it cannot be deselected. <ul style="list-style-type: none"> <li>Press the lower middle (WARM) button once to advance to next code.</li> </ul>

### If cycle counter (9 0C) is selected, the following is true:

1 00	Cycles in HUNDREDS	1 <u>02</u> = 200
2 00	Cycles in ONES	2 <u>25</u> = 25
TOTAL CYCLES = 225		

This is "VIEW ONLY" and cannot be cleared.

- Press the lower middle (WARM) button once to advance to next code.

Code	Explanation
<b>1. 00</b>	<b>MONEY COUNTER OPTION</b> This option is either NOT SELECTED "00" or SELECTED "0C."
<b>1. 00</b>	Not Selected "00."
<b>1. 0C</b>	Selected "0C." Press the lower right (COLD) button three consecutive times to select "0C" and three consecutive times to deselect (Not Selected "00"). Counter resets by going from "OFF" to "ON." Selected "0C" and not able to be deselected. To select "0C" and not able to be deselected, first select "0C," then within 2 seconds, press the lower right (COLD) button twice, the lower left (HOT) button once, and exit the set-up mode. <ul style="list-style-type: none"> <li>Press the lower middle (WARM) button once to advance to next code.</li> </ul>
<b>1. C0</b>	Selected "C0" and not able to be deselected. To select "C0" and not able to be deselected, first select "0C," then within 2 seconds, press the lower right (COLD) button twice, the lower left (HOT) button once, and exit the set-up mode. <ul style="list-style-type: none"> <li>Press the lower middle (WARM) button once to advance to next code.</li> </ul>

### If money counter (1.0C or 1.C0) is selected, the following is true:

3 00	Dollars in HUNDREDS	3 <u>01</u> = \$100.00
4 00	Dollars in ONES	4 <u>68</u> = \$ 68.00
5 00	Number of CENTS	5 <u>75</u> = \$ 00.75
TOTAL = \$168.75		

Code	Explanation
<b>2. 00</b>	<b>SPECIAL PRICING OPTION</b> This option is either NOT SELECTED "00" or SELECTED "SP."
<b>2. 00</b>	Not Selected "00," and next available code will be A.00.
<b>2. SP</b>	Selected "SP" Press the lower right (COLD) button once to change this selection.

### If SPECIAL PRICING OPTION is selected, there is access to codes "3.XX" through "9.XX."

- Press the lower middle (WARM) button once to advance to next code.



# ELECTRONIC CONTROL SET-UP INSTRUCTIONS

## OPTIONS 3.XX – 9.XX TO USE IF SPECIAL PRICING IS SELECTED:

Code	Explanation
<b>3.06</b>	<b>SPECIAL CYCLE PRICE (DRYER)</b>
<b>3.06</b>	Represents the number of quarters (coin 1) to start the dryer; may adjust from 0–200 (See VALUE OF COIN 1). Advance from 0–200 by pressing the upper left (COTTON/WHITES) button. Factory default of 6 quarters = \$1.50. <ul style="list-style-type: none"> <li>• Press the lower middle (WARM) button once to advance to next code.</li> </ul>
<b>3.08</b>	<b>SPECIAL CYCLE PRICE (WASHER)</b>
<b>3.08</b>	Represents the number of quarters (coin 1) to start the washer; may adjust from 0–200 (See VALUE OF COIN 1). Increase by pressing the middle left (COTTON/WHITES) button, decrease by pressing the lower left (HOT) button. Factory default of 8 quarters = \$2.00. <ul style="list-style-type: none"> <li>• Press the lower middle (WARM) button once to advance to next code.</li> </ul>
<b>4.05</b>	<b>SPECIAL DRY TIME (DRYER)</b>
<b>4.05</b>	Represents the number of minutes per quarter (coin 1). Factory default of 5 minutes per coin. Example: 6 quarters x 5 minutes = 30 minutes. By pressing the upper left (COTTON/WHITES) button, the value can be adjusted from 1–99 minutes. <ul style="list-style-type: none"> <li>• Press the lower middle (WARM) button once to advance to next code.</li> </ul>
<b>5.00</b>	<b>TIME-OF-DAY CLOCK, MINUTES</b>
<b>5.00</b>	This is the TIME-OF-DAY CLOCK, minute setting; select 0–59 minutes by pressing the lower left (HOT) button. <ul style="list-style-type: none"> <li>• Press the lower middle (WARM) button once to advance to next code.</li> </ul>
<b>6.00</b>	<b>TIME-OF-DAY CLOCK, HOURS</b> <b>NOTE:</b> Uses military time or 24 hr. clock.
<b>6.00</b>	This is the TIME-OF-DAY CLOCK, hour setting; select 0–23 hours by pressing the lower left (HOT) button. <ul style="list-style-type: none"> <li>• Press the lower middle (WARM) button once to advance to next code.</li> </ul>
<b>7.00</b>	<b>SPECIAL PRICE START HOUR</b> <b>NOTE:</b> Uses military time or 24 hr. clock.
<b>7.00</b>	This is the START HOUR; 0–23 hours. Select START HOUR by pressing the lower left (HOT) button. <ul style="list-style-type: none"> <li>• Press the lower middle (WARM) button once to advance to next code.</li> </ul>
<b>8.00</b>	<b>SPECIAL PRICE STOP HOUR</b> <b>NOTE:</b> Uses military time or 24 hr. clock.
<b>8.00</b>	This is the STOP HOUR; 0–23 hours. Select STOP HOUR by pressing the lower left (HOT) button. <ul style="list-style-type: none"> <li>• Press the lower middle (WARM) button once to advance to next code.</li> </ul>

Code	Explanation																								
<b>9.10</b>	<b>SPECIAL PRICE DAY</b>																								
<b>9.10</b>	This represents the day of the week and whether special pricing is selected for that day. A number followed by “0” indicates no selection that particular day (9.10). A number followed by an “S” indicates selected for that day (9.1S). To change the value of “0” and “S,” use the lower right (COLD) button. Days of the week (1–7) are selected by pressing the lower left (HOT) button. When exiting set-up code “9,” the display must show the current day of week: <table border="1" style="margin: 10px auto; width: 80%;"> <thead> <tr> <th>DISPLAY</th> <th>DAY OF WEEK</th> <th>CODE (selected)</th> </tr> </thead> <tbody> <tr><td>10</td><td>Day 1=Sunday</td><td>1S</td></tr> <tr><td>20</td><td>Day 2=Monday</td><td>2S</td></tr> <tr><td>30</td><td>Day 3=Tuesday</td><td>3S</td></tr> <tr><td>40</td><td>Day 4=Wednesday</td><td>4S</td></tr> <tr><td>50</td><td>Day 5=Thursday</td><td>5S</td></tr> <tr><td>60</td><td>Day 6=Friday</td><td>6S</td></tr> <tr><td>70</td><td>Day 7=Saturday</td><td>7S</td></tr> </tbody> </table> <ul style="list-style-type: none"> <li>• Press the lower middle (WARM) button once to advance to next code.</li> </ul>	DISPLAY	DAY OF WEEK	CODE (selected)	10	Day 1=Sunday	1S	20	Day 2=Monday	2S	30	Day 3=Tuesday	3S	40	Day 4=Wednesday	4S	50	Day 5=Thursday	5S	60	Day 6=Friday	6S	70	Day 7=Saturday	7S
DISPLAY	DAY OF WEEK	CODE (selected)																							
10	Day 1=Sunday	1S																							
20	Day 2=Monday	2S																							
30	Day 3=Tuesday	3S																							
40	Day 4=Wednesday	4S																							
50	Day 5=Thursday	5S																							
60	Day 6=Friday	6S																							
70	Day 7=Saturday	7S																							
<b>A.00</b>	<b>VAULT VIEWING OPTION</b> This option is either NOT SELECTED “00” or SELECTED “SC.”																								
<b>A.00</b>	Not Selected “00.”																								
<b>A.SC</b>	Selected “SC.” Press the lower right (COLD) button once for this selection. When selected, the money and/or cycle counts will be viewable (if counter option[s] is selected) when the coin box is removed. <ul style="list-style-type: none"> <li>• Press the lower middle (WARM) button once to advance to next code.</li> </ul>																								
<b>b.05</b>	<b>VALUE OF COIN 1</b>																								
<b>b.05</b>	This represents the value of coin 1 in number of nickels: 05 = \$0.25. Increase between 1 and 200 nickels by pressing the middle left (COTTON/WHITES) button, decrease by pressing the lower left (HOT) button. <ul style="list-style-type: none"> <li>• Press the lower middle (WARM) button once to advance to next code.</li> </ul>																								
<b>C.20</b>	<b>VALUE OF COIN 2/ VALUE OF DRYER TOP OFF</b>																								
<b>C.20</b>	This represents the value of coin 2 in number of nickels: 20 = \$1.00. Increase between 1 and 200 nickels by pressing the middle left (COTTON/WHITES) button, decrease by pressing the lower left (HOT) button. <ul style="list-style-type: none"> <li>• Press the lower middle (WARM) button once to advance to next code.</li> </ul>																								
<b>E.00</b>	<b>ADD COINS OPTION</b> This option is either NOT SELECTED “00” or SELECTED “AC.” This option causes the customer display to show the number of coins (coin 1) to enter, rather than the dollars-and-cents amount.																								
<b>E.00</b>	Not Selected “00.”																								
<b>E.AC</b>	Selected “AC.” Press the lower right (COLD) button three consecutive times to change this selection. <ul style="list-style-type: none"> <li>• Press the lower middle (WARM) button once to advance to next code.</li> </ul>																								



# ELECTRONIC CONTROL SET-UP INSTRUCTIONS

Code	Explanation
<b>F. 00</b>	<b>ENHANCED PRICING OPTION</b>
<b>F. 00</b>	Not Selected "00."
<b>F. CP</b>	Cycle-Based pricing enabled. This option allows configuration of different prices for cold, warm, and hot water wash cycles.
<b>F. SU</b>	Super Cycle pricing enabled. This option allows customers to upgrade cycles by depositing extra money. Set-up codes "H." and "h." will be displayed only when this option is enabled. Press the lower right (COLD) button for this selection. <ul style="list-style-type: none"> <li>• Press the lower middle (WARM) button once to advance to next code.</li> </ul>
<b>H. 01</b>	<b>SUPER CYCLE UPGRADE PRICE</b> (Skipped unless Super Cycle pricing is enabled.)
<b>H. 01</b>	This represents the number of coin 1 required to upgrade a base cycle to a super cycle. Advance from 0–33 by pressing the lower left (HOT) button. <ul style="list-style-type: none"> <li>• Press the lower middle (WARM) button once to advance to next code.</li> </ul>
<b>h. 01</b>	<b>SUPER CYCLE TYPE</b> (Skipped unless Super Cycle pricing is enabled.)
<b>h. 01</b>	This represents the Super Cycle upgrade option. Press the lower left (HOT) button to step through upgrade options 1 through 3 as follows: <p>01 – enhanced wash, extra 3 minutes of wash tumble in addition to the programmed wash time.</p> <p>02 – extra rinse for all cycles.</p> <p>03 – both 01 and 02.</p> <ul style="list-style-type: none"> <li>• Press the lower middle (WARM) button once to advance to next code.</li> </ul>
<b>J. Cd</b>	<b>PAYMENT MODE (COIN/DEBIT OPTION)</b>
<b>J. Cd</b>	Both coin and debit selected. Press the lower right (COLD) button three consecutive times to change this selection.
<b>J. C_</b>	Coins selected, debit disabled. Press the lower right (COLD) button three consecutive times to change this selection.
<b>J. _d</b>	<b>With Card Payment System:</b> Debit Card selected, coins disabled. Press the lower right (COLD) button three consecutive times to change this selection.
<b>J. Ed</b>	Enhanced Debit is self-selected when a Generation 2 card reader is installed in the washer/dryer. The Ed option cannot be manually selected or deselected. <ul style="list-style-type: none"> <li>• Press the lower middle (WARM) button once to advance to next code.</li> </ul>
<b>L. 00</b>	<b>PRICE SUPPRESSION OPTION</b> This option causes the customer display to show "ADD" or "AVAILABLE" rather than the amount of money to add (used mainly in debit installations).
<b>L. 00</b>	Not Selected "00."
<b>L. PS</b>	Selected "PS." Press the lower right (COLD) button once to change this selection. <ul style="list-style-type: none"> <li>• Press the lower middle (WARM) button once to advance to next code.</li> </ul>

Code	Explanation
<b>n. CE</b>	<b>CLEAR ESCROW OPTION</b> When selected, money held in escrow for 30 minutes without further escrow or cycle activity will be cleared.
<b>n. 00</b>	Not Selected "00."
<b>n. CE</b>	Selected "CE." Press the lower right (COLD) button once to change this selection. <ul style="list-style-type: none"> <li>• Press the lower middle (WARM) button once to advance to next code.</li> </ul>
<b>U. 00</b>	<b>PENNY INCREMENT OFFSET (DRYER)</b>
<b>U. 00</b>	This represents the penny increment price offset used in Generation 2 (Enhanced Debit) models. Choose from 0–4 pennies by pressing the upper left (COTTON/WHITES) button. <ul style="list-style-type: none"> <li>• Press the lower middle (WARM) button once to advance to next code.</li> </ul>
<b>U. 00</b>	<b>PENNY INCREMENT OFFSET (WASHER)</b>
<b>U. 00</b>	This represents the penny increment price offset used in Generation 2 (Enhanced Debit) models. Choose from 0–4 pennies by pressing the lower left (HOT) button. <ul style="list-style-type: none"> <li>• Press the lower middle (WARM) button once to advance to next code.</li> </ul>
<b>A1. 00</b>	<b>PREWASH LENGTH (WASHER)</b>
<b>A1. 00</b>	This is the number of minutes of PREWASH. Choose 00 to disable the prewash or select between 2 and 7 minutes by pressing the lower left (HOT) button. <ul style="list-style-type: none"> <li>• Press the lower middle (WARM) button once to advance to next code.</li> </ul>

END OF SET-UP PROCEDURES.

## EXIT FROM SET-UP MODE

- Turn service switch key clockwise and remove or remove manual set-up card.

# WHIRLPOOL® COMMERCIAL LAUNDRY LIMITED WARRANTY

## IF YOU NEED SERVICE:

Contact your authorized Whirlpool® Commercial Laundry distributor. To locate your authorized Whirlpool® Commercial Laundry distributor, call:

**1-800-662-3587, or for web inquiries, visit [www.WhirlpoolCommercialLaundry.com](http://www.WhirlpoolCommercialLaundry.com).**

For written correspondence:

**Whirlpool® Commercial Laundry Service Department  
2000 N M 63  
Benton Harbor, Michigan 49022-2632 USA**

## 90 DAY LIMITED WARRANTY

### WHAT IS COVERED

#### 90 DAY LIMITED WARRANTY (PARTS AND LABOR)

For 90 days from the original date of purchase, when this commercial appliance is installed, maintained, and operated according to the instructions attached to or furnished with the product, Whirlpool Corporation (hereafter "Whirlpool") will pay for factory specified replacement parts and repair labor to correct defects in materials or workmanship that existed when this commercial appliance was purchased.

#### TWO YEAR LIMITED WARRANTY (PARTS ONLY)

For the first two years from the original date of purchase, when this commercial appliance is installed, maintained, and operated according to the instructions attached to or furnished with the product, Whirlpool will pay for factory specified replacement parts to correct defects in materials or workmanship that existed when this commercial appliance was purchased.

**YOUR SOLE AND EXCLUSIVE REMEDY UNDER THIS LIMITED WARRANTY SHALL BE PRODUCT REPAIR AS PROVIDED HEREIN.** Whirlpool recommends that you use an "in network" service provider to diagnose and repair your Commercial Laundry product. Whirlpool will not be responsible under this warranty to provide additional replacement parts as a result of incorrect diagnosis or repair by an "out of network" service company. This limited warranty is valid in the United States or Canada and applies only when the commercial appliance is used in the country in which it was purchased. This limited warranty is effective from the date of the original consumer purchase. Proof of original purchase date is required to obtain service under this limited warranty.

### WHAT IS NOT COVERED

1. All other costs including labor, transportation, shipping, or custom duties for covered parts.
2. Factory specified replacement parts if this commercial appliance is used for other than normal, commercial use or when it is used in a manner that is inconsistent to published user or operator instructions and/or installation instructions.
3. Service calls to correct the installation of your commercial appliance, to instruct you on how to use your commercial appliance, to replace or repair house fuses, or to correct external wiring or plumbing.
4. Service calls to repair or replace appliance light bulbs, air filters, or water filters. Consumable parts are excluded from warranty coverage.
5. Damage resulting from improper handling of product during delivery, theft, accident, alteration, misuse, abuse, fire, flood, acts of God, improper installation, installation not in accordance with local electrical or plumbing codes, or use of products not approved by Whirlpool.
6. Pick up and delivery. This commercial appliance is designed to be repaired on location.
7. Repairs to parts or systems resulting from unauthorized modifications made to the commercial appliance.
8. The removal and reinstallation of your commercial appliance if it is installed in an inaccessible location or is not installed in accordance with published installation instructions.
9. Damage resulting from exposure to chemicals.
10. Changes to the building, room, or location needed in order to make the commercial appliance operate correctly.
11. Factory specified replacement parts on commercial appliances with original model/serial numbers that have been removed, altered, or cannot be easily determined.
12. Discoloration, rust, or oxidation of stainless steel surfaces.
13. Factory specified replacement parts as a result of incorrect diagnosis or repair by an "out of network" service company.

**The cost of repair or replacement under these excluded circumstances shall be borne by the customer.**

## DISCLAIMER OF IMPLIED WARRANTIES

IMPLIED WARRANTIES, INCLUDING ANY IMPLIED WARRANTY OF MERCHANTABILITY OR IMPLIED WARRANTY OF FITNESS FOR A PARTICULAR PURPOSE, ARE LIMITED TO TWO YEARS OR THE SHORTEST PERIOD ALLOWED BY LAW. Some states and provinces do not allow limitations on the duration of implied warranties of merchantability or fitness, so this limitation may not apply to you. This warranty gives you specific legal rights, and you also may have other rights that vary from state to state or province to province.

## DISCLAIMER OF REPRESENTATIONS OUTSIDE OF WARRANTY

Whirlpool makes no representations about the quality, durability, or need for service or repair of this major appliance other than the representations contained in this Warranty. If you want a longer or more comprehensive warranty than the limited warranty that comes with this major appliance, you should ask Whirlpool or your retailer about buying an extended warranty.

## LIMITATION OF REMEDIES; EXCLUSION OF INCIDENTAL AND CONSEQUENTIAL DAMAGES

**YOUR SOLE AND EXCLUSIVE REMEDY UNDER THIS LIMITED WARRANTY SHALL BE PRODUCT REPAIR AS PROVIDED HEREIN. WHIRLPOOL SHALL NOT BE LIABLE FOR INCIDENTAL OR CONSEQUENTIAL DAMAGES.** Some states and provinces do not allow the exclusion or limitation of incidental or consequential damages, so these limitations and exclusions may not apply to you. This warranty gives you specific legal rights, and you also may have other rights that vary from state to state or province to province.

# SEGURIDAD DE LA LAVADORA/SECADORA APILADAS

## Su seguridad y la seguridad de los demás es muy importante.

Hemos incluido muchos mensajes importantes de seguridad en este manual y en su electrodoméstico. Lea y obedezca siempre todos los mensajes de seguridad.



Este es el símbolo de alerta de seguridad.

Este símbolo le llama la atención sobre peligros potenciales que pueden ocasionar la muerte o una lesión a usted y a los demás.

Todos los mensajes de seguridad irán a continuación del símbolo de advertencia de seguridad y de la palabra "PELIGRO" o "ADVERTENCIA". Estas palabras significan:

 **PELIGRO**

Si no sigue las instrucciones de inmediato, usted puede morir o sufrir una lesión grave.

 **ADVERTENCIA**

Si no sigue las instrucciones, usted puede morir o sufrir una lesión grave.

Todos los mensajes de seguridad le dirán el peligro potencial, le dirán cómo reducir las posibilidades de sufrir una lesión y lo que puede suceder si no se siguen las instrucciones.



## **ADVERTENCIA - "Riesgo de incendio"**

- La instalación de la secadora de ropa debe estar a cargo de un instalador competente.
- Instale la secadora de ropa según las instrucciones del fabricante y los códigos locales.
- No instale una secadora de ropa con materiales de ventilación de plástico flexible o un conducto de metal flexible (de hoja de metal). Si se usa un conducto de metal flexible, éste deberá ser de un tipo específico, que esté identificado por el fabricante de electrodomésticos como apto para ser usado con secadoras de ropa. Es sabido que los materiales de ventilación flexible se derrumban, se aplastan con facilidad y atrapan pelusa. Estas condiciones obstruirán el flujo de aire de la secadora de ropa y aumentarán el riesgo de incendio.
- Para reducir el riesgo de lesiones severas o la muerte, siga todas las instrucciones de instalación.
- Guarde estas instrucciones.

### **ADVERTENCIA**

#### **Peligro de incendio**

Si no se siguen las advertencias de seguridad con exactitud, se podrían producir lesiones graves, muertes o daños a la propiedad.

No instale un ventilador de refuerzo en el conducto de escape.

Instale todas las secadoras de ropa de acuerdo con las instrucciones de instalación del fabricante de las secadoras.

- Se recomienda que el propietario coloque las instrucciones para el uso del cliente en un lugar a la vista, en caso de que el cliente sienta olor a gas. Esta información deberá obtenerse con su proveedor de gas.
- Coloque a la vista la siguiente advertencia.

# SEGURIDAD DE LA LAVADORA/SECADORA APILADAS

## PARA SU SEGURIDAD

No almacene ni use gasolina u otros vapores y líquidos inflamables cerca de éste o cualquier otro electrodoméstico.

### ADVERTENCIA:

#### PELIGRO DE INCENDIO O EXPLOSIÓN

Si no se siguen las advertencias de seguridad con exactitud, se podrían producir lesiones graves, muertes o daños a la propiedad.

– No almacene o use gasolina u otros líquidos y vapores inflamables cerca de éste u otro aparato electrodoméstico.

– PASOS QUE USTED DEBE SEGUIR SI HUELE A GAS:

- No trate de encender ningún aparato electrodoméstico.
- No toque ningún interruptor eléctrico; no use ningún teléfono en su edificio.
- Desaloje a todos los ocupantes del cuarto, edificio o área.
- Llame inmediatamente a su proveedor de gas desde el teléfono de un vecino. Siga las instrucciones de su proveedor de gas.
- Si usted no puede comunicarse con su proveedor de gas, llame al departamento de bomberos.

– La instalación y el servicio deben ser efectuados por un instalador calificado, una agencia de servicio o por el proveedor de gas.

**ADVERTENCIA:** Las pérdidas de gas no siempre se pueden detectar por el olfato.

Los proveedores de gas recomiendan que usted use un detector de gas aprobado por UL (Laboratorio de normalización) o CSA (Asociación canadiense de seguridad).

Para obtener más información, póngase en contacto con su proveedor de gas.

Si se detecta una fuga de gas, siga las instrucciones de “Pasos que usted debe seguir si huele a gas”.

En el estado de Massachusetts se aplican las siguientes instrucciones de instalación:

- Las instalaciones y reparaciones se deben efectuar por un contratista, plomero o gasista calificado o licenciado por el estado de Massachusetts.
- Reemplace con dispositivos de cierre aceptables: las llaves de gas y las válvulas de bola instaladas para el uso deben estar en la lista.
- Si se usa un conector de gas flexible no debe exceder de 4 pies (121,9 cm).

**IMPORTANTE:** La instalación de gas debe hacerse de acuerdo con los códigos locales, o si no los hay, con el Código Nacional de Gas Combustible (National Fuel Gas Code), ANSI Z223.1/NFPA 54.

La secadora debe estar conectada a tierra de acuerdo con los códigos locales, o si no los hay, con el Código Nacional de Electricidad (National Electrical Code), ANSI/NFPA 70.

Advertencias de la Proposición 65 del estado de California:

**ADVERTENCIA:** Este producto contiene una o más sustancias químicas identificadas por el estado de California como causantes de cáncer.

**ADVERTENCIA:** Este producto contiene una o más sustancias químicas identificadas por el estado de California como causantes de defectos congénitos o algún otro tipo de daños en la función reproductora.

# SEGURIDAD DE LA LAVADORA/SECADORA APILADAS

## INSTRUCCIONES IMPORTANTES DE SEGURIDAD

Antes de guardar o descartar su vieja secadora, quítele la puerta.

### GUARDE ESTAS INSTRUCCIONES

## INSTRUCCIONES IMPORTANTES DE SEGURIDAD

**ADVERTENCIA:** A fin de reducir el riesgo de incendio, descarga eléctrica o de daño a las personas que usen la lavadora/secadora, deben seguirse las precauciones básicas, incluidas las siguientes:

- Lea todas las instrucciones antes de usar la lavadora/secadora.
- No coloque los objetos expuestos a aceite para cocinar en su secadora. Los objetos expuestos a aceites para cocinar pueden contribuir a una reacción química que podría causar que la ropa se inflame. Para reducir el riesgo de incendio debido a cargas contaminadas, la parte final de un ciclo en la secadora se produce sin calor (período de enfriamiento). Evite detener una secadora antes de que termine el ciclo de secado a menos que todos los objetos se saquen rápidamente y separen de modo que el calor se disipe.
- No lave o seque artículos que hayan sido previamente limpiados, lavados, remojados o humedecidos con gasolina, solventes de limpieza en seco, u otras sustancias inflamables o explosivas ya que éstas emanan vapores que podrían encenderse o causar una explosión.
- No agregue gasolina, solventes para lavar en seco, u otras sustancias inflamables o explosivas al agua de lavado. Estas sustancias emanan vapores que podrían encenderse o causar una explosión.
- No permita que los niños jueguen encima o dentro de la lavadora/secadora. Es necesario una supervisión cuidadosa de los niños cada vez que se use la lavadora/secadora cerca de ellos.
- Antes de poner la lavadora/secadora fuera de servicio o desecharla, quite las puertas a los compartimientos de la lavadora/secadora.
- No introduzca las manos en la lavadora/secadora cuando la tina, el agitador, o el tambor están movimiento.
- No instale o almacene esta lavadora/secadora donde esté expuesta al agua o a la intemperie.
- No trate de jugar con los controles.
- Limpie el filtro de pelusa antes o después de cada carga de ropa.
- En ciertas condiciones, puede generarse gas hidrógeno en un sistema de agua caliente que no se haya usado por dos semanas o un período mayor. **EL GAS HIDRÓGENO ES EXPLOSIVO.** Si no se ha usado el agua caliente durante dicho período, antes de usar la lavadora, abra todos los grifos de agua caliente y deje que corra el agua por varios minutos. Esto liberará todo el gas hidrógeno que se haya acumulado. Debido a la inflamabilidad de dicho gas, no fume ni use una llama abierta durante este lapso.
- No repare o reemplace ninguna pieza de la lavadora/secadora ni trate de repararla a menos que esto se recomiende específicamente en el Manual de Uso y Cuidado o en instrucciones de reparación publicadas para el usuario que usted comprenda y sólo si cuenta con la experiencia necesaria para llevar a cabo dicha reparación.
- No utilice suavizante de telas o productos para eliminar la estática de prendas a menos que lo recomiende el fabricante del suavizante de telas o del producto en uso.
- No utilice calor para secar prendas que contengan hule espuma o materiales con textura de hule similar.
- Mantenga el área alrededor de la abertura de ventilación y las áreas adyacentes a esta abertura sin pelusa, polvo o suciedad.
- La parte interior de la máquina y el ducto de escape se deben limpiar periódicamente. Esta limpieza la debe llevar a cabo un reparador calificado.
- Consulte la sección "Requisitos eléctricos" del folleto de Instrucciones de instalación para ver las instrucciones de conexión a tierra.

### GUARDE ESTAS INSTRUCCIONES

# HERRAMIENTAS Y PIEZAS

## Herramientas necesarias:



Llave para tubos de 8" (203 mm) o 10" (254 mm)



Llave ajustable de 8" (203 mm) o 10" (254 mm) que se abra a 1" (25 mm)



Destornillador de hoja plana



Destornillador Phillips



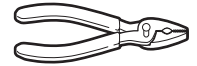
Destornillador o broca de seguridad TORX T20<sup>†</sup>



Llave de cubo de cabeza hexagonal de 1" (25 mm)



Llave de tubo de 5/16"



Pinzas (que se abran a 1<sup>9</sup>/<sub>16</sub>" [39 mm])



Nivel



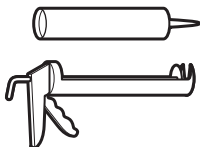
Cuchillo para uso general



Llave de tuercas de 1/4" (6 mm)



Pinzas de traba



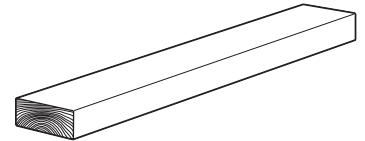
Pistola y masilla para calafateo (para instalar el nuevo ducto de escape)



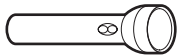
Abrazaderas para ducto



Compuesto para unión de tuberías que sea adecuado para el tipo de gas



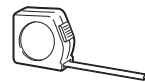
Bloque de madera de 27" (686 mm)



Linterna (opcional)



Llaves de boca de 1/2" (13 mm) y 9/16" (14 mm)



Regla o cinta para medir

## Piezas suministradas:



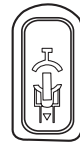
Mangueras de entrada de agua (2)



Arandelas de la manguera de entrada (4)



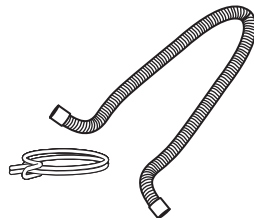
Molde de la manguera en forma de "U"



Tapón de orificio para perno de transporte (4)



Fleje de atadura rebordeado



Manguera de desagüe y abrazadera

<sup>†</sup>TORX y T20 son marcas registradas de Acument Intellectual Properties, LLC.



# PIEZAS Y ACCESORIOS ADICIONALES

## Piezas adicionales

Su instalación puede requerir piezas adicionales. Si está interesado en adquirir una de las piezas aquí enlistadas, llame al número gratuito que se encuentra en la sección "Si necesita ayuda."

Si tiene	Necesitará adquirir
Una alcantarilla suspendida	Tina de desagüe estándar de 20 gal. (76 L) 39" (990 mm) de altura o lavadero utilitario, bomba de sumidero y conectores (disponible en tiendas locales de artículos de plomería)
Tubo vertical de 1" (25 mm)	Adaptador de tubo vertical de 2" (51 mm) de diámetro a 1" (25 mm) de diámetro, pieza número 3363920 Juego de conectores, pieza número 285835
Una manguera de desagüe muy corta	Manguera de desagüe de extensión, pieza número 285863 Juego de conectores, pieza número 285835
Desagüe obstruido por pelusa	Protector del desagüe, pieza número 367031 Juego de conectores, pieza número 285835
Sistema de desagüe por el piso	Desviación de sifón, pieza número 285834 Juego de conectores (x2), pieza número 285835 Manguera de desagüe de extensión, pieza número 285863
Grifos del agua fuera del alcance de las mangueras de llenado	2 mangueras de llenado de agua más largas: Manguera con doblez de 90° de 6 pies (1,8 m), pieza número 76314 de 10 pies (3,0 m), pieza número 350008

## Accesorios

Realce su lavadora/secadora con estos accesorios de calidad superior.

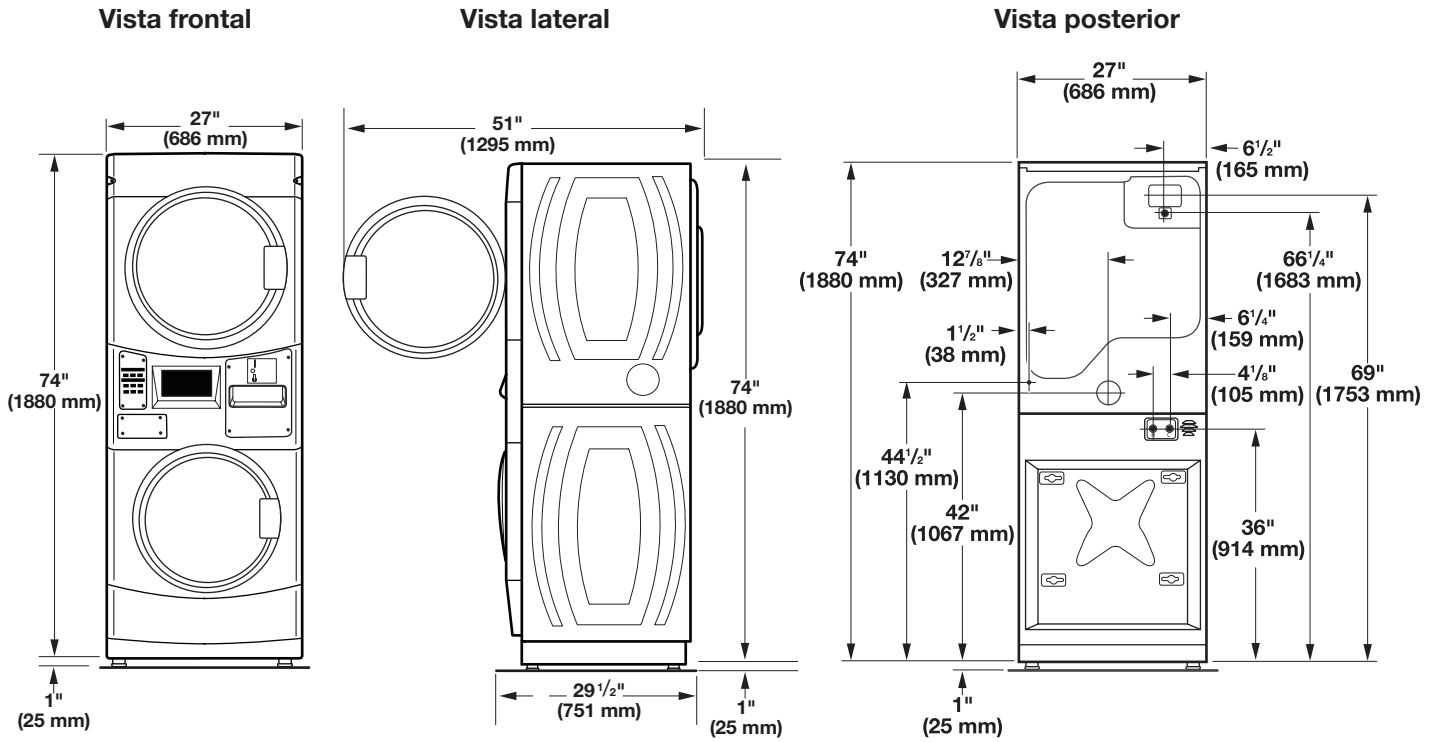
Para ver más artículos de alta calidad o para hacer un pedido, llame al **1-866-698-2538**, o visítenos en [www.whirlpool.com/accessories](http://www.whirlpool.com/accessories).

Número de pieza	Accesorio
<b>8212526</b>	Bandeja de goteo para lavadora, encaja debajo de todo
<b>31682</b>	Limpiador multiuso para electrodomésticos
<b>1903WH</b>	Carro de almacenamiento para artículos de lavandería
<b>279818</b>	Juego de ventilación de 3 direcciones de la secadora
<b>285834</b>	Juego de desviación de sifón



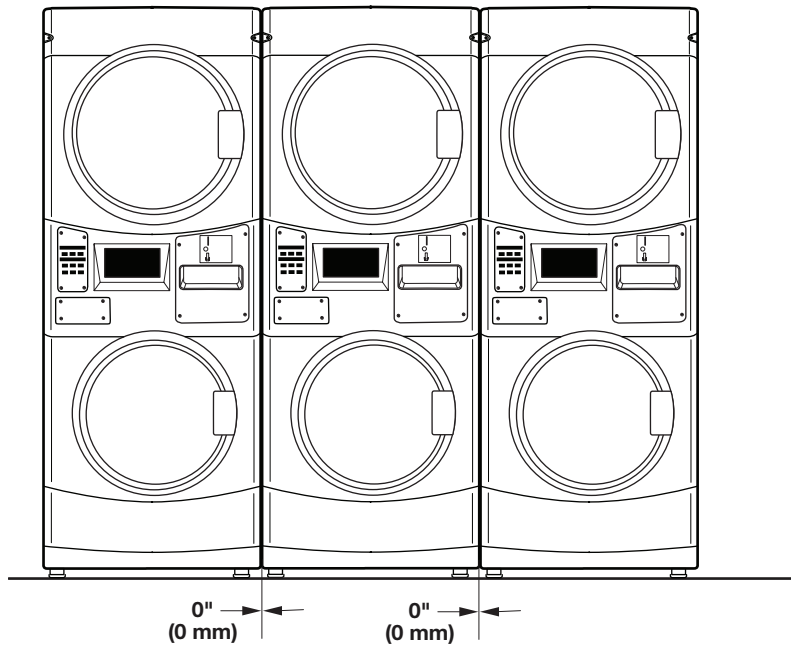
# DIMENSIONES Y ESPACIOS LIBRES

## Dimensiones

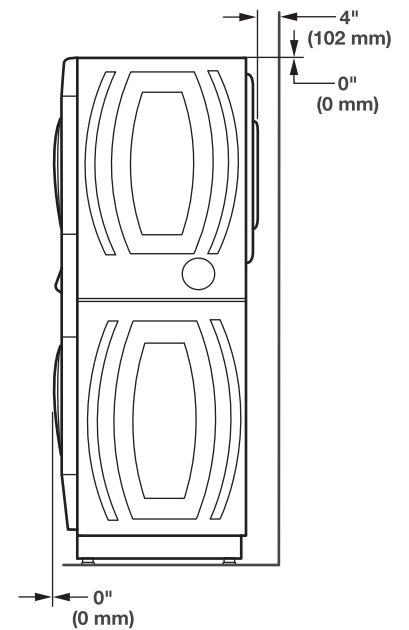


## Espacios libres

### Espacios libres laterales



### Espacios libres en la parte posterior y superior



# REQUISITOS DE INSTALACIÓN DE LA LAVADORA/SECADORA A GAS APILADAS

## Ubicación de la lavadora/secadora a gas apiladas

### ⚠ ADVERTENCIA



#### Peligro de Explosión

**Mantenga los materiales y vapores inflamables, tales como la gasolina, alejados de la secadora.**

**No instale en un garage.**

**No seguir estas instrucciones puede ocasionar la muerte, explosión o incendio.**

La selección de una ubicación apropiada para su lavadora/secadora mejora el rendimiento y reduce al mínimo el ruido y la posible "caminata" de la lavadora.

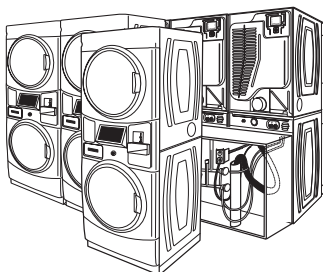
Su lavadora/secadora se puede instalar en un sótano, cuarto para lavar o un lugar empotrado. Esta lavadora/secadora no ha sido diseñada para instalarse en una casa rodante ni en un vehículo recreativo. Vea la sección "Sistema de desagüe" para obtener más información.

Deberá tenerse en cuenta también los requisitos para la ubicación de otro electrodoméstico que le acompañe.

**IMPORTANTE:** No instale ni almacene esta lavadora/secadora donde estará expuesta a la intemperie. No almacene ni opere la lavadora/secadora en temperaturas de 32°F (0°C) o inferiores. Puede quedar un poco de agua en la lavadora y ésta puede ocasionar daños a bajas temperaturas. La instalación correcta es su responsabilidad.

#### Usted necesitará:

- Un calentador de agua fijado para suministrar el agua a la lavadora a una temperatura de 120°F (49°C).
- Un contacto eléctrico con conexión a tierra ubicado a una distancia de no más de 6 pies (1,8 m) del lugar donde el cable eléctrico está fijado a la parte posterior de la lavadora. Vea "Requisitos eléctricos."
- Grifos de agua caliente y de agua fría ubicados a una distancia de 4 pies (1,2 m) de las válvulas de llenado del agua caliente y agua fría y una presión de agua de 20–100 lb/pulg<sup>2</sup> (137,9–689,6 kPa).
- Un piso nivelado con un declive máximo de 1" (25 mm) debajo de la lavadora/secadora completa. No se recomienda instalar la lavadora/secadora sobre superficies blandas del piso, tales como alfombras o superficies con reverso de espuma.
- Un piso resistente y firme que soporte la lavadora/secadora con un peso total (del agua y de la carga) de 450 libras (204 kg).
- Un desagüe de piso debajo del tabique. Los tabiques divisorios prefabricados con contactos eléctricos, las líneas de entrada de agua y las instalaciones con desagües deben ser usados únicamente donde los códigos locales lo permitan.



#### Espacios libres de instalación para la lavadora/secadora a gas apiladas

- La ubicación debe ser lo suficientemente grande para permitir que las puertas de la lavadora y la secadora se abran completamente.
- Debe considerarse espacio adicional para facilitar la instalación y el servicio técnico. Las puertas se abren a más de 180°. La puerta de la lavadora no es reversible.
- Se podrían necesitar espacios libres adicionales para las molduras de la pared, de la puerta y del piso.
- Se recomienda un espacio adicional de 1" (25 mm) en todos los lados de la lavadora/secadora para reducir la transferencia de ruido y mejorar el rendimiento del exprimido de la lavadora.
- También se debe considerar espacio adicional para otro electrodoméstico que le acompañe.

#### Cuando instale una secadora a gas:

**IMPORTANTE:** Observe todos los códigos y ordenanzas aplicables.

- Verifique los requisitos de los códigos: Algunos códigos limitan, o no permiten, la instalación de la secadora en garajes, clósets o en dormitorios. Póngase en contacto con el inspector de construcciones de su localidad.
- Asegúrese de que los bordes inferiores del armario, además de los lados de la parte posterior e inferior de la lavadora/secadora, estén libres de obstrucciones, para permitir el espacio adecuado de aberturas para la combustión de aire. Vea "Instrucciones para la instalación empotrada" a continuación para los requisitos mínimos de espacio.

#### Instrucciones para la instalación empotrada

Esta lavadora/secadora podrá instalarse en un área empotrada. Para las instalaciones en áreas empotradas, se pueden encontrar los espacios mínimos en la etiqueta de advertencia, en la parte posterior de la secadora o en la sección "Dimensiones y espacios libres."

El espacio de instalación es en centímetros (pulgadas) y es el mínimo permitido. Debe considerarse espacio adicional para facilitar la instalación, el servicio técnico y el cumplimiento de los códigos y ordenanzas locales.

La secadora deberá ventilarse al exterior.

# REQUISITOS DE INSTALACIÓN DE LA LAVADORA/SECADORA A GAS APILADAS

## Requisitos eléctricos de la lavadora/secadora a gas apiladas

### **⚠ ADVERTENCIA**



#### **Peligro de Choque Eléctrico**

**Conecte a un contacto de pared de conexión a tierra de 3 terminales.**

**No quite la terminal de conexión a tierra.**

**No use un adaptador.**

**No use un cable eléctrico de extensión.**

**No seguir estas instrucciones puede ocasionar la muerte, incendio o choque eléctrico.**

**IMPORTANTE:** La lavadora/secadora debe conectarse a tierra se acuerdo a los códigos y las ordenanzas locales o, en la ausencia de códigos locales, de acuerdo al National Electrical Code (Código Nacional Eléctrico) ANSI/NFPA 70, última edición, o el Canadian Electrical Code (Código Canadiense de Electricidad) CSA C22.1. Si los códigos lo permiten y se usa un cable con conexión a tierra separado, se recomienda que un instalador eléctrico calificado determine que la trayectoria de conexión a tierra sea adecuada.

Usted puede obtener una copia de las normas de los códigos arriba indicadas en:

National Fire Protection Association  
One Batterymarch Park, Quincy, MA 02269  
CSA International  
8501 East Pleasant Valley Road  
Cleveland, Ohio 44131-5575

- No conecte a tierra a un tubo de gas.
- No coloque un fusible en el circuito neutro o de puesta a tierra.
- Se necesita un circuito eléctrico de 120 voltios, 60 hertzios, CA solamente, de 15 ó 20 amperios y protegido con fusibles. También se recomienda usar un fusible retardador o un cortacircuitos. Asimismo se recomienda el uso de un circuito independiente que preste servicio únicamente a esta lavadora/secadora.
- Esta lavadora/secadora viene equipada con un cable eléctrico dotado de un enchufe de 3 terminales con conexión a tierra.
- Para reducir al mínimo los posibles choques eléctricos, el cable debe ser enchufado en un contacto apropiado de pared de 3 terminales, conectado a tierra de acuerdo con los códigos y normas locales. Si no hay disponible un contacto equivalente, es responsabilidad y obligación personal del cliente de tener un contacto apropiado con conexión a tierra instalado por un electricista calificado.
- Si los códigos lo permiten y se emplea un hilo de conexión a tierra separado, se recomienda que un electricista competente determine si la trayectoria de conexión a tierra es adecuada.
- Si no está seguro de que la conexión a tierra de la lavadora/secadora sea la adecuada, verifíquela con un electricista competente.

### Conexión a tierra de la lavadora/secadora a gas apiladas

#### **INSTRUCCIONES PARA LA CONEXIÓN A TIERRA**

##### **Para una lavadora conectada a tierra con cable eléctrico:**

Esta lavadora debe conectarse a tierra. En caso de funcionamiento defectuoso o avería, la conexión a tierra reducirá el riesgo de choque eléctrico al proporcionar una vía de menor resistencia para la corriente eléctrica. Esta lavadora viene equipada con un cable eléctrico que tiene un conductor de conexión a tierra del equipo y un enchufe con conexión a tierra. El enchufe debe conectarse en un contacto de pared apropiado que haya sido debidamente instalado y conectado a tierra de conformidad con todos los códigos y ordenanzas locales.

**ADVERTENCIA:** La conexión incorrecta de la terminal de conexión a tierra del equipo puede ocasionar un riesgo de choque eléctrico. Consulte con un electricista o técnico en reparaciones calificado si tiene duda alguna en cuanto a la conexión a tierra correcta del electrodoméstico.

No modifique el enchufe provisto con el electrodoméstico. Si éste no encaja en el contacto de pared, pida a un electricista calificado que le instale un contacto de pared apropiado.

##### **Para una lavadora con contacto eléctrico permanente:**

Esta lavadora debe estar conectada a un sistema de cableado de metal permanente, conectado a tierra, o se debe tender un conducto para la conexión a tierra del equipo con los conductores de circuito y conectado a la terminal de tierra del equipo o al conductor de suministro del electrodoméstico.

# REQUISITOS DE INSTALACIÓN DE LA LAVADORA/SECADORA A GAS APILADAS

## Requisitos eléctricos de la lavadora/ secadora a gas apiladas (cont.)

### Conexión a tierra de la lavadora/ secadora a gas apiladas (cont.)

#### INSTRUCCIONES PARA LA CONEXIÓN A TIERRA

- Para la conexión de una secadora mediante cable eléctrico conectado a tierra:  
Esta secadora debe estar conectada a tierra. En el caso de funcionamiento defectuoso o avería, la conexión a tierra reducirá el riesgo de choque eléctrico al proporcionar una vía de menor resistencia para la corriente eléctrica. Esta secadora usa un cable que cuenta con un conductor para la conexión a tierra del equipo y un enchufe de conexión a tierra. El enchufe debe conectarse en un contacto apropiado, que esté debidamente instalado y conectado a tierra de acuerdo con todos los códigos y ordenanzas locales.
- Para la conexión permanente de una secadora:  
Esta secadora debe estar conectada a un sistema de cableado de metal permanente, conectado a tierra, o se debe tender un conducto para la conexión a tierra del equipo con los conductores de circuito y conectado al terminal de tierra del equipo o al conductor de suministro de la secadora.

**ADVERTENCIA:** La conexión indebida del conductor para la conexión a tierra del equipo puede ocasionar un riesgo de choque eléctrico. Verifique con un electricista, representante o personal de servicio técnico calificado para asegurarse de que la conexión a tierra de la secadora sea apropiada. No modifique el enchufe que viene con el cable eléctrico. Si no encaja en el contacto, contrate un electricista calificado para que instale un contacto adecuado.

**GUARDE ESTAS INSTRUCCIONES**

## Suministro de gas para la lavadora/ secadora a gas apiladas

### **⚠ ADVERTENCIA**



#### Peligro de Explosión

**Use una línea de suministro de gas nueva con aprobación CSA Internacional.**

**Instale una válvula de cierre.**

**Apriete firmemente todas las conexiones de gas.**

**Si se conecta a un suministro de gas propano, la presión no debe exceder una columna de agua de 330 mm (13 pulg) y debe ser verificada por una persona calificada.**

**Ejemplos de una persona calificada incluyen:**

**personal de servicio del sistema de calefacción con licencia,  
personal autorizado de la compañía de gas, y  
personal autorizado para dar servicio.**

**No seguir estas instrucciones puede ocasionar la muerte, explosión o incendio.**

**IMPORTANTE:** Observe todos los códigos y ordenanzas aplicables.

Esta instalación debe hacerse de acuerdo con todos los códigos y ordenanzas locales. Si no hay códigos locales, la instalación deberá hacerse de acuerdo al Código nacional estadounidense (American National Standard), el Código Nacional de Gas Combustible (National Fuel Gas Code), ANSI Z223.1/NFPA 54 o CAN/CSA B149.

Usted puede obtener una copia de las normas de los códigos arriba indicadas en:

National Fire Protection Association  
One Batterymarch Park, Quincy, MA 02269  
CSA International  
8501 East Pleasant Valley Road  
Cleveland, Ohio 44131-5575

El diseño de esta lavadora/secadora ha sido certificado por CSA International para uso en altitudes que alcanzan los 10.000 pies (3.048 m) sobre el nivel del mar, en la categoría de B.T.U. indicada en la placa del número de modelo/serie. No se requieren ajustes de entrada del quemador cuando se usa la lavadora/secadora hasta esta altitud.

Si se instala a un nivel superior a los 10.000 pies (3.048 m) de altitud, se requiere una reducción de categoría de B.T.U. del cuatro por ciento (4 %) del quemador, que se muestra en la placa del número de modelo/serie, por cada incremento de 1.000 pies (305 m) de altitud. Para obtener asistencia para convertir el aparato a otros tipos de gas y/o instalar el aparato a una altitud superior a 10.000 pies (3.048 m), póngase en contacto con su compañía de servicio más cercana.

# REQUISITOS DE INSTALACIÓN DE LA LAVADORA/SECADORA ELÉCTRICAS APILADAS

## Ubicación de la lavadora/secadora eléctrica apiladas

### ⚠ ADVERTENCIA



#### Peligro de Explosión

**Mantenga los materiales y vapores inflamables, tales como la gasolina, alejados de la secadora.**

**No instale en un garage.**

**No seguir estas instrucciones puede ocasionar la muerte, explosión o incendio.**

La selección de una ubicación apropiada para su lavadora/secadora mejora el rendimiento y reduce al mínimo el ruido y la posible "caminata" de la lavadora.

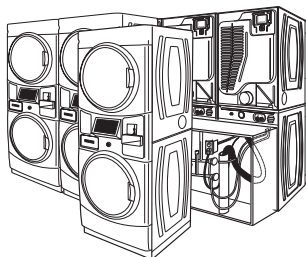
Su lavadora/secadora se puede instalar en un sótano, cuarto para lavar o un lugar empotrado. Esta lavadora/secadora no ha sido diseñada para instalarse en una casa rodante ni en un vehículo recreativo. Vea la sección "Sistema de desagüe" para obtener más información.

Deberá tenerse en cuenta también los requisitos para la ubicación de otro electrodoméstico que le acompañe.

**IMPORTANTE:** No instale ni almacene esta lavadora/secadora donde estará expuesta a la intemperie. No almacene ni opere la lavadora/secadora en temperaturas de 32°F (0°C) o inferiores. El agua que quede en la lavadora puede ocasionar daños a bajas temperaturas. La instalación correcta es su responsabilidad.

#### Usted necesitará:

- Un calentador de agua fijado para suministrar a la lavadora agua a 120°F (49°C).
- Un contacto eléctrico con conexión a tierra ubicado a una distancia de no más de 6 pies (1,8 m) del lugar donde el cable eléctrico está fijado a la parte posterior de la lavadora. Vea "Requisitos eléctricos."
- Grifos de agua caliente y de agua fría ubicados a una distancia de 4 pies (1,2 m) de las válvulas de llenado del agua caliente y agua fría y una presión de agua de 20–100 lb/pulg<sup>2</sup> (137,9–689,6 kPa).
- Un piso nivelado con un declive máximo de 1" (25 mm) debajo de la lavadora/secadora completa. No se recomienda instalar la lavadora/secadora sobre superficies blandas del piso, tales como alfombras o superficies con reverso de espuma.
- Un piso resistente y firme que soporte la lavadora/secadora con un peso total (del agua y de la carga) de 450 libras (204 kg).
- Un desagüe de piso debajo del tabique. Los tabiques divisorios prefabricados con contactos eléctricos, las líneas de entrada de agua y las instalaciones con desagües deben ser usados únicamente donde los códigos locales lo permitan.



#### Espacios libres de instalación para la lavadora/secadora eléctrica apiladas

- La ubicación debe ser lo suficientemente grande para permitir que las puertas de la lavadora y la secadora se abran completamente.
- Debe considerarse espacio adicional para facilitar la instalación y el servicio técnico. Las puertas se abren a más de 180°. La puerta de la lavadora no es reversible.
- Se podrían necesitar espacios libres adicionales para las molduras de la pared, de la puerta y el piso.
- Se recomienda un espacio adicional de 1" (25 mm) en todos los lados de la lavadora/secadora para reducir la transferencia de ruido y mejorar el rendimiento del exprimido de la lavadora.
- También se debe considerar espacio adicional para otro electrodoméstico que le acompañe.

#### Instrucciones para la instalación empotrada

Esta lavadora/secadora podrá instalarse en un área empotrada. Para las instalaciones en áreas empotradas, se pueden encontrar los espacios mínimos en la etiqueta de advertencia, en la parte posterior de la secadora.

El espacio de instalación es en pulgadas (centímetros) y es el mínimo permitido. Debe considerarse espacio adicional para facilitar la instalación, el servicio técnico y el cumplimiento de los códigos y ordenanzas locales.

La secadora deberá ventilarse al exterior.



# REQUISITOS DE INSTALACIÓN DE LA LAVADORA/SECADORA ELÉCTRICAS APILADAS

## Requisitos eléctricos de la lavadora/secadora eléctrica apiladas

### Requisitos eléctricos de la lavadora

#### **⚠ ADVERTENCIA**



#### **Peligro de Choque Eléctrico**

**Conecte a un contacto de pared de conexión a tierra de 3 terminales.**

**No quite la terminal de conexión a tierra.**

**No use un adaptador.**

**No use un cable eléctrico de extensión.**

**No seguir estas instrucciones puede ocasionar la muerte, incendio o choque eléctrico.**

- No coloque un fusible en el circuito neutro o de puesta a tierra.
- Esta lavadora/secadora viene equipada con un cable eléctrico dotado de un enchufe de 3 terminales con conexión a tierra.
- Para reducir al mínimo los posibles choques eléctricos, el cable debe ser enchufado en un contacto apropiado de pared de 3 terminales, conectado a tierra de acuerdo con los códigos y normas locales. Si no hay disponible un contacto equivalente, es responsabilidad y obligación personal del cliente de tener un contacto apropiado con conexión a tierra instalado por un electricista calificado.
- Si los códigos lo permiten y se emplea un hilo de conexión a tierra separado, se recomienda que un electricista competente determine si la trayectoria de conexión a tierra es adecuada.
- Si no está seguro de que la conexión a tierra de la lavadora sea la adecuada, verifíquela con un electricista competente.

### Conexión a tierra de la lavadora/secadora eléctrica apiladas

#### **INSTRUCCIONES PARA LA CONEXIÓN A TIERRA**

##### **Para una lavadora conectada a tierra con cable eléctrico:**

Esta lavadora debe conectarse a tierra. En caso de funcionamiento defectuoso o avería, la conexión a tierra reducirá el riesgo de choque eléctrico al proporcionar una vía de menor resistencia para la corriente eléctrica. Esta lavadora viene equipada con un cable eléctrico que tiene un conductor de conexión a tierra del equipo y un enchufe con conexión a tierra. El enchufe debe conectarse en un contacto de pared apropiado que haya sido debidamente instalado y conectado a tierra de conformidad con todos los códigos y ordenanzas locales.

**ADVERTENCIA:** La conexión incorrecta de la terminal de conexión a tierra del equipo puede ocasionar un riesgo de choque eléctrico. Consulte con un electricista o técnico en reparaciones calificado si tiene duda alguna en cuanto a la conexión a tierra correcta del electrodoméstico.

No modifique el enchufe provisto con el electrodoméstico. Si éste no encaja en el contacto de pared, pida a un electricista calificado que le instale un contacto de pared apropiado.

##### **Para una lavadora con contacto eléctrico permanente:**

Esta lavadora debe estar conectada a un sistema de cableado de metal permanente, conectado a tierra, o se debe tender un conducto para la conexión a tierra del equipo con los conductores de circuito y conectado a la terminal de tierra del equipo o al conductor de suministro del electrodoméstico.

# REQUISITOS DE INSTALACIÓN DE LA LAVADORA/SECADORA ELÉCTRICAS APILADAS

## Requisitos eléctricos de la lavadora/secadora eléctrica apiladas (cont.)

### Conexión a tierra de la lavadora/ secadora eléctrica apiladas (cont.)

#### INSTRUCCIONES PARA LA CONEXIÓN A TIERRA

- Para la conexión de una secadora mediante cable eléctrico conectado a tierra:

Esta secadora debe estar conectada a tierra. En el caso de funcionamiento defectuoso o avería, la conexión a tierra reducirá el riesgo de choque eléctrico al proporcionar una vía de menor resistencia para la corriente eléctrica. Esta secadora usa un cable que cuenta con un conductor para la conexión a tierra del equipo y un enchufe de conexión a tierra. El enchufe debe conectarse en un contacto apropiado, que esté debidamente instalado y conectado a tierra de acuerdo con todos los códigos y ordenanzas locales.

- Para la conexión permanente de una secadora:

Esta secadora debe estar conectada a un sistema de cableado de metal permanente, conectado a tierra, o se debe tender un conducto para la conexión a tierra del equipo con los conductores de circuito y conectado al terminal de tierra del equipo o al conductor de suministro de la secadora.

**ADVERTENCIA:** La conexión indebida del conductor para la conexión a tierra del equipo puede ocasionar un riesgo de choque eléctrico. Verifique con un electricista, representante o personal de servicio técnico calificado para asegurarse de que la conexión a tierra de la secadora sea apropiada. No modifique el enchufe que viene con el cable eléctrico. Si no encaja en el contacto, contrate un electricista calificado para que instale un contacto adecuado.

**GUARDE ESTAS INSTRUCCIONES**



# REQUISITOS DE INSTALACIÓN DE LA LAVADORA/SECADORA ELÉCTRICAS APILADAS

## Requisitos eléctricos de la secadora

### Usted es responsable de:

- Ponerse en contacto con un instalador eléctrico calificado.
- Asegurarse de que la conexión eléctrica sea adecuada y de conformidad con el Código Nacional Eléctrico, ANSI/NFPA 70 – última edición y con todos los códigos y ordenanzas locales.

El Código Nacional Eléctrico requiere una conexión de suministro de energía eléctrica de 4 hilos para aquellos hogares construidos después de 1996 y para los circuitos de secadora que se hayan reformado después de 1996.

Usted puede obtener una copia de las normas de los códigos arriba indicadas en: National Fire Protection Association, One Batterymarch Park, Quincy, MA 02269.

- Proveer el suministro eléctrico requerido de 3 ó 4 hilos, monofásico, de 240 voltios, 60 Hz, CA solamente (o un suministro eléctrico de 3 ó 4 hilos, de 120/208 voltios, si se especifica en la placa indicadora de clasificación/de la serie) en un circuito separado de 30 amperios, protegido con fusibles en ambos lados de la línea. Se recomienda un fusible retardador o un cortacircuitos. Conéctelo a un circuito derivado individual. No tenga un fusible en el circuito neutro o de conexión a tierra.
- No use un cable eléctrico de extensión.
- Si los códigos lo permiten y se emplea un hilo de conexión a tierra separado, se recomienda que un electricista competente determine si la trayectoria de conexión a tierra es adecuada.

### Conexión eléctrica

Para instalar su secadora adecuadamente, usted debe determinar el tipo de conexión eléctrica que va a usar y seguir las instrucciones que aquí se proveen para el caso.

- Esta secadora ha sido manufacturada lista para ser instalada en una conexión de suministro de energía eléctrica de 3 hilos. El conductor de puesta a tierra neutro está permanentemente conectado al conductor neutral (cable blanco), dentro de la secadora. Si la secadora está instalada con una conexión de suministro eléctrico de 4 hilos, el conductor neutro de puesta a tierra se debe quitar del conector de puesta a tierra exterior (tornillo verde) y se debe ajustar debajo de la terminal neutra (cable central o blanco) del bloque de terminal. Cuando el conductor neutro de puesta a tierra esté ajustado debajo de la terminal neutra (cable central o blanco) del bloque de terminal, la carcasa de la secadora queda aislada del conductor neutral.
- Si los códigos locales no permiten la conexión de un conductor neutro conectado a tierra al hilo neutro, vea la sección “Conexión opcional de 3 hilos.”
- Deberá usarse una conexión con suministro de energía de 4 hilos cuando el aparato esté instalado en una ubicación en la cual esté prohibida la conexión a tierra a través del conductor neutro. Está prohibido hacer la puesta a tierra a través del conductor neutro para (1) las nuevas instalaciones de circuito derivado y (2) áreas donde los códigos locales prohíben la conexión a tierra a través del conductor neutro.

## Cable de suministro eléctrico de la secadora eléctrica

### ⚠ ADVERTENCIA



#### Peligro de Incendio

**Use un cable de suministro eléctrico nuevo de 30 amperes que esté en la lista de UL.**

**Use un protector de cables que esté en la lista de UL.**

**Desconecte el suministro eléctrico antes de hacer las conexiones eléctricas.**

**Conecte el alambre neutro (el blanco o el del centro) al terminal central.**

**El alambre de tierra (el verde o el no aislado) se debe conectar con el conector verde de tierra.**

**Conecte los 2 alambres de suministro restantes con las 2 terminales restantes (las doradas).**

**Apriete firmemente todas las conexiones eléctricas.**

**No seguir estas instrucciones puede ocasionar la muerte, incendio, o choque eléctrico.**

### Si emplea un cable de suministro eléctrico:

Use un juego de cable de suministro de energía que esté en la lista de UL, para ser usado con secadoras de ropa. El juego deberá incluir:

- Un cable de suministro de energía de 30 amperios que esté en la lista de UL, de 240 voltios como mínimo. El cable deberá ser del tipo SRD o SRDT y tener por lo menos 4 pies (1,22 m) de largo. Los hilos que lo conectan a la secadora deben acabar en terminales de anillo o de horquilla en forma de “U” con los extremos hacia arriba.
- Un protector de cables que esté en la lista de UL.

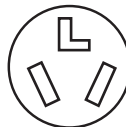
### Si el contacto de pared luce como éste:



**Contacto de 4 hilos (14-30R)**

Entonces elija un cable de suministro eléctrico de 4 hilos con terminales de anillo o de horquilla y con protector de cables que esté en la lista de UL. El cordón de suministro de corriente de 4 hilos, de por lo menos 4 pies (1,22 m) de largo, debe tener cuatro hilos de cobre de calibre 10 y encajar en un tomacorriente para 4 hilos de NEMA Tipo 14-30R. El hilo de puesta a tierra (conductor de puesta a tierra) debe ser verde o desnudo. El conductor neutral debe ser identificado con una cubierta blanca.

### Si el contacto de pared luce como éste:



**Contacto de 3 hilos (10-30R)**

Entonces elija un cable de suministro eléctrico de 3 hilos con terminales de anillo o de horquilla y con protector de cables que esté en la lista de UL. El cable de suministro de corriente de 3 hilos, de por lo menos 4 pies (1,22 m) de largo, debe tener tres hilos de cobre de calibre 10 y encajar en un tomacorriente para 3 hilos de NEMA Tipo 10-30R.

# REQUISITOS DE INSTALACIÓN DE LA LAVADORA/SECADORA ELÉCTRICAS APILADAS

## Cable directo de la secadora

### **ADVERTENCIA**



#### **Peligro de Incendio**

**Utilice alambre de cobre de calibre 10.**

**Use un protector de cables que esté en la lista de UL.**

**Desconecte el suministro eléctrico antes de hacer las conexiones eléctricas.**

**Conecte el alambre neutro (el blanco o el del centro) a la terminal central.**

**El alambre de tierra (el verde o el no aislado) se debe conectar con el conector verde de tierra.**

**Conecte los 2 alambres de suministro restantes con las 2 terminales restantes (las doradas).**

**Apriete firmemente todas las conexiones eléctricas.**

**No seguir estas instrucciones puede causar la muerte, incendio o choque eléctrico.**

### **Si hace la conexión con cableado directo:**

El cable de suministro eléctrico debe ser igual al suministro eléctrico (de 4 hilos o de 3 hilos) y debe ser:

- Cable blindado flexible o cable de cobre forrado no metálico (con hilo de puesta a tierra), cubierto con un conducto metálico flexible. Todos los hilos conductores de corriente deben estar aislados.
- Hilo de cobre de calibre 10 (no utilice aluminio).
- Tener por lo menos 5 pies (1.52 m) de longitud.

# REQUISITOS DE VENTILACIÓN DE LA SECADORA

## ⚠️ ADVERTENCIA



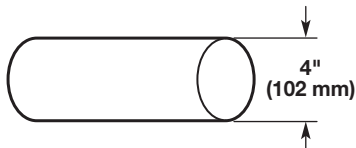
### Peligro de Incendio

- Use un ducto de escape de metal pesado.
- No use un ducto de escape de plástico.
- No use un ducto de escape de aluminio.
- No seguir estas instrucciones puede ocasionar la muerte o incendio.

**ADVERTENCIA:** Para reducir el riesgo de incendio, esta secadora DEBE VENTILARSE HACIA EL EXTERIOR.

**IMPORTANTE:** Observe todos los códigos y ordenanzas aplicables.

El ducto de escape de la secadora no debe conectarse en ningún ducto de gas, chimenea, pared, techo, desván, espacio angosto o el espacio oculto de un edificio. Deberá usarse solamente un ducto de metal rígido o flexible para la ventilación.



Ducto de escape de metal pesado de 4" (102 mm)

- Sólo puede usarse un ducto de escape de metal pesado de 4" (102 mm) y abrazaderas.
- No utilice un ducto de escape de plástico ni de aluminio.

### Ducto de escape de metal rígido:

- Se recomienda para un mejor desempeño en el secado y para evitar que se aplaste o se tuerza.

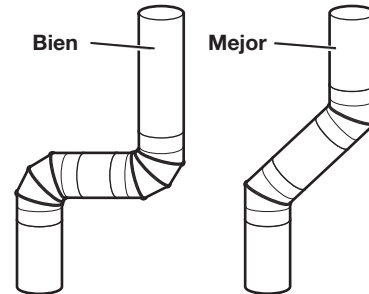
**Ducto de escape de metal flexible:** (Es aceptable sólo si es accesible para la limpieza)

- Deberá extenderse por completo y tener soporte en la ubicación final de la secadora.
- Quite el exceso del mismo para evitar que se doble y se tuerza, lo cual podría dar lugar a una reducción del flujo de aire y a un rendimiento insuficiente.
- No instale un ducto de escape de metal flexible en paredes, techos o pisos encerrados.
- La longitud total no deberá exceder los 7¾ pies (2,4 m).

**NOTA:** Si se usa un sistema de ventilación existente, limpie la pelusa que está en toda la longitud del sistema y asegúrese de que la capota de ventilación no esté obstruida con pelusa. Reemplace los ductos de escape de plástico o de hoja de metal por ductos de metal rígido o de metal flexible. Revise el "Cuadro del sistema de ventilación" y, si es necesario, modifique el sistema de ventilación existente para lograr el mejor desempeño de secado.

### Codos:

- Los codos de 45° proveen un mejor flujo de aire que los codos de 90°.



### Abrazaderas:

- Utilice abrazaderas para sellar todas las juntas.
- No debe conectarse ni asegurarse el ducto de escape con tornillos ni con ningún otro dispositivo de sujeción que se extienda hacia el interior de dicho ducto y atrape pelusa. No utilice cinta para ductos.



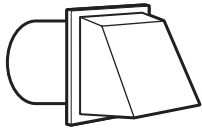
**La ventilación inadecuada puede ocasionar la acumulación de humedad y pelusa en la casa, lo cual puede dar como resultado:**

- Daños de humedad en la carpintería, muebles, pintura, empapelado, alfombras, etc.
- Problemas en la limpieza de la casa y de salud.

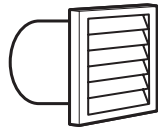
# REQUISITOS DE VENTILACIÓN DE LA SECADORA

## Capotas de ventilación

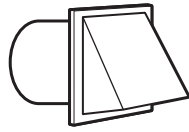
### Capotas de ventilación de 4" (102 mm) de diámetro



Capota tipo caja

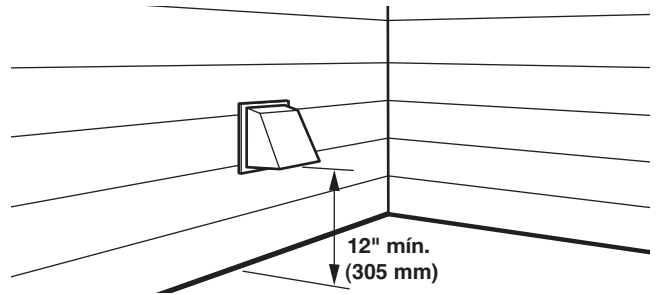


Capota tipo persiana



Capota angular

La capota de ventilación debe estar por lo menos a 12" (305 mm) de distancia del piso o de cualquier objeto que pudiese estar en el trayecto del ducto de escape (como flores, rocas, arbustos o nieve).



## Largo del sistema de ventilación

### Largo máximo del ducto de ventilación/ Conexión de la ventilación

La longitud máxima del sistema de ventilación depende del tipo de ducto que se use, el número de codos y el tipo de capota de ventilación.

Cuadro del sistema de ventilación  
(ducto de escape de metal rígido)

Nº de vueltas de 90°	Capota tipo caja y tipo persiana	Capota angular
0	64 pies (19,5 m)	58 pies (17,7 m)
1	54 pies (16,5 m)	48 pies (14,6 m)
2	44 pies (13,4 m)	38 pies (11,6 m)
3	35 pies (10,7 m)	29 pies (8,8 m)
4	27 pies (8,2 m)	21 pies (6,4 m)

Para los sistemas de ventilación que no se incluyan en el cuadro de especificaciones de ventilación, póngase en contacto con su distribuidor de piezas.

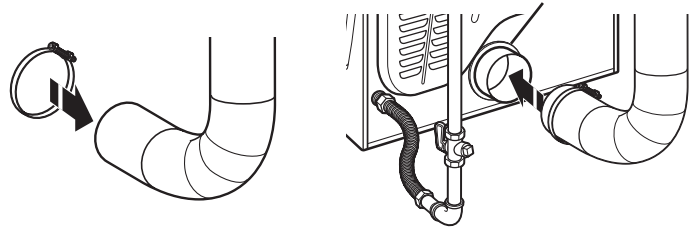
Se deben realizar provisiones para que haya suficiente aire para la combustión y la ventilación (verifique los códigos y reglamentos aplicables). Consulte "Instrucciones para la instalación empotrada" en las secciones "Ubicación de la lavadora/secadora a gas apiladas" y "Ubicación de la lavadora/secadora eléctrica apiladas."

Se prefiere una capota de salida de 4" (102 mm). Aún así, podrá usarse una salida de escape de 2½" (64 mm). Una salida de 2½" (64 mm) ocasiona mayor contrapresión que los otros tipos de capotas. Para una instalación permanente, se necesita un sistema fijo de ventilación.

### Conexión del ducto de escape

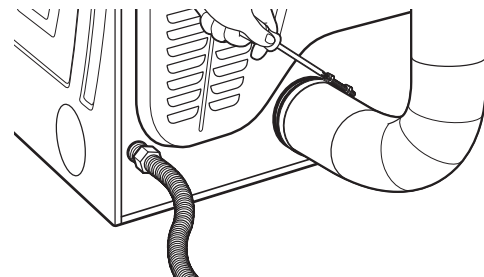
1. Si se conecta a un ducto de escape existente, asegúrese de que el mismo esté limpio.
2. Usando una abrazadera de 4" (102 mm), conecte el ducto de escape a la salida de aire en la secadora.

Collar del ducto de escape

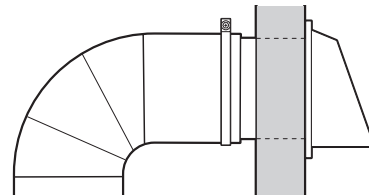


**NOTA:** No quite el collar del ducto de escape.

3. Apriete la abrazadera de manguera con un destornillador Phillips.



4. Cerciórese de que el ducto de escape esté asegurado a la capota de ventilación con una abrazadera de 4" (102 mm).

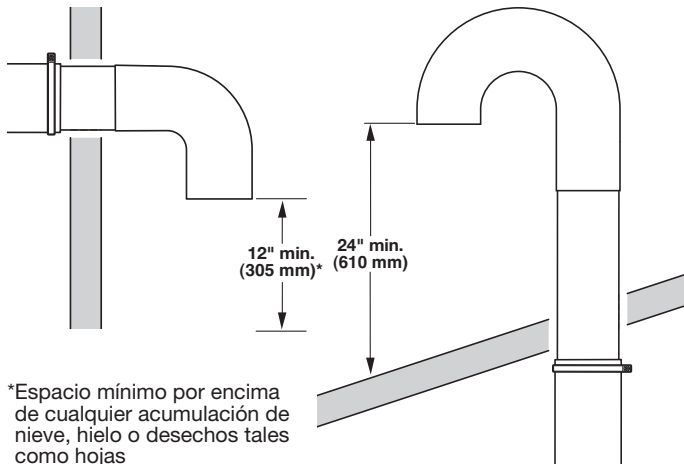


5. Mueva la secadora a su posición final. No aplaste ni retuerza el ducto de escape. Asegúrese de que la secadora esté nivelada.

# REQUISITOS DE VENTILACIÓN DE LA SECADORA

## Si no puede usarse una capota de ventilación

El extremo exterior del ducto de ventilación principal debe tener un codo redondo dirigido hacia abajo.



Si el ducto de ventilación principal tiene una trayectoria vertical a través del techo en vez de la pared, instale un codo redondo de 180° en el extremo del ducto, a un mínimo de 2 pies (610 mm) por arriba de la superficie del techo.

La abertura en la pared o el techo deberá tener un diámetro de 1/2" (13 mm) mayor que el diámetro del ducto. El ducto debe centrarse en la abertura.

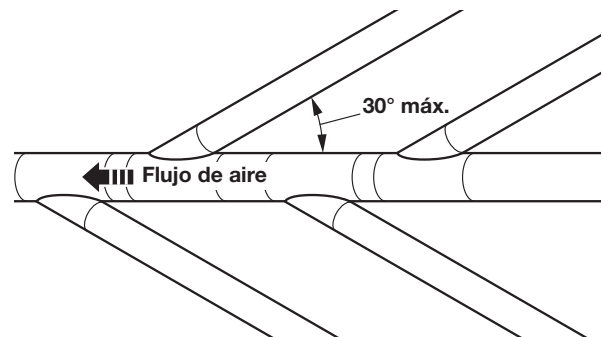
Para obtener el mejor desempeño, no debe instalar una pantalla sobre el extremo del ducto.

## Ventilación para múltiples secadoras

Puede usarse un ducto de ventilación principal para la ventilación de un grupo de secadoras. El ducto principal deberá tener el tamaño adecuado para sacar 200 CFM (pies cúbicos por minuto) de aire por cada secadora. Pueden usarse filtros de pelusa de gran capacidad con el diseño adecuado en el ducto principal si se controlan y se limpian con frecuencia. La habitación en donde estén ubicadas las secadoras deberá tener aire de reposición suficiente o mayor que los CFM de todas las secadoras en la habitación.

Un juego de compuerta de contratiro, Pieza N° 3391910, se encuentra disponible con su distribuidor y se debe instalar en el ducto de cada secadora, para evitar que el aire de escape regrese a las secadoras, así como para mantener el ducto de escape equilibrado con el ducto principal. Se requieren aberturas de aire de retorno sin obstrucciones.

Cada ducto deberá entrar en el ducto de escape principal a un ángulo que apunte hacia la dirección del flujo de aire. Los ductos que entran del lado opuesto deberán alternarse para reducir la interferencia del aire de salida con los otros ductos.



El ángulo máximo de cada ducto que entra en el ducto principal deberá ser no más de 30°.

# REQUISITOS DEL SUMINISTRO DE GAS DE LA SECADORA

## Tipo de gas

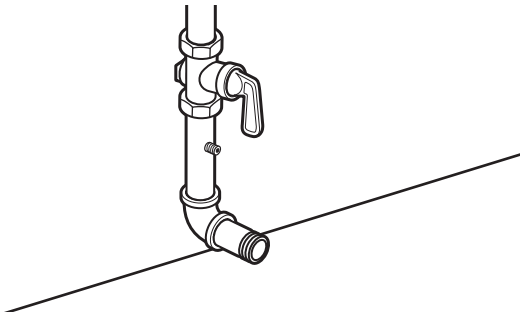
Esta secadora está equipada para uso con gas natural. Está certificada por UL para uso con gas propano con la conversión apropiada. No se deberá hacer intento alguno para convertir la secadora del gas especificado en la placa indicadora de la serie/clasificación para utilizar un gas distinto sin consultar con el abastecedor de gas. La conversión deberá llevarla a cabo un técnico de servicio calificado.

Los números de pieza del juego de conversión de gas se indican en la base del quemador de la válvula de gas.

## Línea de suministro de gas

### Método recomendado

Provea una línea de suministro de gas de tubería rígida (IPS) de 1/2" (13 mm) hacia la ubicación de la secadora. Pueden usarse compuestos para uniones de tubería que sean resistentes a la acción del gas propano. No utilice cinta TEFLON.<sup>®†</sup> Con el gas propano, el tamaño de la tubería puede ser de un mínimo de 1/2" (13 mm). Por lo general, los proveedores de gas propano determinan el tamaño y los materiales a usarse en el sistema.



### Prueba de presión del suministro de gas

Se debe instalar una derivación tapada NPT de por lo menos 1/8" (3 mm), accesible para las pruebas de calibre, inmediatamente debajo de la válvula de cierre instalada que va a la secadora (como se muestra arriba). Se debe desconectar la secadora del sistema de tubería del suministro de gas, siempre que se hagan pruebas de presión de dicho sistema a presiones de prueba que excedan 1/2 lb/pulg<sup>2</sup> (352 kg/m<sup>2</sup>).

### Método alternativo

El suministro de gas también se puede conectar usando tubería aprobada de cobre o aluminio de 3/8" (10 mm). Si la longitud total de la línea de suministro es mayor que 20 pies (6,1 m), deberá usarse tubos más largos.

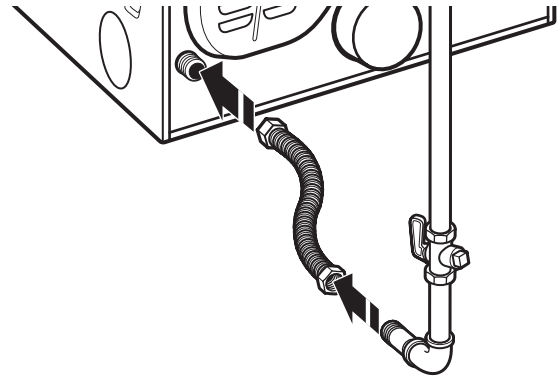
Si va a usar gas natural, no use tubería de cobre. Deben usarse compuestos para uniones de tubería que sean resistentes a la acción del tipo de gas provisto.

### Se requiere una válvula de cierre

La línea de suministro debe estar equipada con una válvula de cierre manual instalada a una distancia menor de 6 pies (1,8 m) de la secadora, de acuerdo al National Fuel Gas Code (Código nacional de gas combustible), ANSI Z223.1. Esta válvula debe encontrarse en la misma habitación que la secadora. Deberá estar en una ubicación que permita un fácil acceso para abrir y cerrar. No bloquee el acceso a la válvula de cierre.

### Conector flexible de metal para el aparato

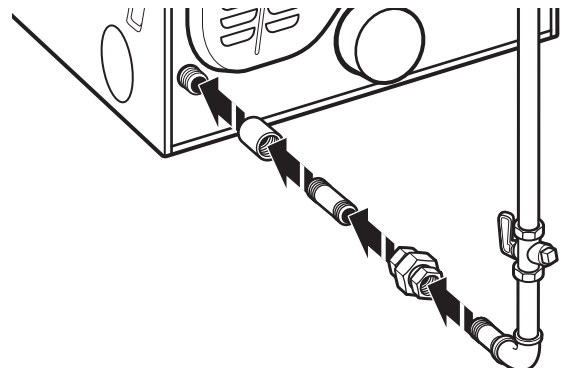
Se recomienda usar una nueva línea flexible de gas de acero inoxidable, cuyo diseño esté certificado por CSA, para conectar la secadora a la línea de suministro de gas (el tubo de gas, que se extiende a través de la parte posterior inferior de la secadora, está suministrado con una rosca macho para tubería de 3/8" [10 mm]).



**NOTA:** No tuerza ni dañe la línea de gas flexible de acero inoxidable cuando mueva la secadora.

### Conexión de tubería rígida

La conexión de tubería rígida requiere una combinación de accesorios de tubería para obtener una conexión en línea hacia la secadora.



†<sup>®</sup>TEFLON es una marca registrada de Chemours.



# INSTALACIÓN DE LA LAVADORA/SECADORA APILADAS

## Quite el sistema de transporte

**NOTA:** Deslice la lavadora/secadora sobre un pedazo de cartón o madera dura antes de moverla para no dañar el acabado del piso.

### ⚠ ADVERTENCIA

#### Peligro de Peso Excesivo

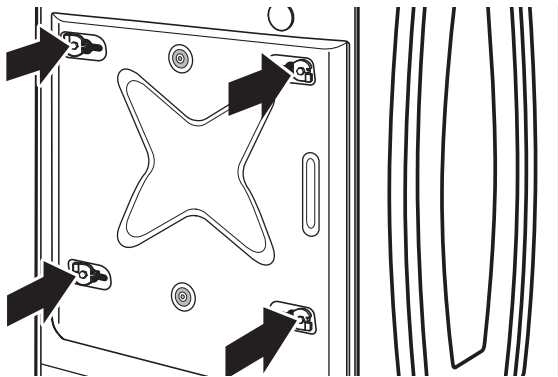
Use dos o más personas para mover e instalar la lavadora/secadora.

No seguir esta instrucción puede ocasionar una lesión en la espalda u otro tipo de lesiones.

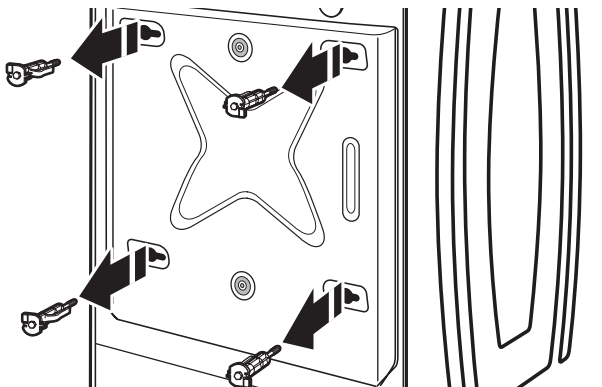
**IMPORTANTE:** Coloque la lavadora/secadora de modo que la parte posterior de la lavadora esté aproximadamente a 3 pies (900 mm) de distancia de su ubicación final.

Hay cuatro pernos de transporte en el panel posterior de la lavadora que sostienen el sistema de suspensión durante el transporte. Estos pernos también retienen el cable de suministro de energía dentro de la lavadora hasta que se quiten los pernos.

1. Mantenga la lavadora/secadora en posición vertical mientras quita los pernos de transporte.
2. Afloje cada uno de los pernos con una llave de tuercas de 1/2" (13 mm).

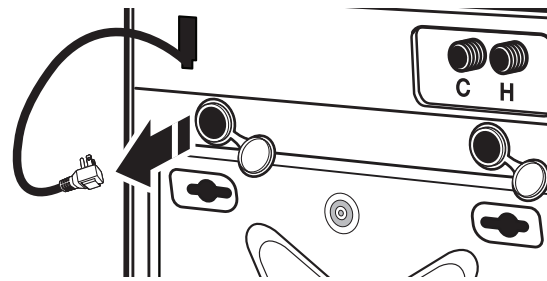
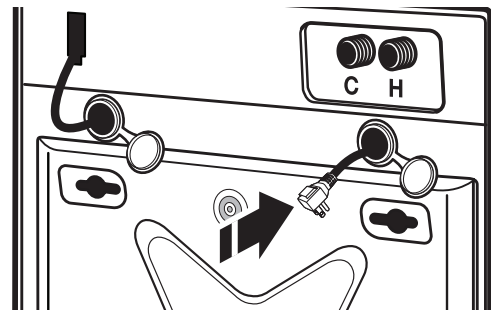


3. Una vez que el perno esté flojo, muévelo hacia el centro del orificio y jálalo hacia fuera por completo, incluyendo el espaciador de plástico que cubre el perno. Una vez que se hayan quitado los cuatro pernos, descarte los pernos y los espaciadores.

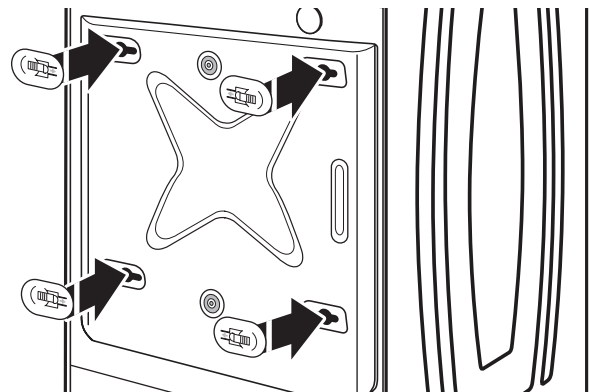


4. Modelos con suministro de energía de lavadora separada: Empuje el cable de suministro de energía dentro de la abertura, en lado derecho del panel posterior, y jale el cable de suministro de energía a través de la abertura en el lado izquierdo del panel posterior; cierre los orificios con la tapa provista. No jale el extremo del cable de suministro de energía a través del orificio del lado derecho.

**NOTA:** Si no es posible jalar el cable fuera de la parte posterior de la lavadora fácilmente, no lo fuerce para evitar que las piezas interiores de la lavadora o el cable de suministro de energía se dañen. Quite el panel posterior de la lavadora y pase el cable de suministro de energía por el espacio libre de la obstrucción para sacarlo por el orificio en el lado izquierdo del panel posterior.



5. Cierre los orificios de los pernos con los cuatro tapones para orificios de pernos de transporte.



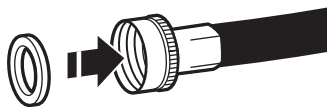
**IMPORTANTE:** Si se va a transportar la lavadora/secadora, llame al distribuidor o el instalador del producto. Para prevenir daños estructurales y de suspensión, su lavadora/secadora debe estar debidamente preparada para ser nuevamente ubicada por un profesional competente.



# INSTALACIÓN DE LA LAVADORA/SECADORA APILADAS

## Conexión de las mangueras de entrada

Inserte las nuevas arandelas para manguera (suministradas) en cada extremo de las mangueras de entrada. Asiente firmemente las arandelas en los acoplamientos.

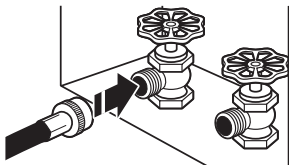


Arandela Acoplamiento

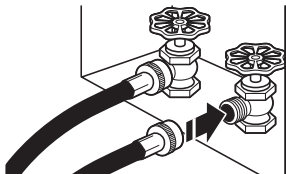
## Conecte las mangueras de entrada a los grifos del agua

Asegúrese de que el tambor de la lavadora esté vacío.

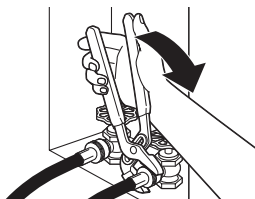
1. Sujete una manguera al grifo de agua caliente. Atornille el acoplamiento con la mano hasta que se asiente en la arandela.



2. Sujete una manguera al grifo de agua fría. Atornille el acoplamiento con la mano hasta que se asiente en la arandela.



3. Usando las pinzas, apriete los acoplamientos dos tercios de vuelta adicional.



**NOTA:** No apriete la válvula en exceso ni use cinta o selladores en la misma. Se pueden dañar las válvulas.

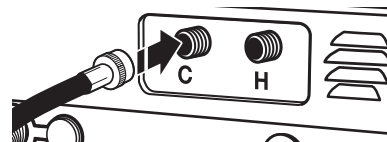
## Despeje las líneas de agua

- Deje correr el agua de los grifos y las mangueras de desagüe en un lavadero, tubo de desagüe o cubeta para eliminar las partículas que se encuentran en las tuberías del agua, las cuales podrían obstruir los filtros de la válvula de entrada.
- Verifique la temperatura del agua para asegurarse de que la manguera de agua caliente esté conectada al grifo de agua caliente y que la manguera de agua fría esté conectada al grifo de agua fría.

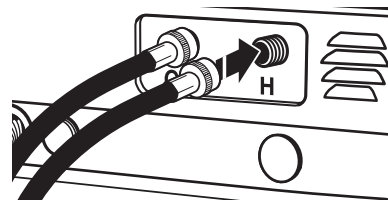


## Conecte las mangueras de entrada a la lavadora

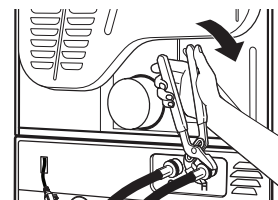
1. Fije la manguera de agua fría a la válvula de entrada de agua fría de la lavadora. Atornille el acoplamiento con la mano hasta que se asiente en la arandela.



2. Fije la manguera de agua caliente a la válvula de entrada de agua caliente de la lavadora. Atornille el acoplamiento con la mano hasta que se asiente en la arandela.

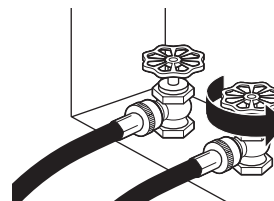


3. Usando las pinzas, apriete los acoplamientos dos tercios de vuelta adicional.



**NOTA:** No apriete demasiado. Se puede dañar la válvula.

4. Abra por completo los grifos del agua y revise si hay fugas.



**NOTA:** Reemplace las mangueras de entrada después de 5 años de uso para reducir el riesgo de que fallen. Para consulta en el futuro, anote en las mangueras la fecha de instalación o la fecha de reposición de las mismas.

Inspeccione periódicamente y reemplace las mangueras si aparecen bultos, torceduras, cortaduras, desgaste o fugas.

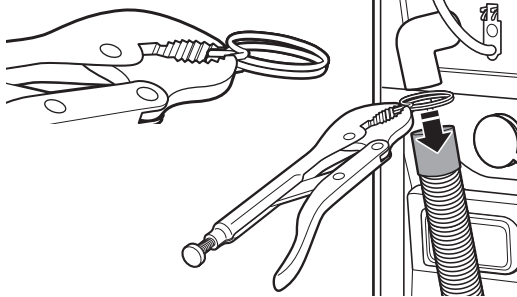
# INSTALACIÓN DE LA LAVADORA/SECADORA APILADAS

## Dirija la manguera de desagüe

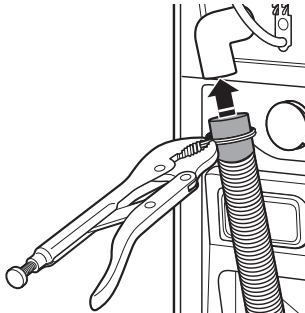
El tendido apropiado de la manguera de desagüe evita daños a sus pisos ocasionados por filtraciones de agua. Lea y siga estas instrucciones.

### Retire la manguera de desagüe de la canasta de la lavadora

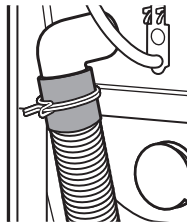
1. Usando pinzas de presión, apriete las lengüetas de la abrazadera para manguera para unir las, e insértelas en el extremo de la manguera de desagüe.



2. Deslice la manguera de desagüe en la conexión de la lavadora.

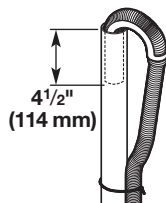
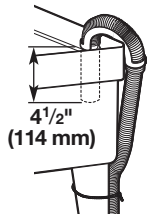


3. Una vez que la manguera de desagüe esté en su lugar, deje de apretar las pinzas.



## Asegure la manguera de desagüe

1. Coloque el cable de suministro de energía encima de la lavadora.
2. Mueva la lavadora a su ubicación final.
3. Ubique la manguera de desagüe en la tina de lavadero o tubo vertical, como se muestra.
4. Asegure la manguera de desagüe con el fleje de atadura rebordeado suministrado.



4. El sistema de desagüe de la lavadora se puede instalar utilizando un desagüe de piso, un tubo vertical de pared, un tubo vertical de piso o una tina de lavadero.

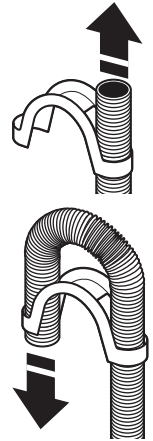
### Desagüe de la tina de lavadero o desagüe de tubo vertical

Conecte el molde de la manguera de desagüe a la manguera de desagüe corrugada.

Encaje cualquiera de los extremos del molde de la manguera de desagüe a la manguera de desagüe en el lugar donde comienza el corrugado.

Doble la manguera de desagüe sobre el molde de la manguera de desagüe y trábela en su lugar.

**NOTA:** La manguera no se debe extender más de 1" (25" mm) más allá del extremo del doblé en U.



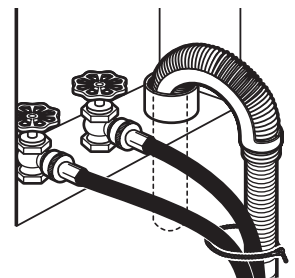
### Para evitar que el agua de desagüe vuelva a su lavadora:

- No enderece la manguera de desagüe ni fuerce el exceso de la misma dentro del tubo vertical. La manguera debe quedar asegurada pero lo suficientemente floja que permita un espacio para el aire.
- No tienda el exceso de la manguera en el fondo de la tina del lavadero.

### Desagüe por el piso

Quizás necesite piezas adicionales. Ver "Piezas adicionales."

5. Si los grifos de suministro de la lavadora y el tubo vertical de desagüe están empotrados, ponga el extremo en forma de gancho de la manguera de desagüe en el tubo vertical, como se muestra.



### NOTAS:

- No fuerce el exceso de la manguera de desagüe dentro de la parte posterior de la lavadora.
- Para evitar el sifonaje de agua, no selle la manguera de desagüe en el tubo vertical.

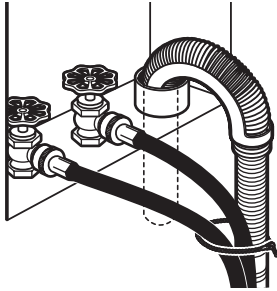
# SISTEMA DE DESAGÜE DE LA LAVADORA

Se puede instalar la lavadora utilizando el sistema de desagüe por tubo vertical (en el piso o en la pared), el sistema de desagüe por la tina de lavadero o el sistema de desagüe por el piso.

## Sistema de desagüe por tubo vertical: pared o piso

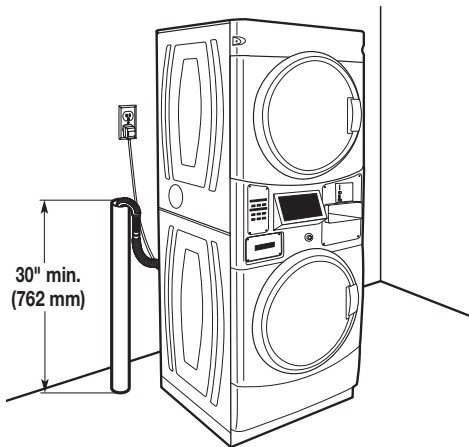
El desagüe por tubo vertical necesita un tubo vertical con un diámetro mínimo de 2" (51 mm). La capacidad mínima de desagüe no puede ser menor de 10 gal (38 L) por minuto.

### Pared



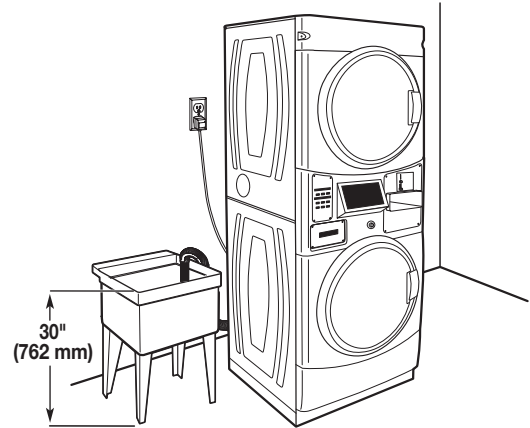
La parte superior del tubo vertical debe tener una altura mínima de 30" (762 mm) y máxima de 96" (2,4 m) desde la parte inferior de la lavadora.

### Piso



## Sistema de desagüe de tina de lavadero

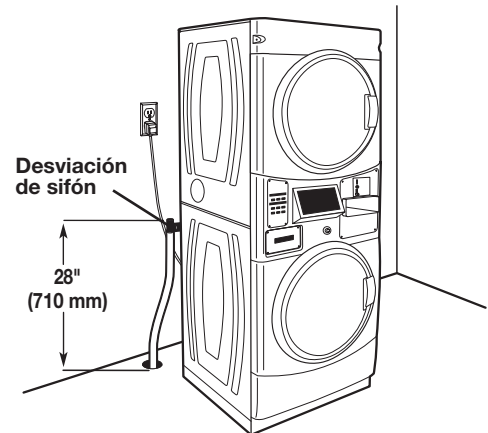
La tina de lavadero necesita una capacidad mínima de 20 gal. (76 L). La parte superior de la tina de lavadero debe estar a una altura mínima de 30" (762 mm) del piso.



## Sistema de desagüe por el piso

El sistema de desagüe por el piso necesita una desviación de sifón que puede adquirirse por separado.

La desviación de sifón (Pieza número 285834) debe estar a una distancia mínima de 28" (710 mm) de la parte inferior de la lavadora. Se pueden necesitar mangueras adicionales.



# CONEXIONES ELÉCTRICAS DE LA SECADORA ELÉCTRICA

Opciones de conexión eléctrica			
Si su lugar tiene:		Y usted va a conectar con:	Vaya a la sección
Contacto de 4 hilos (tipo NEMA 14-30R)		Un cable de suministro de energía para secadora, aprobado de UL, de 120/240 voltios mínimo y 30 amperios*	Cable de suministro de energía, conexión de 4 hilos
Contacto de 3 hilos (tipo NEMA 10-30R)		Un cable de suministro de energía para secadora, aprobado de UL, de 120/240 voltios mínimo y 30 amperios*	Cable de suministro de energía, conexión de 3 hilos
Cable directo de 4 hilos		Un desconectador con fusible o una caja de cortacircuitos*	Cable directo, conexión de 4 hilos
Cable directo de 3 hilos		Un desconectador con fusible o una caja de cortacircuitos*	Cable directo, conexión de 3 hilos

\* Si los códigos locales no permiten la conexión de un conductor para conexión a tierra de la carcasa al hilo neutro, vaya a la sección "Opcional, conexión de 3 hilos."

## Cable de suministro de energía

### ⚠ ADVERTENCIA



#### Peligro de Incendio

Use un cable de suministro eléctrico nuevo de 30 amperes que esté en la lista de UL.

Use un protector de cables que esté en la lista de UL.

Desconecte el suministro eléctrico antes de hacer las conexiones eléctricas.

Conecte el alambre neutro (el blanco o el del centro) al terminal central.

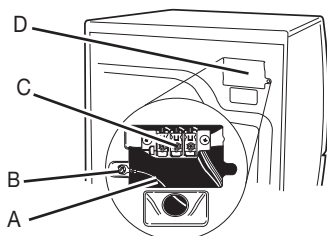
El alambre de tierra (el verde o el no aislado) se debe conectar con el conector verde de tierra.

Conecte los 2 alambres de suministro restantes con las 2 terminales restantes (las doradas).

Apriete firmemente todas las conexiones eléctricas.

No seguir estas instrucciones puede ocasionar la muerte, incendio, o choque eléctrico.

1. Desconecte el suministro de energía.
2. Quite el tornillo de sujeción y la tapa del bloque de terminal.



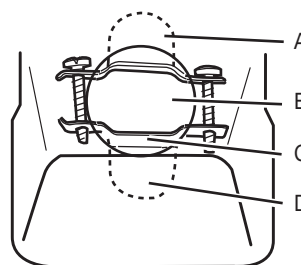
- A. Hilo neutro de puesta a tierra
- B. Tornillo conductor a tierra externo
- C. Tornillo central del bloque de terminal
- D. Tapa del bloque de terminal y el tornillo de sujeción

3. Instale el protector de cables del cable de suministro de energía.

### Protector de cables del cable de suministro de energía:

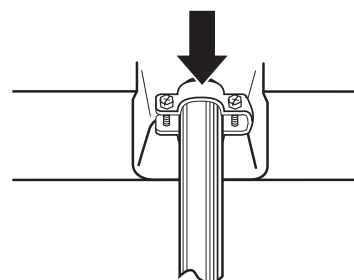
- Quite los tornillos de un protector de cables de 3/4" (19 mm) que esté en la lista de UL. Coloque las lengüetas de las dos secciones de la abrazadera en el orificio que está debajo de la abertura del bloque de terminal de manera que una lengüeta esté apuntando hacia arriba y la otra esté apuntando hacia abajo, y sujételas en su lugar.

Apriete los tornillos del protector de cables sólo lo suficiente para mantener las dos secciones de la abrazadera juntas.



- A. Lengüeta del protector de cables apuntando hacia arriba
- B. Orificio debajo de la abertura del bloque de terminal
- C. Sección de la abrazadera
- D. Lengüeta del protector de cables apuntando hacia abajo

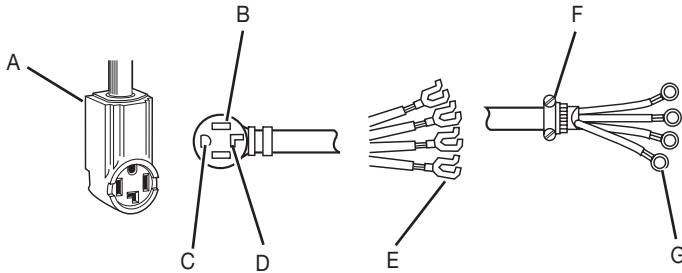
- Haga pasar el cable de suministro de energía a través del protector de cables. Asegúrese de que el aislamiento de cables del cable de suministro de energía esté dentro del protector de cables. El protector de cables deberá encajar de manera ajustada con la carcasa de la secadora y estar en posición horizontal. No ajuste más los tornillos del protector de cables en este momento.



# CONEXIONES ELÉCTRICAS DE LA SECADORA ELÉCTRICA

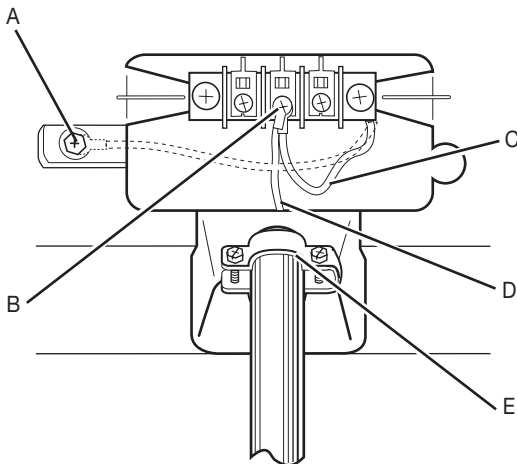
## Cable de suministro de energía, conexión de 4 hilos:

**IMPORTANTE:** Se necesita una conexión de 4 hilos donde los códigos locales no permitan las conexiones de 3 hilos.



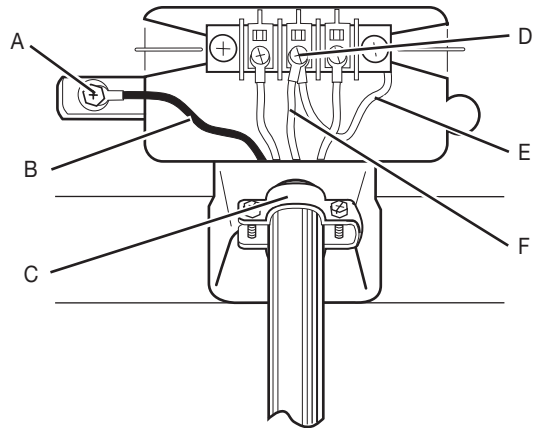
- A. Contacto de 4 hilos (tipo NEMA 14-30R)
- B. Enchufe de 4 terminales
- C. Terminal de puesta a tierra
- D. Terminal neutro
- E. Conectores de horquilla con los extremos hacia arriba
- F. Protector de cables de 3/4" (19 mm) que esté en la lista de UL
- G. Conectores de anillo

1. Quite el tornillo central del bloque de terminal.
2. Saque el hilo neutro de puesta a tierra del tornillo conductor a tierra externo. Conecte el hilo neutro de puesta a tierra y el hilo neutro (hilo blanco o central) del cable de suministro de energía debajo del tornillo central del bloque de terminal. Apriete el tornillo.



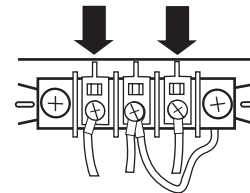
- A. Tornillo conductor a tierra externo – La línea punteada muestra la posición del hilo NEUTRO de puesta a tierra antes de moverse al tornillo central del bloque de terminal
- B. Tornillo central del bloque de terminal
- C. Hilo neutro de puesta a tierra
- D. Hilo neutro (hilo blanco o central)
- E. Protector de cables de 3/4" (19 mm) que esté en la lista de UL

3. Conecte el hilo de puesta a tierra (verde o desnudo) del cable de suministro de energía al tornillo conductor a tierra externo. Apriete el tornillo.



- A. Tornillo conductor a tierra externo
- B. Hilo de puesta a tierra (verde o desnudo) del cable de suministro de energía
- C. Protector de cables de 3/4" (19 mm) que esté en la lista de UL
- D. Tornillo central del bloque de terminal
- E. Hilo neutro de puesta a tierra
- F. Hilo neutro (hilo blanco o central)

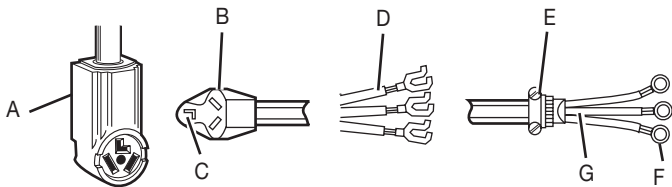
4. Conecte los hilos restantes a los tornillos externos del bloque de terminal. Apriete los tornillos.



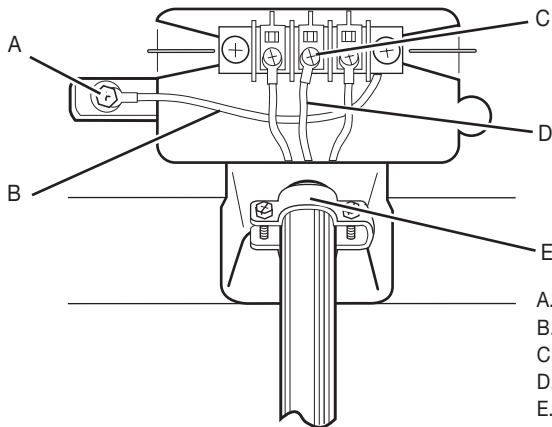
5. Apriete los tornillos del protector de cables.
6. Inserte la lengüeta de la tapa del bloque de terminal dentro de la ranura del panel posterior de la secadora. Asegure la tapa con un tornillo de sujeción.
7. Usted ha completado la conexión eléctrica.

# CONEXIONES ELÉCTRICAS DE LA SECADORA ELÉCTRICA

## Cable de suministro de energía, conexión de 3 hilos:



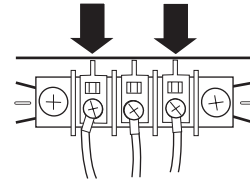
- A. Contacto de 3 hilos (tipo NEMA 10-30R)
- B. Enchufe de 3 terminales
- C. Terminal neutro
- D. Conectores de horquilla con los extremos hacia arriba
- E. Protector de cables de 3/4" (19 mm) que esté en la lista de UL
- F. Conectores de anillo
- G. Hilo neutro (hilo blanco o central)



- A. Tornillo conductor a tierra externo
- B. Hilo neutro de puesta a tierra
- C. Tornillo central del bloque de terminal
- D. Hilo neutro (hilo blanco o central)
- E. Protector de cables de 3/4" (19 mm) que esté en la lista de UL

## Úselo donde los códigos locales permitan la conexión del conductor de tierra de la carcasa al hilo neutro.

1. Afloje o quite el tornillo central del bloque de terminal.
2. Conecte el hilo neutro (hilo blanco o central) del cable de suministro de energía al tornillo central del bloque de terminal. Apriete el tornillo.
3. Conecte los hilos restantes a los tornillos externos del bloque de terminal. Apriete los tornillos.



4. Apriete los tornillos del protector de cables.
5. Inserte la lengüeta de la tapa del bloque de terminal dentro de la ranura del panel posterior de la secadora. Asegure la tapa con un tornillo de sujeción.
6. Usted ha completado la conexión eléctrica.

# CONEXIONES ELÉCTRICAS DE LA SECADORA ELÉCTRICA

## Método de cable directo

### ⚠ ADVERTENCIA



#### Peligro de Incendio

Utilice alambre de cobre de calibre 10.

Use un protector de cables que esté en la lista de UL.

Desconecte el suministro eléctrico antes de hacer las conexiones eléctricas.

Conecte el alambre neutro (el blanco o el del centro) a la terminal central.

El alambre de tierra (el verde o el no aislado) se debe conectar con el conector verde de tierra.

Conecte los 2 alambres de suministro restantes con las 2 terminales restantes (las doradas).

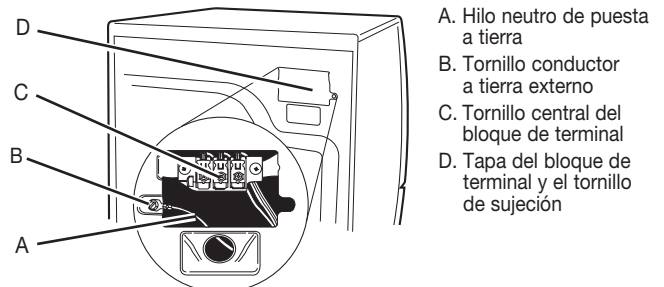
Apriete firmemente todas las conexiones eléctricas.

No seguir estas instrucciones puede causar la muerte, incendio o choque eléctrico.

El cable directo debe ser igual al suministro de energía (de 4 hilos o de 3 hilos) y debe ser:

- Cable blindado flexible o cable de cobre forrado no metálico (con hilo de puesta a tierra), protegido con un conducto metálico flexible. Todos los hilos conductores de corriente deben estar aislados.
- Hilo de cobre de calibre 10 (no utilice aluminio).
- Tener por lo menos 5 pies (1,52 m) de longitud.

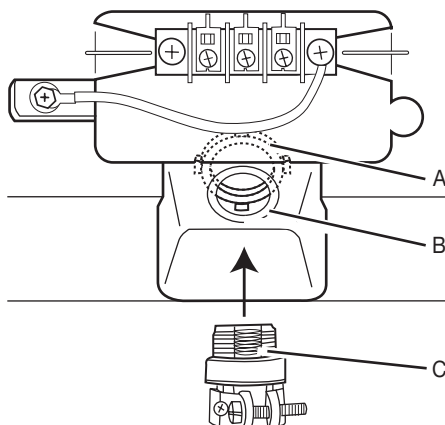
1. Desconecte el suministro de energía.
2. Quite el tornillo de sujeción y la tapa del bloque de terminal.



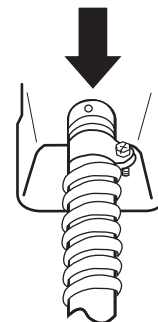
3. Instale el protector de cables del cable de suministro de energía.
4. Complete la instalación siguiendo las instrucciones que corresponden al tipo de conexión eléctrica que usted tiene:
  - 4 hilos (método recomendado)
  - 3 hilos (si no existe conexión de 4 hilos)

#### Protector de cables para cable directo:

- Desatornille el conector de conducto removible y cualquier tornillo del protector de cables de 3/4" (19 mm) que está en la lista de UL. Haga pasar la sección trenzada del protector de cables a través del orificio que está debajo de la abertura del bloque de terminal. Busque dentro de la abertura del bloque de terminal y atornille el conector de conducto removible sobre las roscas del protector de cables.



- A. Conector de conducto removible  
B. Orificio que está debajo de la abertura del bloque de terminal  
C. Roscas del protector de cables



- Haga pasar el cable directo a través del protector de cables. El protector de cables deberá encajar de manera ajustada con la carcasa de la secadora y estar en posición horizontal. Apriete el tornillo del protector de cables contra el cable directo.



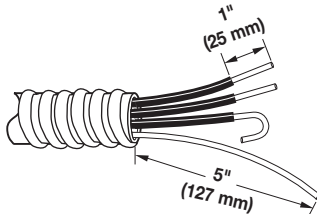
# CONEXIONES ELÉCTRICAS DE LA SECADORA ELÉCTRICA

## Cable directo, conexión de 4 hilos:

**IMPORTANTE:** Se necesita una conexión de 4 hilos donde los códigos locales no permitan las conexiones de 3 hilos.

El cable del hilo directo deberá tener 5 pies (1,52 m) de largo adicional, para poder mover la secadora si es necesario.

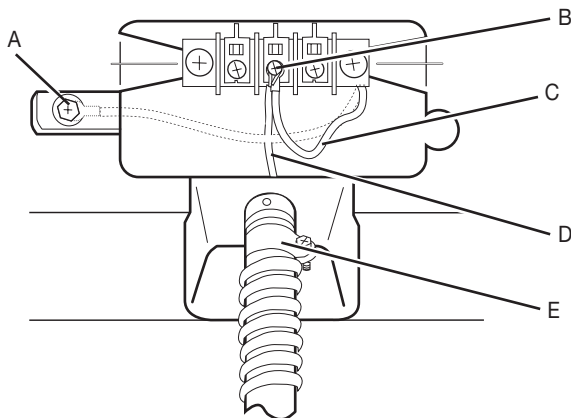
Pelee 5" (127 mm) de la cubierta exterior del extremo del cable, dejando el cable a tierra desnudo a 5" (127 mm). Corte 1½" (38 mm) de los tres hilos restantes. Pelee el aislamiento 1" (25 mm). Dé forma de gancho a los extremos de los hilos.



Cuando haga la conexión al bloque de terminal, coloque el extremo del hilo en forma de gancho debajo del tornillo del bloque de terminal (con el gancho mirando hacia la derecha), apriete los extremos en forma de gancho hasta juntarlos y asegure el tornillo, como se muestra.

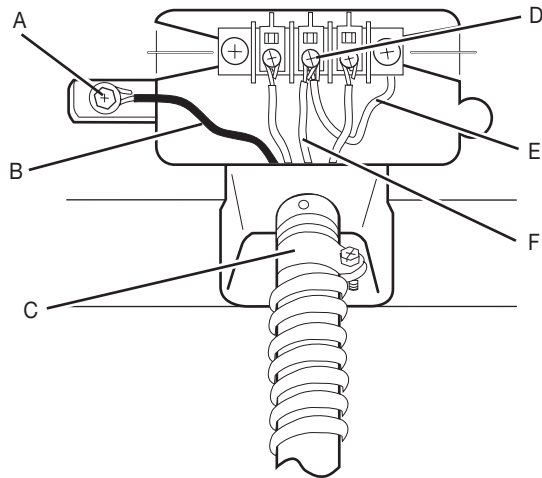


1. Quite el tornillo central del bloque de terminal.
2. Saque el hilo neutro de puesta a tierra del tornillo conductor a tierra externo. Conecte el hilo neutro de puesta a tierra y coloque el extremo en forma de gancho (gancho mirando hacia la derecha) del hilo neutro (blanco o central) del cable directo debajo del tornillo central del bloque de terminal. Apriete los extremos en forma de gancho. Apriete el tornillo.



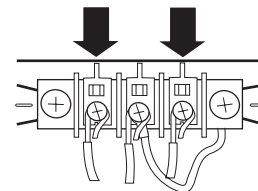
- A. Tornillo conductor a tierra externo – La línea punteada muestra la posición del hilo NEUTRO de puesta a tierra antes de moverse al tornillo central del bloque de terminal.
- B. Tornillo central del bloque de terminal
- C. Hilo neutro de puesta a tierra
- D. Hilo neutro (hilo blanco o central)
- E. Protector de cables de 3/4" (19 mm) que esté en la lista de UL

3. Conecte el hilo de puesta a tierra (verde o desnudo) del cable directo al tornillo conductor a tierra externo. Apriete el tornillo.



- A. Tornillo conductor a tierra externo
- B. Hilo de puesta a tierra (verde o desnudo) del cable directo
- C. Protector de cables de 3/4" (19 mm) que esté en la lista de UL
- D. Tornillo central del bloque de terminal
- E. Hilo neutro de puesta a tierra
- F. Hilo neutro (hilo blanco o central)

4. Coloque los extremos en forma de gancho de los hilos restantes del cable directo debajo de los tornillos exteriores del bloque de terminal (con los ganchos mirando hacia la derecha). Apriete los extremos en forma de gancho. Apriete los tornillos.



5. Apriete el tornillo del protector de cables.
6. Inserte la lengüeta de la tapa del bloque de terminal dentro de la ranura del panel posterior de la secadora. Asegure la tapa con un tornillo de sujeción.
7. Usted ha completado la conexión eléctrica.

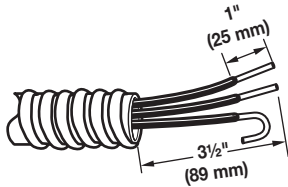
# CONEXIONES ELÉCTRICAS DE LA SECADORA ELÉCTRICA

## Cable directo, conexión de 3 hilos:

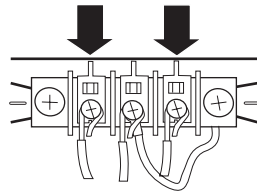
Úselo donde los códigos locales permitan la conexión del conductor de tierra de la carcasa al hilo neutro.

El cable del hilo directo deberá tener 5 pies (1,52 m) de largo adicional, para poder mover la secadora si es necesario.

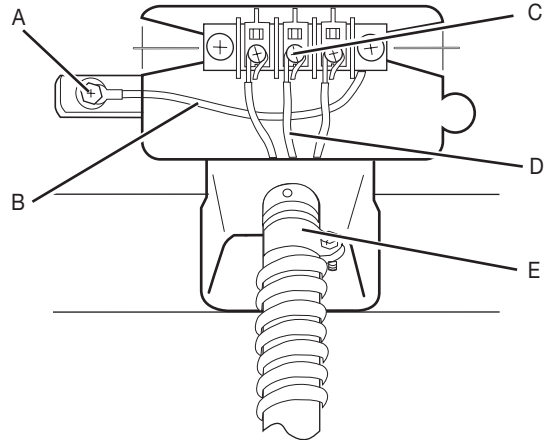
Pele 3½" (89 mm) de la cubierta exterior del extremo del cable. Pele el aislamiento 1" (25 mm). Si va a usar el cable de 3 hilos con hilo de puesta a tierra, corte el hilo desnudo alineado con la cubierta exterior. Dé forma de gancho a los extremos de los hilos.



Cuando haga la conexión al bloque de terminal, coloque el extremo del hilo en forma de gancho debajo del tornillo del bloque de terminal (con el gancho mirando hacia la derecha), apriete los extremos en forma de gancho hasta juntarlos y asegure el tornillo, como se muestra.



1. Afloje o quite el tornillo central del bloque de terminal.
2. Coloque el extremo en forma de gancho del hilo neutro (hilo blanco o central) del cable directo debajo del tornillo central del bloque de terminal (gancho mirando hacia la derecha). Apriete y junte el extremo en forma de gancho. Apriete el tornillo.



- A. Tornillo conductor a tierra externo
- B. Hilo neutro de puesta a tierra
- C. Tornillo central del bloque de terminal
- D. Hilo neutro (hilo blanco o central)
- E. Protector de cables de 3/4" (19 mm) que esté en la lista de UL

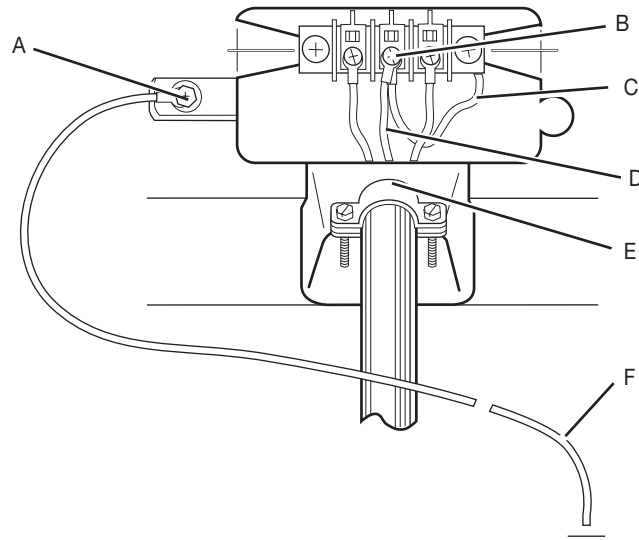
3. Coloque los extremos en forma de gancho de los hilos restantes del cable directo debajo de los tornillos exteriores del bloque de terminal (con los ganchos mirando hacia la derecha). Apriete los extremos en forma de gancho. Apriete los tornillos.
4. Apriete el tornillo del protector de cables.
5. Inserte la lengüeta de la tapa del bloque de terminal dentro de la ranura del panel posterior de la secadora. Asegure la tapa con un tornillo de sujeción.
6. Usted ha completado la conexión eléctrica.

# CONEXIONES ELÉCTRICAS DE LA SECADORA ELÉCTRICA

## Opcional, conexión de 3 hilos:

Úselo para el cable directo o el cable de suministro de energía donde los códigos locales no permiten conectar un conductor de conexión a tierra de la carcasa al hilo neutro.

1. Quite el tornillo central del bloque de terminal.
2. Saque el hilo neutro de puesta a tierra del tornillo conductor a tierra externo. Conecte el hilo neutro de puesta a tierra y el hilo neutro (hilo blanco o central) del cable de suministro de energía o cable directo debajo del tornillo central del bloque de terminal. Apriete el tornillo.
3. Coloque los hilos restantes debajo de los tornillos exteriores del bloque de terminal (con los ganchos mirando hacia la derecha). Apriete los tornillos.
4. Apriete los tornillos del protector de cables.
5. Conecte un hilo a tierra de cobre separado desde el tornillo conductor a tierra externo a una conexión a tierra adecuada.
6. Inserte la lengüeta de la tapa del bloque de terminal dentro de la ranura del panel posterior de la secadora. Asegure la tapa con un tornillo de sujeción.



- A. Tornillo conductor a tierra externo
- B. Tornillo central del bloque de terminal
- C. Hilo neutro de puesta a tierra
- D. Hilo neutro (hilo blanco o central)
- E. Protector de cables de 3/4" (19 mm) que esté en la lista de UL
- F. Trayectoria de conexión a tierra determinada por un electricista calificado

## NIVELACIÓN

### Nivelación de la lavadora/secadora apiladas

El nivelar adecuadamente su lavadora/secadora reduce el ruido y la vibración en exceso.

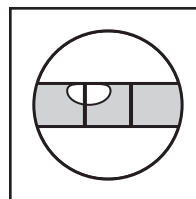
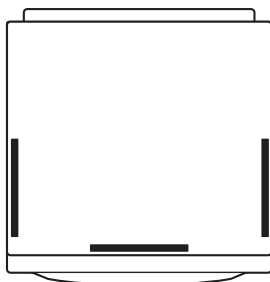
## ⚠ ADVERTENCIA

### Peligro de Peso Excesivo

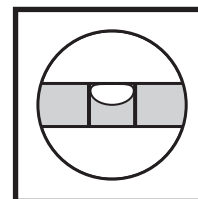
Use dos o más personas para mover e instalar la lavadora/secadora.

No seguir esta instrucción puede ocasionar una lesión en la espalda u otro tipo de lesiones.

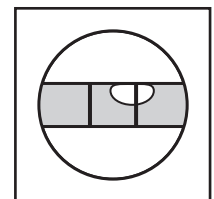
1. Retire el cartón que está debajo de la lavadora/secadora. Coloque un nivel en los bordes superiores de la lavadora/secadora, revisando cada lado y el frente. Si la lavadora/secadora no está nivelada, inclínela y ajuste las patas hacia arriba o hacia abajo, como se muestra en los Pasos 3 y 4, repitiendo si es necesario.



No está nivelada



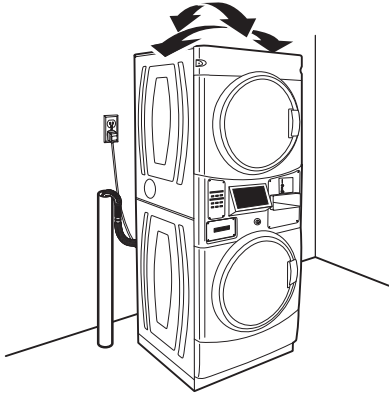
NIVELADA



No está nivelada

## Nivelación de la lavadora/secadora apiladas (continuación)

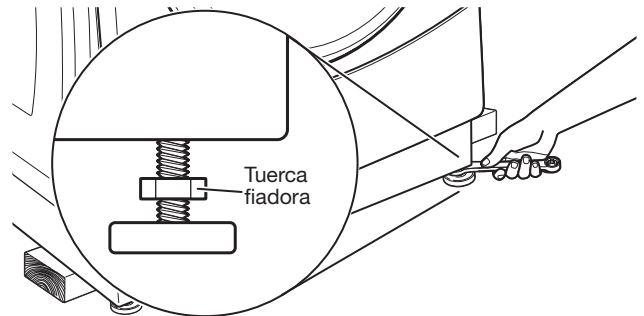
2. Sujete la lavadora/secadora de la parte superior y balancéela de atrás hacia delante, asegurándose de que las cuatro patas estén firmes en el piso. Repítalo, balanceando la lavadora/secadora de un lado al otro. Si se balancea la lavadora/secadora, vaya al Paso 3 y regule las patas niveladoras. Si las cuatro patas hacen contacto firme con el piso, vaya al Paso 4.



3. Si la lavadora/secadora no está nivelada, use una llave de boca o una llave ajustable de 9/16" ó 14 mm para girar las tuercas fiadoras hacia la derecha (vista desde por arriba) en las patas, hasta que estén a aproximadamente 1/2" (13 mm) de la carcasa de la lavadora/secadora. Luego gire la pata niveladora hacia la izquierda para bajar la

lavadora/secadora, o hacia la derecha para levantarla. Vuelva a verificar la nivelación de la lavadora/secadora y que las cuatro patas estén en contacto firme con el piso. Repita el procedimiento si es necesario.

**CONSEJO ÚTIL:** Puede apuntalar el frente de la lavadora/secadora aproximadamente 4" (102 mm) con un bloque de madera o un objeto similar que vaya a soportar el peso de la lavadora/secadora.



4. Una vez que la lavadora/secadora esté nivelada y que las cuatro patas hagan contacto firme con el piso, use una llave de boca de 9/16" ó 14 mm, o bien una llave ajustable, para girar las tuercas fiadoras en las patas niveladoras hacia la izquierda (vista desde por arriba), y apretarlas con firmeza contra la carcasa de la lavadora/secadora.

**CONSEJO ÚTIL:** Puede apuntalar la lavadora/secadora con un bloque de madera.

## Complete la instalación

1. Revise los requisitos eléctricos. Asegúrese de contar con la fuente de electricidad correcta y el método recomendado de conexión a tierra. Vea "Requisitos eléctricos."
2. Verifique que todas las piezas estén ahora instaladas. Si hay una pieza extra, repita los pasos.
3. Verifique que tenga todas las herramientas.
4. Deshágase de todos los materiales de embalaje o recíclelos.
5. Verifique que los grifos de agua estén abiertos.
6. Verifique si hay fugas alrededor de los grifos y de las mangueras de entrada.

8. Para probar y limpiar su lavadora, mida la mitad de la cantidad de detergente de alto rendimiento (HE) recomendada por el fabricante para una carga mediana. Vierta el detergente en el depósito del detergente. Seleccione cualquier ciclo y permita que la lavadora termine un ciclo completo.
9. Verifique el funcionamiento de la secadora. Seleccione un ciclo completo con calor y deje que la secadora funcione durante cinco minutos por lo menos. La secadora se detendrá cuando se haya terminado el tiempo.

**NOTA:** La puerta de la secadora debe cerrarse para que la misma funcione. Cuando se abre la puerta, la secadora se detiene pero el temporizador continúa funcionando. Para volver a poner en marcha la secadora, cierre la puerta y presione el botón del ciclo.

Si el quemador no se enciende y no siente calor dentro de la secadora, apáguela por 5 minutos. Revise que todos los controles de la válvula de suministro estén en la posición de "Encendido," y que el cable de suministro de energía esté enchufado. Repita la prueba de 5 minutos.

## ⚠ ADVERTENCIA



### Peligro de Choque Eléctrico

Conecte a un contacto de pared de conexión a tierra de 3 terminales.

No quite la terminal de conexión a tierra.

No use un adaptador.

No use un cable eléctrico de extensión.

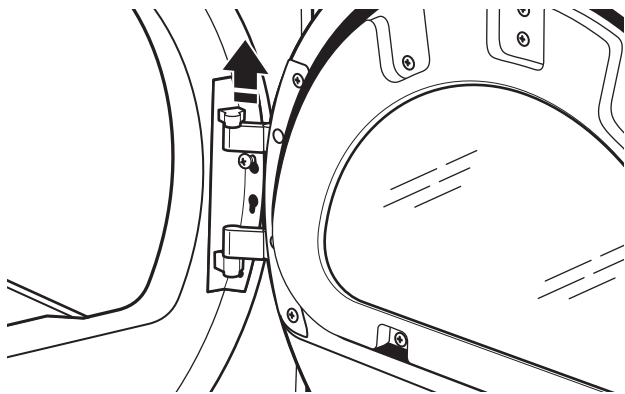
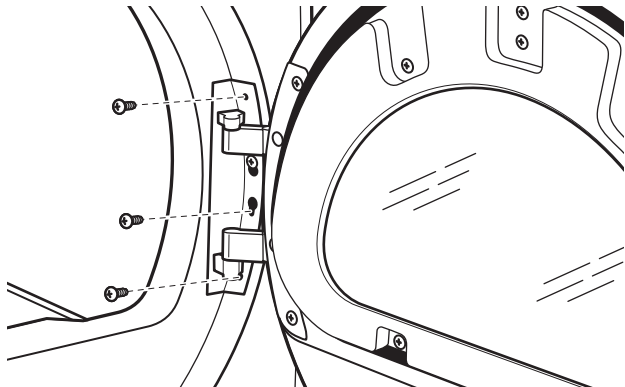
No seguir estas instrucciones puede ocasionar la muerte, incendio o choque eléctrico.

7. Enchufe en un contacto con conexión a tierra o conecte el suministro de energía.

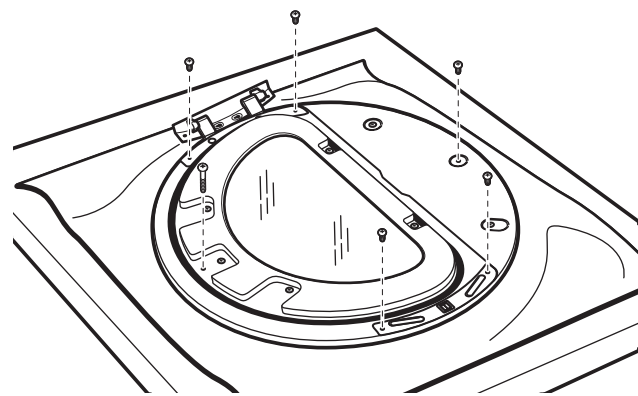
# CÓMO INVERTIR EL CIERRE DE LA PUERTA DE LA SECADORA (OPCIONAL)

## Cómo quitar el ensamblaje de la puerta

1. Coloque una toalla o un paño suave en la parte superior de la secadora o de la superficie de trabajo, para evitar rayar la superficie.
2. Quite tres de los cuatro tornillos que sostienen la bisagra de la puerta en el panel frontal de la secadora. Afloje parcialmente el tornillo restante con orificio de bocallave y levante la puerta del tornillo para separarla.

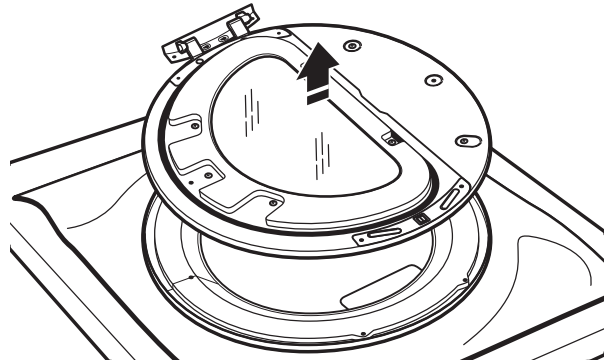


3. Coloque el ensamblaje de la puerta horizontalmente sobre una superficie plana que se haya preparado anteriormente, con el lado interior (el ensamblaje de la puerta interior) mirando hacia arriba, y quite los seis tornillos de cabeza Phillips para separar el ensamblaje de la puerta exterior del ensamblaje de la puerta interior.

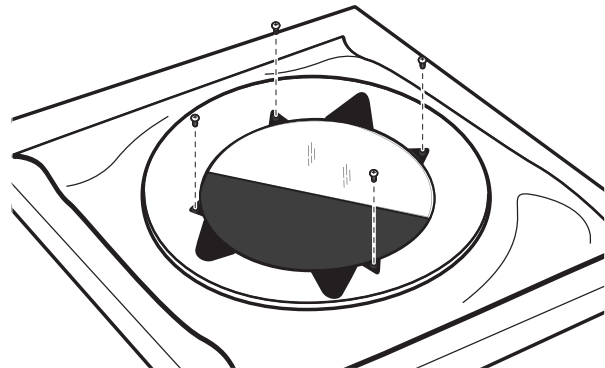


**NOTA:** Es importante que quite solamente los seis tornillos indicados.

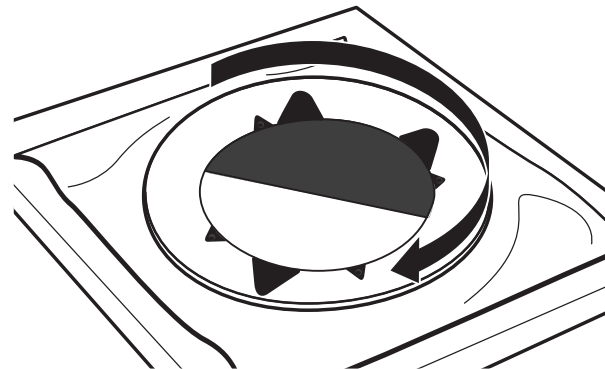
4. Levante el ensamblaje de la puerta interior y sepárelo del ensamblaje de la puerta exterior.



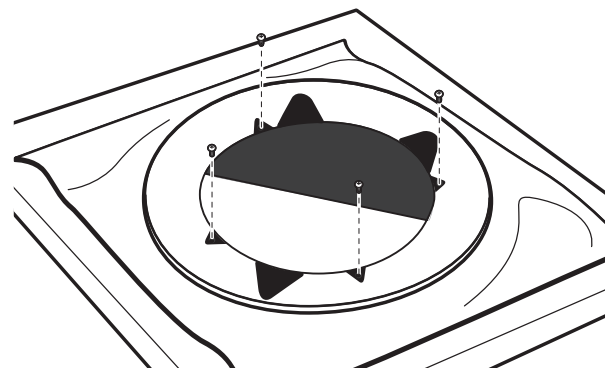
5. Quite cuatro tornillos Phillips para liberar el inserto central del anillo exterior de la puerta.



6. Levante y gire el inserto central 180°.



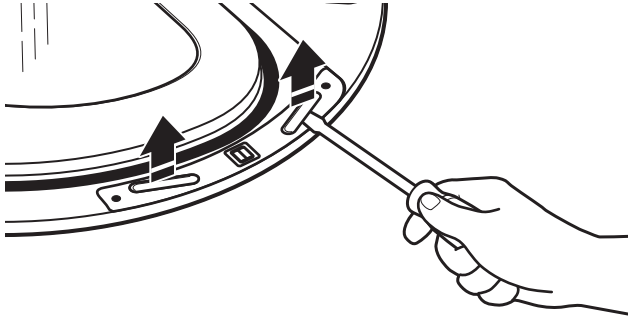
7. Vuelva a ensamblar el inserto central y el anillo exterior de la puerta con los cuatro tornillos.



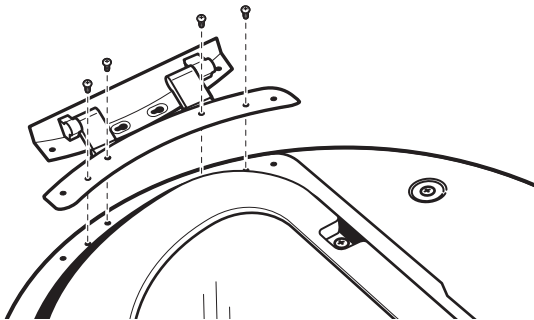
# CÓMO INVERTIR EL CIERRE DE LA PUERTA DE LA SECADORA (OPCIONAL)

## Invierta la bisagra

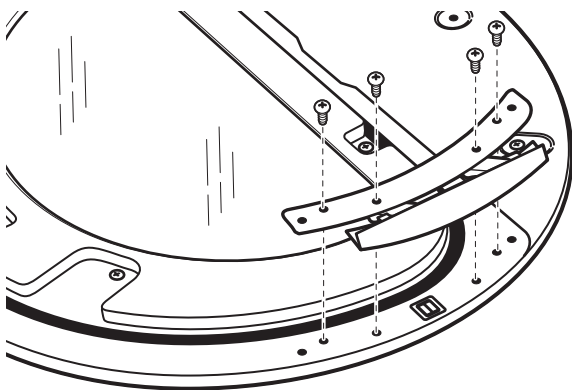
1. Use un destornillador de hoja plana pequeño para quitar los dos tapones de la puerta interior. Deslice la hoja del destornillador debajo de los tapones, sin rayar la superficie de la puerta interior, y levante el tapón.



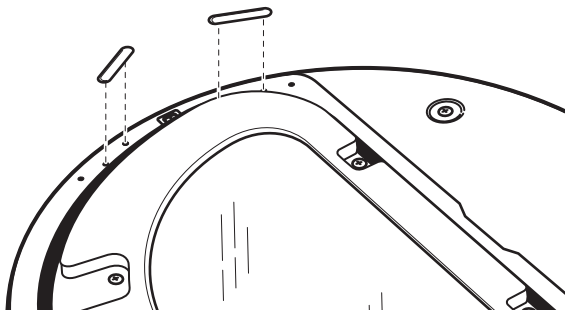
2. Quite los cuatro tornillos que sujetan a la bisagra de la puerta interior.



3. Mueva la bisagra al otro lado. Vuelva a instalar los cuatro tornillos.



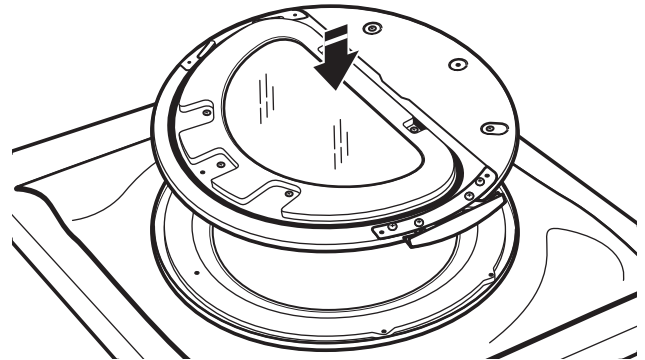
4. Reinstale los tapones en el lado opuesto de la puerta interior.



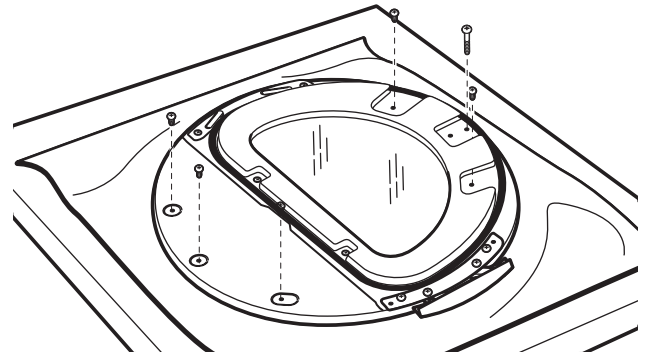
5. Fíjese si hay huellas digitales en el vidrio. Limpie si es necesario.

## Vuelva a colocar el ensamblaje de la puerta

1. Coloque el ensamblaje interior de la puerta dentro del ensamblaje exterior de la puerta.

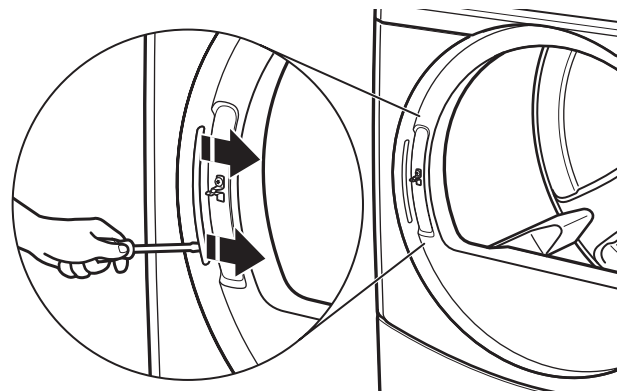


2. Vuelva a ensamblar los ensamblajes interior y exterior de la puerta con los seis tornillos.



## Cómo invertir el tope

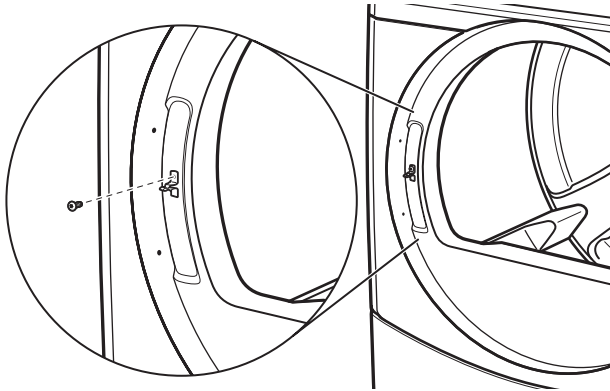
1. Use un destornillador de hoja plana pequeño para quitar el tapón de la abertura de la puerta de la secadora. Deslice la hoja del destornillador debajo de los tapones, sin rayar la superficie de la secadora, y levante el tapón.





# CÓMO INVERTIR EL CIERRE DE LA PUERTA DE LA SECADORA (OPCIONAL)

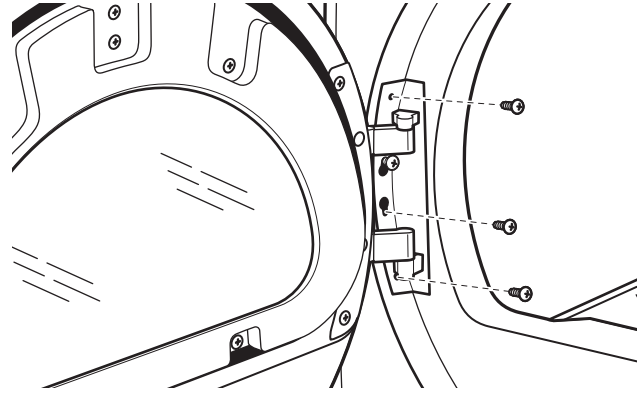
2. Quite el tope con un destornillador Phillips.



3. Inserte el tope en el lado opuesto.

## Vuelva a instalar la puerta

1. Inserte parcialmente el tercer tornillo desde la parte superior; luego deslice la bisagra sobre este tornillo mientras engancha la bisagra en el orificio frontal del panel. Vuelva a sujetar la puerta al panel frontal de la secadora con los tres tornillos restantes.



2. Fíjese si hay huellas digitales en el vidrio. Limpie si es necesario.

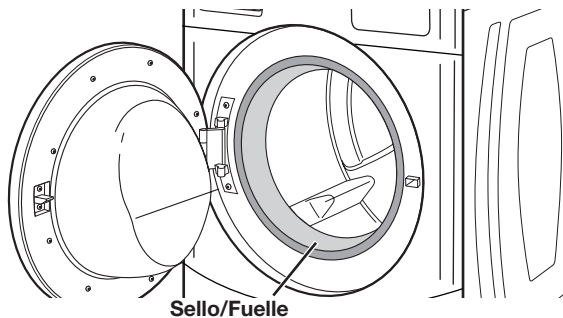
3. Cierre la puerta y compruebe que se cierra con seguridad.

# INSTRUCCIONES DE MANTENIMIENTO DE LA LAVADORA/SECADORA APILADAS

## Lavadora

### Limpieza del sello/fuelle de la puerta

1. Abra la puerta de la lavadora y quite cualquier prenda o artículo que estuviera dentro de la misma.
2. Inspeccione la puerta interior de vidrio. Si hay desechos en ésta, límpiela con un paño húmedo.
3. Inspeccione el sello/fuelle de color que se encuentra entre la abertura de la puerta y la canasta para detectar si hay áreas manchadas. Empuje el sello/fuelle hacia atrás para inspeccionar todas las áreas debajo del sello/fuelle y controle si hay objetos extraños.



4. Si encuentra áreas manchadas, limpie estas áreas del sello/fuelle:
  - a) Mezcle una solución diluida utilizando 3/4 taza (177 mL) de blanqueador líquido con cloro y 1 gal. (3,8 L) de agua tibia del grifo.
  - b) Limpie el área del sello/fuelle con la solución diluida y un paño húmedo.
  - c) Déjelas reposar durante 5 minutos.
  - d) Limpie el área meticulosamente con un paño seco y deje que el interior de la lavadora se seque al aire con la puerta abierta.

### IMPORTANTE:

- Use guantes de goma cuando limpie por períodos prolongados.
- Vea las instrucciones de uso adecuado provistas por el fabricante del blanqueador.

### Instrucciones de mantenimiento:

Esta lavadora tiene un ciclo especial que utiliza mayores volúmenes de agua junto con blanqueador líquido con cloro para limpiar meticulosamente el interior de su lavadora.

### NOTAS:

- Lea estas instrucciones completamente antes de comenzar el proceso de limpieza.
- Si fuera necesario, el ciclo de limpieza puede ser interrumpido presionando dos veces el botón inferior derecho (COLD [frío]). Sin embargo, el ciclo no se detendrá inmediatamente. La lavadora continuará con varios pasos de enjuague y desagüe para asegurar que se haya enjuagado todo el blanqueador de la lavadora.

### Para limpiar el interior de la lavadora:

1. Abra la puerta de la lavadora y quite cualquier prenda o artículo que estuviera dentro de la misma.
2. **Use blanqueador líquido con cloro:**  
Abra el cajón del depósito y agregue inmediatamente 2/3 de taza (160 mL) de blanqueador líquido con cloro en el compartimiento del blanqueador.  
**NOTA:** No agregue nada de detergente. Si usa más de 2/3 de taza (160 mL) de blanqueador, el producto se dañará con el tiempo.
3. Cierre la puerta de la lavadora y el cajón del depósito.
4. Para poner a funcionar el ciclo de Limpiar la lavadora (Washer Cleanout), primero ingrese al “Modo de servicio.” A continuación, presione y sostenga el botón inferior derecho (COLD [frío]) por 2 segundos. Cuando la pantalla completa esté destellando, presione el botón central derecho (COLORS/DELICATES [colores/ropa delicada]).  
Para salir del modo de servicio y activar el ciclo de Limpiar la lavadora, presione el botón central derecho (COLORS/DELICATES [colores/ropa delicada]) y luego gire la llave.  
**NOTA:** La puerta se bloqueará, la canasta dará 1/2 giro y luego la puerta de desbloqueará, se bloqueará nuevamente y el ciclo de Limpiar la lavadora (Washer Cleanout) continuará.
  - La lavadora no se llenará, pero la canasta rotará mientras la lavadora hace un ciclo corto de detección. Esto tardará aproximadamente 3 minutos.
5. El ciclo determinará si hay ropa u otros artículos en la lavadora.
  - a) Si no se detectan artículos en la lavadora, ésta procederá al Paso 7.
  - b) Si se detecta algún artículo en la lavadora, la pantalla mostrará “F-34.” La puerta se desbloqueará entonces.
    - Ingrese al modo de servicio y luego presione y sostenga el botón inferior derecho (COLD [frío]) para anular el código de falla. Después repita los Pasos 1, 3 y 4 para comenzar nuevamente el ciclo.
6. Una vez que haya comenzado el ciclo, deje que éste finalice.
7. Una vez que haya finalizado el ciclo, deje la puerta levemente abierta para que haya una mejor ventilación y secado del interior de la lavadora.

# INSTRUCCIONES DE MANTENIMIENTO DE LA LAVADORA/SECADORA APILADAS

## Lavadora

### Siempre haga lo siguiente para mantener la frescura de la lavadora:

- Use solamente un detergente de alto rendimiento (HE).
- Deje la puerta levemente abierta después de cada ciclo para permitir una mejor ventilación y secado del interior de la lavadora.
- Limpie la lavadora cada mes (vea la sección “Para limpiar el interior de la lavadora”), usando 2/3 taza (160 mL) de blanqueador líquido con cloro.
- Si el procedimiento no mejora suficientemente la frescura de la lavadora, sírvase evaluar su instalación y las condiciones de uso para detectar otras causas.

### Limpieza externa

Use un paño suave y húmedo o una esponja para limpiar cualquier derrame. De vez en cuando, limpie el exterior de su lavadora para que se vea como nueva. Use jabón suave y agua. No use productos abrasivos.

### Limpieza del cajón del depósito

El cajón del depósito es desmontable para facilitar la limpieza.

1. Inserte un destornillador de hoja plana en el dispositivo para desenganchar el seguro y desbloquee el cajón del depósito para quitarlo. Quite el cajón del depósito.
2. Quite los insertos (el sifón de los compartimientos del suavizante y del blanqueador).
3. Lave las piezas en el agua del grifo.

**NOTA:** No lave los componentes en la lavavajillas.

4. Vuelva a colocar los insertos y coloque nuevamente el depósito en el cajón.

### Mangueras de entrada de agua

Reemplace las mangueras de entrada después de 5 años de uso para reducir el riesgo de que fallen. Inspeccione periódicamente y cambie las mangueras si se hallan protuberancias, torceduras, cortes, desgaste o pérdidas de agua.

Cuando reemplace las mangueras de entrada del agua, anote la fecha de reposición.

## Secadora

### Instrucciones de mantenimiento:

- Limpie el filtro de pelusa antes y después de cada ciclo.
- Cómo quitar la pelusa acumulada:
  - En el interior de la carcasa de la secadora:  
Según el uso de la secadora, se debe quitar la pelusa cada 2 años, o con más frecuencia. La limpieza deberá efectuarla una persona calificada.
  - En el ducto de escape:  
Según el uso de la secadora, se debe quitar la pelusa cada 2 años o con más frecuencia.
- Mantenga el área alrededor de la secadora limpia y libre de materiales combustibles, gasolina y otros vapores y líquidos inflamables.
- Mantenga el área donde está la secadora despejada y libre de artículos que pudieran obstruir el flujo de aire para la combustión y la ventilación.

### Si la secadora no funciona, revise lo siguiente:

- Que el suministro eléctrico esté conectado.
- Que el cortacircuitos no se disparó o el fusible de la casa no está quemado.
- Que la puerta esté cerrada. Escuche detenidamente para oír cuando se active el interruptor de la puerta.
- Que se haya presionado con firmeza el botón de selección de ciclos.
- Para las secadoras a gas, revise que las válvulas de cierre del suministro de gas estén en la posición abierta.

## SI NECESITA AYUDA

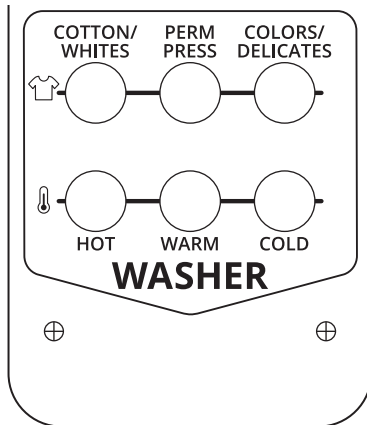
Póngase en contacto con su distribuidor autorizado de lavandería comercial de Whirlpool.<sup>®</sup> Para ubicar a su distribuidor autorizado de aparatos de lavandería comercial de Whirlpool,<sup>®</sup> o para solicitar información por internet, visite [www.WhirlpoolCommercialLaundry.com](http://www.WhirlpoolCommercialLaundry.com).

Si no puede localizar al distribuidor, el Centro de apoyo para lavandería comercial contestará cualquier pregunta que usted tenga acerca del funcionamiento y mantenimiento de la lavadora/secadora que no esté cubierta en las Instrucciones de instalación.

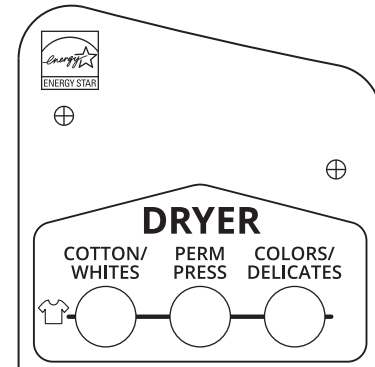
Simplemente llame al **1-800 NO BELTS (1-800-662-3587)** — la llamada es gratuita.

Cuando llame, usted necesitará tener a mano los números del modelo y de serie de la lavadora/secadora. Ambos números se encuentran en la placa de clasificación de serie que está ubicada en la cavidad de la puerta de la secadora.

# INSTRUCCIONES DE PROGRAMACIÓN DEL CONTROL ELECTRÓNICO



Control de la lavadora



Control de la secadora

**NOTA:** Después de haber instalado y enchufado la lavadora/secadora, se mostrará “0 MINUTES” (0 minutos) en las partes de la pantalla para la lavadora y la secadora. Después de que se hayan abierto y cerrado las puertas de la lavadora y de la secadora, la pantalla mostrará el precio tanto para la lavadora como para la secadora. En las lavadoras/secadoras que se hayan programado para dar ciclos gratuitos, destellará “SELECT CYCLE” (seleccionar ciclo) en las secciones de la pantalla.

**1. Con depósito de monedas adjunto:** Inserte monedas hasta que destelle “SELECT CYCLE” (seleccionar ciclo) en la parte de la pantalla de la lavadora o secadora que se va a poner a funcionar.

Pueden usarse como alternativa, pueden usarse los sistemas de tarjeta de pago automático de generación 1 y 2. Sin embargo, cuando el sistema de tarjeta de pago automático de generación 2 es utilizado, los controles se fijarán automáticamente en el modo Débito mejorado (J. Ed.). En el modo de Débito mejorado, el saldo de la tarjeta se mostrará en la pantalla cuando ésta se inserte en el lector.

- La puerta de la lavadora/secadora que se va a usar debe cerrarse antes de hacer la selección de ciclo.
- Presione el botón del ajuste de tela para el ciclo deseado de la lavadora/secadora. Para los ciclos de la lavadora, usted debe seleccionar también la temperatura de lavado deseada. Después de que ha comenzado el ciclo, el tiempo aparecerá en la pantalla e iniciará la cuenta regresiva.
- Si se interrumpe un ciclo al abrir la puerta o debido a un corte de corriente, destellará en la pantalla “RESELECT CYCLE” (Vuelva a seleccionar el ciclo). Para reiniciar la lavadora/secadora, cierre la puerta y vuelva a seleccionar el ciclo deseado.

**NOTA:** Cuando la secadora se haya programado para otorgar ciclos gratuitos, un ciclo continuo de la secadora se anulará si se abre la puerta.

## Información general sobre la lavadora/secadora para el usuario

**SE MUESTRA “OUT OF ORDER” (FUERA DE SERVICIO) SEGUIDO POR UN CÓDIGO DE DIAGNÓSTICO EN LA PANTALLA:** Esta condición indica que la lavadora o la secadora no puede funcionar. Los códigos de diagnóstico que se muestran en la parte superior de la pantalla pertenecen a la sección de la secadora y los códigos de diagnóstico que se muestran en la parte inferior de la pantalla corresponden a la sección de la lavadora. Los códigos de diagnóstico que se muestran en ambas secciones de la pantalla corresponden al sistema de control de la lavadora y de la secadora.

## SE MUESTRA “0 MINUTES” (0 MINUTOS) EN LA PANTALLA:

Esto indica que se ha completado el ciclo y que la lavadora/secadora no se puede operar. Las monedas que se hayan puesto o los ingresos de tarjeta de pago automático permanecerán en el depósito, pero no se pueden utilizar hasta que se abra y se cierre la puerta, lo cual reanuda el funcionamiento normal. Si un interruptor de puerta ha fallado y por esto permanece “0 MINUTES” (0 MINUTOS) en la pantalla después de que se haya abierto y cerrado la puerta, el interruptor debe reemplazarse antes de que se pueda continuar con el funcionamiento normal.

## INICIO EN FRÍO (La primera vez que se use) –

La lavadora/secadora se ha programado de fábrica de la manera siguiente:

<b>Lavadora</b>	Período de lavado de 11 minutos Precio de lavado de \$2,00 3 enjuagues (no está activado el enjuague adicional)
<b>Secadora</b>	5 minutos por cada moneda de 25 centavos Precio de secado de \$1,50 (ciclo fijo con tiempo adicional)

# INSTRUCCIONES DE PROGRAMACIÓN DEL CONTROL ELECTRÓNICO

**INICIO TIBIO (después de un corte de corriente)** – Unos segundos después de que se reestablezca la electricidad, si un ciclo se encontraba funcionando cuando ocurrió el corte de corriente, destellará “RESELECT CYCLE” (vuelva a seleccionar el ciclo), lo cual indica que se necesita presionar un botón para que la lavadora o la secadora vuelva a funcionar.

**BLOQUEO DE LA PUERTA DE LA LAVADORA** – Antes de que comience un ciclo, se realiza una rutina de bloqueo/desbloqueo/bloqueo del seguro de la puerta y después se pone en marcha el ciclo. La puerta permanecerá con seguro hasta el fin de un ciclo o aproximadamente por 2 minutos después de un corte de corriente.

**PRECIOS** – Después de que se ha abierto y cerrado la puerta siguiendo la finalización de un ciclo, la pantalla indica el precio del ciclo (a menos que se haya programado para un funcionamiento gratuito, en cuyo caso se mostrará “SELECT CYCLE” [Seleccionar ciclo]). A medida que se ponen las monedas o se reciben los pagos con tarjeta de pago automático, la pantalla cambiará para guiar al usuario en el inicio de un ciclo.

## Hay cuatro (4) tipos de precios para la secadora:

### Precio fijo de “venta”

Una secadora que está programada para el funcionamiento de un “Ciclo fijo” solamente puede aceptar tiempo adicional que se haya acumulado en incrementos que sean igual a la duración de un ciclo de secado completo. Se puede comprar un máximo de 99 minutos y no se da crédito adicional por monedas adicionales una vez que aparece 99 minutos en la pantalla.

### Precio del acumulador

Si el precio se ha fijado a una moneda 1, el precio del acumulador entra en efecto. El tiempo del ciclo se puede comprar con una moneda a la vez, hasta un tiempo máximo de 99 minutos.

### Ciclo fijo con precio por tiempo adicional

Una secadora que esté programada con la habilidad de “Tiempo adicional,” permitirá que se agregue tiempo a un ciclo de secado existente, en incrementos que sean igual al número de minutos de secado por una moneda de 25 centavos (moneda 1), hasta 99 minutos, sin importar el costo requerido para poner la secadora en marcha. No se da crédito por monedas o tarjeta de pago automático cuando el control muestre 99 minutos en la pantalla.

En el modo mejorado de tarjeta de pago automático, el precio por tiempo adicional se puede fijar de manera independiente (consulte VALOR DE MONEDA 2), y el tiempo adicional se calcula según la siguiente ecuación:

$$\text{Tiempo de compra de tiempo adicional} = \frac{\text{precio de compra de tiempo adicional}}{\text{precio completo por ciclo}} \times \text{duración de ciclo completo}$$

Los incrementos con centavos no están permitidos en las compras de tiempo adicional.

**CICLOS GRATUITOS** – Esta opción se fija programando el precio en cero. Cuando esto ocurre, aparecerá “SELECT CYCLE” (seleccionar ciclo) en lugar del precio del ciclo. Cualquier ciclo que haya comenzado como un ciclo gratuito se terminará automáticamente cuando se abra la puerta.

## LISTA PARA TARJETA DE PAGO AUTOMÁTICO –

La lavadora/secadora está lista para las tarjetas de pago automático. Aceptará una variedad de sistemas de tarjeta de pago automático, pero NO se entrega con un lector de tarjeta de pago automático. Consulte al fabricante de lectores de tarjeta de pago automático para obtener información sobre la preparación adecuada de la lavadora/secadora. Para los modelos que han sido convertidos para el sistema de tarjeta de pago automático de generación 1, cada señal de la tarjeta es equivalente a una moneda (moneda 1).

## Procedimientos de programación del control

**IMPORTANTE:** Lea todas las instrucciones antes de usarla.

Inserte la llave del interruptor de servicio y gírela hacia la izquierda.

Una vez que se haya instalado el lector de tarjeta de pago automático de generación 2 (según las instrucciones del fabricante del lector), se pueden cambiar los modos de programación solamente insertando la tarjeta de programación (provista por el fabricante del lector) en la ranura para tarjeta. Si inserta y gira la llave del interruptor de servicio, solamente obtendrá acceso al modo de servicio.

La lavadora/secadora se encuentra ahora en el modo de programación. Los botones inferiores de selección de temperatura y la sección inferior de la pantalla se usan para programar el control digital de la lavadora. Los tres botones superiores de selección de telas y la sección superior de la pantalla se usan para programar los controles de la secadora.

La pantalla puede incluir cuatro números y/o letras y un punto decimal en ambas secciones de la misma. Éstos se usan para indicar los códigos de la programación y los valores de los códigos relacionados, disponibles para el uso de la programación de la lavadora/secadora.



# INSTRUCCIONES DE PROGRAMACIÓN DEL CONTROL ELECTRÓNICO

## Comience la programación de funcionamiento

Las lavadoras/secadoras son programadas previamente en la fábrica y no requieren programación adicional. Sin embargo, si desea cambiar los ajustes, siga la guía “Códigos de programación” (Set-Up Codes).

El primer código que se muestra en cada segmento es el ajuste de fábrica por defecto.

El código de programación se indica con uno o los dos caracteres al lado izquierdo. El valor del código de programación se indica con los dos o tres caracteres al lado derecho.

## Códigos de programación

Código	Explicación
<b>6 06</b>	<b>PRECIO DEL CICLO COMÚN (SECADORA)</b>
<b>6 06</b>	Representa el número de monedas de 25 centavos (moneda 1) necesarias para hacer comenzar la secadora; se puede ajustar de 0 a 200 (Vea VALOR DE MONEDA 1). Avance de 0 a 200 presionando el botón superior izquierdo (COTTON/WHITES [algodón/ropa blanca]). Ajuste de fábrica de 6 monedas de 25 centavos: \$1,50. • Presione el botón inferior medio (WARM [tibia]) una vez para avanzar al siguiente código.
<b>6 08</b>	<b>PRECIO DEL CICLO COMÚN (LAVADORA)</b>
<b>6 08</b>	Representa el número de monedas de 25 centavos (moneda 1) necesarias para hacer comenzar la lavadora; se puede ajustar de 0 a 200 (Vea VALOR DE MONEDA 1). Aumente presionando el botón medio izquierdo (COTTON/WHITES [algodón/ropa blanca]) y disminuya presionando el botón inferior izquierdo (HOT [caliente]). Ajuste de fábrica de 8 monedas de 25 centavos: \$2,00. • Presione el botón inferior medio (WARM [tibia]) una vez para avanzar al siguiente código.
<b>7 05</b>	<b>TIEMPO DE SECADO COMÚN (SECADORA)</b>
<b>7 05</b>	Representa el número de minutos por cada moneda de 25 centavos (moneda 1). Ajuste de fábrica de 5 minutos por cada moneda. Ejemplo: 6 monedas de 25 centavos x 5 minutos = 30 minutos. Al presionar el botón superior izquierdo (COTTON/WHITES [algodón/ropa blanca]), el valor se ajusta de 1 a 99 minutos. • Presione el botón inferior medio (WARM [tibia]) una vez para avanzar al siguiente código.
<b>7 11</b>	<b>DURACIÓN DEL LAVADO (LAVADORA)</b>
<b>7 11</b>	Este es el número de minutos para el lavado. La lavadora sale de fábrica previamente ajustada con 11 minutos; se puede seleccionar de 9 a 17 minutos. Aumente presionando el botón medio izquierdo (COTTON/WHITES [algodón/ropa blanca]) y disminuya presionando el botón inferior izquierdo (HOT [caliente]). • Presione el botón inferior medio (WARM [tibia]) una vez para avanzar al siguiente código.

Código	Explicación
<b>8 00</b>	<b>TIPO DE PRECIOS DE SECADO (SECADORA)</b>
<b>8 00</b>	Ciclo fijo con tiempo adicional. Para ver una descripción detallada, vea “Información general sobre la lavadora/secadora para el usuario.”
<b>8 FC</b>	<b>Con sistema de pago con tarjeta:</b> Ciclo fijo. Para ver una descripción detallada, vea “Información general sobre la lavadora/secadora para el usuario.” Use el botón superior derecho (COLORS/DELICATES [colores/ropa delicada]) para cambiar esta selección. • Presione el botón inferior medio (WARM [tibia]) una vez para avanzar al siguiente código.
<b>8 00</b>	<b>OPCIÓN DE ENJUAGUE ADICIONAL (LAVADORA)</b> Esta opción NO SE SELECCIONA “00” o se SELECCIONA “Ar.”
<b>8 00</b>	No seleccionada “00.”
<b>8 Ar</b>	Seleccionada “Ar.” Presione el botón inferior derecho (COLD [frío]) una vez para cambiar esta selección. • Presione el botón inferior medio (WARM [tibia]) una vez para avanzar al siguiente código.
<b>9 00</b>	<b>OPCIÓN DE CONTADOR DE CICLOS</b> Esta opción NO SE SELECCIONA “00” o se SELECCIONA “0C.”
<b>9 00</b>	No seleccionada “00.”
<b>9 0C</b>	Seleccionada “0C” y no se puede anular. Presione el botón inferior derecho (COLD [frío]) tres veces consecutivas para seleccionar “0C.” Una vez que se seleccione “0C,” no se puede anular la opción. • Presione el botón inferior medio (WARM [tibia]) una vez para avanzar al siguiente código.

**Si se selecciona el contador de ciclos (9 0C), lo siguiente es verdad:**

1 00	Ciclos en CIENTOS	1 <u>02</u> = 200
2 00	Ciclos en UNIDADES	2 <u>25</u> = 25

NÚMERO TOTAL DE CICLOS = 225

Esto es “SÓLO PARA VERSE” y no se puede borrar.

• Presione el botón inferior medio (WARM [tibia]) una vez para avanzar al siguiente código.



# INSTRUCCIONES DE PROGRAMACIÓN DEL CONTROL ELECTRÓNICO

Código	Explicación
<b>1. 00</b>	<b>OPCIÓN DE CONTADOR DE DINERO</b> Esta opción NO SE SELECCIONA "00" o se SELECCIONA "0C."
<b>1. 00</b>	No seleccionada "00."
<b>1. 0C</b>	Seleccionada "0C." Presione el botón inferior derecho (COLD [frío]) tres veces consecutivas para seleccionar "0C" y tres veces consecutivas para deseccionarla (No seleccionada "00"). El contador pone la cuenta en cero cuando se cambia de "OFF" (apagado) a "ON" (encendido).
<b>1. 0C</b>	Seleccionada "0C" y no se puede anular. Para seleccionar "0C" y que no se pueda anular, seleccione primero "0C" y luego, en menos de 2 segundos, presione dos veces el botón inferior derecho (COLD [frío]), el botón inferior izquierdo (HOT [caliente]) una vez y luego salga del modo de programación. • Presione el botón inferior medio (WARM [tibial]) una vez para avanzar al siguiente código.

**Si se selecciona el contador de dinero (1.0C ó 1.C0), lo siguiente es verdad:**

3 00	Dólares en CIENTOS	3 <u>01</u> = \$100,00
4 00	Dólares en UNIDADES	4 <u>68</u> = \$ 68,00
5 00	Número de CENTAVOS	5 <u>75</u> = \$ 00,75
		TOTAL = \$168,75

<b>2. 00</b>	<b>OPCIÓN DE PRECIOS ESPECIALES</b> Esta opción NO SE SELECCIONA "00" o se SELECCIONA "SP"
<b>2. 00</b>	No seleccionada "00" y el próximo código disponible será A.00.
<b>2. SP</b>	Seleccionada "SP" Presione el botón inferior derecho (COLD [frío]) una vez para cambiar esta selección.

**Si se selecciona la OPCIÓN DE PRECIOS ESPECIALES, tendrá acceso a los códigos "3.XX" a "9.XX."**

- Presione el botón inferior medio (WARM [tibial]) una vez para avanzar al siguiente código.

## OPCIONES 3.XX A 9.XX A USAR SI SE SELECCIONA UN PRECIO ESPECIAL:

Código	Explicación
<b>3.06</b>	<b>PRECIO ESPECIAL DEL CICLO (SECADORA)</b>
<b>3.06</b>	Representa el número de monedas de 25 centavos (moneda 1) para hacer comenzar la secadora; se puede ajustar de 0 a 200 (Vea VALOR DE MONEDA 1). Avance de 0 a 200 presionando el botón superior izquierdo (COTTON/WHITES [algodón/ropa blanca]). Ajuste de fábrica de 6 monedas de 25 centavos = \$1,50. • Presione el botón inferior medio (WARM [tibial]) una vez para avanzar al siguiente código.
<b>3.08</b>	<b>PRECIO ESPECIAL DEL CICLO (LAVADORA)</b>
<b>3.08</b>	Representa el número de monedas de 25 centavos (moneda 1) para hacer comenzar la lavadora; se puede ajustar de 0 a 200 (Vea VALOR DE MONEDA 1). Aumente presionando el botón medio izquierdo (COTTON/WHITES [algodón/ropa blanca]), disminuya presionando el botón inferior izquierdo (HOT [caliente]). Ajuste de fábrica de 8 monedas de 25 centavos = \$2,00. • Presione el botón inferior medio (WARM [tibial]) una vez para avanzar al siguiente código.
<b>4.05</b>	<b>TIEMPO DE SECADO ESPECIAL (SECADORA)</b>
<b>4.05</b>	Representa el número de minutos por cada moneda de 25 centavos (moneda 1). Ajuste de fábrica de 5 minutos por cada moneda. Ejemplo: 6 monedas de 25 centavos x 5 minutos = 30 minutos. Al presionar el botón superior izquierdo (COTTON/WHITES [algodón/ropa blanca]), el valor se puede ajustar de 1 a 99 minutos. • Presione el botón inferior medio (WARM [tibial]) una vez para avanzar al siguiente código.
<b>5.00</b>	<b>RELOJ DE LA HORA DEL DÍA, MINUTOS</b>
<b>5.00</b>	Este es el Reloj de la hora del día, para ajustar los minutos; seleccione de 0 a 59 minutos presionando el botón inferior izquierdo (HOT [caliente]). • Presione el botón inferior medio (WARM [tibial]) una vez para avanzar al siguiente código.
<b>6.00</b>	<b>RELOJ DE LA HORA DEL DÍA, HORAS</b> <b>NOTA:</b> Usa el reloj de formato militar o 24 horas.
<b>6.00</b>	Este es el Reloj de la hora del día, para ajustar las horas; seleccione de 0 a 23 horas presionando el botón inferior izquierdo (HOT [caliente]). • Presione el botón inferior medio (WARM [tibial]) una vez para avanzar al siguiente código.

# INSTRUCCIONES DE PROGRAMACIÓN DEL CONTROL ELECTRÓNICO

Código	Explicación																								
<b>7. 00</b>	<b>HORA EN QUE EMPIEZA EL PRECIO ESPECIAL</b> <b>NOTA:</b> Usa el reloj de formato militar o 24 horas.																								
<b>7. 00</b>	Esta es la hora de inicio; de 0 a 23 horas. Seleccione Hora de comienzo presionando el botón inferior izquierdo (HOT [caliente]). • Presione el botón inferior medio (WARM [tibia]) una vez para avanzar al siguiente código.																								
<b>8. 00</b>	<b>HORA EN QUE TERMINA EL PRECIO ESPECIAL</b> <b>NOTA:</b> Usa el reloj de formato militar o 24 horas.																								
<b>8. 00</b>	Esta es la hora en que termina; de 0 a 23 horas. Seleccione Hora de parada presionando el botón inferior izquierdo (HOT [caliente]). • Presione el botón inferior medio (WARM [tibia]) una vez para avanzar al siguiente código.																								
<b>9. 10</b>	<b>DÍA DE PRECIO ESPECIAL</b>																								
<b>9. 10</b>	Esto representa el día de la semana y si se ha seleccionado un precio especial para ese día. Un número seguido por un "0" indica que no se ha hecho una selección para ese día en particular (9.10). Un número seguido por la letra "S" indica que se ha hecho una selección para ese día (9.1S). Para cambiar el valor de "0" y "S," use el botón inferior derecho (COLD [frío]). Los días de la semana (de 1 a 7) se seleccionan presionando el botón inferior izquierdo (HOT [caliente]). Cuando salga de la programación del código "9," la pantalla debe mostrar el día de la semana actual:																								
	<table border="1"> <thead> <tr> <th>PANTALLA</th> <th>DÍA DE LA SEMANA</th> <th>CÓDIGO (seleccionado)</th> </tr> </thead> <tbody> <tr> <td>10</td> <td>Día 1=Domingo</td> <td>1S</td> </tr> <tr> <td>20</td> <td>Día 2=Lunes</td> <td>2S</td> </tr> <tr> <td>30</td> <td>Día 3=Martes</td> <td>3S</td> </tr> <tr> <td>40</td> <td>Día 4=Miércoles</td> <td>4S</td> </tr> <tr> <td>50</td> <td>Día 5=Jueves</td> <td>5S</td> </tr> <tr> <td>60</td> <td>Día 6=Viernes</td> <td>6S</td> </tr> <tr> <td>70</td> <td>Día 7=Sábado</td> <td>7S</td> </tr> </tbody> </table>	PANTALLA	DÍA DE LA SEMANA	CÓDIGO (seleccionado)	10	Día 1=Domingo	1S	20	Día 2=Lunes	2S	30	Día 3=Martes	3S	40	Día 4=Miércoles	4S	50	Día 5=Jueves	5S	60	Día 6=Viernes	6S	70	Día 7=Sábado	7S
PANTALLA	DÍA DE LA SEMANA	CÓDIGO (seleccionado)																							
10	Día 1=Domingo	1S																							
20	Día 2=Lunes	2S																							
30	Día 3=Martes	3S																							
40	Día 4=Miércoles	4S																							
50	Día 5=Jueves	5S																							
60	Día 6=Viernes	6S																							
70	Día 7=Sábado	7S																							
	• Presione el botón inferior medio (WARM [tibia]) una vez para avanzar al siguiente código.																								
<b>A. 00</b>	<b>OPCIÓN PARA VER EL DEPÓSITO</b> Esta opción NO SE SELECCIONA "00" o se SELECCIONA "SC."																								
<b>A. 00</b>	No seleccionada "00."																								
<b>A. SC</b>	Seleccionada "SC." Presione el botón inferior derecho (COLD [frío]) una vez para esta selección. Cuando se seleccione, se podrán ver las cuentas de dinero y/o ciclos (si se selecciona[n] la[s] opción[es] de contador), cuando se retire la caja de monedas. • Presione el botón inferior medio (WARM [tibia]) una vez para avanzar al siguiente código.																								

Código	Explicación
<b>b. 05</b>	<b>VALOR DE LA MONEDA 1</b>
<b>b. 05</b>	Esto representa el valor de la moneda 1 en el número de monedas de 5 centavos: 05 = \$0,25. Aumente entre 1 y 200 monedas de 5 centavos presionando el botón medio izquierdo (COTTON/WHITES [algodón/ropa blanca]), disminuya presionando el botón inferior izquierdo (HOT [caliente]). • Presione el botón inferior medio (WARM [tibia]) una vez para avanzar al siguiente código.
<b>C. 20</b>	<b>VALOR DE MONEDA 2/VALOR POR CICLO ADICIONAL DE LA SECADORA</b>
<b>C. 20</b>	Esto representa el valor de la moneda 2 en el número de monedas de 5 centavos: 20 = \$1,00. Aumente entre 1 y 200 monedas de 5 centavos presionando el botón medio izquierdo (COTTON/WHITES [algodón/ropa blanca]), disminuya presionando el botón inferior izquierdo (HOT [caliente]). • Presione el botón inferior medio (WARM [tibia]) una vez para avanzar al siguiente código.
<b>E. 00</b>	<b>OPCIÓN DE AGREGAR MONEDAS</b> Esta opción NO SE SELECCIONA "00" o se SELECCIONA "AC." Esta opción hace que la pantalla del cliente muestre el número de monedas (moneda 1) que se deben poner, en lugar de la cantidad en dólares y centavos.
<b>E. 00</b>	No seleccionada "00."
<b>E. AC</b>	Seleccionada "AC." Presione el botón inferior derecho (COLD [frío]) tres veces consecutivas para cambiar esta selección. • Presione el botón inferior medio (WARM [tibia]) una vez para avanzar al siguiente código.
<b>F. 00</b>	<b>OPCIÓN DE PRECIO MEJORADO</b>
<b>F. 00</b>	No seleccionada "OFF" (Apagado).
<b>F. CP</b>	Precio según el ciclo activado. Esta opción permite la configuración de distintos precios para los ciclos de lavado con agua fría, tibia y caliente.
<b>F. SU</b>	Precio de ciclo súper activado. Esta opción permite que los clientes mejoren los ciclos depositando más dinero. Aparecerán en la pantalla los códigos para fijar "H." y "h." solamente cuando esté activada esta opción. Presione el botón inferior derecho (COLD [frío]) para hacer esta selección. • Presione el botón inferior medio (WARM [tibia]) una vez para avanzar al siguiente código.
<b>H. 01</b>	<b>PRECIO PARA MEJORAR AL CICLO SÚPER</b> (Se saltea a menos que se active el precio de ciclo súper.)
<b>H. 01</b>	Esto representa el número de monedas 1 que se necesitan para cambiar de un ciclo básico a uno súper. Avance de 0 a 33 presionando el botón inferior izquierdo (HOT [caliente]). • Presione el botón inferior medio (WARM [tibia]) una vez para avanzar al siguiente código.
<b>h. 01</b>	<b>TIPO DE CICLO SÚPER</b> (Se saltea a menos que se active el precio de ciclo súper.)
<b>h. 01</b>	Esto representa la opción para mejorar el Ciclo súper. Presione el botón inferior izquierdo (HOT [caliente]) para ir a las opciones de mejora 1 a 3, como sigue: 01 – lavado mejorado, 3 minutos adicionales de rotación de lavado más el tiempo de lavado programado. 02 – enjuague adicional para todos los ciclos. 03 – tanto 01 como 02. • Presione el botón inferior medio (WARM [tibia]) una vez para avanzar al siguiente código.

# INSTRUCCIONES DE PROGRAMACIÓN DEL CONTROL ELECTRÓNICO

Código	Explicación
<b>J. Cd</b>	<b>MODO DE PAGO (OPCIÓN DE MONEDA/TARJETA DE PAGO AUTOMÁTICO)</b>
<b>J. Cd</b>	Se han seleccionado tanto moneda como el pago con tarjeta de pago automático. Presione el botón inferior derecho (COLD [frío]) tres veces consecutivas para cambiar esta selección.
<b>J. C_</b>	Pago con monedas activado, pago con tarjeta de pago automático desactivado. Presione el botón inferior derecho (COLD [frío]) tres veces consecutivas para cambiar esta selección.
<b>J. _d</b>	<b>Con sistema de pago con tarjeta:</b> Tarjeta de pago automático seleccionada, pago con monedas desactivado. Presione el botón inferior derecho (COLD [frío]) tres veces consecutivas para cambiar esta selección.
<b>J. Ed</b>	El modo mejorado de tarjeta de pago automático se elige automáticamente cuando un lector de tarjeta de generación 2 se instala en la lavadora/secadora. La opción "Ed" no se puede seleccionar ni anular manualmente. <ul style="list-style-type: none"> <li>• Presione el botón inferior medio (WARM [tibia]) una vez para avanzar al siguiente código.</li> </ul>
<b>L. 00</b>	<b>OPCIÓN DE SUSPENSIÓN DE PRECIOS</b> Esta opción hace que la pantalla del cliente muestre "ADD" (agregar) o "AVAILABLE" (disponible) en lugar de la cantidad de dinero que hay que agregar (se usa principalmente en las instalaciones para tarjeta de pago automático).
<b>L. 00</b>	No seleccionada "00."
<b>L. PS</b>	Seleccionada "PS." Presione el botón inferior derecho (COLD [frío]) una vez para cambiar esta selección. <ul style="list-style-type: none"> <li>• Presione el botón inferior medio (WARM [tibia]) una vez para avanzar al siguiente código.</li> </ul>
<b>n. CE</b>	<b>OPCIÓN PARA BORRAR LA CANTIDAD EN EL DEPÓSITO</b> Cuando se selecciona, si hay dinero en el depósito durante 30 minutos sin haberse seleccionado un ciclo y sin añadir más dinero, se borrará la información relativa al ciclo o al dinero que se haya introducido en el depósito.
<b>n. 00</b>	No seleccionada "00."
<b>n. CE</b>	Seleccionada "CE." Presione el botón inferior derecho (COLD [frío]) una vez para cambiar esta selección. <ul style="list-style-type: none"> <li>• Presione el botón inferior medio (WARM [tibia]) una vez para avanzar al siguiente código.</li> </ul>
<b>U. 00</b>	<b>COMPENSACIÓN DE INCREMENTO EN CENTAVOS (SECADORA)</b>
<b>U. 00</b>	Esto representa la compensación del precio en incremento en centavos que se usa en los modelos de la Generación 2 (pago con tarjeta de pago automático mejorado). Seleccione de 0 a 4 centavos presionando el botón superior izquierdo (COTTON/WHITES [algodón/ropa blanca]). <ul style="list-style-type: none"> <li>• Presione el botón inferior medio (WARM [tibia]) una vez para avanzar al siguiente código.</li> </ul>

Código	Explicación
<b>U. 00</b>	<b>COMPENSACIÓN DE INCREMENTO EN CENTAVOS (LAVADORA)</b>
<b>U. 00</b>	Esto representa la compensación del precio en incremento en centavos que se usa en los modelos de la Generación 2 (pago con tarjeta de pago automático mejorado). Seleccione de 0 a 4 centavos presionando el botón inferior izquierdo (HOT [caliente]). <ul style="list-style-type: none"> <li>• Presione el botón inferior medio (WARM [tibia]) una vez para avanzar al siguiente código.</li> </ul>
<b>A1. 00</b>	<b>DURACIÓN DEL PRELAVADO (LAVADORA)</b>
<b>A1. 00</b>	Este es el número de minutos para el prelavado. Seleccione 00 para anular el prelavado o seleccione entre 2 y 7 minutos presionando el botón inferior izquierdo (HOT [caliente]). <ul style="list-style-type: none"> <li>• Presione el botón inferior medio (WARM [tibia]) una vez para avanzar al siguiente código.</li> </ul>

FIN DE LOS PROCEDIMIENTOS DE LA PROGRAMACIÓN.

## CÓMO SALIR DEL MODO DE PROGRAMACIÓN

- Gire la llave del interruptor de servicio hacia la derecha y saque o quite la tarjeta de programación manual.

# GARANTÍA LIMITADA DE WHIRLPOOL® PARA LAVANDERÍAS COMERCIALES

## SI NECESITA SERVICIO:

Contacte a su distribuidor autorizado de Whirlpool® Lavandería Comercial. Para ubicar a su distribuidor autorizado de Whirlpool® Lavandería Comercial, visite [www.WhirlpoolCommercialLaundry.com](http://www.WhirlpoolCommercialLaundry.com).

Para correspondencia escrita:

**Whirlpool® Commercial Laundry Service Department**  
2000 N M 63  
Benton Harbor, Michigan 49022-2632 EE. UU.

## GARANTÍA LIMITADA DE 90 DÍAS

### QUÉ ESTÁ CUBIERTO

#### GARANTÍA LIMITADA DE 90 DÍAS (PIEZAS Y MANO DE OBRA)

Durante los 90 días a partir de la fecha de compra original, siempre y cuando este aparato comercial haya sido instalado, mantenido y operado según las instrucciones adjuntas o provistas con el producto, Whirlpool Corporation (en lo sucesivo denominada "Whirlpool") se hará cargo de las piezas de repuesto especificadas de fábrica para corregir defectos en los materiales o la mano de obra, existentes en el momento de la compra de este electrodoméstico principal.

#### GARANTÍA LIMITADA DE DOS AÑOS (PIEZAS SOLAMENTE)

Durante los dos primeros años a partir de la fecha de compra, siempre y cuando este aparato comercial haya sido instalado, mantenido y operado según las instrucciones adjuntas o provistas con el producto, Whirlpool Corporation (en lo sucesivo denominada "Whirlpool") se hará cargo de las piezas especificadas de fábrica o de las piezas originales del equipo del fabricante, para corregir defectos en los materiales o la mano de obra, existentes en el momento de la compra de este electrodoméstico principal.

SU ÚNICO Y EXCLUSIVO RECURSO SEGÚN LOS TÉRMINOS DE ESTA GARANTÍA LIMITADA SERÁ EL DE REPARAR EL PRODUCTO SEGÚN SE ESTIPULA EN LA PRESENTE. Whirlpool le recomienda usar un proveedor de servicios "dentro de la red" para diagnosticar y reparar su producto de Lavandería Comercial. Whirlpool no será responsable según esta garantía de proporcionar piezas de repuesto adicionales como resultado de un diagnóstico o una reparación incorrectos a cargo de una compañía de servicio "fuera de la red". Esta garantía limitada es válida en Estados Unidos o en Canadá y se aplica solamente cuando el aparato comercial se use en el país en el que se ha comprado. Esta garantía limitada está en vigencia a partir de la fecha de la compra del consumidor original. Se requiere un comprobante de la fecha de compra original para obtener servicio según esta garantía limitada.

### QUÉ NO ESTÁ CUBIERTO

1. Todos los demás costos, incluidos la mano de obra, el transporte, el envío o las tasas aduaneras por piezas cubiertas.
2. Piezas de repuesto especificadas por la fábrica si este aparato comercial se usa de un modo diferente al uso comercial normal o cuando se use de una manera contraria a las instrucciones publicadas para el usuario u operador y/o las instrucciones de instalación.
3. Visitas de servicio técnico para corregir la instalación de su aparato comercial, para enseñarle a usar su aparato comercial, para cambiar o reparar fusibles de la casa o para corregir la instalación eléctrica o de plomería externa.
4. Visitas de servicio técnico para reparar o reemplazar focos para electrodomésticos, filtros de aire o filtros de agua. Las piezas de consumo están excluidas de la cobertura de la garantía.
5. Daños causados por la manipulación indebida del producto durante la entrega, robo, accidente, alteración, uso indebido, abuso, incendio, inundación, hechos fortuitos, instalación incorrecta, instalación que no esté de acuerdo con los códigos eléctricos o de plomería locales o el empleo de productos no aprobados por Whirlpool.
6. Recogida y entrega. Este aparato comercial está diseñado para ser reparado en el lugar.
7. Reparaciones de piezas o sistemas como resultado de modificaciones no autorizadas que se hayan efectuado en el aparato.
8. La remoción y reinstalación de su aparato si estuviera instalado en un lugar inaccesible o si no estuviera instalado de conformidad con las instrucciones de instalación publicadas.
9. Daños resultantes de la exposición a sustancias químicas.
10. Cambios en el edificio, la habitación o el lugar necesarios para que el aparato comercial funcione correctamente.
11. Piezas de repuesto especificadas por la fábrica en aparatos comerciales con números de modelo/serie originales que se hayan removido, alterado o que no se puedan identificar con facilidad.
12. Cambio de color, herrumbre u oxidación de superficies de acero inoxidable.
13. Piezas de repuesto especificadas por la fábrica como resultado de un diagnóstico o una reparación incorrectos a cargo de una compañía de servicio "fuera de la red".

**El costo de la reparación o el reemplazo según estas circunstancias excluidas correrá por cuenta del cliente.**

## EXCLUSIÓN DE GARANTÍAS IMPLÍCITAS

LAS GARANTÍAS IMPLÍCITAS, INCLUSO CUALQUIER GARANTÍA IMPLÍCITA DE COMERCIABILIDAD O GARANTÍA IMPLÍCITA DE ADECUACIÓN PARA UN PROPÓSITO PARTICULAR, ESTARÁN LIMITADAS A DOS AÑOS O AL PERÍODO MÁS CORTO PERMITIDO POR LEY. Algunos estados y provincias no permiten la limitación de la duración de las garantías implícitas de comerciabilidad o adecuación, de modo que la limitación antes indicada quizá no le corresponda. Esta garantía le otorga derechos legales específicos y es posible que usted tenga también otros derechos que varían de un estado a otro o de una provincia a otra.

## EXCLUSIÓN DE DECLARACIONES FUERA DE LA GARANTÍA

Whirlpool no hace declaraciones acerca de la calidad, durabilidad o necesidad de servicio técnico o reparación de este aparato principal aparte de las declaraciones incluidas en esta Garantía. Si desea una garantía más prolongada o más completa que la garantía limitada que se incluye con este aparato principal, debe dirigirse a Whirlpool o a su distribuidor para la compra de una garantía extendida.

## LIMITACIÓN DE RECURSOS; EXCLUSIÓN DE DAÑOS INCIDENTALES Y CONSECUENTES

SU ÚNICO Y EXCLUSIVO RECURSO SEGÚN LOS TÉRMINOS DE ESTA GARANTÍA LIMITADA SERÁ EL DE REPARAR EL PRODUCTO SEGÚN SE ESTIPULA EN LA PRESENTE. WHIRLPOOL NO SE RESPONSABILIZARÁ POR DAÑOS INCIDENTALES O CONSECUENTES. Algunos estados y provincias no permiten la exclusión o limitación de daños incidentales o consecuentes, de modo que estas limitaciones y exclusiones quizá no le correspondan. Esta garantía le otorga derechos legales específicos y es posible que usted tenga también otros derechos que varían de un estado a otro o de una provincia a otra.

