

# INSTALL THE ICE MAKER

Please replace current Page 9 in the Installation Guide with this insert.

## Top/Bottom Freezer Models

### IMPORTANT:

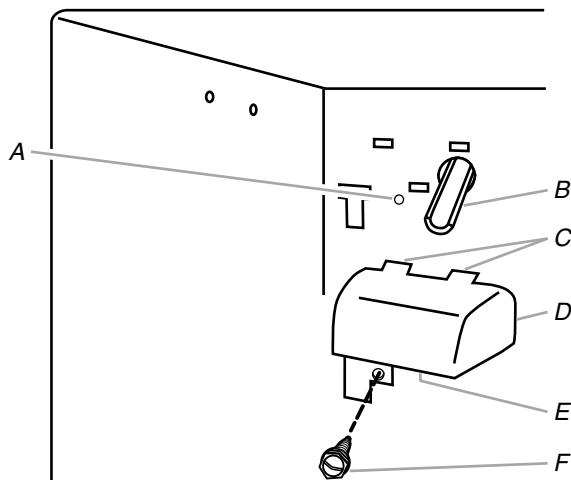
- Depending on your model, you will have one of three styles of connection. Read and follow the instructions specific to your model.
- You will be working inside the freezer compartment.

### Access Water Fill Tube and Wiring Harness

#### Style 1 - Open-Top Fill Tube with Wiring Cover

1. Remove the screw from the ice maker wiring cover.
2. Squeeze the top and bottom to release the snaps along the top edge of the cover. Remove and discard the cover.
3. Pull the 4-wire ice maker harness out from behind the back of the freezer as far as possible, and hang it over the edge of the cutout.

**NOTE:** Do not remove any other wiring.



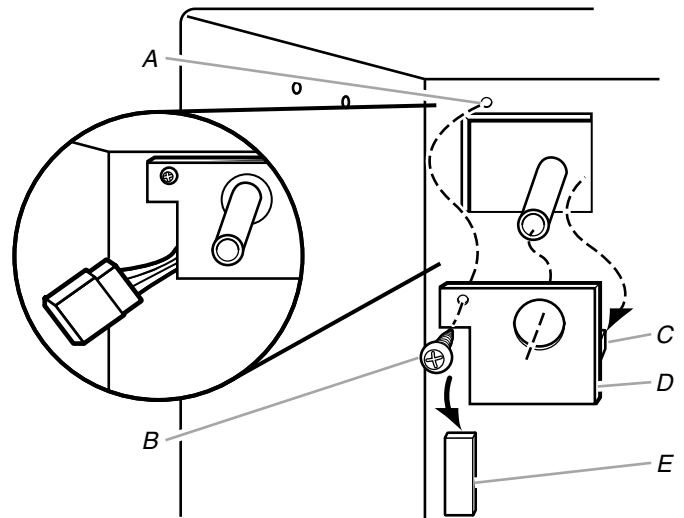
A. Mounting hole  
B. Open top fill tube  
C. Snaps

D. Cover  
E. Snap  
F. Hex screw

#### Style 2 - Flat Wiring Cover

1. Remove the screw from the ice maker wiring cover.
2. Unhook the tab on the right-hand side of the cover and remove the wiring cover.
3. Look at the back of the wiring cover and locate the grooved lines. Using pliers, bend the areas inside the grooved lines back and forth until they break away from the cover.
4. Pull the 4-wire ice maker harness out from behind the back of the freezer as far as possible, and hang it over the edge of the cutout.

**NOTE:** Do not remove any other wiring.



A. Mounting hole  
B. Hex screw  
C. Tab

D. Wiring cover  
E. Break off and discard.

#### Style 3 - Evaporator Cover Only

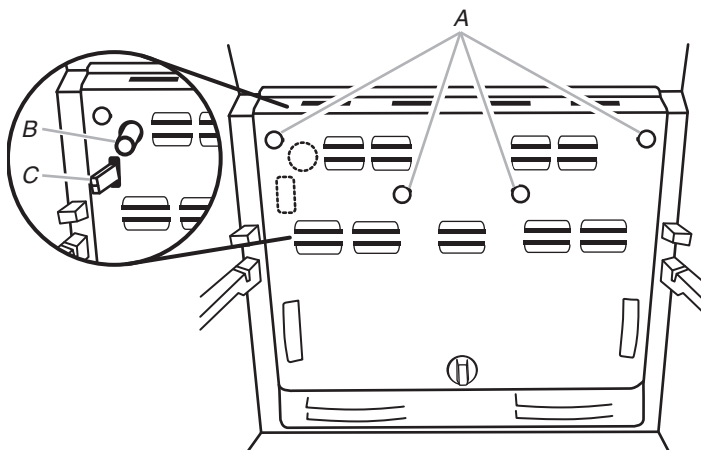
1. Remove the four plastic plugs to access the screws. Remove the four screws. Set aside.
2. Remove the evaporator cover by disengaging it from the side snaps.

**NOTE:** The evaporator cover has a plastic foam backing.

3. Punch through both the plastic foam backing and plastic evaporator cover where indicated by the indentations on the back of the cover.
4. Remove and discard the circular and rectangular cutouts to create holes for the fill tube and wire harness to pass through.

- Pull the 4-wire ice maker harness out from behind the back of the freezer as far as possible, and hang it over the edge of the cutout.

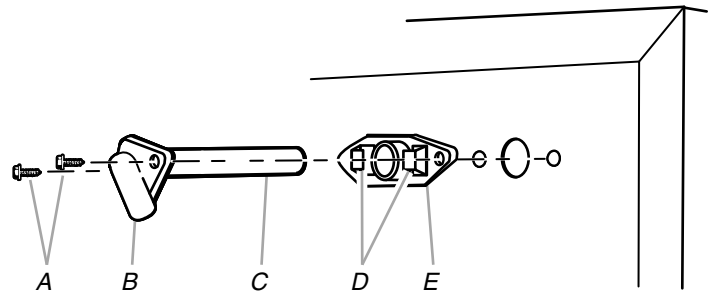
**NOTE:** Do not remove any other wiring.



A. Plastic plugs and screws  
B. Fill tube  
C. Wire harness

### 11 Cubic Foot Top Freezer (Style 1 and Style 2) Models

- Insert the bracket fill tube into the holes in the back of the freezer compartment.
- Insert the fill tube into the hole in the bracket fill tube. Twist the fill tube until the spout is locked into place between the ribs of the bracket fill tube.
- Using two 1/2" hex head sheet metal screws, fasten the bracket fill tube to the back of the freezer.

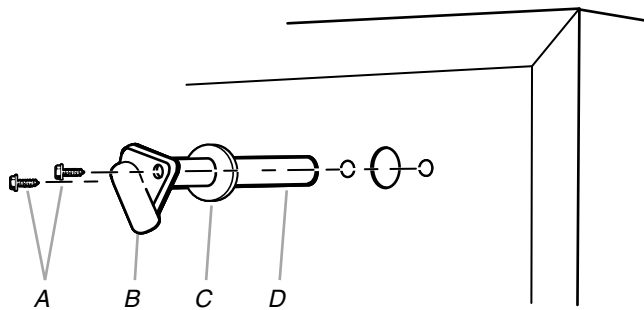


A. Hex head sheet metal screws  
B. Spout  
C. Fill tube  
D. Ribs  
E. Bracket fill tube

### Install the Fill Tube

#### 14 to 18 Cubic Foot Top Freezer and Bottom Freezer and 11 Cubic Foot (Style 3 - Evaporator Cover) Models

- Locate the fill tube and the round foam gasket from the ice maker kit. Slide the gasket over the end of the fill tube.  
**NOTE:** The gasket may already be installed on the fill tube.
- With the spout facing downward, insert the other end of the fill tube into the hole in the back of the freezer.
- Using two 1/2" hex head sheet metal screws, fasten the fill tube to the freezer.



A. Hex head sheet metal screws  
B. Spout  
C. Foam gasket  
D. Fill tube

### Replace the Cover

#### Style 1 - Open Top Ice Maker Fill Tube with Wiring Cover

- Do not replace the cover.

#### Style 2 - Flat Wiring Cover

- Thread the wiring harness through the slot and place the cover over the fill tube.
- Hook the tab in the side of the cover into the slot in the back of the freezer. Using the hex screw removed earlier, fasten the cover to the freezer.

#### Style 3 - Evaporator Cover Only

- Thread the wiring harness through the cutout and place the evaporator cover over the fill tube.
- Using the screws and plastic plugs removed earlier, fasten the cover to the freezer.