

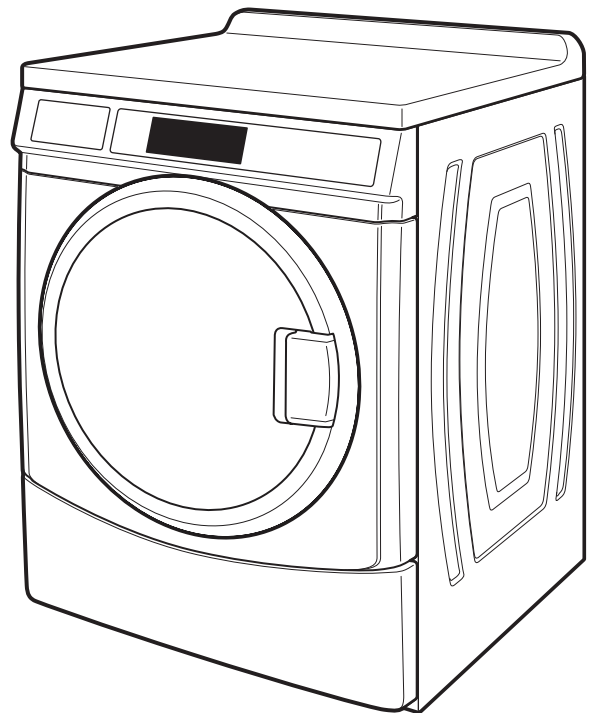
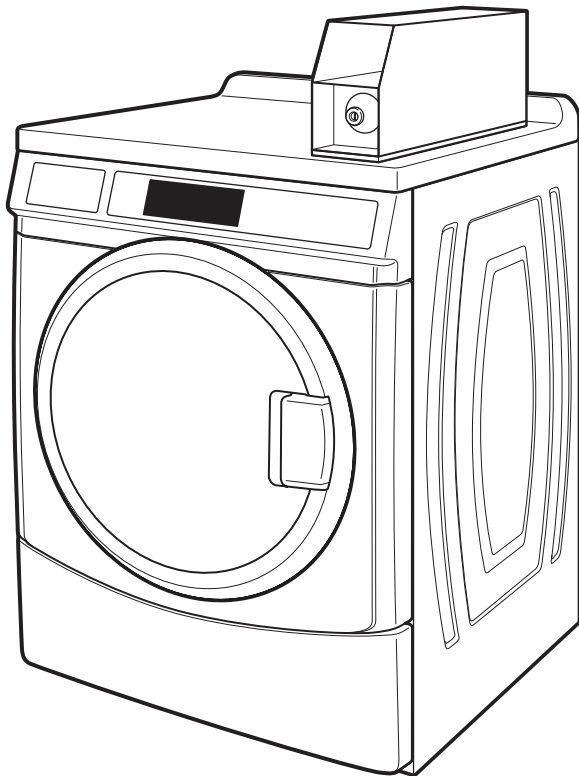


INSTALLATION INSTRUCTIONS

Commercial Dryer Gas or Electric

INSTRUCTIONS D'INSTALLATION

Sécheuse commerciale (gaz et électrique)



www.whirlpoolcommerciallaundry.com

W11475243A
W11475244A-SP

TABLE OF CONTENTS

	Page
DRYER SAFETY	2
INSTALLATION REQUIREMENTS	5
Tools and Parts	5
Dimensions/Clearances	6
Venting Requirements	7
Gas Dryer Installation Requirements	9
Electric Dryer Installation Requirements	13
INSTALLING LEVELING LEGS, COIN SLIDE, AND COIN BOX	16
LEVELING	17
INSTALLATION INSTRUCTIONS – GAS DRYER	17
Make Gas Connection	17
ELECTRIC DRYER ELECTRICAL CONNECTIONS (FOR U.S.A. ONLY)	18
COMPLETE INSTALLATION	23
REVERSING DRYER DOOR SWING	24
MAINTENANCE INSTRUCTIONS	26
IF YOU NEED ASSISTANCE	26
ELECTRONIC CONTROL SETUP INSTRUCTIONS	27
WARRANTY	33

TABLE DE MATIÈRES

	Page
SÉCURITÉ DE LA SÈCHEUSE	34
EXIGENCES D'INSTALLATION	37
Outils et pièces	37
Dimensions/dégagements.....	38
Exigences concernant l'évacuation.....	39
Exigences d'installation de la sècheuse à gaz	41
Exigences d'installation de la sècheuse électrique	45
INSTALLATION DES PIEDS DE NIVELLEMENT, DE LA GLISSIÈRE À MONNAIE ET DE LA CAISSE À MONNAIE	48
MISE À NIVEAU	49
INSTRUCTIONS D'INSTALLATION – SÈCHEUSE À GAZ	49
Raccordement au gaz	49
RACCORDEMENTS DE LA SÈCHEUSE ÉLECTRIQUE	50
FIN DE L'INSTALLATION	55
INVERSION DU SENS D'OUVERTURE DE LA PORTE DE LA SÈCHEUSE (OPTIONNEL)	56
INSTRUCTIONS D'ENTRETIEN	58
EN CAS DE BESOIN D'ASSISTANCE	58
INSTRUCTIONS DE CONFIGURATION DES COMMANDES ÉLECTRONIQUES	59
GARANTIE	65

DRYER SAFETY

Your safety and the safety of others are very important.

We have provided many important safety messages in this manual and on your appliance. Always read and obey all safety messages.



This is the safety alert symbol.

This symbol alerts you to potential hazards that can kill or hurt you and others.

All safety messages will follow the safety alert symbol and either the word “DANGER” or “WARNING.”

These words mean:

⚠ DANGER

You can be killed or seriously injured if you don't immediately follow instructions.

⚠ WARNING

You can be killed or seriously injured if you don't follow instructions.

All safety messages will tell you what the potential hazard is, tell you how to reduce the chance of injury, and tell you what can happen if the instructions are not followed.

- It is recommended that the owner post, in a prominent location, instructions for the customer's use in the event the customer smells gas. This information should be obtained from your gas supplier.
- Post the following warning in a prominent location.

FOR YOUR SAFETY

Do not store or use gasoline or other flammable vapors and liquids in the vicinity of this or any other appliance.

 **WARNING:**

FIRE OR EXPLOSION HAZARD

Failure to follow safety warnings exactly could result in serious injury, death or property damage.

- Do not store or use gasoline or other flammable vapors and liquids in the vicinity of this or any other appliance.
- **WHAT TO DO IF YOU SMELL GAS:**
 - Do not try to light any appliance.
 - Do not touch any electrical switch; do not use any phone in your building.
 - Clear the room, building, or area of all occupants.
 - Immediately call your gas supplier from a neighbor's phone. Follow the gas supplier's instructions.
 - If you cannot reach your gas supplier, call the fire department.
- Installation and service must be performed by a qualified installer, service agency, or the gas supplier.

WARNING: Gas leaks cannot always be detected by smell.

Gas suppliers recommend that you use a gas detector approved by UL or CSA.

For more information, contact your gas supplier.

If a gas leak is detected, follow the "What to do if you smell gas" instructions.



WARNING - "Risk of Fire"

- Clothes dryer installation must be performed by a qualified installer.
- Install the clothes dryer according to the manufacturer's instructions and local codes.
- Do not install a clothes dryer with flexible plastic venting materials or flexible metal (foil type) duct. If flexible metal duct is installed, it must be of a specific type identified by the appliance manufacturer as suitable for use with clothes dryers. Flexible venting materials are known to collapse, be easily crushed, and trap lint. These conditions will obstruct clothes dryer airflow and increase the risk of fire.
- To reduce the risk of severe injury or death, follow all installation instructions.
- Save these instructions.

DRYER SAFETY

In the State of Massachusetts, the following installation instructions apply:

- Installations and repairs must be performed by a qualified or licensed contractor, plumber, or gas fitter qualified or licensed by the State of Massachusetts.
- Acceptable Shut-off Devices: Gas Cocks and Ball Valves installed for use shall be listed.
- A flexible gas connector, when used, must not exceed 4 feet (121.9 cm).

IMPORTANT SAFETY INSTRUCTIONS

WARNING: To reduce the risk of fire, electric shock, or injury to persons when using the dryer, follow basic precautions, including the following:

- Read all instructions before using the dryer.
- Do not place items exposed to cooking oils in your dryer. Items contaminated with cooking oils may contribute to a chemical reaction that could cause a load to catch fire. To reduce the risk of fire due to contaminated loads, the final part of a tumble dryer cycle occurs without heat (cool down period). Avoid stopping a tumble dryer before the end of the drying cycle unless all items are quickly removed and spread out so that the heat is dissipated.
- Do not dry articles that have been previously cleaned in, washed in, soaked in, or spotted with gasoline, dry-cleaning solvents, or other flammable or explosive substances as they give off vapors that could ignite or explode.
- Do not allow children to play on or in the dryer. Close supervision of children is necessary when the dryer is used near children.
- Before the dryer is removed from service or discarded, remove the door to the drying compartment.
- Do not reach into the dryer if the drum is moving.
- Do not install or store the dryer where it will be exposed to the weather.
- Do not tamper with controls.
- Do not repair or replace any part of the dryer or attempt any servicing unless specifically recommended in this Use and Care Guide or in published user-repair instructions that you understand and have the skills to carry out.
- Do not use fabric softeners or products to eliminate static unless recommended by the manufacturer of the fabric softener or product.
- Do not use heat to dry articles containing foam rubber or similarly textured rubber-like materials.
- Clean lint screen before or after each load.
- Keep area around the exhaust opening and adjacent surrounding areas free from the accumulation of lint, dust, and dirt.
- The interior of the dryer and exhaust vent should be cleaned periodically by qualified service personnel.
- See "Electrical Requirements" located in the installation instructions for grounding instructions.

SAVE THESE INSTRUCTIONS

IMPORTANT: The gas installation must conform with local codes, or in the absence of local codes, with the National Fuel Gas Code, ANSI Z223.1/NFPA 54, or the Natural Gas and Propane Installation Code, CSA B149.1.

The dryer must be electrically grounded in accordance with local codes, or in the absence of local codes, with the National Electrical Code, ANSI/NFPA 70, or the Canadian Electrical Code, Part 1, CSA C22.1.

WARNING

Fire Hazard

Failure to follow safety warnings exactly could result in serious injury, death, or property damage.

Do not install a booster fan in the exhaust duct.

Install all clothes dryers in accordance with the installation instructions of the manufacturer of the dryer.

IMPORTANT SAFETY INSTRUCTIONS

When discarding or storing your old clothes dryer, remove the door.

SAVE THESE INSTRUCTIONS

INSTALLATION REQUIREMENTS

Tools and Parts

Tools Needed:



8" or 10" Pipe Wrench



8" or 10"
Adjustable Wrench
that opens to 1"



Flat-Blade Screwdriver



Phillips Screwdriver



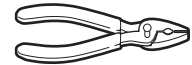
TORX T-20[†] Security
Screwdriver or Bit



1" Hex-Head
Socket Wrench



1/4" Socket Wrench



Pliers (that open to 1⁹/₁₆"



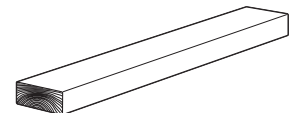
Level



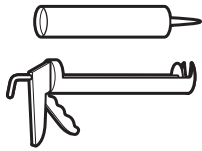
Utility Knife



1/4" Nut Driver



27" Wood Block



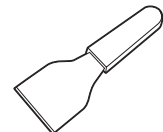
Caulk Gun and Caulk
(for installing new exhaust vent)



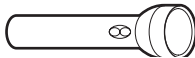
Vent Clamps



Pipe-Joint Compound
suitable for gas type



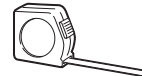
Putty Knife



Flashlight (optional)



1" Open-End Wrenches

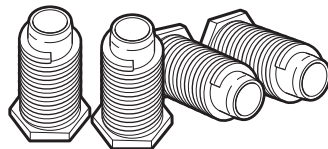


Ruler or Measuring Tape

Parts Supplied:



Foot Boots (4)



Leveling Legs (4)

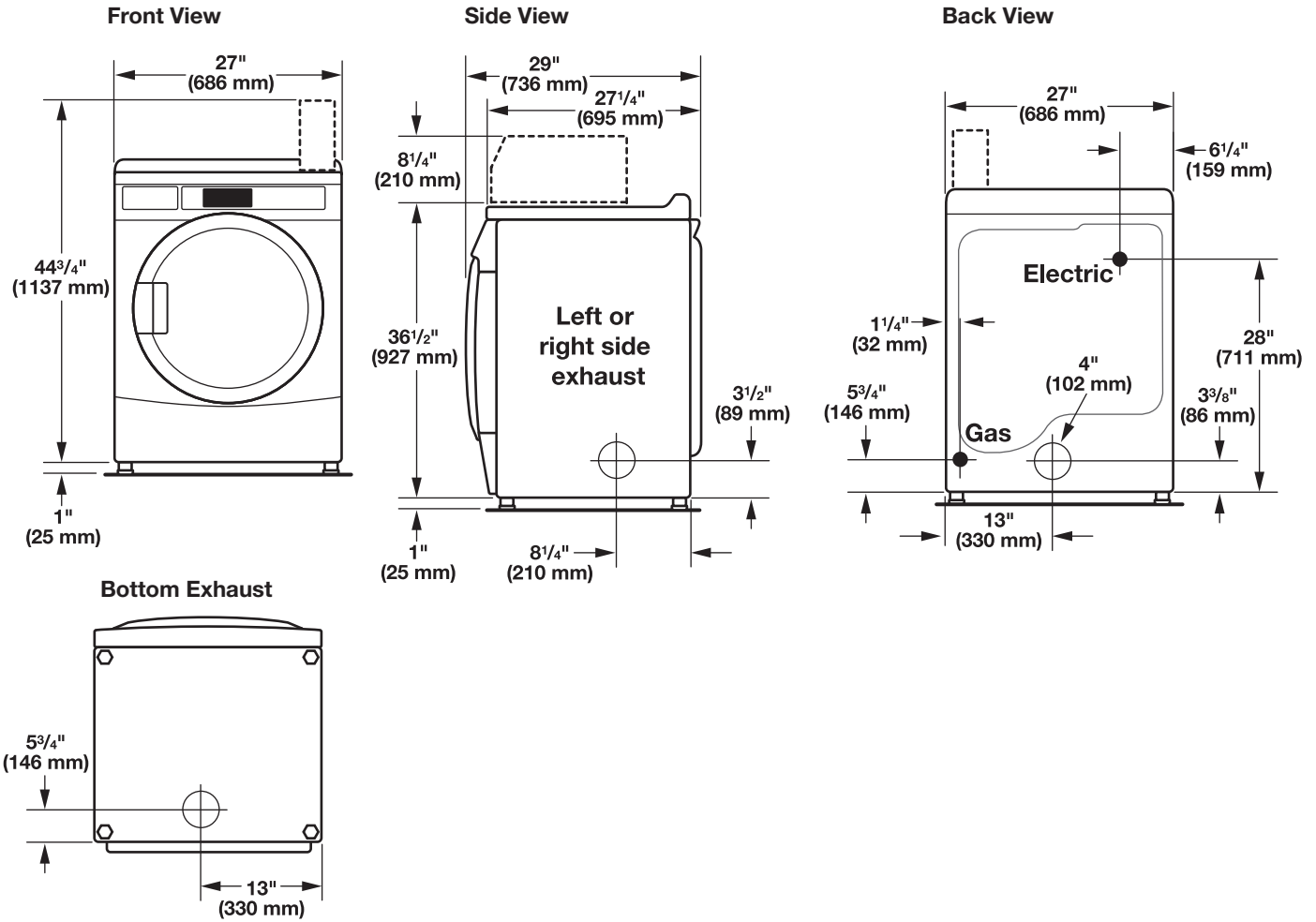
To locate factory specified replacement parts in your area, contact the dealer from whom you purchased your dryer.

[†]TORX and T20 are trademarks of Acument Intellectual Properties, LLC.

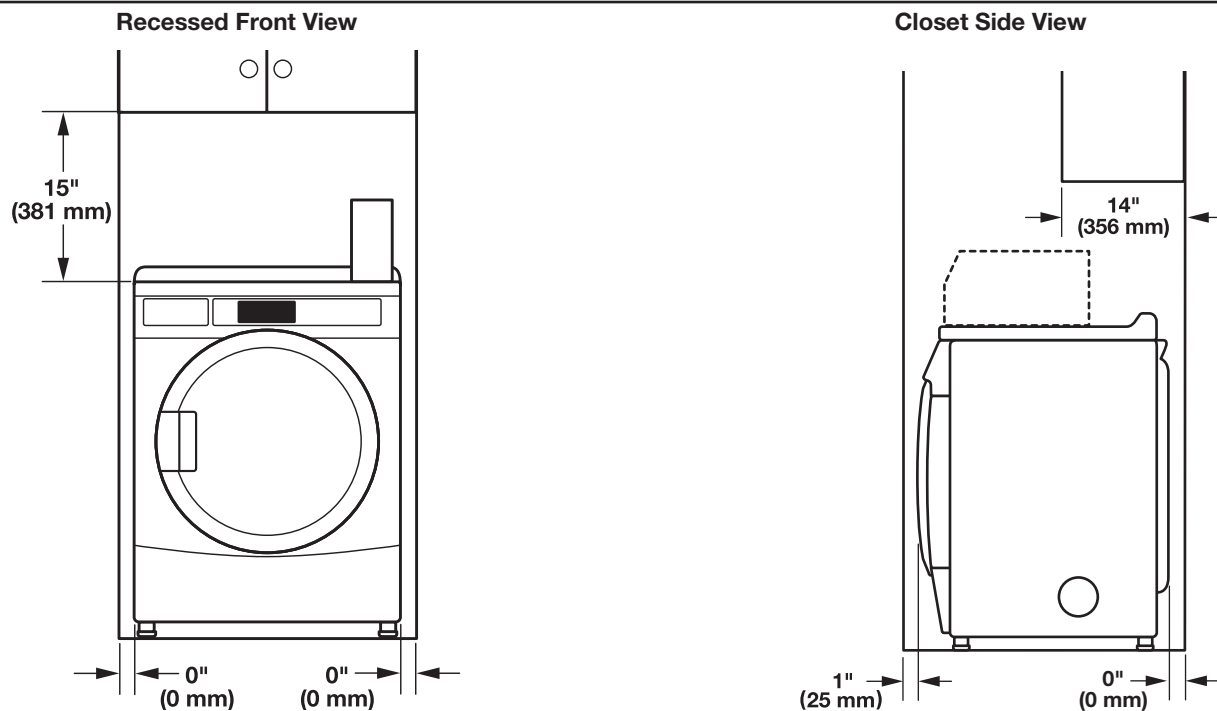
INSTALLATION REQUIREMENTS

Dimensions/Clearances

Dimensions



Clearances



INSTALLATION REQUIREMENTS

Venting Requirements

WARNING



Fire Hazard

Use a heavy metal vent.

Do not use a plastic vent.

Do not use a metal foil vent.

Failure to follow these instructions can result in death or fire.

WARNING: To reduce the risk of fire, this dryer MUST BE EXHAUSTED OUTDOORS.

IMPORTANT: Observe all governing codes and ordinances.

- The dryer exhaust must not be connected into any gas vent, chimney, wall, ceiling, attic, crawlspace, or a concealed space of a building. Only rigid or flexible vent shall be used for exhausting.
- Only a 4" (102 mm) heavy, metal exhaust vent and clamps may be used.
- Do not use an exhaust hood with a magnetic latch.
- Use clamps to seal all joints. Do not use screws or other fastening devices that extend into the interior of the duct and catch lint. Do not use duct tape.
- Do not use plastic or metal foil vent.

Rigid metal vent:

- Recommended for best drying performance and to avoid crushing and kinking.

Flexible metal vent (acceptable only if accessible to clean):

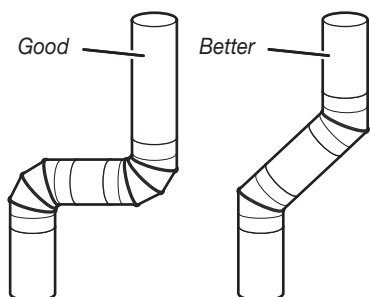
- Must be fully extended and supported in final dryer location.
- Remove excess to avoid sagging and kinking that may result in reduced airflow and poor performance.
- Do not install in enclosed walls, ceilings, or floors.
- The total length should not exceed 7¾ ft. (2.4 m).

An exhaust hood should cap the vent to prevent rodents and insects from entering the home or business.

Exhaust hood must be at least 12" (305 mm) from the ground or any object that may be in the path of the exhaust (such as flowers, rocks, or bushes).

If using an existing vent system, clean lint from the entire length of the system and make sure exhaust hood is not plugged with lint. Replace any plastic or metal foil vent with rigid metal or flexible metal vent.

Plan installation to use the fewest number of elbows and turns.



Allow as much room as possible when using elbows or making turns. Bend vent gradually to avoid kinking.

Vent outlet is located at the back of the dryer, at bottom center.

The vent can be routed up, down, left, right, behind the dryer, or straight out the back of the dryer. See "Product Dimensions" in the "Location Requirements" section.

Make-up air:

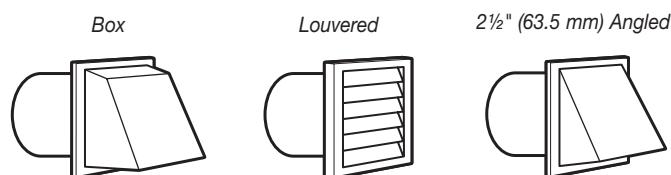
Although each single-load dryer should have an unobstructed outdoor air opening of 24 in² (154 cm²) (based on 1 square inch [6.5 cm²] per 1,000 Btu [252 kcal]), common make-up air openings are also acceptable. Set up common openings so that the make-up air is distributed equally to all of the dryers. Keep in mind that the coverage area must be increased by 33% to account for use of registers or louvers over the openings. Also, make-up air openings should not be installed near the location of exhaust vents exiting the building.

Vent System Length

Maximum length of vent system depends upon the type of vent used, number of elbows, and type of exhaust hood. The maximum length for rigid vent is shown in the chart.

Maximum Vent Length

4" (102 mm) Diameter Exhaust Hoods



Vent System Chart (Rigid Metal Vent)

No. of 90° Turns	Box and Louvered Hood	Angled Hood
0	64 ft. (19.5 m)	58 ft. (17.7 m)
1	54 ft. (16.5 m)	48 ft. (14.6 m)
2	44 ft. (13.4 m)	38 ft. (11.6 m)
3	35 ft. (10.7 m)	29 ft. (8.8 m)
4	27 ft. (8.2 m)	21 ft. (6.4 m)

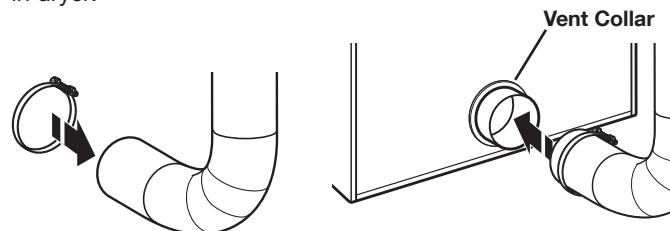
For vent systems not covered by the vent specification chart, see your parts distributor.

Provision must be made for enough air for combustion and ventilation. (Check governing codes and ordinances.) See "Recessed Area and Closet Installation Instructions" in the "Location Requirements" sections.

A 4" (102 mm) outlet hood is preferred. However, a 2½" (64 mm) outlet exhaust hood may be used. A 2½" (64 mm) outlet creates greater back pressure than other hood types. For permanent installation, a stationary vent system is required.

Connect Vent

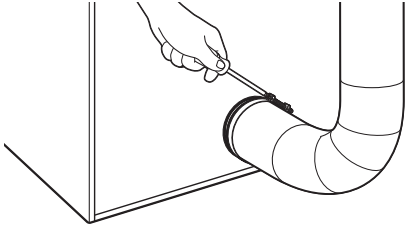
1. If connecting to existing vent, make sure the vent is clean.
2. Using a 4" (102 mm) clamp, connect vent to exhaust outlet in dryer.



NOTE: Do not remove vent collar.

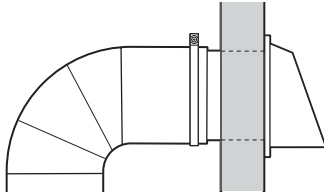
INSTALLATION REQUIREMENTS

3. Tighten hose clamp with Phillips screwdriver.



4. Make sure the vent is secured to exhaust hood with a 4" (102 mm) clamp.

5. Move dryer into final position. Do not crush or kink vent. Make sure dryer is level.



NOTE: Testing for proper ventilation should be done with a Manometer. Minimum: 0.01" (0.2 mm). Maximum: 0.6" (16 mm).

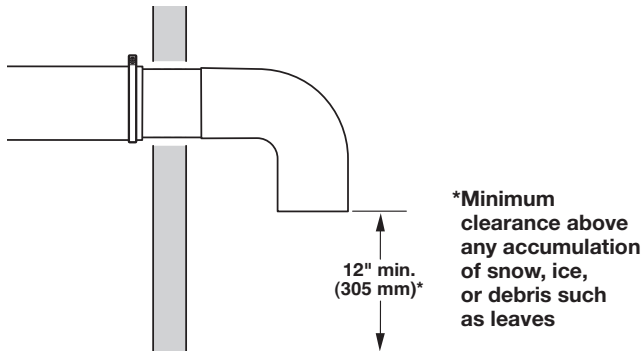
For vent systems not covered by the vent specification chart, see your parts distributor.

If dryer is installed in a confined area, such as a bedroom, bathroom, or closet, provision must be made for enough air for combustion and ventilation. (Check governing codes and ordinances.) See "Recessed Area and Closet Installation Instructions" in the "Location Requirements" section.

A 4" (102 mm) outlet hood is preferred. However, a 2½" (64 mm) outlet exhaust hood may be used. A 2½" (64 mm) outlet creates greater back pressure than other hood types. For permanent installation, a stationary vent system is required.

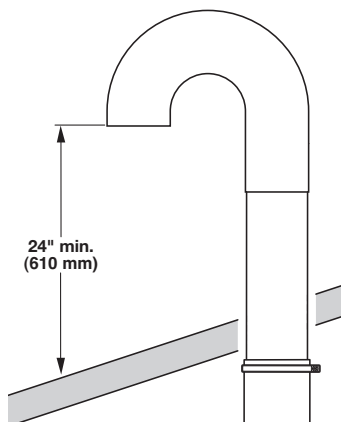
If An Exhaust Hood Cannot Be Used

The outside end of the main vent should have a sweep elbow directed downward.



If the main vent travels vertically through the roof, rather than through the wall, install a 180° sweep elbow on the end of the vent at least 2 ft. (610 mm) above the highest part of the building. The opening in the wall or roof shall have a diameter ½" (13 mm) larger than the vent diameter. The vent should be centered in the opening.

Do not install screening or cap over the end of the vent.

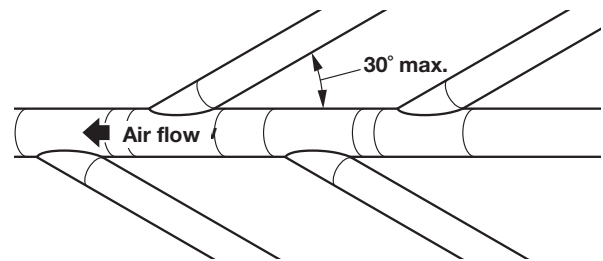


Multiple Dryer Venting

- A main vent can be used for venting a group of dryers. The main vent should be sized to remove 200 CFM of air per dryer. Large-capacity lint screens of proper design may be used in the main vent if checked and cleaned frequently. The room where the dryers are located should have make-up air equal to or greater than the CFM of all the dryers in the room.
- A back-draft damper kit is needed and is available from a commercial laundry distributor; it should be installed in the vent of each dryer to prevent exhausted air from returning into the dryers and to keep the exhaust in balance within the main vent. Unobstructed return air openings are required.

Each vent should enter the main vent at an angle pointing in the direction of the airflow. Vents entering from the opposite side should be staggered to reduce the exhausted air from interfering with the other vents.

The maximum angle of each vent entering the main vent should be no more than 30°.



Keep air openings free of dry cleaning fluid fumes. Fumes create acids which, when drawn through the dryer heating units, can damage dryers and items being dried.


A clean-out cover should be located on the main vent for periodic cleaning of the vent system.

INSTALLATION REQUIREMENTS

Gas Dryer Installation Requirements

Location Requirements

⚠ WARNING



Explosion Hazard

Keep flammable materials and vapors, such as gasoline, away from dryer.

Do not install in a garage.

Failure to do so can result in death, explosion, or fire.

IMPORTANT: Do not install or store the dryer where it will be exposed to water and/or the weather. Proper installation is your responsibility.

You will need:

- A grounded electrical outlet located within 6 ft. (1.8 m) of where the power cord is attached to the back of the dryer. See “Electrical Requirements.”
- A level floor with a maximum slope of 1" (25 mm) under entire dryer. Installing the dryer on soft floor surfaces, such as carpets or surfaces with foam backing, is not recommended.

Gas dryer installation clearances

- The location must be large enough to allow the dryer door to be fully opened.
- Additional spacing should be considered for ease of installation and servicing. The door opens more than 180°.
- Additional clearances might be required for wall, door, and floor moldings.
- Additional spacing of 1" (25 mm) on all sides of the dryer is recommended to reduce noise transfer.

When installing a gas dryer:

IMPORTANT: Observe all governing codes and ordinances.

- Check code requirements: Some codes limit or do not permit installation of clothes dryers in garages, closets, or sleeping quarters. Contact your local building inspector.
- Make sure that lower edges of the cabinet, plus the back and bottom sides of the dryer, are free of obstructions to permit adequate clearance of air openings for combustion air. See “Recessed Area and Closet Installation Instructions” below for minimum spacing requirements.

Recessed Area and Closet Installation Instructions

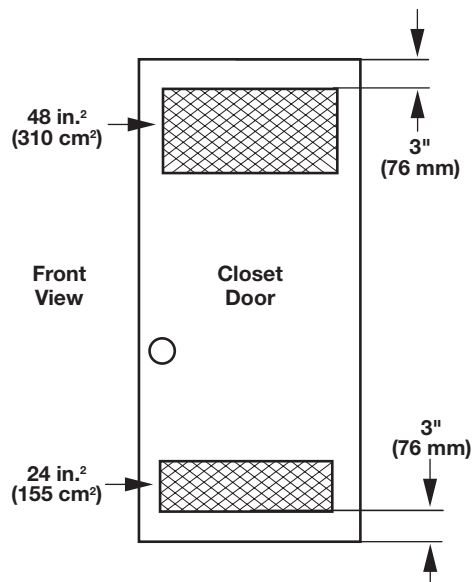
This dryer may be installed in a recessed area or closet. For recessed area and closet installations, minimum clearances can be found on the warning label on the rear of the dryer or in “Dimensions/Clearances.”

The installation spacing is in inches and is the minimum allowable. Additional spacing should be considered for ease of installation, servicing, and compliance with local codes and ordinances.

If closet door is installed, the minimum unobstructed air opening in the top and bottom is required. Louvered doors with equivalent air openings are acceptable.

The dryer must be exhausted outdoors.

No other fuel-burning appliance may be installed in the same closet as the dryer.



INSTALLATION REQUIREMENTS

Electrical Requirements - Gas Dryer

⚠ WARNING



Electrical Shock Hazard

Plug into a grounded 3 prong outlet.

Do not remove ground prong.

Do not use an adapter.

Do not use an extension cord.

Failure to follow these instructions can result in death, fire, or electrical shock.

IMPORTANT: The dryer must be electrically grounded in accordance with local codes and ordinances or, in the absence of local codes, with the National Electrical Code, ANSI/NFPA 70, latest edition, or Canadian Electrical Code, CSA C22.1. If codes permit and a separate ground wire is used, it is recommended that a qualified electrical installer determine that the ground path is adequate.

A copy of the above code standards can be obtained from:

National Fire Protection Association
One Batterymarch Park, Quincy, MA 02269

CSA International
8501 East Pleasant Valley Road
Cleveland, Ohio 44131-5575

- Do not ground to a gas pipe.
- Do not have a fuse in the neutral or ground circuit.
- A 120 V, 60 Hz, AC-only, 15 or 20 A, fused electrical circuit is required. A time-delay fuse or circuit breaker is also recommended. It is recommended that a separate circuit serving only this dryer be provided.
- This dryer is equipped with a power supply cord having a 3 prong grounding plug.
- To minimize the possibility of shock, the cord must be plugged into a mating, 3 prong, grounding-type outlet, grounded in accordance with local codes and ordinances. If a mating outlet is not available, it is the personal responsibility and obligation of the customer to have the properly grounded outlet installed by a qualified electrician.
- If codes permit and a separate ground wire is used, it is recommended that a qualified electrician determine that the ground path is adequate.
- Check with a qualified electrician if you are not sure the dryer is properly grounded.

Gas Dryer Grounding

GROUNDING INSTRUCTIONS

■ For a grounded, cord-connected dryer:
This dryer must be grounded. In the event of malfunction or breakdown, grounding will reduce the risk of electric shock by providing a path of least resistance for electric current. This dryer uses a cord having an equipment-grounding conductor and a grounding plug. The plug must be plugged into an appropriate outlet that is properly installed and grounded in accordance with all local codes and ordinances.

■ For a permanently connected dryer:
This dryer must be connected to a grounded metal, permanent wiring system, or an equipment-grounding conductor must be run with the circuit conductors and connected to the equipment-grounding terminal or lead on the dryer.

WARNING: Improper connection of the equipment-grounding conductor can result in a risk of electric shock. Check with a qualified electrician or service representative or personnel if you are in doubt as to whether the dryer is properly grounded. Do not modify the plug on the power supply cord: if it will not fit the outlet, have a proper outlet installed by a qualified electrician.

SAVE THESE INSTRUCTIONS

INSTALLATION REQUIREMENTS

Gas Supply

⚠ WARNING



Explosion Hazard

Use a new CSA International approved gas supply line.

Install a shut-off valve.

Securely tighten all gas connections.

If connected to propane, have a qualified person make sure gas pressure does not exceed 13" (33 cm) water column.

Examples of a qualified person include:

**licensed heating personnel,
authorized gas company personnel, and
authorized service personnel.**

Failure to do so can result in death, explosion, or fire.

When installed above 10,000 feet (3048 m), a four percent (4%) reduction of the burner B.T.U. rating shown on the model/serial plate is required for each 1,000 foot (305 m) increase in elevation. For assistance when converting to other gas types and/or installing above 10,000 feet (3048 m) elevation, contact your local service company.

Gas supply pressure required to operate this dryer is a minimum of 5.2" wc (1.30 kPa) and a maximum of 10.5" wc (2.62 kPa).

IMPORTANT: Observe all governing codes and ordinances.

This installation must conform with all local codes and ordinances. In the absence of local codes, installation must conform with American National Standard, National Fuel Gas Code ANSI Z223.1/NFPA 54 or CAN/CSA B149.

A copy of the above code standards can be obtained from:

National Fire Protection Association
One Batterymarch Park, Quincy, MA 02269

CSA International
8501 East Pleasant Valley Road
Cleveland, Ohio 44131-5575

The design of this dryer has been certified by CSA International for use at altitudes up to 10,000 feet (3048 m) above sea level at the B.T.U. rating indicated on the model/serial plate. Burner input adjustments are not required when the dryer is operated up to this elevation.

INSTALLATION REQUIREMENTS

Type of Gas

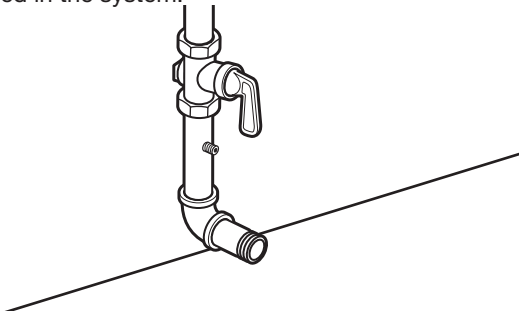
This dryer is equipped for use with natural gas. It is design-certified by CSA International for propane and butane gases with appropriate conversion. No attempt shall be made to convert dryer from gas specified on serial/rating plate for use with a different gas without consulting the serving gas supplier.

Conversion must be done by a qualified service technician. Gas conversion kit part number is W10402145. This number can also be found on a label on the gas valve burner base.

Gas Supply Line

Recommended Method

Provide a gas supply line of 1/2" (13 mm) rigid (IPS) pipe to dryer location. Pipe joint compounds that resist action of propane gas must be used. Do not use TEFLON[†] tape. With propane gas, piping or tubing size can be 1/2" (13 mm) minimum. Usually, propane gas suppliers determine size and materials used in the system.



Gas Supply Pressure Testing

A 1/8" NPT minimum plugged tapping, accessible for gauge testing, must be installed immediately downstream of the installed shut-off valve to the dryer (as shown above). The dryer must be disconnected from the gas supply piping system during any pressure testing of the system at test pressures in excess of 1/2" psig (352 kg/m²). The dryer must be isolated from the gas supply piping system by closing the equipment shut-off valve during any pressure testing of the gas supply piping system at test pressures equal to or less than 1/2" psig (352 kg/m²).

Expected Pressures For Gas Supply

	Minimum Inches of Water	Maximum Inches of Water
Natural Gas	5.2	10.5
Propane Gas	8.0	13.0

Alternate Method

The gas supply may also be connected using 3/8" (10 mm) approved copper or aluminum tubing. If the total length of the supply line is more than 20 ft. (6.1 m), larger tubing will be required.

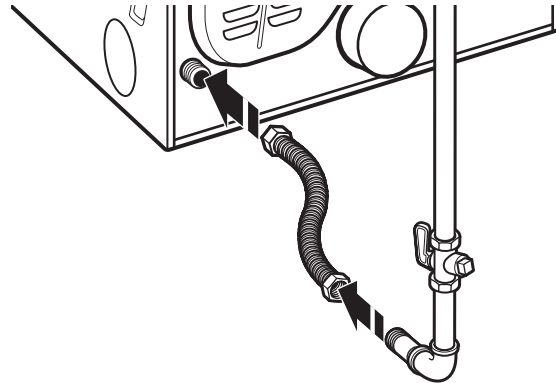
If using natural gas, do not use copper tubing. Pipe joint compounds that resist action of type of gas supplied must be used.

Shut-off valve required

The supply line must be equipped with a manual shut-off valve installed within 6 ft. (1.8 m) of dryer in accordance with National Fuel Gas Code, ANSI Z223.1. This valve should be located in same room as dryer. It should be in a location that allows ease of opening and closing. Do not block access to shut-off valve. In Canada, an individual manual shut-off valve must be installed in accordance with the B149 installation codes CAN/CGA B149.1 and CAN/CGA B149.2.

Flexible Metal Appliance Connector

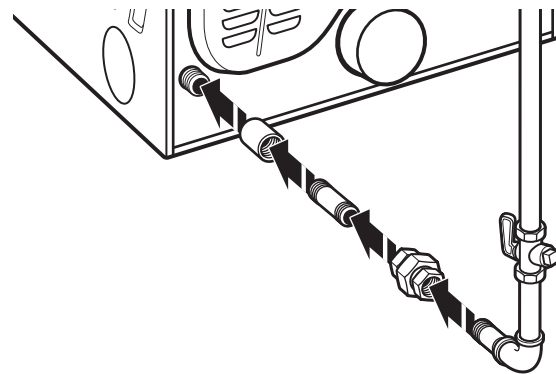
It is recommended that a new flexible stainless steel gas line, design-certified by CSA International, be used for connecting the dryer to the gas supply line. (The gas pipe which extends through the lower rear of the dryer is provided with 3/8" male pipe thread.)



NOTE: Do not kink or damage the flexible stainless steel gas line when moving the dryer.

Rigid Pipe Connection

The rigid pipe connection requires a combination of pipe fittings to obtain an in-line connection to the dryer.




INSTALLATION REQUIREMENTS

Electric Dryer Installation Requirements

Location Requirements

⚠ WARNING



Explosion Hazard

Keep flammable materials and vapors, such as gasoline, away from dryer.

Do not install in a garage.

Failure to do so can result in death, explosion, or fire.

IMPORTANT: Do not install or store the dryer where it will be exposed to water and/or the weather. Proper installation is your responsibility.

You will need:

- A grounded electrical outlet located within 6 ft. (1.8 m) of where the power cord is attached to the back of the dryer. See “Electrical Requirements.”
- A level floor with a maximum slope of 1" (25 mm) under entire dryer. Installing the dryer on soft floor surfaces, such as carpets or surfaces with foam backing, is not recommended.

Electric dryer installation clearances

- The location must be large enough to allow the dryer door to be fully opened.
- Additional spacing should be considered for ease of installation and servicing. The door opens more than 180°.
- Additional clearances might be required for wall, door, and floor moldings.
- Additional spacing of 1" (25 mm) on all sides of the dryer is recommended to reduce noise transfer.

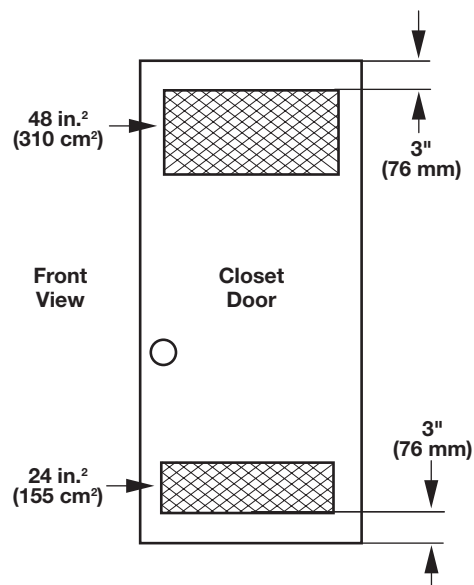
Recessed Area and Closet Installation Instructions

This dryer may be installed in a recessed area or closet. For recessed area and closet installations, minimum clearances can be found on the warning label on the rear of the dryer or in “Dimensions/Clearances.”

The installation spacing is in inches and is the minimum allowable. Additional spacing should be considered for ease of installation, servicing, and compliance with local codes and ordinances.

If closet door is installed, the minimum unobstructed air opening in the top and bottom is required. Louvered doors with equivalent air openings are acceptable.

The dryer must be exhausted outdoors.



Electrical Requirements – U.S.A. only

It is your responsibility:

- To contact a qualified electrical installer.
- To be sure that the electrical connection is adequate and in conformance with the National Electrical Code, ANSI/NFPA 70-latest edition and all local codes and ordinances.
- The National Electrical Code requires a 4-wire power supply connection for homes built after 1996, dryer circuits involved in remodeling after 1996, and all mobile home installations.
- A copy of the above code standards can be obtained from: National Fire Protection Association, One Batterymarch Park, Quincy, MA 02269.
- To supply the required 3- or 4-wire, single-phase, 120/240 V, 60 Hz, AC-only electrical supply (or 3- or 4-wire, 120/208 V electrical supply, if specified on the serial/rating plate) on a separate 30 A circuit, fused on both sides of the line. A time delay fuse or circuit breaker is recommended. Connect to an individual branch circuit. Do not have a fuse in the neutral or grounding circuit.
- Do not use an extension cord.
- If codes permit and a separate ground wire is used, it is recommended that a qualified electrician determine that the ground path is adequate.

INSTALLATION REQUIREMENTS

Electrical Requirements – U.S.A. only (cont.)

Electrical Connection

To properly install your dryer, you must determine the type of electrical connection you will be using and follow the instructions provided for it here.

- This dryer is manufactured ready to install with a 3-wire electrical supply connection. The neutral ground conductor is permanently connected to the neutral conductor (white wire) within the dryer. If the dryer is installed with a 4-wire electrical supply connection, the neutral ground conductor must be removed from the external ground connector (green screw), and secured under the neutral terminal (center or white wire) of the terminal block. When the neutral ground conductor is secured under the neutral terminal (center or white wire) of the terminal block, the dryer cabinet is isolated from the neutral conductor.
- If local codes do not permit the connection of a neutral ground wire to the neutral wire, see “Optional 3-wire connection” section.
- A 4-wire power supply connection must be used when the appliance is installed in a location where grounding through the neutral conductor is prohibited. Grounding through the neutral is prohibited for (1) new branch-circuit installations and (2) areas where local codes prohibit grounding through the neutral conductor.

Electric Dryer Grounding

GROUNDING INSTRUCTIONS

- For a grounded, cord-connected dryer:
This dryer must be grounded. In the event of malfunction or breakdown, grounding will reduce the risk of electric shock by providing a path of least resistance for electric current. This dryer uses a cord having an equipment-grounding conductor and a grounding plug. The plug must be plugged into an appropriate outlet that is properly installed and grounded in accordance with all local codes and ordinances.
- For a permanently connected dryer:
This dryer must be connected to a grounded metal, permanent wiring system, or an equipment-grounding conductor must be run with the circuit conductors and connected to the equipment-grounding terminal or lead on the dryer.

WARNING: Improper connection of the equipment-grounding conductor can result in a risk of electric shock. Check with a qualified electrician or service representative or personnel if you are in doubt as to whether the dryer is properly grounded. Do not modify the plug on the power supply cord: if it will not fit the outlet, have a proper outlet installed by a qualified electrician.

SAVE THESE INSTRUCTIONS

Electric Dryer Power Supply Cord

WARNING



Fire Hazard

- Use a new UL listed 30 amp power supply cord.**
- Use a UL listed strain relief.**
- Disconnect power before making electrical connections.**
- Connect neutral wire (white or center wire) to center terminal.**
- Ground wire (green or bare wire) must be connected to green ground connector.**
- Connect remaining 2 supply wires to remaining 2 terminals (gold).**
- Securely tighten all electrical connections.**
- Failure to do so can result in death, fire, or electrical shock.**

If using a power supply cord:

Use a UL-listed power supply cord kit marked for use with clothes dryers. The kit should contain:

- A UL-listed 30 A power supply cord, rated 120/240 V minimum. The cord should be type SRD or SRDT and be at least 4 ft. (1.22 m) long. The wires that connect to the dryer must end in ring terminals or “U”-shaped spade terminals with upturned ends.
- A UL-listed strain relief.

If your outlet looks like this:



4-wire
receptacle
(14-30R)

Then choose a 4-wire power supply cord with ring or spade terminals and UL-listed strain relief. The 4-wire power supply cord, at least 4 ft. (1.22 m) long, must have four 10-gauge copper wires and match a 4-wire receptacle of NEMA Type 14-30R. The ground wire (ground conductor) may be either green or bare. The neutral conductor must be identified by a white cover.

If your outlet looks like this:



3-wire
receptacle
(10-30R)

Then choose a 3-wire power supply cord with ring or spade terminals and UL-listed strain relief. The 3-wire power supply cord, at least 4 ft. (1.22 m) long, must have three 10-gauge copper wires and match a 3-wire receptacle of NEMA Type 10-30R.

INSTALLATION REQUIREMENTS

Direct Wire

WARNING



Fire Hazard

Use 10 gauge copper wire.

Use a UL listed strain relief.

Disconnect power before making electrical connections.

Connect neutral wire (white or center wire) to center terminal.

Ground wire (green or bare wire) must be connected to green ground connector.

Connect remaining 2 supply wires to remaining 2 terminals (gold).

Securely tighten all electrical connections.

Failure to do so can result in death, fire, or electrical shock.

If connecting by direct wire:

Power supply cable must match power supply (4-wire or 3-wire) and be:

- Flexible armored cable or nonmetallic sheathed copper cable (with ground wire), covered with flexible metallic conduit. All current-carrying wires must be insulated.
- 10-gauge solid copper wire (do not use aluminum).
- At least 5 ft. (1.52 m) long.

Electrical Requirements – Canada only

WARNING



Electrical Shock Hazard

Plug into a grounded 4 prong outlet.

Failure to do so can result in death or electrical shock.

- Do not use an extension cord.

If you are using a replacement power supply cord, it is recommended that you use Power Supply Cord Replacement Part Number 8579325. For further information, please reference the service numbers located in the “Assistance or Service” section.

It is your responsibility:

- To contact a qualified electrical installer.
- To be sure that the electrical connection is adequate and in conformance with the Canadian Electrical Code, C22.1 – latest edition and all local codes. A copy of the above codes standard may be obtained from: Canadian Standards Association, 178 Rexdale Blvd., Toronto, ON M9W 1R3 CANADA.
- To supply the required 4 wire, single phase, 120/240 V, 60 Hz, AC-only electrical supply on a separate 30 A circuit, fused on both sides of the line. A time-delay fuse or circuit breaker is recommended. Connect to an individual branch circuit.
- This dryer is equipped with a CSA International Certified Power Cord intended to be plugged into a standard 14-30R wall receptacle. The cord is 5 ft (1.52 m) in length. Be sure wall receptacle is within reach of dryer's final location.



4-wire
receptacle
(14-30R)

GROUNDING INSTRUCTIONS

- For a grounded, cord-connected dryer:
This dryer must be grounded. In the event of malfunction or breakdown, grounding will reduce the risk of electric shock by providing a path of least resistance for electric current. This dryer uses a cord having an equipment-grounding conductor and a grounding plug. The plug must be plugged into an appropriate outlet that is properly installed and grounded in accordance with all local codes and ordinances.
- For a permanently connected dryer:
This dryer must be connected to a grounded metal, permanent wiring system, or an equipment-grounding conductor must be run with the circuit conductors and connected to the equipment-grounding terminal or lead on the dryer.

WARNING: Improper connection of the equipment-grounding conductor can result in a risk of electric shock. Check with a qualified electrician or service representative or personnel if you are in doubt as to whether the dryer is properly grounded. Do not modify the plug on the power supply cord: if it will not fit the outlet, have a proper outlet installed by a qualified electrician.

SAVE THESE INSTRUCTIONS

INSTALLING LEVELING LEGS, COIN SLIDE, AND COIN BOX

The coin slide mechanism, control panel lock and key, and coin box lock and key are not included and are available from usual industry sources. A special coin slide extension must be used on this model and can be purchased from the coin slide distributor.

⚠ WARNING

Excessive Weight Hazard

Use two or more people to move and install dryer.

Failure to do so can result in back or other injury.

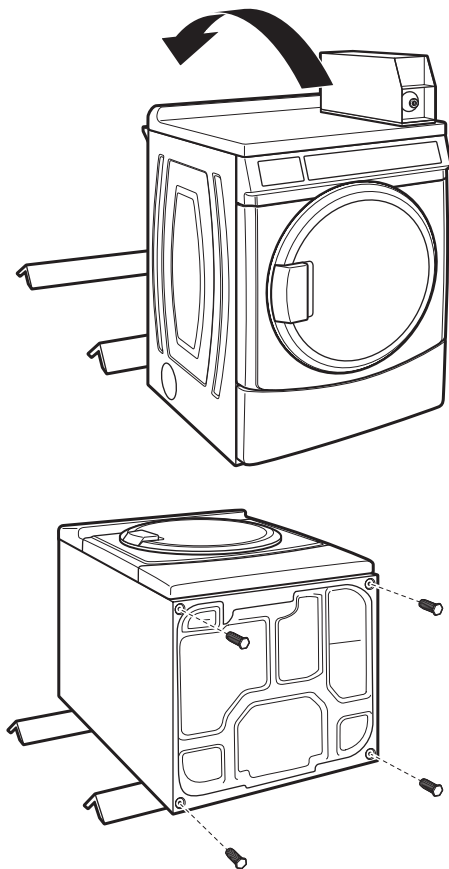
1. Prepare dryer for leveling legs

NOTE: Slide dryer onto cardboard or hardboard before moving to avoid damaging floor covering.

Using two or more people, move dryer to desired installation location.

Take tape off front corners of dryer. Open dryer and remove the literature and parts packages. Wipe drum interior with damp cloth to remove any dust.

Take two cardboard corners from the dryer carton and place them on the floor in back of the dryer. Firmly grasp body of the dryer and gently lay it on its back on the cardboard corners.

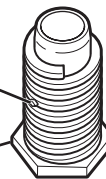


2. Screw in leveling legs

Examine leveling legs and find diamond marking. Screw legs into leg holes by hand. Use an adjustable wrench or 1" (25 mm) hex-head socket wrench to finish turning legs until diamond marking is no longer visible. Then fit a covered foot boot over each leg foot. For floors with greater slopes, a longer leveling foot (part no. 279810) is available.

Diamond Marking

Foot

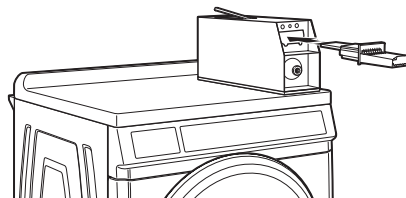


To protect the floor, use a large piece of cardboard from the dryer carton. Stand dryer up on the cardboard. Slide the dryer until it is close to its final location. Leave enough room for electrical connection and to connect the exhaust vent.

On some models: The meter case houses the factory-installed coin slide mechanism, service lock and key, and coin box lock and key.

3. Install coin slide and coin box

Remove the service door of the meter case by lifting it up at the back. Install the money-accepting device. (Refer to manufacturer's instructions for proper installation.)



Replace the meter case service door. Put the coin vault with lock and key in the meter case opening.

Remove cardboard or hardboard from under dryer. Adjust the legs of the dryer up or down until the dryer is level.

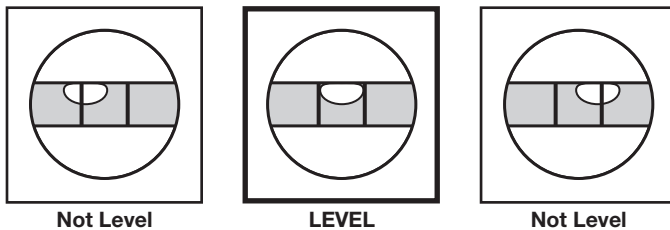
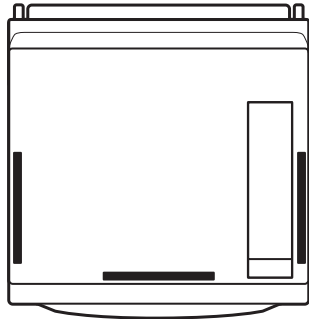
Leveling your dryer properly reduces excess noise and vibration.

⚠️ WARNING

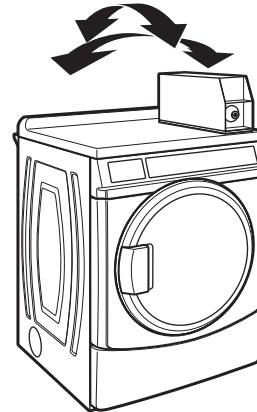
Excessive Weight Hazard

Use two or more people to move and install dryer.
Failure to do so can result in back or other injury.

1. Remove cardboard from beneath dryer. Place a level on top edges of dryer, checking each side and front. If not level, tip dryer and adjust feet up or down, repeating as necessary.



2. Grip dryer from top and rock back and forth, making sure all four feet are firmly on floor. Repeat, rocking dryer from side to side. If dryer rocks, adjust leveling feet.



3. If dryer is not level, turn the leveling feet counterclockwise to lower the dryer or clockwise to raise the dryer. Recheck levelness of dryer and that all four feet are firmly in contact with the floor. Repeat as needed.

HELPFUL TIP: You may want to prop up front of dryer about 4" (102 mm) with a wood block or similar object that will support weight of dryer.

INSTALLATION INSTRUCTIONS – GAS DRYER

Make Gas Connection

⚠️ WARNING



Explosion Hazard

Use a new CSA International approved gas supply line.
Install a shut-off valve.

Securely tighten all gas connections.

If connected to propane, have a qualified person make sure gas pressure does not exceed 13" (33 cm) water column.

Examples of a qualified person include:
licensed heating personnel,
authorized gas company personnel, and
authorized service personnel.

Failure to do so can result in death, explosion, or fire.

1. Remove red cap from gas pipe on back of dryer.
2. Connect gas supply to dryer. Use a pipe thread compound approved for the type of gas supplied. If flexible metal tubing is used, be certain there are no kinks.
If necessary for service, open the front lower service panel by using a 1/4" nutdriver to remove the 2 hex-head screws from the bottom of the panel. Then lift up on the panel while pulling the bottom of the panel away from the dryer.
3. Open the shut-off valve in the gas supply line and make sure the dryer has its own gas supply opened.
4. Test all connections by brushing on an approved noncorrosive leak-detection solution. Bubbles will show a leak. Correct any leaks found.

ELECTRIC DRYER ELECTRICAL CONNECTIONS

Connection Options

Power Cord

4-wire receptacle (NEMA Type 14-30R)
Go to "Power Supply Cord Connection" section.

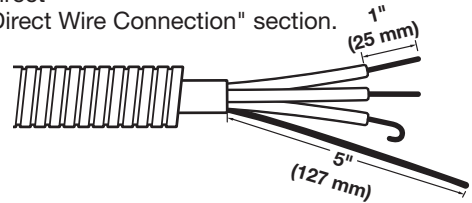


3-wire receptacle (NEMA Type 10-30R)
Go to "Power Supply Cord Connection" section.

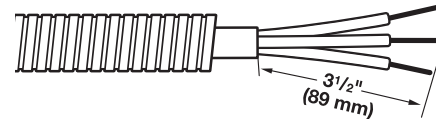


Direct Wire

4-wire direct
Go to "Direct Wire Connection" section.



3-wire direct
Go to "Direct Wire Connection" section.



NOTE: If local codes do not permit connection of a cabinet-ground conductor to neutral wire, go to "Connecting 3-Wire Connection: Optional" section. This connection may be used with either a power supply cord or a direct wire connection.

Power Supply Cord Connection

WARNING

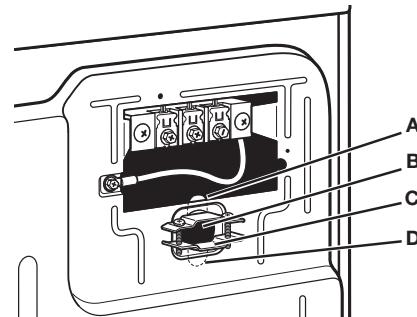


Fire Hazard

- Use a new UL listed 30 amp power supply cord.
- Use a UL listed strain relief.
- Disconnect power before making electrical connections.
- Connect neutral wire (white or center wire) to center terminal (silver).
- Ground wire (green or bare wire) must be connected to green ground connector.
- Connect remaining 2 supply wires to remaining 2 terminals (gold).
- Securely tighten all electrical connections.
- Failure to do so can result in death, fire, or electrical shock.

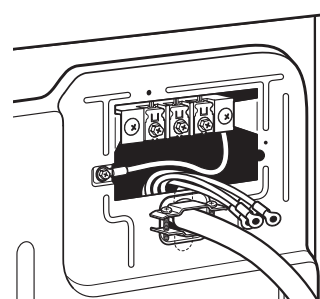
Power Supply Cord Strain Relief

1. Insert strain relief.



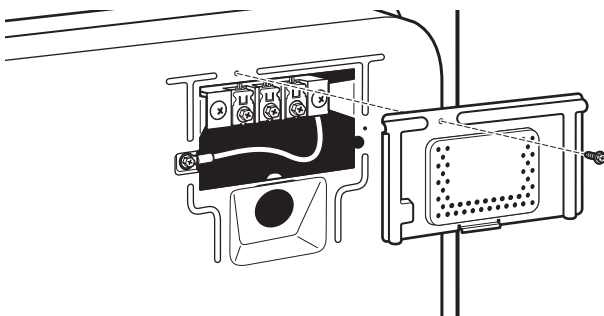
Remove the screws from a 3/4" (19 mm) UL listed strain relief. Put the tabs of the two clamp sections (C) into the hole below the terminal block opening (B) so that one tab is pointing up (A) and the other is pointing down (D), and hold in place. Tighten strain relief screws just enough to hold the two clamp sections (C) together.

2. Insert power cord into strain relief.



Put power supply cord through the strain relief. Be sure that the wire insulation on the power supply cord is inside the strain relief. The strain relief should have a tight fit with the dryer cabinet and be in a horizontal position. Do not further tighten strain relief screws at this point.

Remove Terminal Block Cover



Remove hold-down screw and terminal block cover.

ELECTRIC DRYER ELECTRICAL CONNECTIONS

Connecting 4-Wire Connection: Power Supply Cord

IMPORTANT: A 4-wire connection is required for mobile homes and where local codes do not permit the use of 3-wire connections.

Standard Power Supply Cord Connectors



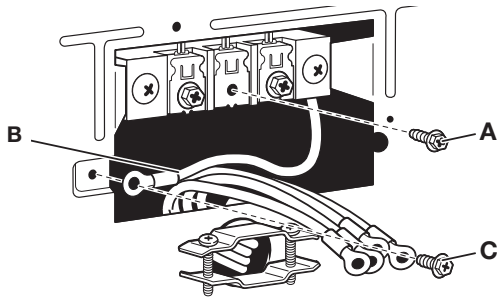
Flanged Spade Connector



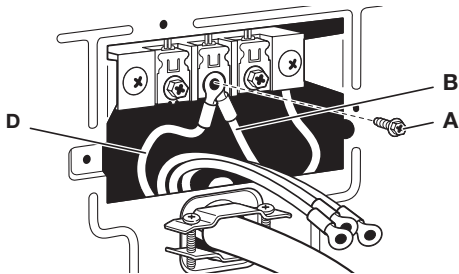
Ring Connector

Connecting Ground and Neutral Wires

1. Remove center terminal block screw (A) and neutral ground wire (B) by removing the external ground conductor screw (C).

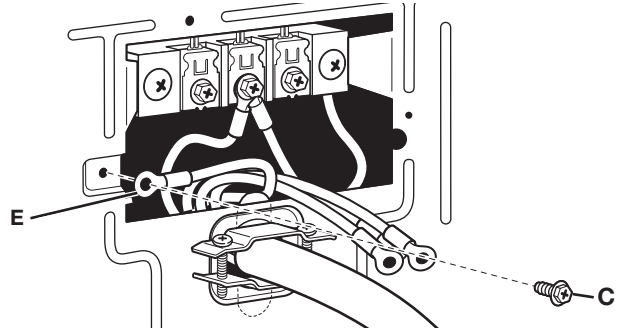


2. Connect neutral ground wire (B) and neutral wire (white or center wire) (D) of power supply cord under center terminal block screw (A). Tighten screw.



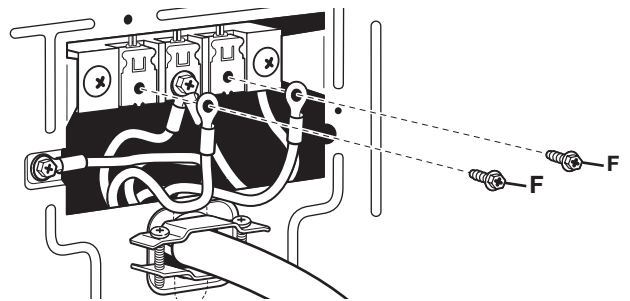
Connecting Power Cord Ground Wire

3. Connect ground wire (green or bare) (E) of power supply cord under green external ground conductor screw (C). Tighten screw.



Connecting Remaining Wires

4. Connect remaining wires with outer terminal block screws (F). Tighten screws. Finally, reinstall terminal block cover to dryer rear panel. Secure cover with hold-down screw. Now go to "Venting Requirements."



Connecting 3-Wire Connection: Power Supply Cord

Standard Power Cord Connectors



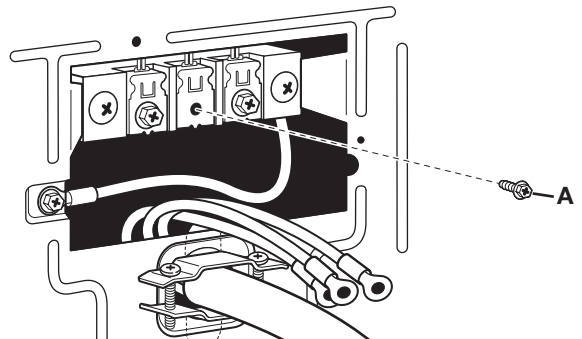
Flanged Spade Connector



Ring Connector

Connecting Neutral Wire

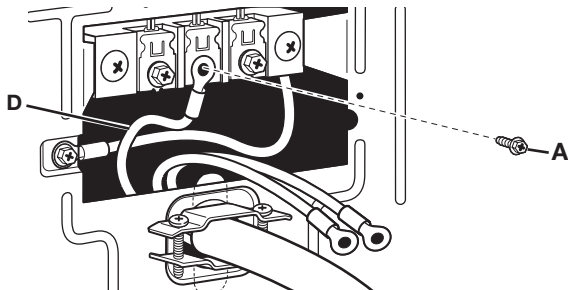
1. Loosen or remove center terminal block screw (A).



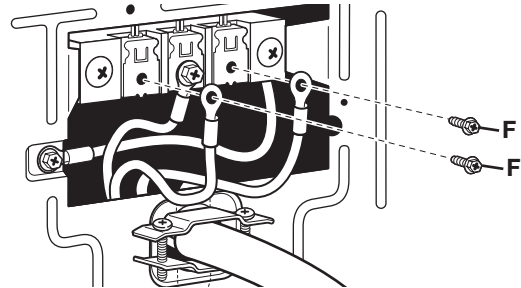
ELECTRIC DRYER ELECTRICAL CONNECTIONS

Connecting 3-Wire Connection: Power Supply Cord (cont.)

2. Connect neutral wire (white or center wire) (D) of power supply cord under center terminal block screw (A). Tighten screw.



3. Connect remaining wires under outer terminal block screws (F). Tighten screws. Finally, reinstall terminal block cover to dryer rear panel. Secure cover with hold-down screw. Now go to "Venting Requirements."



Direct Wire Connection

⚠ WARNING

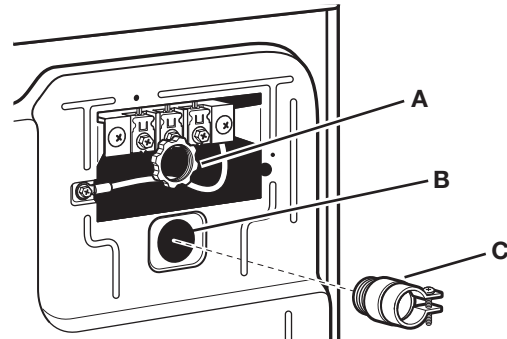


Fire Hazard

- Use 10 gauge copper wire.
- Use a UL listed strain relief.
- Disconnect power before making electrical connections.
- Connect neutral wire (white or center wire) to center terminal (silver).
- Ground wire (green or bare wire) must be connected to green ground connector.
- Connect remaining 2 supply wires to remaining 2 terminals (gold).
- Securely tighten all electrical connections.
- Failure to do so can result in death, fire, or electrical shock.

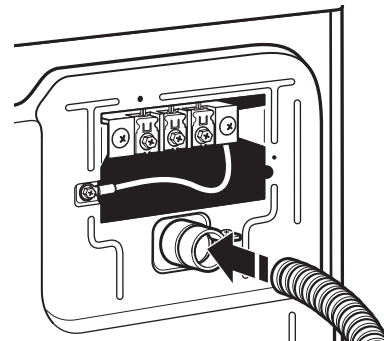
Direct Wire Strain Relief

1. Insert strain relief.



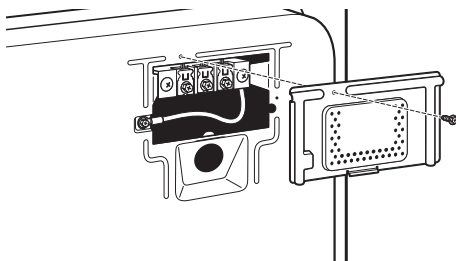
Unscrew the removable conduit connector (A) and any screws from a 3/4" (19 mm) UL listed strain relief. Put the threaded section of the strain relief (C) through the hole below the terminal block opening (B). Reaching inside the terminal block opening, screw the removable conduit connector (A) onto the strain relief threads.

2. Insert conduit into strain relief and tighten clamp.



Put direct wire cable through the strain relief. The strain relief should have a tight fit with the dryer cabinet and be in a horizontal position. Tighten strain relief screw against the direct wire cable.

Remove Terminal Block Cover



Remove hold-down screw and terminal block cover.

ELECTRIC DRYER ELECTRICAL CONNECTIONS

Connecting 4-Wire Connection: Direct Wire

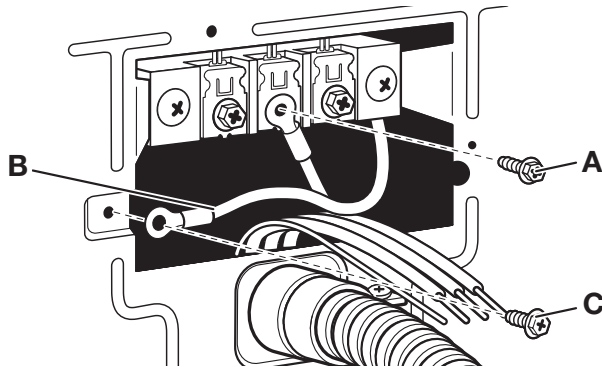
IMPORTANT: A 4-wire connection is required for mobile homes and where local codes do not permit the use of 3-wire connections.

Direct wire cable must have 5 ft. (1.52 m) of extra length so dryer can be moved if needed.

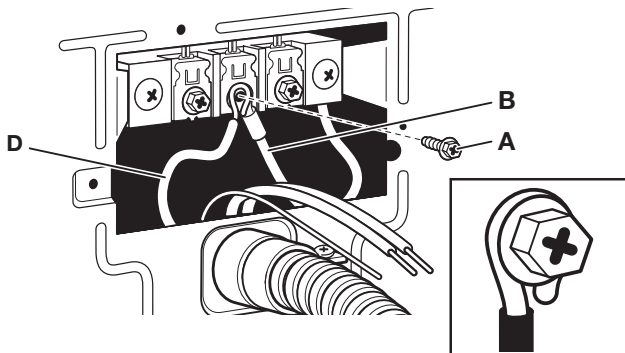
Strip 5" (127 mm) of outer covering from end of cable, leaving bare ground wire at 5" (127 mm). Cut 1½" (38 mm) from three remaining wires. Strip insulation back 1" (25 mm). Shape ends of wires into a hook shape.

Connecting Neutral Ground and Neutral Wires

1. Remove center terminal block screw (A) and neutral ground wire (B) by removing the external ground connector screw (C).

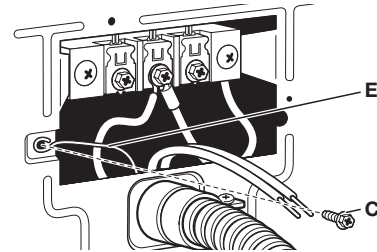


2. Connect neutral ground wire (B) and place hooked end (hook facing right) of neutral wire (white or center wire) cable (D) of direct wire cable under center terminal block screw (A). Squeeze hooked ends together and tighten screw.



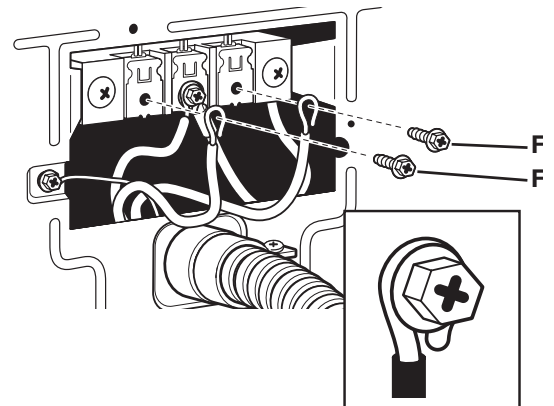
Connecting Direct Wire Ground

3. Connect ground wire (green or bare wire) (E) of direct wire cable under green external ground conductor screw (C). Tighten screw.



Connecting Remaining Wires

4. Connect remaining wires under outer terminal block screws (F). Squeeze hooked ends together and tighten screws. Finally, reinstall terminal block cover to dryer rear panel. Secure cover with hold-down screw. Now go to "Venting Requirements."



ELECTRIC DRYER ELECTRICAL CONNECTIONS

Connecting 3-Wire Connection: Direct Wire

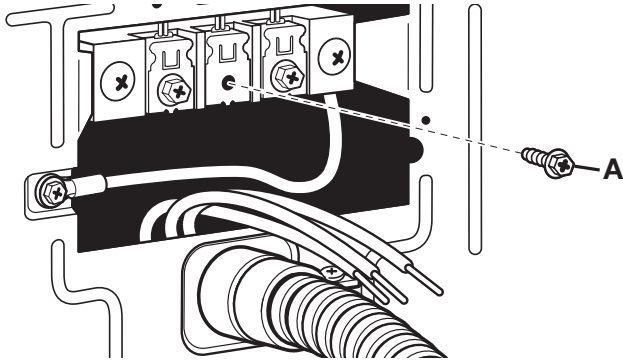
Use where local codes permit connecting cabinet-ground conductor to neutral wire.

Direct wire cable must have 5 ft. (1.52 m) of extra length so dryer can be moved if needed.

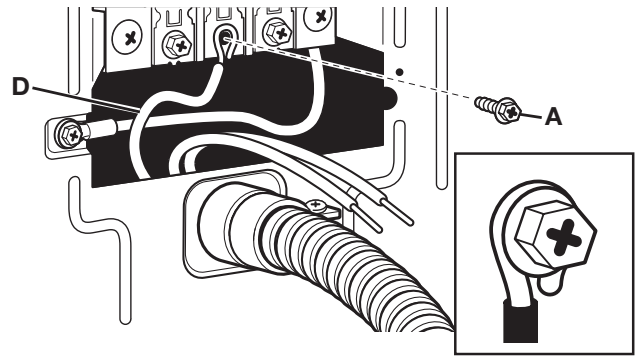
Strip 3½" (89 mm) of outer covering from end of cable. Strip insulation back 1" (25 mm). If using 3-wire cable with ground wire, cut bare wire even with outer covering. Shape ends of wires into a hook shape.

Connecting Neutral Wire

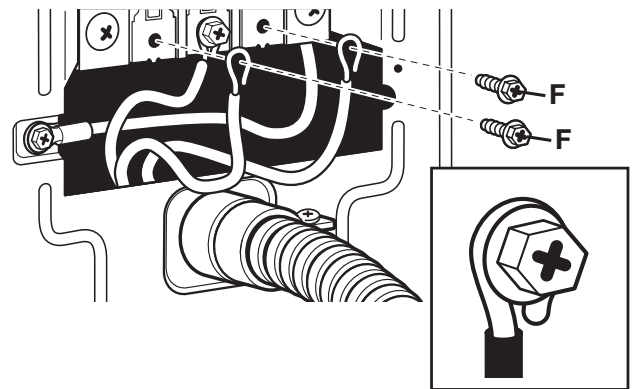
1. Loosen or remove center terminal block screw (A).



2. Place hooked end of neutral wire (white or center wire) (D) of direct wire cable under center terminal block screw (A), hook facing right. Squeeze hooked end together and tighten screw.



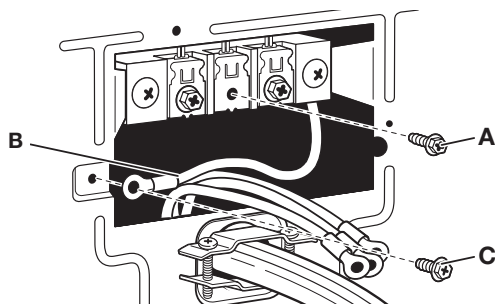
2. Place hooked end of neutral wire (white or center wire) (D) of direct wire cable under center terminal block screw (A), hook facing right. Squeeze hooked end together and tighten screw.



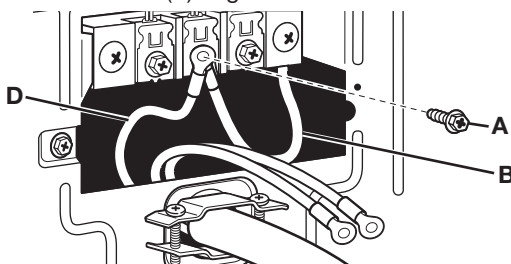
Connecting 3-Wire Connection: Optional

Use for direct wire or power supply cord where local codes do not permit connecting cabinet-ground conductor to neutral wire.

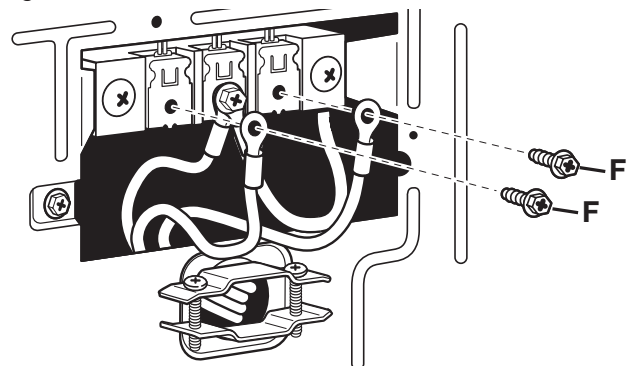
1. Remove center terminal block screw (A). Also, remove neutral ground wire (B) by removing external ground conductor screw (C).



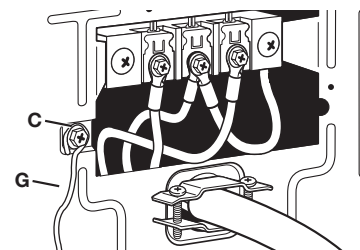
2. Connect neutral ground wire (B) and neutral wire (white or center wire) (D) of power supply cord/cable under center terminal block screw (A). Tighten screw.



3. Connect remaining wires under outer terminal block screws (F). Tighten screws.



4. Connect a separate copper ground wire (G) under the green external ground conductor screw (C) to an adequate ground. Finally, reinstall terminal block to dryer rear panel. Secure cover with hold-down screw. Now go to "Venting Requirements."



COMPLETE INSTALLATION

1. Check the electrical requirements. Be sure that you have the correct electrical supply and the recommended grounding method. See “Electrical Requirements.”
2. Check that all parts are now installed. If there is an extra part, go back through the steps.
3. Check that you have all of your tools.
4. Dispose of/recycle all packaging materials.

⚠ WARNING



Electrical Shock Hazard

Plug into a grounded 3 or 4 prong outlet.

Do not remove ground prong.

Do not use an adapter.

Do not use an extension cord.

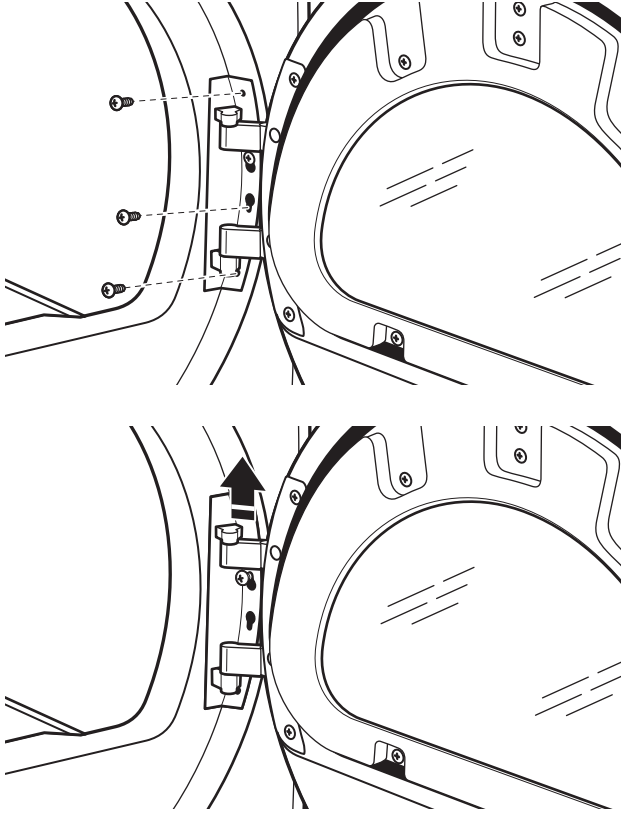
Failure to follow these instructions can result in death, fire, or electrical shock.

5. Plug into a grounded outlet, or connect power.
6. Check dryer operation. Close dryer door. Insert coins in slide and press slide in slowly. Select the Whites and Colors cycle and let the dryer run for at least five minutes.
NOTE: Dryer door must be closed for dryer to operate.
7. Open the dryer door. Check that the inside of the dryer is warm. If the burner does not ignite and you can feel no heat inside the dryer, shut off dryer for five minutes. Check that all supply valve controls are in “ON” position and that the electrical cord is plugged in. Repeat five-minute test.
8. If drying time is too long, make sure that the lint screen is clean and that there are no obstructions to airflow in the dryer vent system.
9. Restart the dryer and allow it to complete a full cycle to make sure it is working properly.

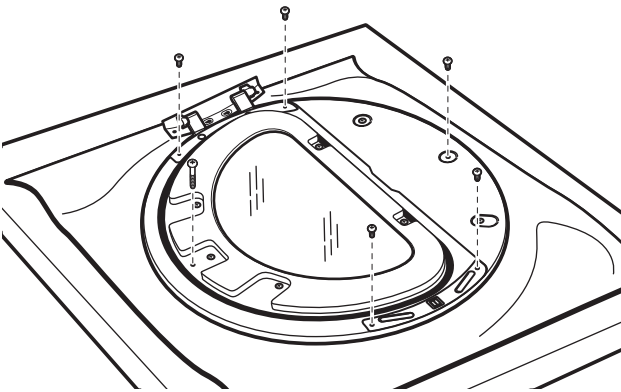
REVERSING DRYER DOOR SWING (OPTIONAL)

Remove the Door Assembly

1. Place a towel or soft cloth on top of dryer or work space to avoid scratching of the surface.
2. Remove 3 of the 4 screws that hold the door hinge on the front panel of the dryer. Partially loosen the remaining screw with keyhole opening and lift the door off the screw.

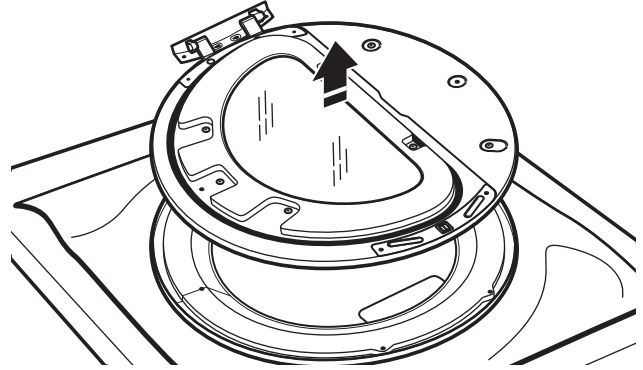


3. Lay the door assembly on a previously prepared flat surface with the inside (inner door assembly) facing up, and remove 6 phillips-head screws to release outer door assembly from inner door assembly.

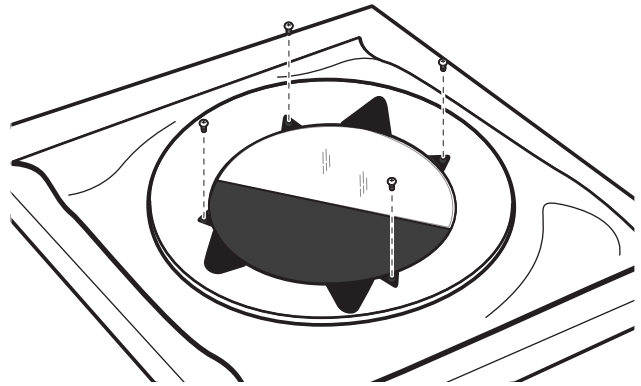


NOTE: It is important that you remove only the 6 indicated screws.

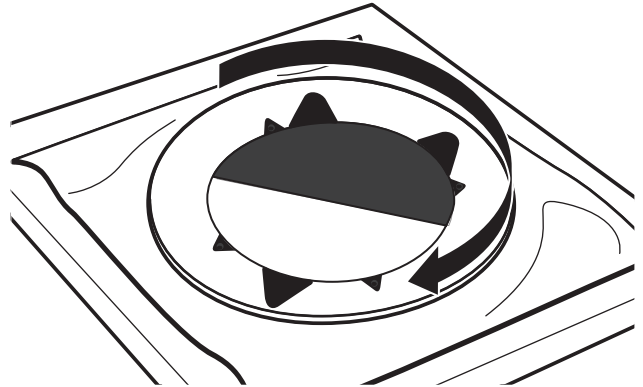
4. Lift the inner door assembly off outer door assembly.



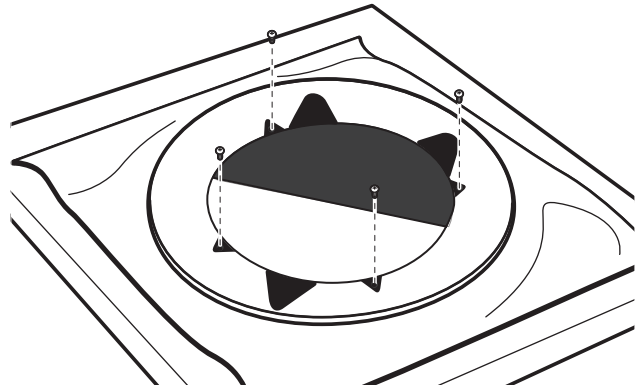
5. Remove 4 Phillips-head screws to release center insert from outer door ring.



6. Lift and rotate center insert 180 degrees.



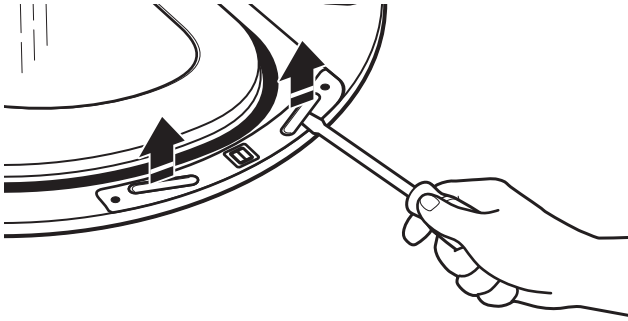
7. Reassemble the center insert and outer door ring with the 4 screws.



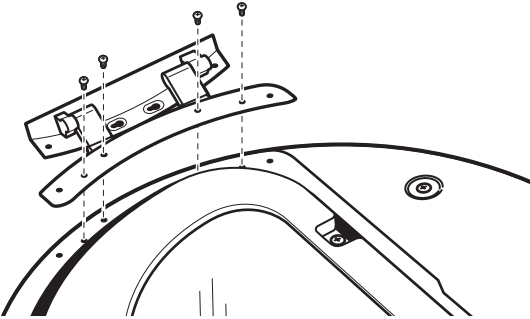
REVERSING DRYER DOOR SWING (OPTIONAL)

Reverse Hinge

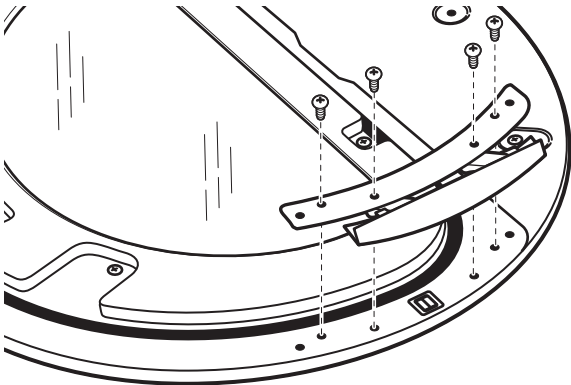
1. Use a small flat-blade screwdriver to remove 2 plug strips from the inner door. Slide the head of the screwdriver under the plugs, without scratching inner door surface, and lift up strip.



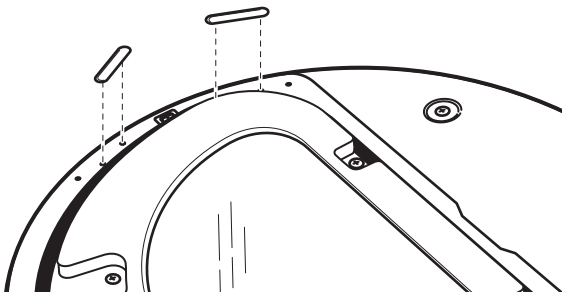
2. Remove the 4 screws that attach to inner door hinge.



3. Move hinge to other side. Reinstall 4 screws.



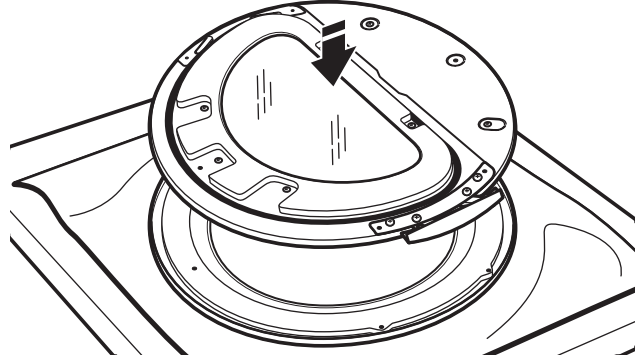
4. Reinstall plug strips on opposite side of the inner door.



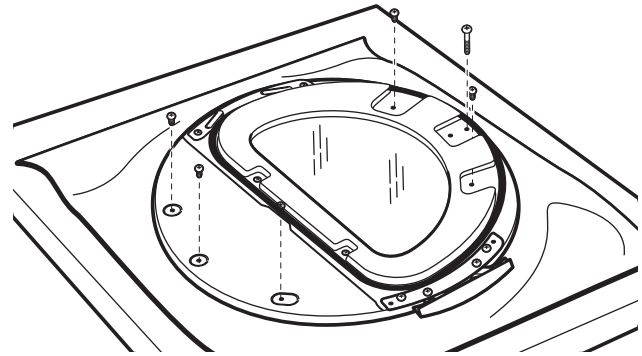
5. Check for fingerprints on the glass. Clean if necessary.

Replace the Door Assembly

1. Place the inner door assembly inside the outer door assembly.

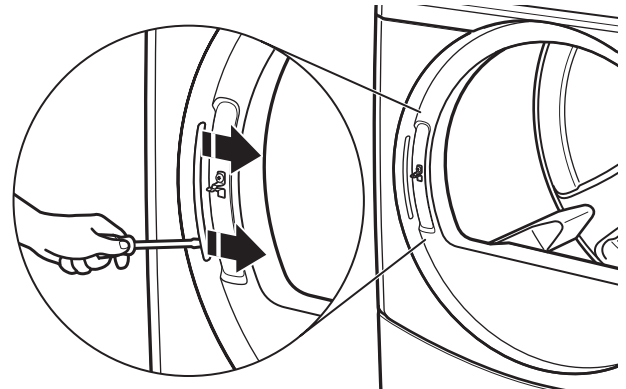


2. Reassemble the inner and outer door assemblies with the 6 screws.

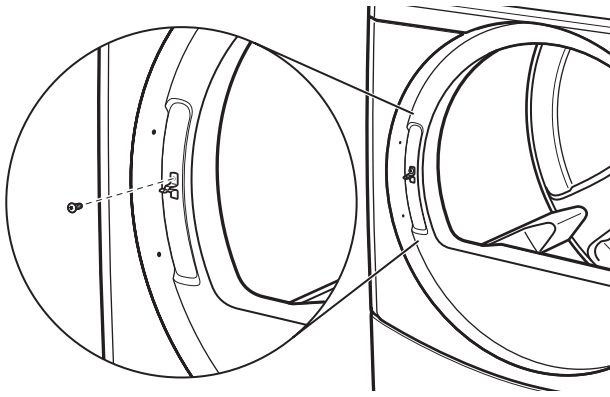


Reverse the strike

1. Use a small flat-blade screwdriver to remove plug strip from the dryer door opening. Slide the head of the screwdriver under the plugs, without scratching dryer surface, and lift up strip.



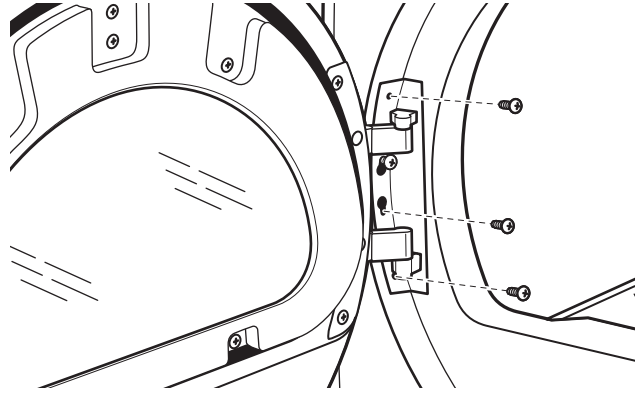
2. Remove the strike using a Phillips screwdriver.



3. Insert strike on the opposite side.

Reinstall the door

1. Partially insert the third screw from the top; then slide the hinge onto this screw while hooking the hinge into the front panel hole. Reattach door to dryer front panel with the remaining three screws.



2. Check for fingerprints on the glass. Clean if necessary.
3. Close door and check that it latches securely.

MAINTENANCE INSTRUCTIONS

- Clean lint screen before and after each cycle.
- Removing accumulated lint:
From inside the dryer cabinet:
Lint should be removed every 2 years or more often, depending on dryer usage. Cleaning should be done by a qualified person.
From the exhaust vent:
Lint should be removed every 2 years, or more often, depending on dryer usage.
- Keep area around dryer clear and free from combustible materials, gasoline, and other flammable vapors and liquids.
- Keep dryer area clear and free of items that would obstruct the flow of combustion and ventilation air.

If dryer does not operate, check the following:

- Electrical supply is connected.
- Circuit breaker is not tripped or house fuse is not blown.
- Door is closed. Listen closely to hear the door switch activate.
- Control is set up properly and display shows cycle time.
- Cycle selection button has been pushed firmly.
- For gas dryers, check that gas supply shut-off valves are set in open position.

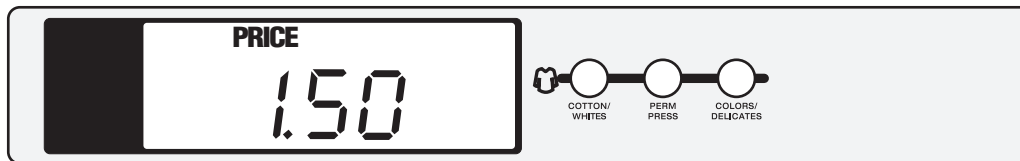
IF YOU NEED ASSISTANCE

If you need service, all warranty service is provided exclusively by our authorized Whirlpool Service Providers. In the U.S. and Canada, direct all requests for warranty service to: Whirlpool Customer Experience Center.

In the U.S.A. call **1-800-253-1301**. In Canada call **1-800-807-6777**.

If outside the 50 United States and Canada, contact your authorized Whirlpool dealer to determine if another warranty applies.

ELECTRONIC CONTROL SETUP INSTRUCTIONS



NOTE: After the dryer has been installed and plugged in, the display will show “0 MINUTES.” After the door has been opened and closed, the display will show the vend price.

General User Information

SCROLLING “OUT OF ORDER” MESSAGE, FOLLOWED BY A FAILURE OR DIAGNOSTIC CODE, SHOWING IN DISPLAY –

This condition indicates the dryer is inoperative.

“0 MINUTES” SHOWING IN DISPLAY – This indicates the dryer cannot be operated. Coins dropped or debit inputs during this condition will be stored in escrow but cannot be used until normal operation is restored by opening and closing the door. If a door switch has failed, causing “0 MINUTES” to remain in the display after the door is opened and closed, it must be replaced before normal operation can be restored.

COLD START (Initial first use) – Dryer is programmed at the factory as follows: \$1.50 dry price (30 minutes).

9160 model only: \$0 dry price (45 minutes)

WARM START (after power failure) – A few seconds after power is restored, if a cycle was in progress at the time of the power failure, “RESELECT CYCLE” will flash in the display, indicating the need for a fabric setting button to be pressed to restart dryer.

PRICING – After the door is opened and then closed following the completion of a cycle, the display indicates the cycle price (unless set for free operation, where the display will flash “SELECT CYCLE”). As coins are dropped or debit inputs arrive, the display will change to lead the user through the initiation of a cycle.

There are four (4) types of dryer pricing:

Fixed “Vend” Pricing

A dryer setup for “Fixed Cycle” operation can only accept additional time accumulated by increments equal to the length of a complete dry cycle. A maximum of 75 minutes may be purchased; no additional credit is given for coins dropped with 75 minutes in the display.

Accumulator Pricing

If option d is set to d. 00, and the 6 code is set to one coin 1, then accumulator pricing is in effect. Cycle time can be purchased one coin at a time up to the maximum time of 75 minutes.

Fixed Cycle With Top Off Pricing (available for use with coin drops or card readers only)

A dryer set to offer “Top Off” capability will allow time to be added to an existing dry cycle in increments equal to the number of minutes of dry time per quarter (coin 1), up to 75 minutes, regardless of the cost required to start the dryer. No credit is given for coins or debit inputs entered when the control is displaying 75 minutes.

FREE CYCLES – This is established by setting the cycle price to zero. When this happens, “SELECT CYCLE” will appear rather than a cycle price. Any cycle started as a free cycle will automatically terminate when the door is opened.

DEBIT CARD READY – This dryer is debit card ready. It will accept a variety of debit card systems, but does NOT come with a debit card reader. Refer to the debit card reader manufacturer for proper dryer setup. When a Generation 2 card reader is installed, the dryer is placed in enhanced debit mode.

In Enhanced Debit Mode, the top off price can be set independently (see VALUE OF COIN 2), and the top off time is calculated according to the following equation:

$$\frac{\text{top off price}}{\text{full cycle price}} = \frac{\text{top off time}}{\text{full cycle length}}$$

In models converted to a Generation 1 debit card system, debit pulses represent the equivalent of one coin (coin 1).

NOTE: Enhanced debit mode cannot be deselected.

Control Set-up Procedures

IMPORTANT: Read all instructions before operating.

The fabric setting buttons along with the digital display are used to set up the dryer controls.

The display can contain 4 numbers and/or letters and a decimal point. These are used to indicate the set-up codes and related code values available for use in programming the dryer.

ELECTRONIC CONTROL SETUP INSTRUCTIONS

How to Use the Buttons to Program the Controls

1. The COTTON/WHITES button is used to adjust the values associated with set-up codes. Pressing the button will change the value by increments. Rapid adjustment is possible by holding down the button.
2. The PERM PRESS button will advance through the set-up codes. Pressing this button will advance to the next available set-up code. Holding down the button will automatically advance through the set-up codes at a rate faster than 1 per second.
3. The COLORS/DELICATES button is used to select or deselect options.

Start Operating Setup

Insert service access door key, turn, and lift to remove service access door.

Dryers with Card Reader Installed:

Once the debit card reader is installed (according to the reader manufacturer's instructions), the set-up mode can be entered by inserting a manual set-up card (supplied by the reader manufacturer) into the card slot. If manual set-up card is not available, only the diagnostic mode can be entered by removing the service access door.

IMPORTANT: To access set-up mode or diagnostic mode, use a service key (9050 models) to open the service access door. If a card reader is installed, a service card is available for accessing diagnostics. If a service key is not available (9060 models), the AA1 connector must be removed or the Service Access Code described below must be used. The console must not be opened unless power is first disconnected from the dryer. To access connector AA1:

1. Unplug dryer or disconnect power.
2. Open console, remove plug on AA1, and close console.
3. Plug in dryer or reconnect power.

The dryer is now in the set-up mode.

To enter the alternative Service Access Code and enter set-up mode: Press the Left Button, Right Button, Left Button, Right Button, and Right Button.

NOTE: It is not necessary to set up the dryer with the following codes; the dryer is pre-set at the factory. These codes can be used to change settings, if desired.

Set-Up Codes

- The PERM PRESS button will advance from code to code.
- The COTTON/WHITES button will change the code value.
- The COLORS/DELICATES button will select or deselect options.

The set-up code is indicated by the one or two left-hand characters. The set-up code value is indicated by the two or three right-hand characters.

NOTE: The first line of each code indicates the factory default.

Code	Explanation
6.06 REGULAR CYCLE PRICE	
6.06	When the d.xx is set to d.00, this 6.xx value represents the number of coins (coin 1) needed to start the dryer; may adjust from 0–39. Change this value by pressing the COTTON/WHITES button. 6.06 = 6 coins = \$1.50. (9160 models default to 6.00.)
6.01	When the d.xx is set to d.CS, this 6.xx value represents the number of push-in actuations of the coin slide to start the dryer. 6.01 would equal one coin slide activation. <ul style="list-style-type: none"> • Press the PERM PRESS button once to advance to next code.
7.05 REGULAR DRY TIME	
7.05	When set to Coin Drop or Card Reader operation, the dry time equals the Regular Dry Time value multiplied by the Regular Cycle Price value. Example: 6.06 and 7.05 = (06 x 05 = 30 minutes).
7.45	For coinslide or OPL operation, the value is the amount of minutes of dry time. Factory default of 45 minutes. Pressing COTTON/WHITES adjusts the value from 1–75 minutes. <ul style="list-style-type: none"> • Press the PERM PRESS button once to advance to next code.
8.00 TYPE OF DRYER PRICING	
8.00	Fixed Cycle with Top Off. Only available for use with coin drops or card readers. For detailed description, see “General User Information.”
8.FC	Fixed Cycle. For detailed description, see General User Information. Use COLORS/DELICATES button to make this selection. <ul style="list-style-type: none"> • Press the PERM PRESS button once to advance to next code.
9.00 CYCLE COUNTER OPTION	
This option is either NOT SELECTED “OFF” or SELECTED “ON.”	
9.00	Not Selected “OFF.”
9.0C	Selected “ON” and not able to be deselected. <ul style="list-style-type: none"> • Press the COLORS/DELICATES button 3 consecutive times to select “ON.” Once selected “ON” it cannot be deselected. • Press the PERM PRESS button once to advance to next code.
1.00 MONEY COUNTER OPTION	
This option is either NOT SELECTED “OFF” or SELECTED “ON.”	
1.00	Not Selected “OFF.”
1.0C	Selected “ON.” <ul style="list-style-type: none"> • Press the COLORS/DELICATES button 3 consecutive times to select “ON” and 3 consecutive times to deselect (Not Selected “OFF”). Counter resets by going from “OFF” to “ON.”
1.C0	Selected “ON” and not able to be deselected. <ul style="list-style-type: none"> • To select “ON” and not able to be deselected, first select “ON;” then within 2 seconds press the COLORS/DELICATES button twice, the COTTON/WHITES button once, and exit set-up mode. • Press the PERM PRESS button once to advance to next code.

ELECTRONIC CONTROL SETUP INSTRUCTIONS

Code	Explanation
2. 00	SPECIAL PRICING OPTIONS This option is either SELECTED 'ON' or NOT SELECTED 'OFF'.
2. 00	Not Selected 'OFF'.
2. SP	Selected 'ON'. Press the COLORS/DELICATES button once for this selection. If SPECIAL PRICING OPTION is selected, there is access to codes '3.' thru '9.' <ul style="list-style-type: none"> • Press the PERM PRESS button once to advance to next code.
OPTIONS TO USE IF SPECIAL PRICING IS SELECTED:	
3. 06	SPECIAL CYCLE PRICE
3. 06	Represents the number of quarters (coin 1) needed to start the dryer; may adjust from 0–39. (See b.xx setup for VALUE OF COIN 1). Advance from 0–39 by pressing the COTTON/WHITES button. Factory default of 6 quarters = \$1.50.
3. 00	Model 9160: Factory default of 0 quarters. <ul style="list-style-type: none"> • Press the PERM PRESS button once to advance to next code.
4. 05	SPECIAL DRY TIME
4. 05	Model 9150: Represents the number of minutes per quarter (coin 1). Factory default of 5 minutes per coin. Example: 6 quarters x 5 minutes = 30 minutes. By pressing the COTTON/WHITES button, the value can be adjusted from 1–75 minutes.
4. 45	Model 9160: Represents the fixed cycle time in minutes. As example: '4.45' = 45 minutes. <ul style="list-style-type: none"> • Press the PERM PRESS button once to advance to next code.
5. 00	TIME-OF-DAY CLOCK, MINUTES
5. 00	This is the TIME-OF-DAY CLOCK, minute setting; select 0–59 minutes by pressing the COTTON/WHITES button. <ul style="list-style-type: none"> • Press the PERM PRESS button once to advance to next code.
6. 00	TIME-OF-DAY CLOCK, HOURS NOTE: Uses military time – 24 hr. clock.
6. 00	This is the TIME-OF-DAY CLOCK, hour setting; select 0–23 hours by pressing the COTTON/WHITES button. <ul style="list-style-type: none"> • Press the PERM PRESS button once to advance to next code.
7. 00	SPECIAL PRICE START HOUR NOTE: Uses military time – 24 hr. clock.
7. 00	This is the start hour; select 0–23 hours. Select START HOUR by pressing the COTTON/WHITES button. <ul style="list-style-type: none"> • Press the PERM PRESS button once to advance to next code.

Code	Explanation																								
8. 00	SPECIAL PRICE STOP HOUR NOTE: Uses military time – 24 hr. clock.																								
8. 00	This is the stop hour; select 0–23 hours. Select STOP HOUR by pressing the COTTON/WHITES button. <ul style="list-style-type: none"> • Press the PERM PRESS button once to advance to next code. 																								
9. 10	SPECIAL PRICE DAY																								
9. 10	This represents the day of the week and whether special pricing is selected for that day. A number followed by '0' indicates no selection for that particular day (9.10). A number followed by an 'S' indicates selected for that day (9.1S). Day of week (1–7) can be chosen by pressing the COTTON/WHITES button. Press the COLORS/DELICATES button once to select special pricing for each day chosen. When exiting set-up code '9.', the display must show current day of week: <table border="1" style="margin-left: 20px; margin-top: 10px;"> <thead> <tr> <th>DISPLAY</th> <th>DAY OF WEEK</th> <th>CODE (selected)</th> </tr> </thead> <tbody> <tr> <td>10</td> <td>Day 1 = Sunday</td> <td>1S</td> </tr> <tr> <td>20</td> <td>Day 2 = Monday</td> <td>2S</td> </tr> <tr> <td>30</td> <td>Day 3 = Tuesday</td> <td>3S</td> </tr> <tr> <td>40</td> <td>Day 4 = Wednesday</td> <td>4S</td> </tr> <tr> <td>50</td> <td>Day 5 = Thursday</td> <td>5S</td> </tr> <tr> <td>60</td> <td>Day 6 = Friday</td> <td>6S</td> </tr> <tr> <td>70</td> <td>Day 7 = Saturday</td> <td>7S</td> </tr> </tbody> </table> <ul style="list-style-type: none"> • Press the PERM PRESS button once to advance to next code. 	DISPLAY	DAY OF WEEK	CODE (selected)	10	Day 1 = Sunday	1S	20	Day 2 = Monday	2S	30	Day 3 = Tuesday	3S	40	Day 4 = Wednesday	4S	50	Day 5 = Thursday	5S	60	Day 6 = Friday	6S	70	Day 7 = Saturday	7S
DISPLAY	DAY OF WEEK	CODE (selected)																							
10	Day 1 = Sunday	1S																							
20	Day 2 = Monday	2S																							
30	Day 3 = Tuesday	3S																							
40	Day 4 = Wednesday	4S																							
50	Day 5 = Thursday	5S																							
60	Day 6 = Friday	6S																							
70	Day 7 = Saturday	7S																							
A. 00	VAULT VIEWING OPTION This option is either SELECTED 'ON' or NOT SELECTED 'OFF'.																								
A. 00	Not Selected 'OFF'.																								
A. SC	Selected 'ON'. Press the COLORS/DELICATES button once for this selection. When selected, the money and/or cycle counts will be viewable (if counting is selected) when the coin box is removed. <ul style="list-style-type: none"> • Press the PERM PRESS button once to advance to next code. 																								
b. 05	VALUE OF COIN 1																								
b. 05	This represents the value of coin 1 in number of nickels: 05 = \$0.25 (default for 9150 and 9160 models). <ul style="list-style-type: none"> • By pressing the COTTON/WHITES button, there is an option of 1–199 nickels. • Press the PERM PRESS button once to advance to next code. 																								
b. 30	With coin slide activation, this represents the total vend price in nickels. Example: b.30 is equal to \$1.50.																								

ELECTRONIC CONTROL SETUP INSTRUCTIONS

Code	Explanation
C. 20	VALUE OF COIN 2
C. 20	This represents the value of coin 2 in number of nickels: 20 = \$1.00. <ul style="list-style-type: none"> By pressing the COTTON/WHITES button, there is an option of 1–199 nickels.
C. 05	When a Gen 2 card reader is used, this code represents the value of top off in nickels. C.05 = \$0.25. <ul style="list-style-type: none"> Press the PERM PRESS button once to advance to next code.
d. 00	COIN SLIDE OPTION This option is either Selected “ON” or Not Selected “OFF.” Replacement of meter case will be needed for coin slide mounting.
d. 00	Not Selected ‘OFF’.
d. CS	Selected ‘ON’. NOTE: This option needs to be set to ‘00’ unless the meter case has been changed to accept a coin slide device. Press the COLORS/DELICATES button 3 consecutive times for this selection. When coin slide mode is selected, set ‘b.’ equal to value of vend price in nickels. Set ‘6 XX’ (REGULAR CYCLE PRICE) and ‘3.XX’ (SPECIAL CYCLE PRICE) to number of slide operations. NOTE: If the installer sets up ‘CS’ on a coin drop model, the dryer will not register coins inserted. <ul style="list-style-type: none"> Press the PERM PRESS button once to advance to next code.
E. 00	ADD COINS OPTION This option is either Selected ‘ON’ or Not Selected ‘OFF’. This option causes the customer display to show the number of coins (coin 1) to enter, rather than the dollars-and-cents amount.
E. 00	Not Selected ‘OFF’.
E. AC	Selected ‘ON’. Press the COLORS/DELICATES button 3 consecutive times for this selection. 9160 MODELS ONLY: In enhanced debit mode, this option is not selectable. <ul style="list-style-type: none"> Press the PERM PRESS button once to advance to next code.
J. Cd	PAYMENT MODE (COIN/DEBIT OPTION)
J. Cd	Both coin and debit selected. Press the COLORS/DELICATES button 3 consecutive times to change this selection.
J. C_	Coins selected, debit disabled. Press the COLORS/DELICATES button 3 consecutive times to change this selection.
J. _d	Debit Card selected, coin disabled (default for 9160 models). This selection must be used for free vend. Press the COLORS/DELICATES button 3 consecutive times to change this selection.
J. Ed	Enhanced Debit is self-selected when a Generation 2 card reader is installed in the dryer. The “Ed” option cannot be manually selected or deselected. <ul style="list-style-type: none"> Press the PERM PRESS button once to advance to next code.

Code	Explanation
L. 00	PRICE SUPPRESSION OPTION This option is either Selected ‘ON’ or Not Selected ‘OFF’. This option causes the customer display to show ‘AVAILABLE’ or ‘ADD’ rather than the amount of money to add. (Used mainly in debit installations.)
L. 00	Not Selected ‘OFF’.
L. PS	Selected ‘ON’. Press the COLORS/DELICATES button once for this selection. <ul style="list-style-type: none"> Press the PERM PRESS button once to advance to next code.
n. CE	CLEAR ESCROW OPTION This option is either Selected “ON” or Not Selected “OFF.” When selected, money held in escrow for 30 minutes without further escrow or cycle activity will be cleared.
n. 00	Not Selected “OFF.”
n. CE	Selected “ON.” <ul style="list-style-type: none"> Press the COLORS/DELICATES button once to change this selection. Press the PERM PRESS button once to advance to next code.
U. 00	PENNY INCREMENT OFFSET
U. 00	This represents the penny increment price offset used in Generation 2 (Enhanced Debit) 9160 models. Choose from 0–4 pennies by pressing the COTTON/WHITES button. <ul style="list-style-type: none"> Press the PERM PRESS button once to advance to next code.

If cycle counter (9 0C) is selected, the following is true:

1 00	Cycles in HUNDREDS	1 <u>02</u> = 200
2 00	Cycles in ONES	2 <u>25</u> = 25
		TOTAL CYCLES = 225

This is “VIEW ONLY” and cannot be cleared.

- Press the PERM PRESS button once to advance to next code.

If money counter (1.0C or 1.C0) is selected, the following is true:

3 00	Dollars in HUNDREDS	3 <u>01</u> = \$100.00
4 00	Dollars in ONES	4 <u>68</u> = \$ 68.00
5 00	Number of CENTS	5 <u>75</u> = \$ 00.75
		TOTAL = \$168.75

END of SET-UP PROCEDURES

TO EXIT FROM SET-UP MODE

- Close the service access door.
- Disconnect dryer from power before reinstalling the AA1 connector, if it was removed.
- Remove the manual set-up card.
- Wait two minutes without activating any dryer inputs.
- Disconnect and then reconnect power.

ELECTRONIC CONTROL SETUP INSTRUCTIONS

Diagnostic Codes

If the set-up mode is entered and one of the following has previously occurred, the appropriate diagnostic code will be in the display.

Dryer Display	Explanation
d 5	Blocked coin 1 or coin drop UI control circuit failure (coin recognition and customer display disabled while blockage persists).
d 9	Voltage detected below 90 VAC for 8 seconds.
d 13	Blocked coin 2 or coin drop UI control circuit failure (coin recognition and customer display disabled while blockage persists).
d 16	Not receiving communications from installed debit card reader in Enhanced (Generation 2) Debit mode.
F 01	Dryer motor control circuit error (cycles and price display disabled until diagnostic code is manually cleared). The control doesn't know if the motor relay is bad (stuck on), the motor relay drive circuit is bad (shorted), causing the motor relay to stay on, or the motor relay feedback circuit is bad.
F 22	Exhaust thermistor open, temperature drops below 18°F (>50 kΩ) for 1 minute in Run mode, or immediately in Factory Diagnostic Mode.
F 23	Exhaust thermistor shorted, temperature above 250°F (<500Ω) for 1 minute in Run mode, or immediately in Factory Diagnostic Mode.
F 70	UI is not receiving communications from CCU (cycles and price display disabled while error persists or is manually cleared).
F 71	CCU is not receiving communications from UI (cycles and price display disabled while error persists or is manually cleared).
F 73	UI Microprocessor is not able to read or verify EEPROM (cycles and price display disabled until diagnostic code is manually cleared).
F 74	UI EEPROM memory is a CRC failure (cycles and price display disabled until diagnostic code is manually cleared).

Dryer Diagnostic Mode

This mode is entered by pressing COLORS/DELICATES for one second while in either of the set-up codes 6.xx or 7.xx or with a diagnostic code present. Diagnostic codes are cleared on entry and all display segments should flash. If a diagnostic code persists, it must be corrected before the diagnostic cycle can be entered.

All Models:

With all segments flashing, the diagnostic cycle is started by pressing the PERM PRESS button. The cycle consists of 7 minutes of heat and 1 minute of cooldown.

The COTTON/WHITES button will increment the diagnostic cycle minutes up to 75, then roll over to 2 minutes. The COLORS/DELICATES button will cancel this cycle and exit the diagnostic mode.

Dryer Help Mode

Dryer help mode is entered by pressing the COTTON/WHITES button while in special pricing option 2.XX. In help mode, the software revision is displayed. The help mode is advanced by pressing the PERM PRESS button. See Help Mode Submenu below for the order in which items are displayed. Press the COTTON/WHITES button at any time to exit help mode.

Help Codes

Help Code	Description
71	Generation 2 debit card cycle polling message out of sequence.
74	Generation 2 debit card remaining balance message out of sequence.
75	Generation 2 debit card new card balance message out of sequence.
88	Invalid messaging state found in data acquisition communications comm_suprv () routine.

ELECTRONIC CONTROL SETUP INSTRUCTIONS

Help Mode Submenu

Step	Display Indication	Explanation
1	1h.XX	Help Code 1, where XX is the help code number. *
2	2h.XX	Help Code 2, where XX is the help code number. *
3	3h.XX	Help Code 3, where XX is the help code number. *
4	1.X##	Error history code 1, where X is the F or d code, and ## is the code number. **
5	2.X##	Error history code 2, where X is the F or d code, and ## is the code number. **
6	3.X##	Error history code 3, where X is the F or d code, and ## is the code number. **
7	4.X##	Error history code 4, where X is the F or d code, and ## is the code number. **
8	SC.XX	CCU software revision, where XX is the software revision number.
9	SU.XX	UI software revision, where XX is the software number.
10	EU.XX	UI EEPROM revision, where XX is the EEPROM number.

* To erase the 3 help codes, press COLORS/DELICATES button.

** The Errors displayed in this section are the history errors that have occurred in the dryer (not necessarily an error that is in progress). The current error is displayed in the MANUAL KEY FUNCTION IN DIAGNOSTIC SUB-MODE.

In help mode, other display symbols and elements are mapped to reflect the state of various inputs and outputs as follows:

All Dryers

*.....low voltage present (below about 90 VAC)
 °(circle above digit)..... door closed
 OR..... motor sensed running
 AIR..... heater/gas valve relay on
 FLUFF..... motor relay on

WHIRLPOOL® COMMERCIAL LAUNDRY LIMITED WARRANTY

IF YOU NEED SERVICE:

Contact your authorized Whirlpool® Commercial Laundry distributor. To locate your authorized Whirlpool® Commercial Laundry distributor, call: **1-800-662-3587, or for web inquiries, visit www.whirlpoolcommerciallaundry.com.**

For written correspondence:

**Whirlpool® Commercial Laundry Service Department
2000 N M 63
Benton Harbor, Michigan 49022-2632 USA**

90 DAY LIMITED WARRANTY

WHAT IS COVERED

90 DAY LIMITED WARRANTY (PARTS AND LABOR)

For 90 days from the original date of purchase, when this commercial appliance is installed, maintained, and operated according to the instructions attached to or furnished with the product, Whirlpool Corporation (hereafter "Whirlpool") will pay for factory specified replacement parts and repair labor to correct defects in materials or workmanship that existed when this commercial appliance was purchased.

TWO YEAR LIMITED WARRANTY (PARTS ONLY)

For the first two years from the original date of purchase, when this commercial appliance is installed, maintained, and operated according to the instructions attached to or furnished with the product, Whirlpool will pay for factory specified replacement parts to correct defects in materials or workmanship that existed when this commercial appliance was purchased.

YOUR SOLE AND EXCLUSIVE REMEDY UNDER THIS LIMITED WARRANTY SHALL BE PRODUCT REPAIR AS PROVIDED HEREIN. Whirlpool recommends that you use an "in network" service provider to diagnose and repair your Commercial Laundry product. Whirlpool will not be responsible under this warranty to provide additional replacement parts as a result of incorrect diagnosis or repair by an "out of network" service company. This limited warranty is valid in the United States or Canada and applies only when the commercial appliance is used in the country in which it was purchased. This limited warranty is effective from the date of the original consumer purchase. Proof of original purchase date is required to obtain service under this limited warranty.

WHAT IS NOT COVERED

1. All other costs including labor, transportation, shipping, or custom duties for covered parts.
2. Factory specified replacement parts if this commercial appliance is used for other than normal, commercial use or when it is used in a manner that is inconsistent to published user or operator instructions and/or installation instructions.
3. Service calls to correct the installation of your commercial appliance, to instruct you on how to use your commercial appliance, to replace or repair house fuses, or to correct external wiring or plumbing.
4. Service calls to repair or replace appliance light bulbs, air filters, or water filters. Consumable parts are excluded from warranty coverage.
5. Damage resulting from improper handling of product during delivery, theft, accident, alteration, misuse, abuse, fire, flood, acts of God, improper installation, installation not in accordance with local electrical or plumbing codes, or use of products not approved by Whirlpool.
6. Pick up and delivery. This commercial appliance is designed to be repaired on location.
7. Repairs to parts or systems resulting from unauthorized modifications made to the commercial appliance.
8. The removal and reinstallation of your commercial appliance if it is installed in an inaccessible location or is not installed in accordance with published installation instructions.
9. Damage resulting from exposure to chemicals.
10. Changes to the building, room, or location needed in order to make the commercial appliance operate correctly.
11. Factory specified replacement parts on commercial appliances with original model/serial numbers that have been removed, altered, or cannot be easily determined.
12. Discoloration, rust, or oxidation of stainless steel surfaces.
13. Factory specified replacement parts as a result of incorrect diagnosis or repair by an "out of network" service company.

The cost of repair or replacement under these excluded circumstances shall be borne by the customer.

DISCLAIMER OF IMPLIED WARRANTIES

IMPLIED WARRANTIES, INCLUDING ANY IMPLIED WARRANTY OF MERCHANTABILITY OR IMPLIED WARRANTY OF FITNESS FOR A PARTICULAR PURPOSE, ARE LIMITED TO TWO YEARS OR THE SHORTEST PERIOD ALLOWED BY LAW. Some states and provinces do not allow limitations on the duration of implied warranties of merchantability or fitness, so this limitation may not apply to you. This warranty gives you specific legal rights, and you also may have other rights that vary from state to state or province to province.

DISCLAIMER OF REPRESENTATIONS OUTSIDE OF WARRANTY

Whirlpool makes no representations about the quality, durability, or need for service or repair of this major appliance other than the representations contained in this Warranty. If you want a longer or more comprehensive warranty than the limited warranty that comes with this major appliance, you should ask Whirlpool or your retailer about buying an extended warranty.

LIMITATION OF REMEDIES; EXCLUSION OF INCIDENTAL AND CONSEQUENTIAL DAMAGES

YOUR SOLE AND EXCLUSIVE REMEDY UNDER THIS LIMITED WARRANTY SHALL BE PRODUCT REPAIR AS PROVIDED HEREIN. WHIRLPOOL SHALL NOT BE LIABLE FOR INCIDENTAL OR CONSEQUENTIAL DAMAGES. Some states and provinces do not allow the exclusion or limitation of incidental or consequential damages, so these limitations and exclusions may not apply to you. This warranty gives you specific legal rights, and you also may have other rights that vary from state to state or province to province.

SÉCURITÉ DE LA SÈCHEUSE

Votre sécurité et celle des autres est très importante.

Nous donnons de nombreux messages de sécurité importants dans ce manuel et sur votre appareil ménager. Assurez-vous de toujours lire tous les messages de sécurité et de vous y conformer.



Voici le symbole d'alerte de sécurité.

Ce symbole d'alerte de sécurité vous signale les dangers potentiels de décès et de blessures graves à vous et à d'autres.

Tous les messages de sécurité suivront le symbole d'alerte de sécurité et le mot "DANGER" ou "AVERTISSEMENT". Ces mots signifient :

⚠ DANGER

Risque possible de décès ou de blessure grave si vous ne suivez pas immédiatement les instructions.

⚠ AVERTISSEMENT

Risque possible de décès ou de blessure grave si vous ne suivez pas les instructions.

Tous les messages de sécurité vous diront quel est le danger potentiel et vous disent comment réduire le risque de blessure et ce qui peut se produire en cas de non-respect des instructions.

- On recommande que le propriétaire place les instructions à l'usage du client en un lieu bien visible, au cas où le client percevrait une odeur de gaz. Ces renseignements doivent être obtenus auprès de votre fournisseur en gaz.
- Placer l'avertissement qui suit à un endroit bien visible.

POUR VOTRE SÉCURITÉ

Ne pas remiser ou utiliser de l'essence ou tout autre liquide ou vapeur inflammable à proximité de cet appareil ou de tout autre appareil.

⚠ AVERTISSEMENT :

RISQUE D'INCENDIE OU D'EXPLOSION

Le non-respect des avertissements de sécurité peut causer des dommages à la propriété, des blessures graves, voire la mort.

- **Ne pas entreposer ou utiliser de l'essence ou d'autres vapeurs ou liquides inflammables à proximité de cet appareil ou de tout autre appareil électroménager.**
- **QUE FAIRE DANS LE CAS D'UNE ODEUR DE GAZ :**
 - **Ne pas tenter d'allumer un appareil.**
 - **Ne pas toucher à un commutateur électrique; ne pas utiliser le téléphone se trouvant sur les lieux.**
 - **Évacuer tous les gens de la pièce, de l'édifice ou du quartier.**
 - **Appeler immédiatement le fournisseur de gaz d'un téléphone voisin. Suivre ses instructions.**
 - **À défaut de joindre votre fournisseur de gaz, appeler les pompiers.**
- **L'installation et l'entretien doivent être effectués par un installateur qualifié, une agence de service ou le fournisseur de gaz.**

AVERTISSEMENT : L'odorat ne permet pas toujours la détection d'une fuite de gaz.

Les distributeurs de gaz recommandent l'emploi d'un détecteur de gaz (homologation UL ou CSA).

Pour d'autres informations, contacter le fournisseur de gaz local.

En cas de détection d'une fuite de gaz, exécuter les instructions "Que faire dans le cas d'une odeur de gaz".



AVERTISSEMENT - "Risque d'incendie"

- L'installation de la sècheuse à linge doit être effectuée par un installateur qualifié.
- Installer la sècheuse conformément aux instructions du fabricant et aux codes locaux.
- Ne pas installer de sècheuse à linge avec des matériaux d'évacuation en plastique souple ou un conduit métallique souple (de type papier d'aluminium). Si un conduit métallique souple est installé, celui-ci doit être d'un type spécifique identifié par le fabricant de l'appareil et convenir à une utilisation avec les sècheuses à linge. Les matériaux d'évacuation souples sont connus pour s'affaisser, être facilement écrasés et bloquer la charpie. Ces situations obstrueront le débit d'air de la sècheuse à linge et augmenteront le risque d'incendie.
- Pour réduire le risque de blessure grave ou de décès, suivre toutes les instructions d'installation.
- Conserver ces instructions.

Dans l'État du Massachusetts, les instructions d'installation suivantes sont applicables :

- Les travaux d'installation et réparation doivent être exécutés par un plombier ou tuyauteur qualifié ou licencié, ou par le personnel qualifié d'une entreprise licenciée par l'État du Massachusetts.
- Remplacer par des dispositifs de fermeture acceptables : Les robinets de gaz et robinets à bille installés pour l'utilisation devraient être indiqués.
- Si un conduit de raccordement flexible est utilisé, sa longueur ne doit pas dépasser 4 pi (121,9 cm).

SÉCURITÉ DE LA SÈCHEUSE

IMPORTANTES INSTRUCTIONS DE SÉCURITÉ

AVERTISSEMENT : Pour réduire le risque d'incendie, de choc électrique ou de blessure lors de l'utilisation de la sècheuse, il convient d'observer certaines précautions élémentaires dont les suivantes :

- Lire toutes les instructions avant d'utiliser la sècheuse.
- Ne pas placer des articles exposés aux huiles de cuisson dans votre sècheuse. Les articles contaminés par des huiles de cuisson peuvent contribuer à une réaction chimique qui pourrait causer à la charge de s'enflammer. Pour réduire le risque d'incendie dû à des charges contaminées, la partie finale du programme de séchage par culbutage a lieu sans chaleur (période de refroidissement). Éviter d'arrêter une sècheuse en phase de culbutage avant la fin du programme de séchage, à moins de retirer et d'étendre rapidement tous les articles afin que la chaleur se dissipe.
- Ne pas faire sécher dans la machine des articles qui ont déjà été nettoyés, lavés, imbibés, ou tachés d'essence, de solvants pour nettoyage à sec, d'autres substances inflammables, ou de substances explosives puisqu'elles dégagent des vapeurs qui peuvent provoquer un incendie ou une explosion.
- Ne pas permettre à des enfants de jouer sur ou à l'intérieur de la sècheuse. Une surveillance étroite est nécessaire lorsque la sècheuse est utilisée près d'eux.
- Avant d'enlever la sècheuse du service ou la jeter, enlever la porte du compartiment de séchage.
- Ne pas mettre la main dans la sècheuse si le tambour est en mouvement.
- Ne pas installer ni entreposer la sècheuse où elle sera exposée aux intempéries.
- Ne pas jouer avec les commandes.
- Ne pas réparer ni remplacer une pièce de la sècheuse ou essayer d'en faire l'entretien à moins d'une recommandation spécifique dans le guide d'utilisation et d'entretien, ou publiée dans les instructions de réparation par l'utilisateur que vous comprenez et pouvez exécuter avec compétence.
- Ne pas utiliser un produit assouplissant de tissu ou des produits pour éliminer la statique à moins qu'ils ne soient recommandés par le fabricant du produit assouplissant de tissu ou du produit.
- Ne pas utiliser la chaleur pour faire sécher des articles fabriqués avec du caoutchouc mousse ou des matériaux semblables.
- Nettoyer le filtre à charpie avant et après chaque charge.
- Ne pas laisser la charpie, la poussière, ou la saleté s'accumuler autour du système d'évacuation ou autour de l'appareil.
- Un nettoyage périodique de l'intérieur de la sècheuse et du conduit d'évacuation doit être effectué par une personne qualifiée.
- Pour les instructions de liaison à la terre, voir "Spécifications électriques" dans les instructions d'installation.

CONSERVEZ CES INSTRUCTIONS

IMPORTANT : L'installation au gaz doit être conforme aux codes locaux, ou en l'absence de codes locaux, au Code National d'alimentation au gaz, à la norme ANSI Z223.1/NFPA 54 ou au Code des installations au gaz naturel et au propane, CSA-B149.1.

La sècheuse doit être correctement reliée à la terre en conformité avec les codes locaux en vigueur, ou en l'absence de tels codes, avec le National Electrical Code, ANSI/NFPA 70 ou le Code canadien des installations électriques, CSA C22.1 partie 1.

AVERTISSEMENT

Risque d'incendie

Le non-respect de cet avertissement peut causer des blessures graves, des dommages à la propriété ou le décès.

Ne pas installer de ventilateur d'appoint dans le conduit d'évacuation.

Installer toutes les sècheuses en respectant les instructions d'installation du fabricant de la sècheuse.

IMPORTANTES INSTRUCTIONS DE SÉCURITÉ

Avant de jeter ou de ranger votre vieille sècheuse, enlever la porte.

CONSERVEZ CES INSTRUCTIONS

Outils et pièces

Outils requis :



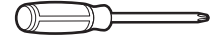
Clé à tube de 8 po ou 10 po



Clé à molette de 8 po et 10 po qui ouvre de 1 po



Tournevis à lame plate



Tournevis cruciforme



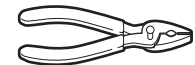
Tournevis ou embout de sécurité torx T-20†



Clé à douille hexagonale de 1 po



Clé à douille de 1/4 po



Pinces (qui ouvre de 1 9/16 po)



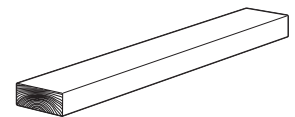
Niveau



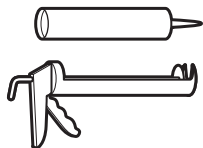
Couteau utilitaire



Tourne-écrou de 1/4 po



Cale de bois de 27 po



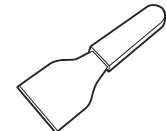
Pistolet à calfeutrage et composé de calfeutrage (pour l'installation d'un nouveau conduit d'évacuation)



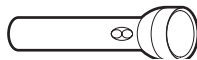
Brides de conduit



Composé d'étanchéité des tuyauteries résistant au type de gaz utilisé



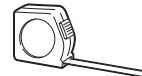
Couteau à mastic



Lampe de poche (facultative)



Clés à fourche de 1 po

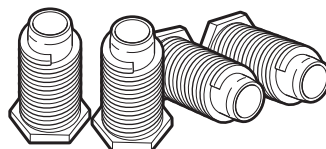


Règle ou ruban à mesurer

Pièces fournies :



Patins (4)



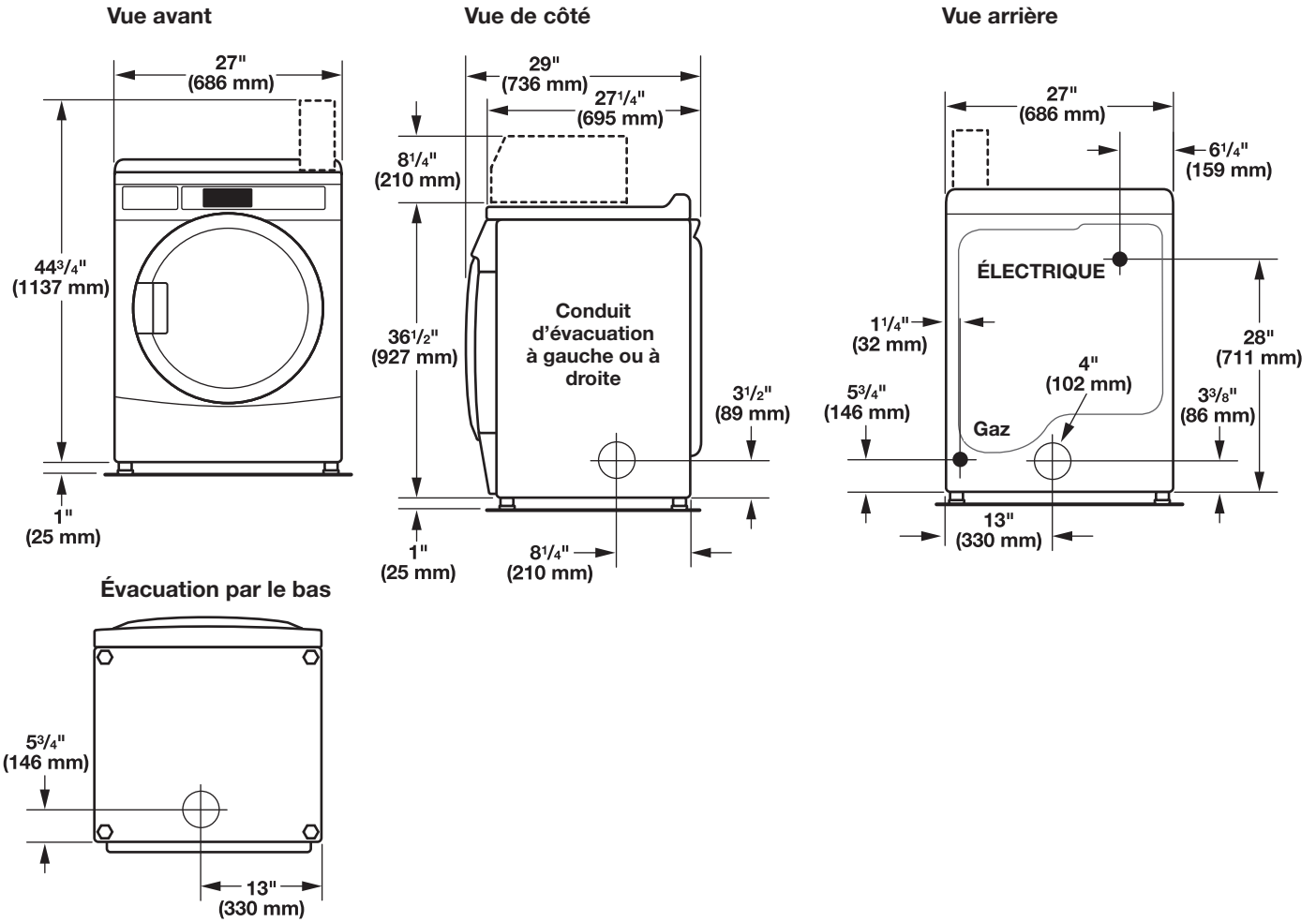
Pieds de nivellement (4)

Pour localiser des pièces de rechange spécifiées par l'usine dans votre région, contacter le revendeur auprès duquel la sècheuse a été achetée.

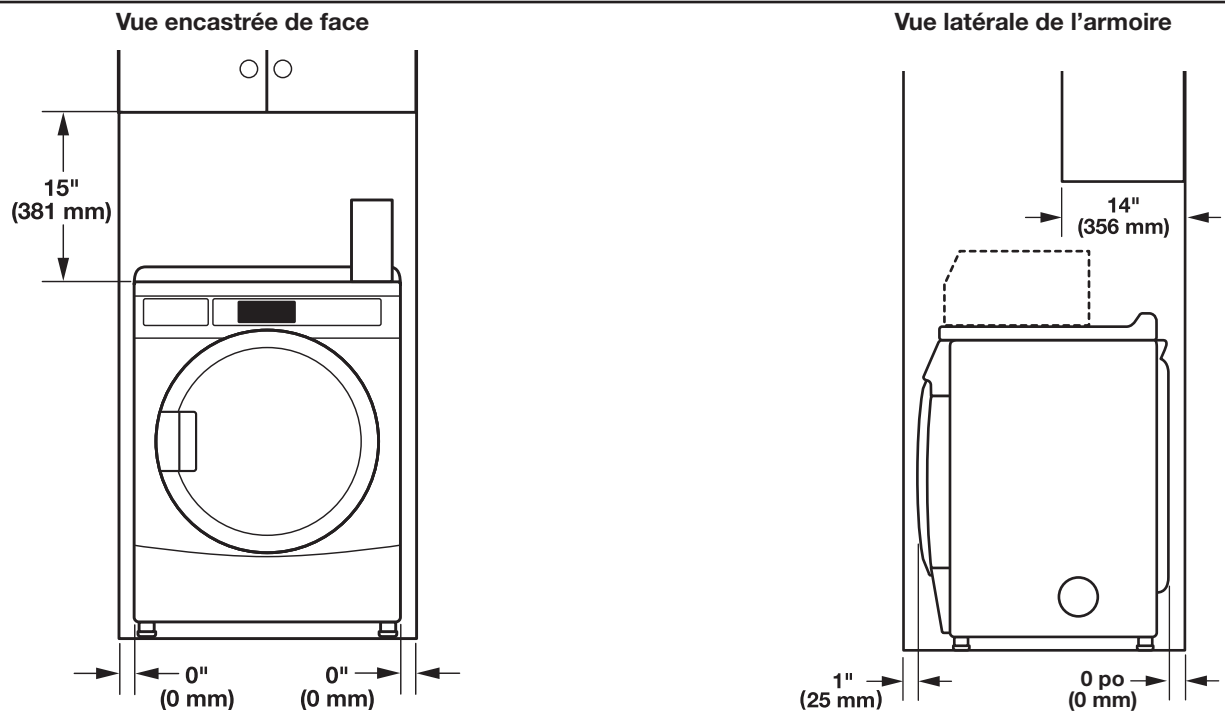
EXIGENCES D'INSTALLATION

Dimensions/dégagements

Dimensions



Dégagements



Exigences concernant l'évacuation

AVERTISSEMENT



Risque d'incendie

- Utiliser un conduit d'évacuation en métal lourd.
- Ne pas utiliser un conduit d'évacuation en plastique.
- Ne pas utiliser un conduit d'évacuation en feuille de métal.
- Le non-respect de ces instructions peut causer un décès ou un incendie.

AVERTISSEMENT : Pour réduire le risque d'incendie, cette sècheuse DOIT ÉVACUER L'AIR À L'EXTÉRIEUR.

IMPORTANT : Observer les dispositions de tous les codes et règlements en vigueur.

- Le conduit d'évacuation de la sècheuse ne doit pas être raccordé à une évacuation de gaz, une cheminée, un mur, un plafond, un grenier, un vide sanitaire ou un vide de construction. Seul un conduit d'évacuation rigide ou souple doit être utilisé pour le système d'évacuation.
- Utiliser uniquement un conduit d'évacuation en métal lourd de 4 po (102 mm) et des brides de serrage.
- Ne pas utiliser un clapet d'évacuation à fermeture magnétique.
- Utiliser des brides pour sceller tous les joints. Ne pas utiliser de vis ou autres dispositifs de fixation qui se prolongeraient à l'intérieur du conduit et qui capture la charpie. Ne pas utiliser de ruban adhésif pour conduit.
- Ne pas utiliser de conduit de plastique ou de métal très mince.

Conduit métallique rigide :

- Recommandé pour une performance de séchage idéale afin d'éviter tout écrasement ou toute déformation.

Conduit métallique flexible (acceptable seulement dans la mesure où il est accessible en vue du nettoyage) :

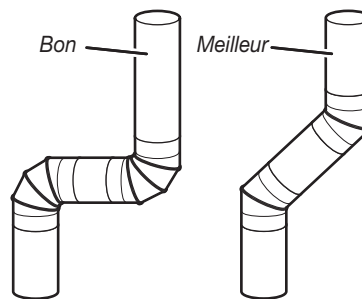
- Doit être entièrement déployé et soutenu à l'emplacement d'installation final de la sècheuse.
- Enlever tout excès de conduit flexible pour éviter tout affaissement et toute déformation susceptible de réduire la capacité d'évacuation et le rendement.
- Ne pas installer le conduit métallique flexible dans des cavités fermées de murs, plafonds ou planchers.
- La longueur totale ne doit pas dépasser 7 ¾ pi (2,4 m).

Terminer le conduit d'évacuation par un clapet de décharge pour empêcher les rongeurs et insectes d'entrer dans l'habitation ou le local.

Le clapet de décharge doit se trouver à au moins 12 po (305 mm) au-dessus du sol ou de tout autre objet susceptible de se trouver sur le trajet de l'air humide rejeté (par exemple, fleurs, roches ou buissons).

Lors de l'utilisation d'un système de décharge existant, nettoyer et éliminer les peluches sur toute la longueur du système et veiller à ce que le clapet de décharge ne soit pas obstrué par une accumulation de peluches. Remplacer tout conduit de plastique ou de feuille métallique par un conduit métallique rigide ou souple.

Planifier l'installation pour introduire le nombre minimal de coudes et de changements de direction.



Si des coudes ou changements de direction sont utilisés, prévoir autant d'espace que possible. Plier le conduit graduellement pour éviter de le déformer.

La sortie d'évacuation est située derrière la sècheuse, en bas au centre.

On peut acheminer le conduit d'évacuation vers le haut, vers le bas, vers la gauche, vers la droite ou en ligne droite depuis l'arrière de la sècheuse. Voir le point « Dimensions du produit » à la section « Exigences d'emplacement ».

Air d'appoint :

Même si chaque sècheuse à charge unique ne devrait avoir qu'une ouverture d'air non obstruée de 24 po² (154 cm²) (selon la mesure de 1 po² [6,5 cm²] pour 1 000 BTU [252 kcal]), les ouvertures d'air d'appoint communes sont cependant aussi acceptables. Installer des ouvertures communes de sorte que l'air d'appoint est distribué uniformément à toutes les sècheuses. Garder à l'esprit que la zone de couverture doit être augmentée de 33 % pour tenir compte de l'utilisation de registres ou de persiennes sur les ouvertures. De plus, les ouvertures d'air d'appoint ne doivent pas être installées près de l'emplacement des conduits d'évacuation à l'extérieur du bâtiment.

Longueur du système d'évacuation

La longueur maximale du système d'évacuation dépend du type de conduit utilisé, du nombre de coudes et du type de clapet d'évacuation. La longueur maximale pour le conduit rigide est illustrée sur le tableau.

Longueur maximum du circuit

Clapets d'évacuation – Diamètre de 4 po (102 mm)



Tableau du système d'évacuation (évent en métal rigide)

Nombre de changements de direction à 90°	Évent carré et à lames	Type incliné
0	64 pi (19,5 m)	58 pi (17,7 m)
1	54 pi (16,5 m)	48 pi (14,6 m)
2	44 pi (13,4 m)	38 pi (11,6 m)
3	35 pi (10,7 m)	29 pi (8,8 m)
4	27 pi (8,2 m)	21 pi (6,4 m)

Pour les systèmes d'évacuation qui ne sont pas couverts dans ce tableau, consulter votre fournisseur de pièces.

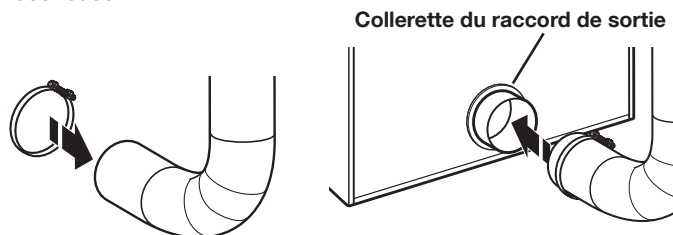
Prévoir un espace suffisant pour la combustion et la ventilation de l'air. (Vérifier les dispositions des codes et règlements en vigueur.) Voir les points « Instructions d'installation dans un encastrement ou une armoire » dans la section « Exigences d'emplacement ».

EXIGENCES D'INSTALLATION

Il est préférable d'utiliser une sortie de hotte de 4 po (102 mm). Cependant, on peut utiliser un clapet d'évacuation de 2 1/2 po (64 mm). Une sortie de 2 1/2 po (64 mm) cause davantage de contre-pression que les autres types d'installation. Pour une installation permanente, un système d'évacuation fixe est requis.

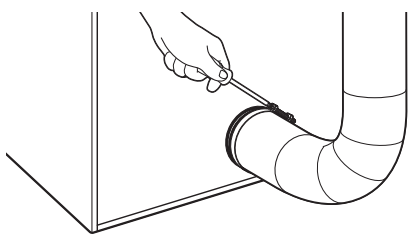
Raccordement du conduit d'évacuation

1. Si on utilise le conduit d'évacuation existant, s'assurer qu'il est propre.
2. À l'aide d'une bride de fixation de 4 po (102 mm), relier le conduit d'évacuation à la bouche d'évacuation de la sècheuse.

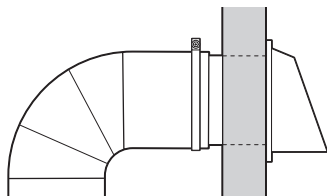


REMARQUE : Ne pas enlever le raccord de sortie.

3. Serrer la bride de serrage de tuyau avec un tournevis cruciforme.



4. S'assurer que le conduit d'évacuation est fixé au clapet d'évacuation à l'aide d'une bride de fixation de 4 po (102 mm).
5. Déplacer la sècheuse à son emplacement final. Ne pas écraser ni pincer le conduit d'évacuation. Vérifier que la sècheuse est d'aplomb.



REMARQUE : L'évaluation de l'évacuation devrait être effectuée à l'aide d'un manomètre. Minimum : 0,01 po (0,2 mm). Maximum : 0,6 po (16 mm).

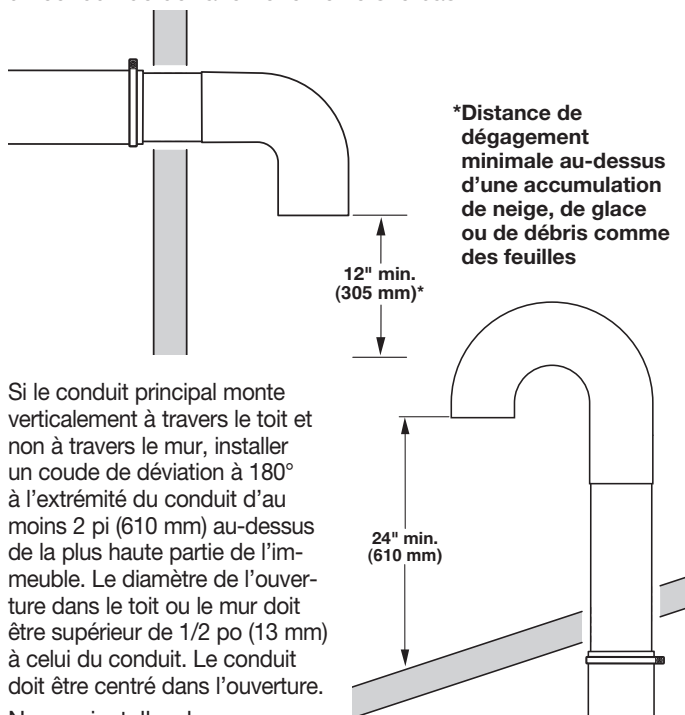
Pour les systèmes d'évacuation autres que ceux indiqués dans le tableau des systèmes d'évacuation, consulter le revendeur de pièces.

Si la sècheuse est installée dans une zone confinée, telle qu'une chambre, une salle de bain ou une armoire, prévoir un espace suffisant pour la combustion et la ventilation de l'air. (Vérifier les dispositions des codes et règlements en vigueur.) Voir le point « Instructions d'installation dans un encastrement ou une armoire » dans la section « Exigences d'emplacement ».

Il est préférable d'utiliser une sortie de hotte de 4 po (102 mm). Cependant, on peut utiliser un clapet d'évacuation de 2 1/2 po (64 mm). Une sortie de 2 1/2 po (64 mm) cause davantage de contre-pression que les autres types d'installation. Pour une installation permanente, un système d'évacuation fixe est requis.

Si on ne peut pas utiliser de clapet d'évacuation

L'extérieur du conduit d'évacuation principal doit comporter un conduit de déviation orienté vers le bas.



Si le conduit principal monte verticalement à travers le toit et non à travers le mur, installer un coude de déviation à 180° à l'extrémité du conduit d'au moins 2 pi (610 mm) au-dessus de la plus haute partie de l'immeuble. Le diamètre de l'ouverture dans le toit ou le mur doit être supérieur de 1/2 po (13 mm) à celui du conduit. Le conduit doit être centré dans l'ouverture.

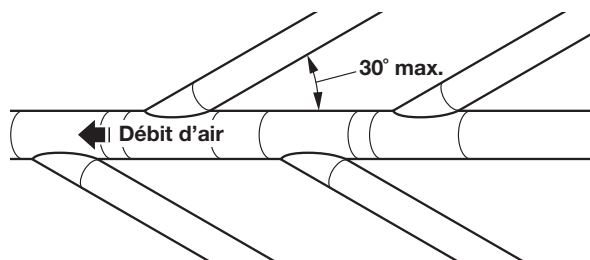
Ne pas installer de moustiquaire ou de bouchon sur le bout de l'évacuation.

Évacuation pour plusieurs sècheuses

- On peut utiliser un conduit principal pour assurer l'évacuation d'un ensemble de sècheuses. La taille du conduit principal doit permettre une évacuation de 200 CFM d'air pour chaque sècheuse. On peut utiliser des filtres à charpie haute capacité correctement conçus dans le conduit principal s'ils sont inspectés et nettoyés régulièrement. La pièce dans laquelle se trouvent les sècheuses doit comporter un système d'air d'appoint au moins égal au pi³/min de toutes les sècheuses qui se trouvent dans la pièce.
- Un ensemble clapet antiretour est offert par votre distributeur et doit être installé sur la ligne d'évacuation de chaque sècheuse pour éviter que l'air évacué revienne dans les sècheuses et pour maintenir l'évacuation en équilibre avec le conduit de sortie principal. Des ouvertures dégagées pour le retour d'air sont nécessaires.

Chaque conduit doit pénétrer dans le conduit principal en direction du mouvement de circulation de l'air. Les évacuations par l'autre côté doivent être placées en quinconce (décalées) pour réduire les interférences avec l'air sortant des autres évacuations en face.

L'inclinaison maximale de chaque conduit qui pénètre dans le conduit principal ne doit pas dépasser 30°.



Veiller à ce que les ouvertures de passage d'air demeurent exemptes de vapeurs de solvants de nettoyage à sec. Les vapeurs sont source de formation de composés acides, dont l'introduction par les modules de chauffage de la sècheuse peut provoquer la détérioration de la sècheuse et du linge en cours de séchage.

Le conduit d'évacuation principal devrait comporter un couvercle amovible, ce qui permet le nettoyage périodique du circuit d'extraction.

Exigences d'installation de la sècheuse à gaz

Exigences d'emplacement

⚠ AVERTISSEMENT



Risque d'explosion

Garder les matières et les vapeurs inflammables, telle que l'essence, loin de la sècheuse.

Ne pas installer dans un garage.

Le non-respect de ces instructions peut causer un décès, une explosion ou un incendie.

IMPORTANT : Ne pas installer ou remiser la sècheuse dans un endroit où elle sera exposée à l'eau ou aux intempéries. C'est à l'utilisateur qu'incombe la responsabilité de réaliser une installation correcte.

Il faut :

- Une prise électrique reliée à la terre située à moins de 6 pi (1,8 m) de la fiche du cordon électrique se trouvant à l'arrière de la sècheuse. Consulter les « Spécifications électriques ».
- Un plancher de niveau ayant une pente maximale de 1 po (25 mm) sous l'ensemble de la sècheuse. L'installation de la sècheuse sur une surface molle, comme un tapis ou un plancher avec sous-couche en mousse, n'est pas recommandée.

Dégagement pour l'installation de la sècheuse à gaz

- L'emplacement doit être assez grand pour permettre d'ouvrir complètement la porte de la sècheuse.
- Prévoir davantage d'espace pour faciliter l'installation et l'entretien. La porte ouvre de plus de 180°.
- Un espace supplémentaire peut être requis pour les moulures de porte et de plancher et pour les plinthes.
- Un espace supplémentaire de 1 po (25 mm) de tous les côtés de la sècheuse est recommandé pour réduire le transfert du bruit.

Lors de l'installation d'une sècheuse à gaz :

IMPORTANT : Observer les dispositions de tous les codes et règlements en vigueur.

- Vérifier les exigences des codes : Certains codes limitent ou n'autorisent pas l'installation d'une sècheuse dans un garage, une armoire ou une chambre à coucher. Contacter l'inspecteur en bâtiments local.
- S'assurer que les rebords inférieurs de l'armoire, ainsi que l'arrière et le côté inférieur de la sècheuse, sont bien dégagés pour permettre une évacuation adéquate de l'air de combustion. Voir la section « Instructions d'installation dans un encastrement ou une armoire » ci-dessous pour connaître les distances de dégagement minimales.

Instructions d'installation dans un encastrement ou une armoire

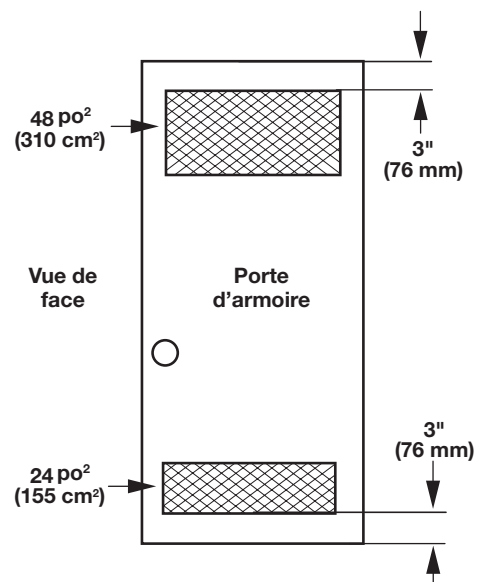
Cette sècheuse peut être installée dans un encastrement ou une armoire. Pour les installations dans un encastrement ou une armoire, les distances de dégagement minimales sont indiquées sur l'étiquette d'avertissement à l'arrière de la sècheuse ou à la section « Dimensions/distances de dégagement ».

Les dimensions d'installation sont en pouces et constituent le minimum applicable. Un espace supplémentaire peut être nécessaire pour faciliter l'installation, l'entretien et pour observer les codes et règlements locaux.

Si une porte d'armoire est installée, une ouverture d'évacuation de l'air minimale est nécessaire dans les parties supérieure et inférieure. Les portes à claire-voie offrant des ouvertures équivalentes sont acceptables.

La sècheuse doit évacuer à l'extérieur.

Aucun autre appareil consommant un combustible ne doit être installé dans la même armoire que la sècheuse.



EXIGENCES D'INSTALLATION

Spécifications électriques – Sécheuse à gaz

⚠ AVERTISSEMENT



Risque de choc électrique

Brancher sur une prise à 3 alvéoles reliée à la terre.

Ne pas enlever la broche de liaison à la terre.

Ne pas utiliser un adaptateur.

Ne pas utiliser un câble de rallonge.

Le non-respect de ces instructions peut causer un décès, un incendie ou un choc électrique.

IMPORTANT : La sécheuse doit être correctement reliée à la terre en conformité avec les codes et règlements locaux en vigueur, ou en l'absence de tels codes, avec le National Electrical Code, ANSI/NFPA 70 – dernière édition, ou le Code canadien des installations électriques, CSA C22.1. Si on utilise un conducteur distinct de liaison à la terre lorsque les codes le permettent, il est recommandé qu'un électricien qualifié vérifie que la liaison à la terre est adéquate.

Pour obtenir un exemplaire des normes des codes ci-dessus, contacter :

National Fire Protection Association
One Batterymarch Park, Quincy, MA 02269

CSA International
8501 East Pleasant Valley Road
Cleveland, Ohio 44131-5575

- Ne pas utiliser une tuyauterie de gaz pour le raccordement à la terre.
- Ne pas installer un fusible dans le conducteur neutre ou le circuit de liaison à la terre.
- L'appareil doit être alimenté par un circuit de 120 V CA à 60 Hz seulement et protégé par fusible de 15 ou 20 A. On recommande également d'utiliser un fusible ou un disjoncteur temporisé. Il est recommandé de raccorder l'appareil sur un circuit distinct exclusif à cet appareil.
- Cette sécheuse comporte un cordon d'alimentation électrique à trois broches pour liaison à la terre.
- Pour réduire le risque de décharge électrique, on doit brancher le cordon sur une prise de courant de configuration correspondante, à 3 alvéoles, reliée à la terre et installée conformément aux codes et règlements locaux. Si une prise de courant de configuration correspondante n'est pas accessible, le client a la responsabilité et l'obligation de faire installer par un électricien qualifié une prise de courant correctement reliée à la terre.
- Si les codes le permettent et si l'on utilise un conducteur distinct de liaison à la terre, il est recommandé qu'un électricien qualifié vérifie la qualité de la liaison à la terre.
- En cas de doute quant à la qualité de la liaison à la terre de la sécheuse, consulter un électricien qualifié.

Mise à la terre de la sécheuse à gaz

INSTRUCTIONS DE LIAISON À LA TERRE

- Pour une sécheuse reliée à la terre et connectée par un cordon :

Cette sécheuse doit être reliée à la terre. En cas de mauvais fonctionnement ou de panne, la liaison à la terre réduira le risque de choc électrique en offrant au courant électrique un acheminement d'évacuation de moindre résistance. Cette sécheuse est alimentée par un cordon électrique comportant un conducteur relié à la terre et une fiche de branchement munie d'une broche de liaison à la terre. La fiche doit être branchée sur une prise appropriée qui est bien installée et reliée à la terre conformément à tous les codes et règlements locaux.

- Pour une sécheuse raccordée en permanence :

Cette sécheuse doit être raccordée à un système de câblage permanent en métal relié à la terre ou un conducteur relié à la terre doit être en fonction avec les conducteurs de circuit et raccordé à la borne de liaison à la terre ou la borne sur la sécheuse.

AVERTISSEMENT : Le raccordement incorrect de cet appareil au conducteur de liaison à la terre peut susciter un risque de choc électrique. En cas de doute quant à la qualité de liaison à la terre de la sécheuse, consulter un électricien ou un technicien ou un personnel qualifié. Ne pas modifier la fiche de branchement fournie avec la sécheuse; si la fiche ne correspond pas à la configuration de la prise de courant, demander à un électricien qualifié d'installer une prise de courant appropriée.

CONSERVEZ CES INSTRUCTIONS

Alimentation en gaz

AVERTISSEMENT



Risque d'explosion

Utiliser une canalisation neuve d'arrivée de gaz approuvée par CSA International.

Installer un robinet d'arrêt.

Bien serrer chaque organe de connexion de la canalisation de gaz.

En cas de connexion au gaz propane, demander à une personne qualifiée de s'assurer que la pression de gaz ne dépasse pas 330 mm (13 po) de la colonne d'eau.

Par personne qualifiée, on comprend :

**le personnel autorisé de chauffage,
le personnel autorisé d'une compagnie de gaz, et
le personnel d'entretien autorisé.**

Le non-respect de ces instructions peut causer un décès, une explosion ou un incendie.

Lorsque l'appareil est installé à une altitude supérieure à 10 000 pi (3 048 m), on doit réduire de 4 % le débit thermique du brûleur indiqué sur la plaque signalétique pour chaque tranche de 1 000 pi (305 m) d'augmentation de l'altitude. Pour obtenir de l'aide lors de la conversion à d'autres types de gaz ou l'installation de l'appareil à une altitude supérieure à 10 000 pi (3048 m), contacter la société de dépannage la plus proche.

La pression de la canalisation de gaz requise pour le fonctionnement de cette sécheuse doit être de 5,2 po de colonne d'eau (1,30 kPa) au minimum et de 10,5 po de colonne d'eau (2,62 kPa) au maximum.

IMPORTANT : Observer les dispositions de tous les codes et règlements en vigueur.

Cette installation doit être effectuée conformément avec les codes et règlements locaux. En l'absence de code local, l'installation doit satisfaire aux prescriptions de la norme American National Standard, National Fuel Gas Code ANSI Z223.1/NFPA 54 ou CAN/CSA B149.

Pour obtenir un exemplaire des normes des codes ci-dessus, contacter :

National Fire Protection Association
One Batterymarch Park, Quincy, MA 02269

CSA International
8501 East Pleasant Valley Road
Cleveland, Ohio 44131-5575

La conception de cette sécheuse a été homologuée par CSA International pour une utilisation jusqu'à une altitude de 10 000 pi (3 048 m) au-dessus du niveau de la mer pour le débit thermique indiqué sur la plaque signalétique. Aucun réglage du brûleur n'est nécessaire lorsque la sécheuse est utilisée à une altitude inférieure à cette valeur maximale.

EXIGENCES D'INSTALLATION

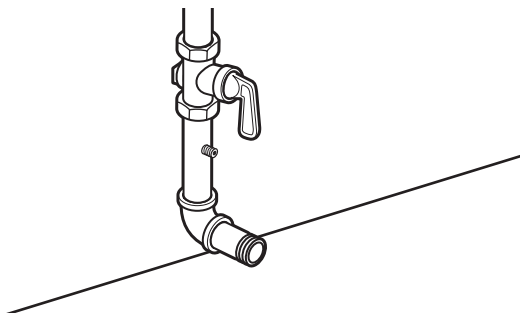
Type de gaz

Cette sècheuse est équipée pour une alimentation au gaz naturel. Sa conception est homologuée par CSA International pour l'alimentation au gaz propane ou butane avec conversion appropriée. Ne pas entreprendre de convertir la sècheuse pour une utilisation avec un gaz différent de celui indiqué sur la plaque signalétique sans d'abord consulter le fournisseur de gaz. L'opération de conversion doit être exécutée par un technicien de réparation qualifié.

Canalisation d'alimentation en gaz

Méthode recommandée

Installer une canalisation de gaz rigide de 1/2 po (13 mm) jusqu'à l'emplacement d'installation de la sècheuse. On doit utiliser un composé d'étanchéité des tuyauteries résistant à l'action du gaz propane. Ne pas utiliser de ruban TEFLON[†]. Pour l'alimentation au propane, le diamètre des canalisations ou tuyaux doit être de 1/2 po (13 mm) minimum. En général, le fournisseur de gaz propane détermine les matériaux à utiliser et le diamètre approprié.



Essai de pression de la canalisation de gaz

Un piquage bouché de 1/8 po NPT minimum, accessible pour le contrôle de pression, doit être installé immédiatement en aval du robinet d'arrêt installé pour la sècheuse (comme illustré ci-dessous). Lors de toute épreuve de pressurisation du système à une pression supérieure à 1/2 lb/po² (352 kg/m²), on doit déconnecter la sècheuse de la tuyauterie de l'alimentation en gaz. Lors de tout test de pressurisation de la canalisation de gaz à une pression égale ou inférieure à 1/2 lb/po² (3,5 kPa), on doit isoler la sècheuse de la canalisation de gaz par fermeture de son robinet d'arrêt.

Pression attendue de l'entrée de gaz

	Pouces d'eau minimum	Pouces d'eau maximum
Gaz naturel	5,2	10,5
Gaz propane	8,0	13,0

Méthode alternative

L'alimentation en gaz peut aussi être raccordée à l'aide d'un conduit en cuivre ou en aluminium homologué de 3/8 po (10 mm). Si la longueur totale de la canalisation d'alimentation est supérieure à 20 pi (6,1 m), utiliser un conduit de taille supérieure.

Pour le gaz naturel, ne pas utiliser de conduits en cuivre. On doit utiliser un composé d'étanchéité des tuyauteries résistant à l'action du gaz d'alimentation.

Robinet d'arrêt nécessaire

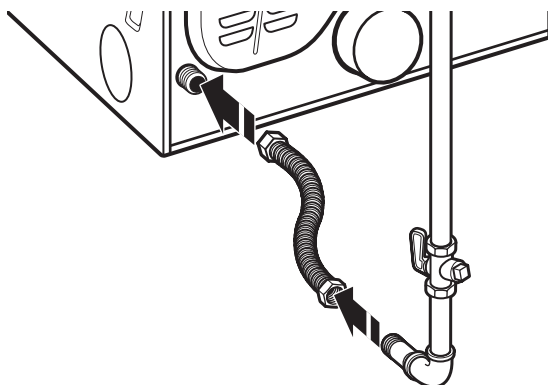
La canalisation d'alimentation doit comporter un robinet d'arrêt individuel manuel installé à 6 pi (1,8 m) maximum de la sècheuse conformément au National Fuel Gas Code, ANSI Z223.1. Le robinet doit se trouver dans la même pièce que la sècheuse.

Trousse de conversion de gaz (numéro de pièce W10402145). Ce numéro est aussi présent sur l'étiquette de la base du brûleur.

Il doit se trouver en un endroit facilement accessible pour les manœuvres d'ouverture/fermeture. Ne pas entraver l'accès au robinet d'arrêt manuel. Au Canada, un robinet d'arrêt individuel doit être installé conformément aux codes d'installation B149.1 CAN/CGA B149.1 et CAN/CGA B149.2.

Raccord métallique flexible pour appareil ménager

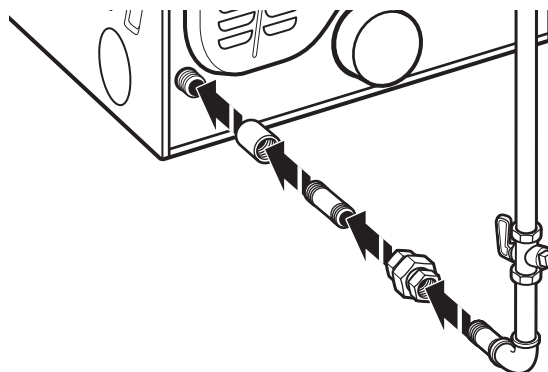
Il est recommandé d'utiliser une canalisation en acier inoxydable souple neuve, conception homologuée par CSA International, pour raccorder la sècheuse à la conduite d'alimentation en gaz. (La canalisation d'arrivée de gaz sortant à l'arrière de la sècheuse est dotée d'un filetage mâle de 3/8 po.)



REMARQUE : Ne pas déformer/endommager la canalisation en acier inoxydable flexible lors du déplacement de la sècheuse.

Raccordement par conduit rigide

On doit utiliser une combinaison de raccords pour réaliser un raccordement aligné entre la sècheuse et la canalisation de gaz.



Exigences d'installation de la sècheuse électrique

Exigences d'emplacement

⚠ AVERTISSEMENT



Risque d'explosion

Garder les matières et les vapeurs inflammables, telle que l'essence, loin de la sècheuse.

Ne pas installer dans un garage.

Le non-respect de ces instructions peut causer un décès, une explosion ou un incendie.

IMPORTANT : Ne pas installer ou remiser la sècheuse dans un endroit où elle sera exposée à l'eau ou aux intempéries. C'est à l'utilisateur qu'incombe la responsabilité de réaliser une installation correcte.

Il faut :

- Une prise électrique reliée à la terre située à moins de 6 pi (1,8 m) de la fiche du cordon électrique se trouvant à l'arrière de la sècheuse. Consulter les « Spécifications électriques ».
- Un plancher de niveau ayant une pente maximale de 1 po (25 mm) sous l'ensemble de la sècheuse. L'installation de la sècheuse sur une surface molle, comme un tapis ou un plancher avec sous-couche en mousse, n'est pas recommandée.

Exigences d'installation de la sècheuse électrique

- L'emplacement doit être assez grand pour permettre d'ouvrir complètement la porte de la sècheuse.
- Prévoir davantage d'espace pour faciliter l'installation et l'entretien. La porte ouvre de plus de 180°.
- Un espace supplémentaire peut être requis pour les moulures de porte et de plancher et pour les plinthes.
- Un espace supplémentaire de 1 po (25 mm) de tous les côtés de la sècheuse est recommandé pour réduire le transfert du bruit.

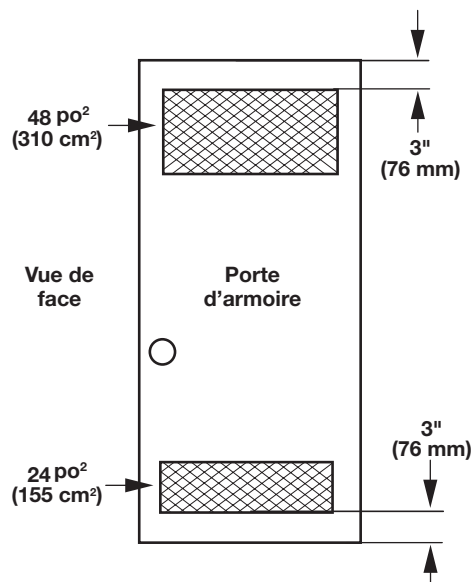
Instructions d'installation dans un encastrement ou une armoire

Cette sècheuse peut être installée dans un encastrement ou une armoire. Pour les installations dans un encastrement ou une armoire, les distances de dégagement minimales sont indiquées sur l'étiquette d'avertissement à l'arrière de la sècheuse ou à la section « Dimensions/distances de dégagement ».

Les dimensions d'installation sont en pouces et constituent le minimum applicable. Un espace supplémentaire peut être nécessaire pour faciliter l'installation, l'entretien et pour observer les codes et règlements locaux.

Si une porte d'armoire est installée, une ouverture d'évacuation de l'air minimale est nécessaire dans les parties supérieure et inférieure. Les portes à claire-voie offrant des ouvertures équivalentes sont acceptables.

La sècheuse doit évacuer à l'extérieur.



Spécifications électriques – États-Unis seulement

C'est à l'utilisateur qu'incombe la responsabilité de :

- Contacter un électricien qualifié.
- S'assurer que le raccordement électrique est adéquat et conforme au code national de l'électricité, ANSI/NFPA 70 – plus récente édition, et à tous les codes et règlements locaux en vigueur.
- Le National Electrical Code impose un raccordement à 4 fils de l'alimentation électrique pour les maisons construites après 1996, les circuits de sècheuse modifiés après 1996 et toutes les installations de maisons mobiles.
- Pour obtenir un exemplaire des normes des codes ci-dessus, contacter : National Fire Protection Association, One Batterymarch Park, Quincy, MA 02269.
- L'appareil doit être alimenté uniquement par un circuit monophasé à 3 ou 4 fils de 120/240 V CA, 60 Hz (ou 3 ou 4 fils, 120/208 V, si précisé sur la plaque signalétique) sur un circuit séparé et protégé par un fusible ou un disjoncteur de 30 A sur chacun des 2 câbles. On recommande d'utiliser un fusible ou un disjoncteur temporisé. On recommande également que cet appareil soit alimenté par un circuit indépendant. Ne pas avoir de fusible dans le circuit neutre ou de liaison à la terre.
- Ne pas utiliser de rallonge.
- Si les codes le permettent et si l'on utilise un conducteur distinct de liaison à la terre, il est recommandé qu'un électricien qualifié vérifie la qualité de la liaison à la terre.

EXIGENCES D'INSTALLATION

Spécifications électriques – États-Unis seulement (suite)

Raccordement électrique

Pour installer la sècheuse de façon appropriée, il faut établir le type de raccords électriques que l'on utilisera et suivre les instructions de ce document.

- Cette sècheuse est prête à l'installation avec un raccordement à l'alimentation électrique à 3 fils. Le fil de terre neutre est définitivement raccordé au conducteur neutre (fil blanc) à l'intérieur de la sècheuse. Si la sècheuse est installée avec un raccordement à 4 fils à l'alimentation électrique, le fil de terre neutre doit être retiré de la vis du connecteur de terre externe (vis verte) et fixé sous la borne du neutre (fil du centre ou blanc) du bornier. Lorsque le fil de terre neutre est fixé sous la borne du neutre (fil du centre ou blanc) du bornier, la caisse de la sècheuse est isolée du conducteur neutre.
- Si les codes locaux n'autorisent pas le raccordement d'un conducteur de liaison à la terre au fil neutre, voir « Raccordement optionnel à 3 fils ».
- Un raccordement à 4 fils de l'alimentation électrique doit être utilisé lorsque l'appareil est installé dans un lieu où la mise à la terre par le conducteur neutre est interdite. Il est interdit de relier l'appareil à la terre par l'intermédiaire du conducteur neutre dans les cas suivants : (1) nouvelle installation de circuit de dérivation, et (2) juridictions dans lesquelles le code local interdit la liaison à la terre par l'intermédiaire du conducteur neutre.

Mise à la terre de la sècheuse électrique

INSTRUCTIONS DE LIAISON À LA TERRE

- Pour une sècheuse reliée à la terre et connectée par un cordon :
Cette sècheuse doit être reliée à la terre. En cas de mauvais fonctionnement ou de panne, la liaison à la terre réduira le risque de choc électrique en offrant au courant électrique un acheminement d'évacuation de moindre résistance. Cette sècheuse est alimentée par un cordon électrique comportant un conducteur relié à la terre et une fiche de branchement munie d'une broche de liaison à la terre. La fiche doit être branchée sur une prise appropriée qui est bien installée et reliée à la terre conformément à tous les codes et règlements locaux.
- Pour une sècheuse raccordée en permanence :
Cette sècheuse doit être raccordée à un système de câblage permanent en métal relié à la terre ou un conducteur relié à la terre doit être en fonction avec les conducteurs de circuit et raccordé à la borne de liaison à la terre ou la borne sur la sècheuse.

AVERTISSEMENT : Le raccordement incorrect de cet appareil au conducteur de liaison à la terre peut susciter un risque de choc électrique. En cas de doute quant à la qualité de liaison à la terre de la sècheuse, consulter un électricien ou un technicien ou un personnel qualifié. Ne pas modifier la fiche de branchement fournie avec la sècheuse; si la fiche ne correspond pas à la configuration de la prise de courant, demander à un électricien qualifié d'installer une prise de courant appropriée.

CONSERVEZ CES INSTRUCTIONS

Cordon d'alimentation de la sècheuse

AVERTISSEMENT



Risque d'incendie

Utiliser un cordon d'alimentation électrique neuf homologué UL de 30 ampères.

Utiliser un réducteur de tension homologué UL.

Déconnecter la source de courant électrique avant de réaliser les connexions électriques.

Connecter le conducteur neutre (blanc ou conducteur central) à la borne centrale.

Le conducteur de liaison à la terre (vert ou nu) doit être relié au connecteur vert de liaison à la terre.

Connecter les 2 conducteurs d'alimentation restants aux 2 bornes (or) restantes.

Bien serrer chaque organe de connexion du branchement électrique.

Le non-respect de cette instruction peut causer un décès, un incendie ou un choc électrique.

En cas d'utilisation d'un cordon d'alimentation :

Utiliser un ensemble de cordon d'alimentation électrique homologué UL marqué pour utilisation avec les sècheuses à vêtements. L'ensemble doit contenir :

- Un cordon d'alimentation électrique homologué UL de 30 A, 120/240 V minimum. Le cordon doit être de type SRD ou SRDT et mesurer au moins 4 pi (1,22 m) de long. Les fils raccordés à la sècheuse doivent se terminer par des cosses rondes ou des cosses en « U » à fourche, à pointes relevées.
- Un serre-câbles homologué UL.

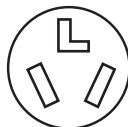
Si la prise murale ressemble à ceci :



Prise murale à 4 conducteurs (14-30R)

Choisir un câble d'alimentation à 4 fils avec cosses rondes ou à fourche et un serre-câbles homologué UL. Le cordon d'alimentation électrique à 4 fils, d'au moins 4 pi (1,22 m) de long, doit avoir 4 fils en cuivre torsadés de calibre no 10 et une fiche à 4 fils correspondante de type NEMA 14-30R. Le fil de liaison à la terre (le conducteur de liaison à la terre) peut être vert ou nu. Le conducteur neutre doit être identifié par une gaine blanche.

Si la prise murale ressemble à ceci :



Prise murale à 3 conducteurs (10-30R)

Choisir un câble d'alimentation à 3 fils avec cosses rondes ou à fourche et un serre-câbles homologué UL. Le cordon d'alimentation électrique à 3 fils, d'au moins 4 pi (1,22 m) de long, doit comporter trois fils en cuivre torsadés de calibre no 10 et une fiche à 3 fils correspondante de type NEMA 10-30R.

Raccordement direct

AVERTISSEMENT



Risque d'incendie

Utiliser du fil en cuivre de calibre 10.

Utiliser un réducteur de tension homologué UL.

Déconnecter la source de courant électrique avant de réaliser les connexions électriques.

Connecter le conducteur neutre (blanc ou conducteur central) à la borne centrale.

Le conducteur de liaison à la terre (vert ou nu) doit être relié au connecteur vert de liaison à la terre.

Connecter les 2 conducteurs d'alimentation restants aux 2 bornes (or) restantes.

Bien serrer chaque organe de connexion du branchement électrique.

Le non-respect de cette instruction peut causer un décès, un incendie ou un choc électrique.

Pour le raccordement direct :

Le câble d'alimentation doit correspondre à l'alimentation électrique (4 fils ou 3 fils) et être :

- Un câble en cuivre à gaine non métallique ou blindé souple (avec fil de liaison à la terre), avec conduit métallique souple. Tous les fils sous tension doivent être isolés.
- Fil en cuivre plein de calibre 10 (ne pas utiliser d'aluminium).
- D'au moins 5 pi (1,52 m) de long.

Spécifications électriques – Canada seulement

AVERTISSEMENT



Risque de choc électrique

Brancher sur une prise à 4 alvéoles reliée à la terre.

Le non-respect de cette instruction peut causer un décès ou un choc électrique.

C'est à l'utilisateur qu'incombe la responsabilité de :

- Contacter un électricien qualifié.
- S'assurer que le raccordement électrique est adéquat et conforme à la dernière édition du Canadian Electrical Code, C22.1, et à tous les codes et règlements locaux en vigueur. Pour obtenir un exemplaire des normes des codes ci-dessus, contacter : Canadian Standards Association, 178 Rexdale Blvd., Toronto, ON M9W 1R3 CANADA.
- L'appareil doit être alimenté uniquement par un circuit monophasé à 4 fils de 120/240 V CA, 60 Hz sur un circuit séparé et protégé par un fusible ou un disjoncteur de 30 A sur chacun des 2 câbles. On recommande d'utiliser un fusible ou un disjoncteur temporisé. On recommande également que cet appareil soit alimenté par un circuit indépendant.
- Cette sècheuse est équipée d'un cordon électrique homologué par la CSA International à introduire dans une prise murale standard 14-30R. Le cordon mesure 5 pi (1,52 m). Veiller à ce que la prise murale se trouve à proximité de l'emplacement définitif de la sècheuse.
- Ne pas utiliser de câble de rallonge. Si un cordon de recharge est utilisé, il est recommandé d'utiliser le cordon d'alimentation de recharge – numéro de pièce 8579325.



Prise murale à 4 conducteurs (14-30R)

Pour obtenir plus de renseignements, veuillez vous référer aux numéros de service indiqué à la section « Assistance ou entretien ».

INSTRUCTIONS DE LIAISON À LA TERRE

- Pour une sècheuse reliée à la terre et connectée par un cordon :
Cette sècheuse doit être reliée à la terre. En cas de mauvais fonctionnement ou de panne, la liaison à la terre réduira le risque de choc électrique en offrant au courant électrique un acheminement d'évacuation de moindre résistance. Cette sècheuse est alimentée par un cordon électrique comportant un conducteur relié à la terre et une fiche de branchement munie d'une broche de liaison à la terre. La fiche doit être branchée sur une prise appropriée qui est bien installée et reliée à la terre conformément à tous les codes et règlements locaux.
- Pour une sècheuse raccordée en permanence :
Cette sècheuse doit être raccordée à un système de câblage permanent en métal relié à la terre ou un conducteur relié à la terre doit être en fonction avec les conducteurs de circuit et raccordé à la borne de liaison à la terre ou la borne sur la sècheuse.

AVERTISSEMENT : Le raccordement incorrect de cet appareil au conducteur de liaison à la terre peut susciter un risque de choc électrique. En cas de doute quant à la qualité de liaison à la terre de la sècheuse, consulter un électricien ou un technicien ou un personnel qualifié. Ne pas modifier la fiche de branchement fournie avec la sècheuse; si la fiche ne correspond pas à la configuration de la prise de courant, demander à un électricien qualifié d'installer une prise de courant appropriée.

CONSERVEZ CES INSTRUCTIONS

INSTALLATION DES PIEDS DE NIVELLEMENT, DE LA GLISSIÈRE À MONNAIE ET DE LA CAISSE À MONNAIE

Le mécanisme de glissière, le verrou et la clé du panneau de commande et le verrou et la clé de la boîte à monnaie ne sont pas inclus mais sont disponibles auprès des fournisseurs industriels courants. Pour ce modèle, on doit utiliser un dispositif spécial d'extension de glissière que l'on peut acheter auprès d'un distributeur de glissières.

⚠ AVERTISSEMENT

Risque du poids excessif

Utiliser deux ou plus de personnes pour déplacer et installer la sécheuse.

Le non-respect de cette instruction peut causer une blessure au dos ou d'autre blessure.

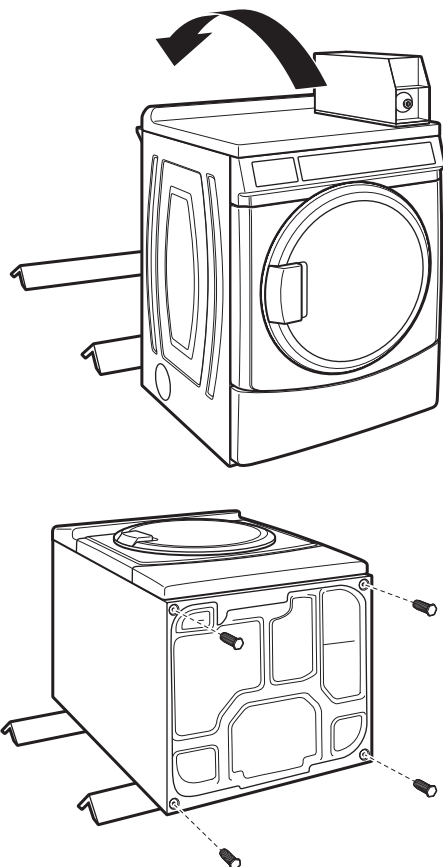
1. Préparation de la sécheuse pour les pieds de nivellement

REMARQUE : Faire glisser la sécheuse sur le carton ou le panneau dur avant de la déplacer pour éviter d'endommager la surface du plancher.

À l'aide d'au moins deux personnes, déplacer la sécheuse à l'emplacement d'installation souhaité.

Retirer le ruban des coins avant de la sécheuse. Ouvrir la sécheuse et ôter les sachets de pièces et le document de référence. Essuyer l'intérieur du tambour avec un chiffon humide pour éliminer toute trace de poussière.

Utiliser deux coins en carton de la boîte d'emballage de la sécheuse et les placer sur le plancher, à l'arrière de la sécheuse. Saisir fermement le corps de la sécheuse et l'allonger doucement sur sa partie postérieure sur les coins de carton.

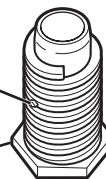


2. Vissage des pieds de nivellement

Examiner les pieds de nivellement pour trouver le repère en forme de diamant. Introduire manuellement les pieds dans les trous des pieds. Utiliser une clé à molette ou une clé de 1 po (25 mm) pour faire tourner les pieds jusqu'à ce que la marque de repérage (losange) ne soit plus visible. Placer ensuite un patin sur chaque pied. Pour les planchers dont l'inclinaison est plus grande, un pied de nivellement plus long est offert (numéro de pièce 279810).

Repère en forme de diamant

Pied

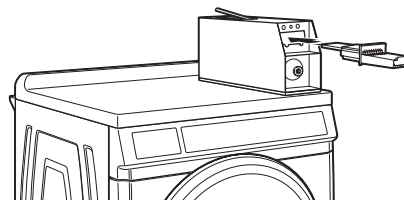


Pour protéger le plancher, utiliser un grand morceau de carton provenant de l'emballage de la sécheuse. Redresser la sécheuse sur le morceau de carton. Faire glisser la sécheuse jusqu'à ce qu'elle se trouve à proximité de son emplacement final. Laisser suffisamment d'espace pour pouvoir réaliser le raccordement électrique et du conduit d'évacuation.

Sur certains modèles : Le boîtier du compteur abrite le mécanisme de glissière à pièces, le verrou et la clé d'entretien, ainsi que le verrou et la clé de la boîte à monnaie.

3. Installation de la glissière et de la boîte à monnaie

Enlever la porte d'entretien du compteur en la soulevant par l'arrière. Installer le dispositif de réception de la monnaie. (Consulter les instructions du fabricant concernant l'installation.)



Réinstaller la porte d'entretien du compteur. Installer la chambre à pièces avec son verrou et sa clé dans l'ouverture du boîtier du compteur.

Retirer le carton ou le panneau dur situé sous la sécheuse. Ajuster les pieds de la sécheuse jusqu'à ce qu'elle soit d'aplomb.

Niveler votre sècheuse pour réduire de façon adéquate le niveau sonore et les vibrations excessifs.

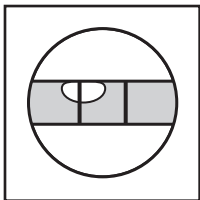
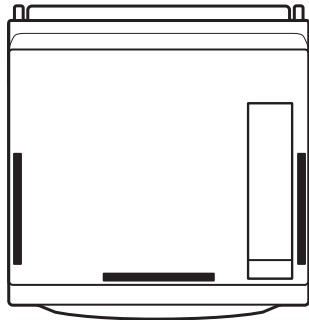
⚠ AVERTISSEMENT

Risque du poids excessif

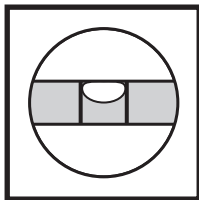
Utiliser deux ou plus de personnes pour déplacer et installer la sècheuse.

Le non-respect de cette instruction peut causer une blessure au dos ou d'autre blessure.

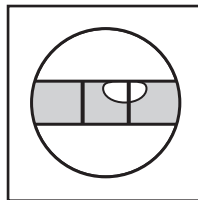
1. Enlever le morceau de carton placé sous la sècheuse. Placer un niveau sur les bords supérieurs de la sècheuse en vérifiant chaque côté et l'avant. Si elle n'est pas d'aplomb, faire basculer la sècheuse et régler les pieds vers le haut ou vers le bas puis recommencer si nécessaire.



Pas d'aplomb

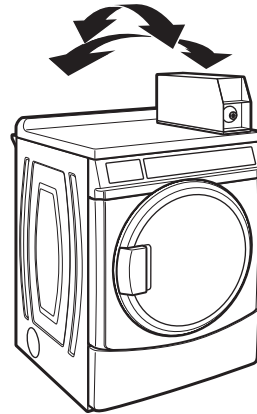


D'APLOMB



Pas d'aplomb

2. Saisir la sècheuse par le dessus et la faire basculer d'avant en arrière tout en s'assurant que les quatre pieds sont en contact ferme avec le sol. Faire de nouveau basculer la sècheuse transversalement. Si la sècheuse bascule, ajuster les pieds de nivellement.



3. Si la sècheuse n'est pas d'aplomb, tourner les pieds de nivellement dans le sens antihoraire pour abaisser la sècheuse ou dans le sens horaire pour la soulever. Vérifier de nouveau l'aplomb de la sècheuse et s'assurer que les quatre pieds touchent fermement le sol. Répéter si nécessaire.

CONSEIL UTILE : Il serait judicieux de soulever l'avant de la sècheuse d'environ 4 po (102 mm) à l'aide d'un bloc de bois ou un objet semblable qui pourra soutenir le poids de l'appareil.

INSTRUCTIONS D'INSTALLATION – SÈCHEUSE À GAZ

Raccordement au gaz

⚠ AVERTISSEMENT



Risque d'explosion

Utiliser une canalisation neuve d'arrivée de gaz approuvée par CSA International.

Installer un robinet d'arrêt.

Bien serrer chaque organe de connexion de la canalisation de gaz.

En cas de connexion au gaz propane, demander à une personne qualifiée de s'assurer que la pression de gaz ne dépasse pas 330 mm (13 po) de la colonne d'eau.

Par personne qualifiée, on comprend :

**le personnel autorisé de chauffage,
le personnel autorisé d'une compagnie de gaz, et
le personnel d'entretien autorisé.**

Le non-respect de ces instructions peut causer un décès, un explosion ou un incendie.

1. Retirer le capuchon rouge de la canalisation de gaz à l'arrière de la sècheuse.
2. Raccorder l'alimentation en gaz à la sècheuse. Utiliser un composé d'étanchéité de tuyauterie approuvé pour le type de gaz utilisé. Si on utilise un conduit métallique souple, veiller à ce qu'il ne soit pas pincé.
Si nécessaire pour une intervention d'entretien ou de réparation, ouvrir la plinthe en ôtant les 2 vis de 1/4 po à tête hexagonale du fond du panneau. Soulever ensuite le panneau tout en tirant le fond du panneau hors de la sècheuse.
3. Ouvrir le robinet d'arrêt de la canalisation d'alimentation en gaz et s'assurer que l'entrée en gaz de la sècheuse est aussi ouverte.
4. Vérifier tous les raccords en les badigeonnant d'une solution de détection des fuites non corrosive approuvée. La formation de bulles indique la présence d'une fuite. Éliminer toute fuite détectée.

RACCORDEMENTS DE LA SÈCHEUSE ÉLECTRIQUE

Options de raccordement

Cordon d'alimentation

Prise à 4 conducteurs (Type NEMA 14-30R)

Lire la section « Raccordement du câble d'alimentation ».



Prise à 3 conducteurs (Type NEMA 10-30R)

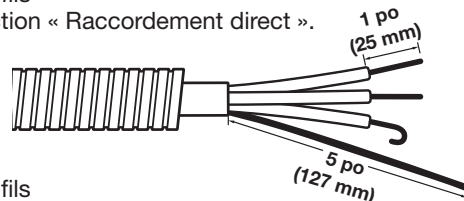
Lire la section « Raccordement du câble d'alimentation ».



Raccordement direct

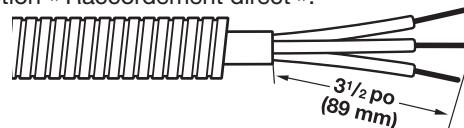
Direct – 4 fils

Lire la section « Raccordement direct ».



Direct – 3 fils

Lire la section « Raccordement direct ».



REMARQUE : Si les codes locaux n'autorisent pas le raccordement d'un conducteur de masse de la caisse au fil neutre, voir la section « Raccordement de la connexion à 3 fils : optionnel ». Ce raccordement peut servir pour un cordon d'alimentation ou une connexion directe des conducteurs.

Raccordement du cordon d'alimentation

⚠ AVERTISSEMENT



Risque d'incendie

Utiliser un cordon d'alimentation électrique neuf homologué UL de 30 ampères.

Utiliser un réducteur de tension homologué UL.

Déconnecter la source de courant électrique avant de réaliser les connexions électriques.

Connecter le conducteur neutre (blanc ou conducteur central) à la borne centrale.

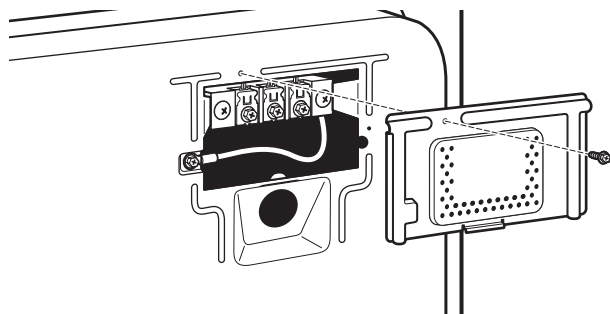
Le conducteur de liaison à la terre (vert ou nu) doit être relié au connecteur vert de liaison à la terre.

Connecter les 2 conducteurs d'alimentation restants aux 2 bornes (or) restantes.

Bien serrer chaque organe de connexion du branchement électrique.

Le non-respect de cette instruction peut causer un décès, un incendie ou un choc électrique.

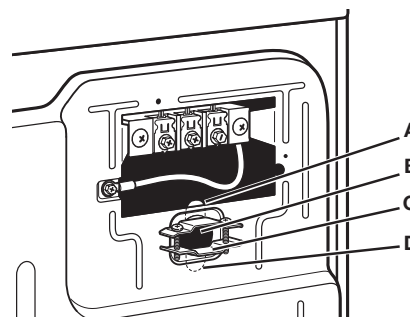
Retirer le couvercle du bornier



Retirer la vis de retenue et le couvercle du bornier.

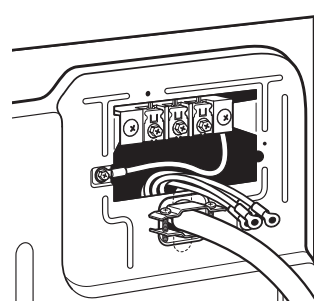
Serre-câbles du câble d'alimentation

1. Insérer le serre-câbles.



Retirer les vis d'un serre-câbles homologué UL de 3/4 po (19 mm) UL. Placer les ongles des deux moitiés de pince (C) dans le trou sous l'ouverture du bornier (B), de sorte qu'un d'entre eux pointe vers le haut (A) et l'autre vers le bas (D). Maintenir en place. Serrer les vis du serre-câbles juste assez pour maintenir ensemble les deux moitiés de pince (C).

2. Insérer le cordon d'alimentation dans le serre-câbles.



Passer le cordon d'alimentation à travers le serre-câbles. Vérifier que la gaine d'isolement du cordon d'alimentation rentre à l'intérieur du serre-câbles. Le serre-câbles doit être bien relié à la caisse de la sècheuse et se trouver en position horizontale. Ne pas visser davantage les vis du serre-câbles à ce stade.

RACCORDEMENTS DE LA SÈCHEUSE ÉLECTRIQUE

Raccordement de la connexion à 4 fils : cordon d'alimentation

IMPORTANT : Un raccordement à 4 fils est obligatoire pour les maisons mobiles et lorsque les codes locaux n'autorisent pas l'utilisation de raccordements à 3 fils.

Connecteurs standard pour cordon d'alimentation



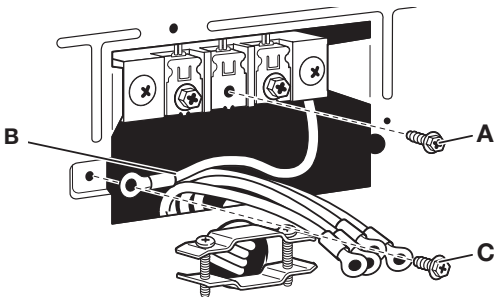
Connecteur à fourche et pointes relevées



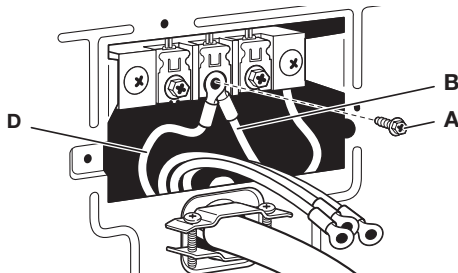
Connecteur rond

Raccordement du conducteur de mise à la terre et du conducteur neutre

1. Retirer la vis (A) de la borne centrale du bornier et le conducteur de terre neutre (B) en retirant la vis (C) du fil de terre externe.

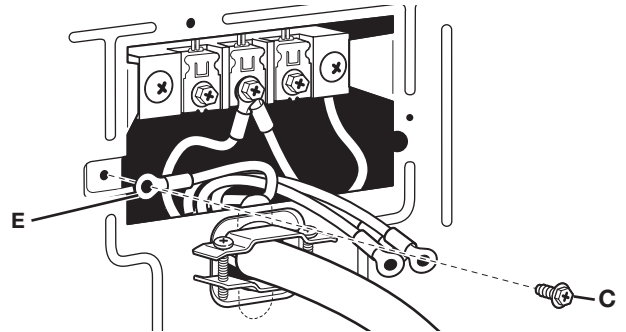


2. Connecter le conducteur de terre neutre (B) et le conducteur neutre (blanc ou central) (D) du cordon d'alimentation sous la vis du borne centrale du bornier (A). Serrer la vis.



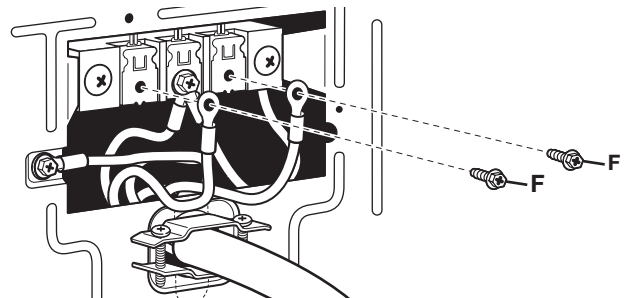
Connecter le conducteur de terre du cordon d'alimentation

3. Connecter le conducteur (vert ou nu) de liaison à la terre (E) du cordon d'alimentation électrique sous la vis du conducteur de liaison à la terre externe (C). Serrer la vis.



Connecter les conducteurs restants

4. Connecter les conducteurs restants au moyen des vis les plus à l'extérieur du bornier (F). Resserrer les vis. Finalement, remplacer le couvercle du bornier au panneau arrière de la sècheuse. Fixer le couvercle avec la vie de retenue. Ensuite, aller à la section « Exigences concernant l'évacuation ».



Raccordement de la connexion à 3 fils : cordon d'alimentation

Connecteurs standard pour cordon d'alimentation



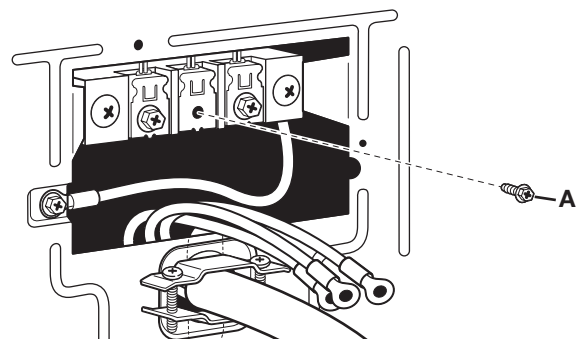
Connecteur à fourche et pointes relevées



Connecteur rond

Raccordement du conducteur neutre

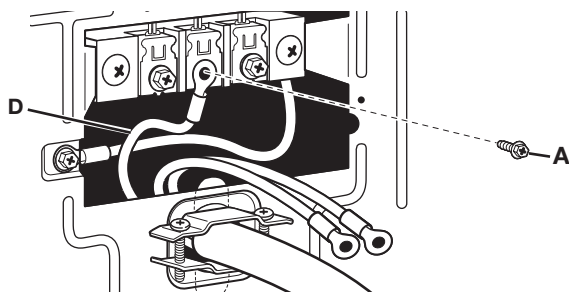
1. Desserrer ou retirer la vis de la borne centrale du bornier (A).



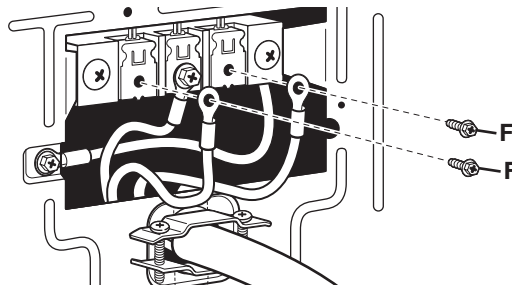
RACCORDEMENTS DE LA SÈCHEUSE ÉLECTRIQUE

Raccordement de la connexion à 3 fils : Cordon d'alimentation (suite)

2. Connecter le conducteur neutre (blanc ou central) (D) du cordon d'alimentation sous la vis de borne centrale du bornier (A). Serrer la vis.



3. Connecter les conducteurs restants sous les vis les plus à l'extérieur du bornier (F). Resserrer les vis. Finalement, remplacer le couvercle du bornier au panneau arrière de la sècheuse. Fixer le couvercle avec la vis de retenue. Ensuite, aller à la section « Exigences concernant l'évacuation ».



Méthode de raccordement direct

⚠ AVERTISSEMENT



Risque d'incendie

Utiliser du fil en cuivre de calibre 10.

Utiliser un réducteur de tension homologué UL.

Déconnecter la source de courant électrique avant de réaliser les connexions électriques.

Connecter le conducteur neutre (blanc ou conducteur central) à la borne centrale.

Le conducteur de liaison à la terre (vert ou nu) doit être relié au connecteur vert de liaison à la terre.

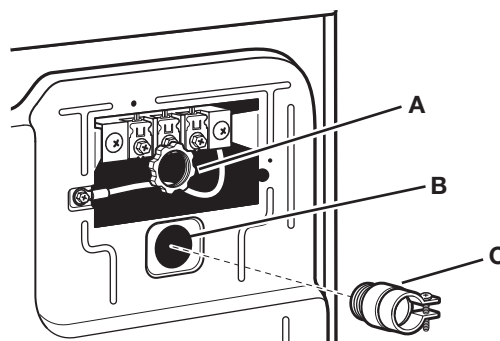
Connecter les 2 conducteurs d'alimentation restants aux 2 bornes (or) restantes.

Bien serrer chaque organe de connexion du branchement électrique.

Le non-respect de cette instruction peut causer un décès, un incendie ou un choc électrique.

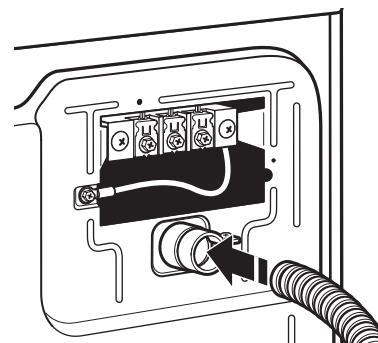
Serre-câbles pour raccordement direct

1. Insérer le serre-câbles.

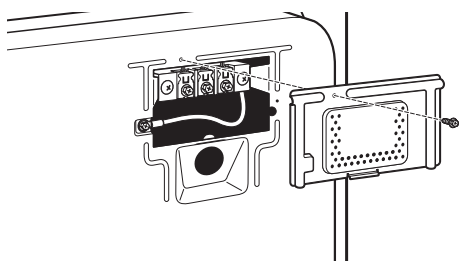


Dévisser le raccord de conduit amovible (A) et les vis d'un serre-câbles homologué UL de 3/4 po (19 mm). Visser la partie filetée du serre-câbles (C) dans le trou sous l'ouverture du bornier (B). En passant par l'ouverture du bornier, visser le connecteur de conduit amovible (A) sur le filetage du serre-câbles.

2. Insérer le conduit dans le serre-câbles et serrer la bride.



Retirer le couvercle du bornier



Retirer la vis de retenue et le couvercle du bornier.

Passer le câble à raccordement direct à travers le serre-câbles. Le serre-câbles doit être bien relié à la caisse de la sècheuse et se trouver en position horizontale. Serrer la vis du serre-câbles autour du câble à raccordement direct.

RACCORDEMENTS DE LA SÈCHEUSE ÉLECTRIQUE

Raccordement de la connexion à 4 fils : Câblage direct

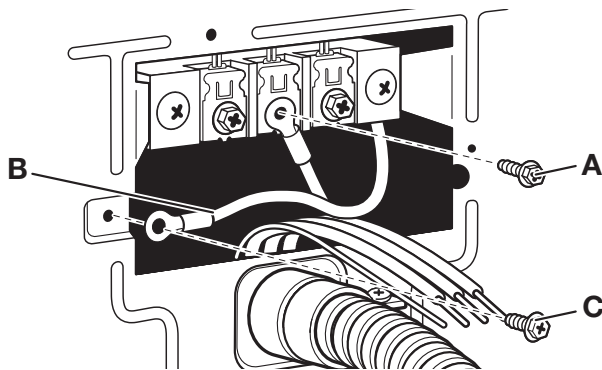
IMPORTANT : Un raccordement à 4 fils est obligatoire pour les maisons mobiles et lorsque les codes locaux n'autorisent pas l'utilisation de raccordements à 3 fils.

Le câble à raccordement direct doit avoir une longueur supplémentaire de 5 pi (1,52 m) pour pouvoir déplacer la sècheuse si nécessaire.

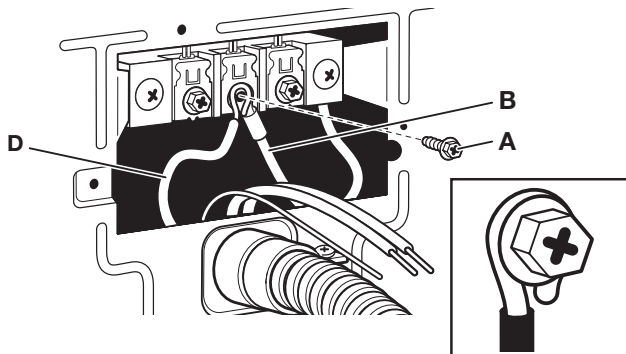
Dénuder une longueur de 5 po (127 mm) de gaine extérieure à l'extrémité du câble, en laissant le conducteur de mise à la terre nu à la longueur de 5 po (127 mm). Couper 1 ½ po (38 mm) des trois conducteurs restants. Dénuder les conducteurs sur une longueur de 1 po (25 mm). Former des crochets aux extrémités des conducteurs.

Raccordement du conducteur de terre neutre et du conducteur neutre

1. Retirer la vis (A) de la borne centrale du bornier et le conducteur de terre neutre (B) en retirant la vis (C) du connecteur de terre externe.

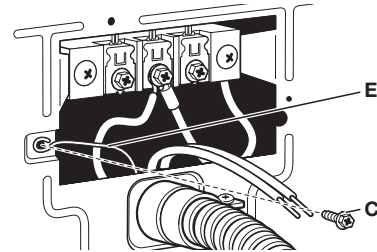


2. Connecter le conducteur de terre neutre (B) et placer l'extrémité en crochet (crochet orienté vers la droite) du conducteur neutre (blanc ou central) (D) du cordon d'alimentation sous la vis de borne centrale du bornier (A). Rapprocher les extrémités du crochet et serrer la vis.



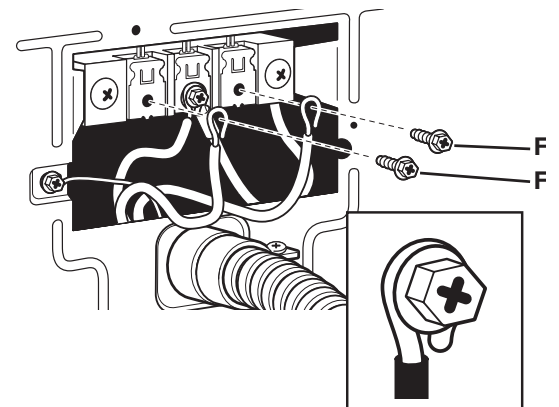
Raccordement direct du conducteur de terre

3. Connecter le conducteur (vert ou fil nu) de liaison à la terre (E) du cordon d'alimentation électrique direct sous la vis du conducteur de liaison à la terre externe (C). Serrer la vis.



Connecter les conducteurs restants

4. Connecter les conducteurs restants sous les vis les plus à l'extérieur du bornier (F). Rapprocher les extrémités du crochet et serrer les vis. Finalement, replacer le couvercle du bornier au panneau arrière de la sècheuse. Fixer le couvercle avec la vis de retenue. Ensuite, aller à la section « Exigences concernant l'évacuation ».



RACCORDEMENTS DE LA SÈCHEUSE ÉLECTRIQUE

Raccordement de la connexion à 3 fils : Câblage direct

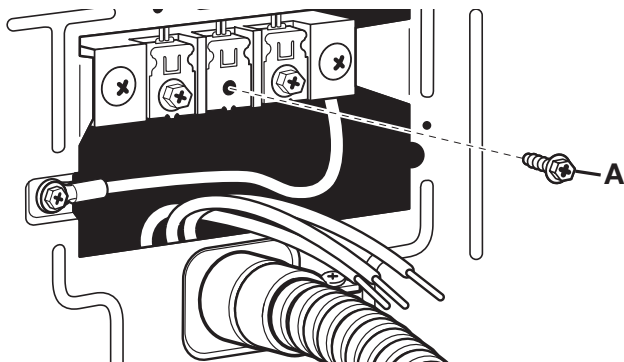
À utiliser lorsque les codes locaux autorisent la connexion du conducteur de masse de la caisse au conducteur neutre.

Le câble à raccordement direct doit avoir une longueur supplémentaire de 5 pi (1,52 m) pour pouvoir déplacer la sècheuse si nécessaire.

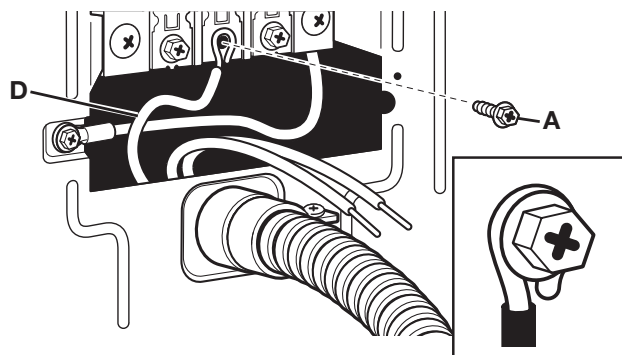
Dénuder une longueur de 3 ½ po (89 mm) de gaine extérieure à l'extrémité du câble. Dénuder les conducteurs sur une longueur de 1 po (25 mm). En cas d'utilisation d'un câble à 3 fils avec conducteur de mise à la terre, couper le fil nu au même niveau que la gaine extérieure. Former des crochets aux extrémités des conducteurs.

Raccordement du conducteur neutre

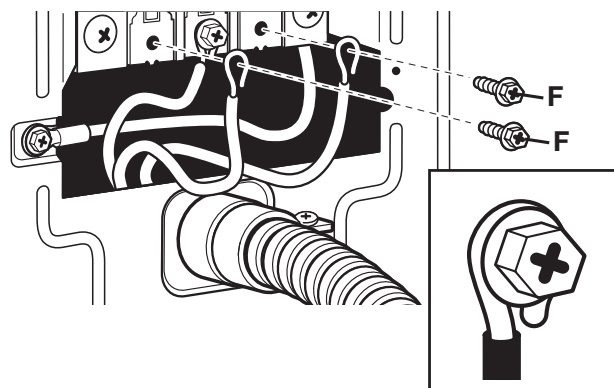
1. Desserrer ou retirer la vis de la borne centrale du bornier (A).



2. Placer l'extrémité en crochet du conducteur neutre (blanc ou central) (D) du cordon d'alimentation direct sous la vis de borne centrale du bornier (A), le crochet vers la droite. Rapprocher les extrémités du crochet et serrer la vis.



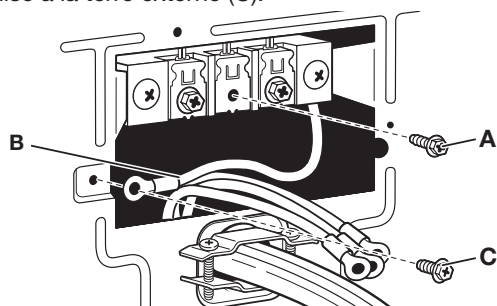
2. Placer l'extrémité en crochet du conducteur neutre (blanc ou central) (D) du cordon d'alimentation direct sous la vis de borne centrale du bornier (A), le crochet vers la droite. Rapprocher les extrémités du crochet et serrer la vis.



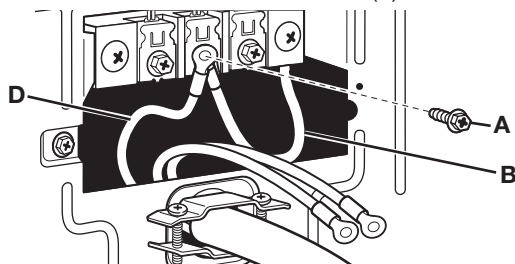
Raccordement de la connexion à 3 fils : en option

À utiliser pour le raccordement direct ou le cordon d'alimentation si les codes locaux ne permettent pas le raccordement du conducteur de terre de la caisse au neutre.

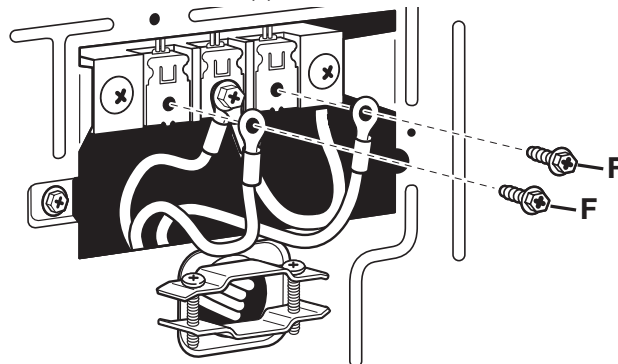
1. Retirer la vis de la borne centrale (A). Retirer également le conducteur de terre neutre (B) en retirant la vis du conducteur de mise à la terre externe (C).



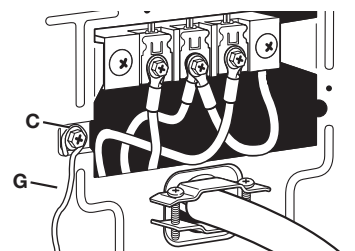
2. Connecter le conducteur de terre neutre (B) et le conducteur neutre (blanc ou central) (D) du cordon/câble d'alimentation sous la vis de borne centrale du bornier (A). Serrer la vis.



3. Connecter les conducteurs restants sous les vis les plus à l'extérieur du bornier (F). Resserrer les vis.



4. Raccorder un autre conducteur de terre en cuivre (G) sous la vis de conducteur de terre externe verte (C) pour mise à la terre adéquate. Finalement, remplacer le bornier au panneau arrière de la sècheuse. Fixer le couvercle avec la vie de retenue. Ensuite, aller à la section « Exigences concernant l'évacuation ».



1. Consulter les spécifications électriques. Vérifier que la tension électrique disponible est correcte et que la prise de courant est convenablement reliée à la terre. Consulter les « Spécifications électriques ».
2. Vérifier que toutes les pièces sont maintenant installées. S'il reste une pièce, passer en revue les différentes étapes.
3. Vérifier la présence de tous les outils.
4. Éliminer/recycler tous les matériaux d'emballage.

AVERTISSEMENT



Risque de choc électrique

Brancher sur une prise à 3 alvéoles reliée à la terre ou 4 alvéoles reliée à la terre.

Ne pas enlever la broche de liaison à la terre.

Ne pas utiliser un adaptateur.

Ne pas utiliser un câble de rallonge.

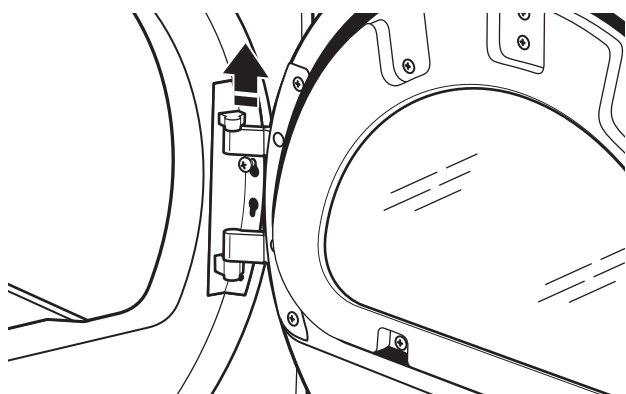
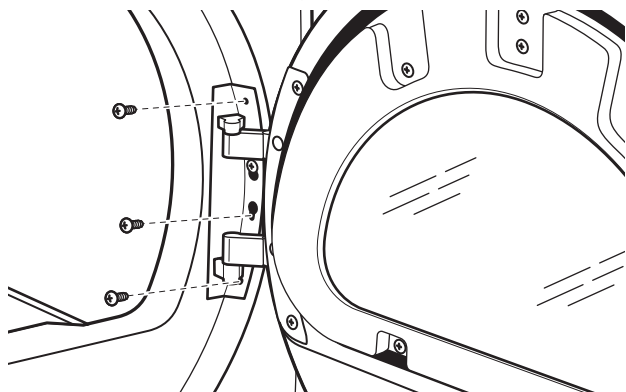
Le non-respect de ces instructions peut causer un décès, un incendie ou un choc électrique.

5. Brancher sur une prise reliée à la terre ou connecter la source de courant électrique.
6. Vérifier le bon fonctionnement de la sècheuse. Fermer la porte de la sècheuse. Insérer des pièces dans la glissière et appuyer sur cette dernière lentement. Sélectionner le programme Whites and Colors (blanc et couleurs) et laisser la sècheuse fonctionner pendant au moins cinq minutes.
REMARQUE : La porte de la sècheuse doit être fermée pour que celle-ci puisse fonctionner.
7. Ouvrir la porte de la sècheuse. Vérifier que l'intérieur de la sècheuse est chaud. Si le brûleur ne s'allume pas et qu'on ne ressent pas de chaleur à l'intérieur de la sècheuse, éteindre la sècheuse pendant cinq minutes. Vérifier que toutes les manettes des vannes d'alimentation sont en position ouverte « ON » et que le cordon électrique est branché.
8. Si le temps de séchage est trop long, s'assurer que le filtre à charpie est propre et qu'il n'y a pas d'obstruction dans le système d'évacuation de l'air.
9. Démarrer la sècheuse et la laisser terminer un programme complet pour s'assurer qu'elle fonctionne correctement.

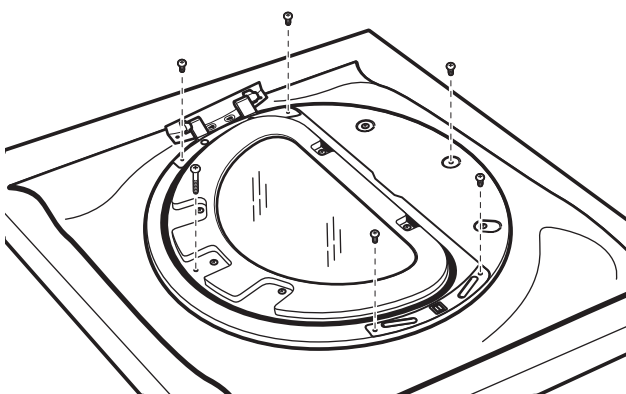
INVERSION DU SENS D'OUVERTURE DE LA PORTE DE LA SÉCHEUSE (OPTIONNEL)

Retrait de la porte

1. Placer une serviette ou un chiffon doux sur le dessus de la sècheuse ou du plan de travail pour éviter d'érafler la surface.
2. Enlever 3 des 4 vis qui maintiennent la charnière de la porte sur le panneau avant de la sècheuse. Desserrer partiellement la vis restante dans l'ouverture en forme de trou de serrure et soulever la porte pour la dégager de la vis.

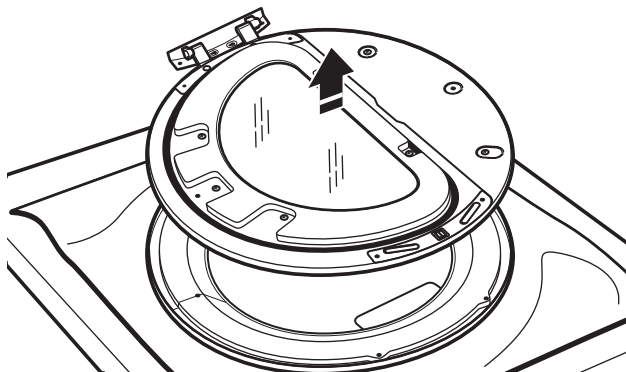


3. Poser la porte sur une surface plane préparée à l'avance en orientant l'intérieur (partie interne de la porte) vers le haut et retirer les 6 vis cruciformes pour séparer la partie externe de la porte de la partie interne.

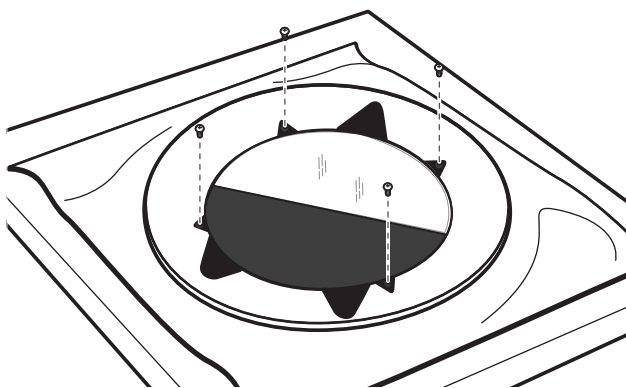


REMARQUE : Il est important d'enlever uniquement les 6 vis indiquées.

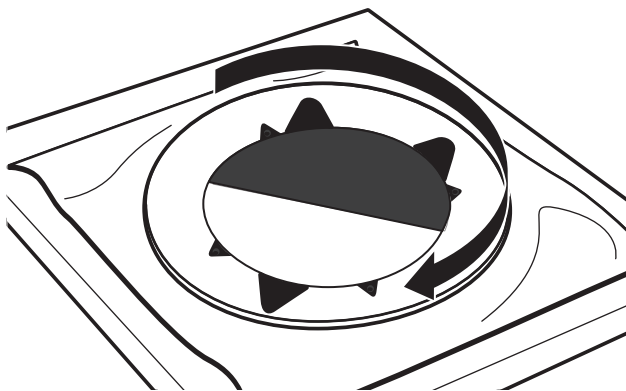
4. Soulever la partie interne de la porte hors de la partie externe.



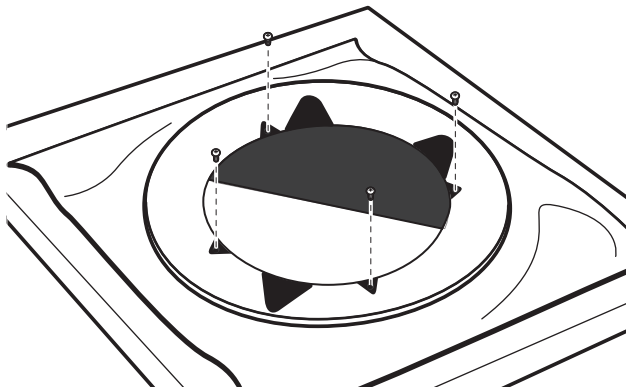
5. Retirer 4 vis cruciformes pour séparer la partie centrale de l'anneau externe de la porte.



6. Soulever et faire tourner la partie centrale de 180 degrés.



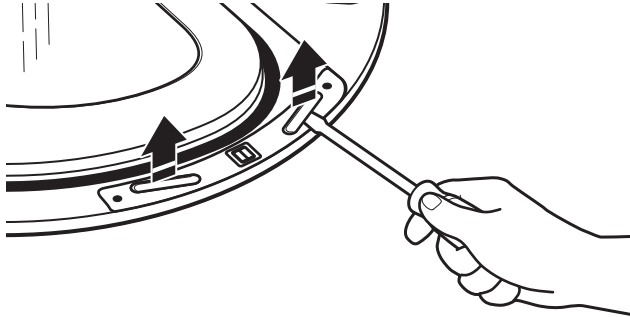
7. Assembler de nouveau les parties interne et externe de la porte avec les 4 vis.



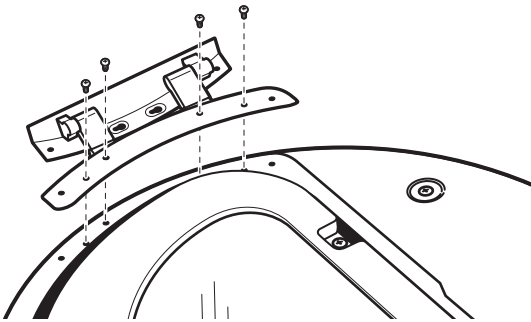
INVERSION DU SENS D'OUVERTURE DE LA PORTE DE LA SÉCHEUSE (OPTIONNEL)

Inversion de la charnière

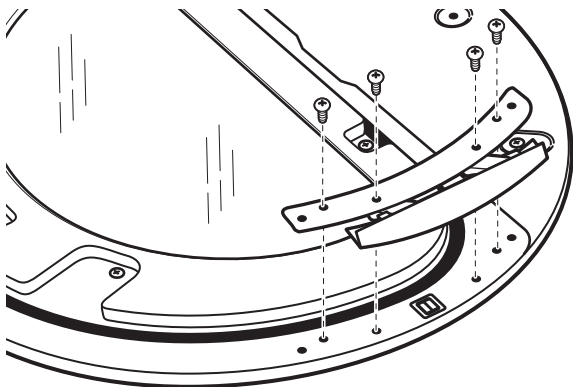
1. Utiliser un petit tournevis à lame plate pour enlever 2 pitons d'obturation de la partie interne de la porte. Faire glisser la tête du tournevis sous les pitons, en veillant à ne pas érafler la partie interne de la porte et soulever la languette.



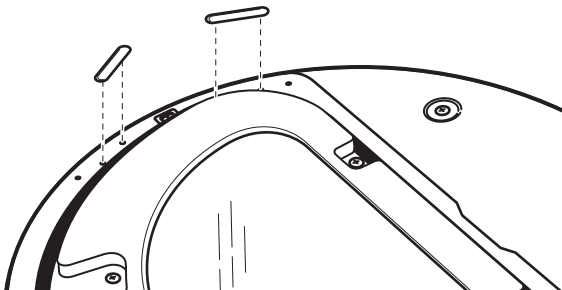
2. Retirer les 4 vis fixant la charnière de porte interne.



3. Déplacer la charnière de l'autre côté. Réinstaller les 4 vis.



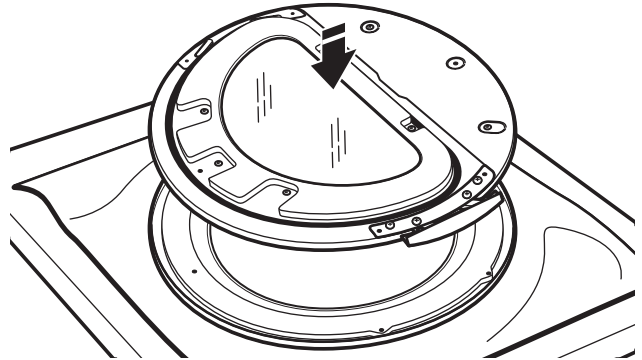
4. Réinstaller les pitons d'obturation sur le côté opposé de la porte interne.



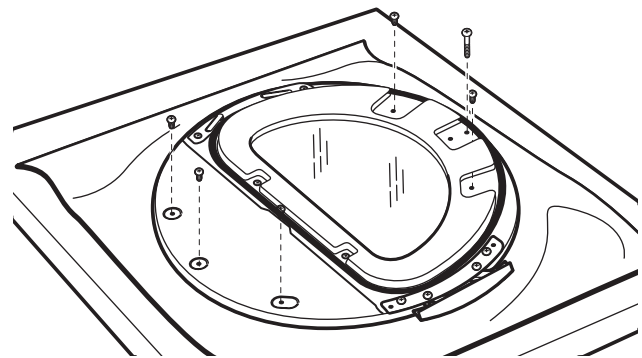
5. Vérifier qu'il n'y a pas de marques de doigts sur le verre. Nettoyer au besoin.

Replacer la porte

1. Placer la partie interne de la porte à l'intérieur de la partie externe.

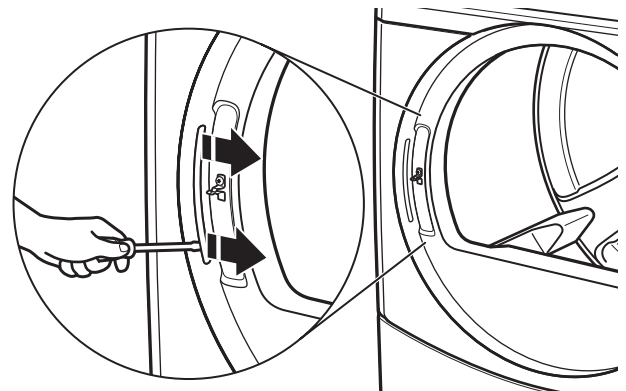


2. Assembler de nouveau les parties interne et externe de la porte avec les 6 vis.

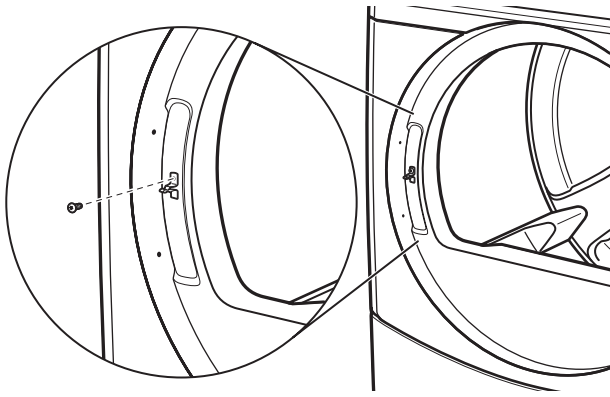


Inversion de la gâche

1. Utiliser un petit tournevis à lame plate pour enlever les pitons d'obturation dans l'ouverture de la porte de la sécheuse. Faire glisser la tête du tournevis sous les pitons, en veillant à ne pas érafler la surface de la sécheuse et soulever la languette.



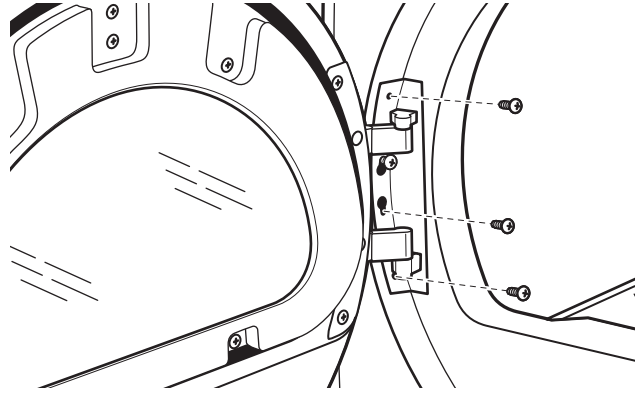
2. Retirer la gâche à l'aide d'un tournevis cruciforme.



3. Installer la gâche du côté opposé.

Réinstaller la porte

1. Insérer partiellement la 3^e vis depuis le dessus et faire coulisser la charnière sur la vis tout en insérant la charnière dans le trou du panneau avant. Fixer de nouveau la porte sur le panneau avant de la sècheuse avec les 4 vis.



2. Vérifier qu'il n'y a pas de marques de doigts sur le verre. Nettoyer au besoin.

3. Fermer la porte et vérifier qu'elle s'enclenche solidement.

INSTRUCTIONS D'ENTRETIEN

- Nettoyer le filtre à charpie avant ou après chaque programme.
- Comment enlever la charpie accumulée :
À l'intérieur de la caisse de la sècheuse :
Retirer la charpie tous les 2 ans, ou plus souvent, selon l'utilisation de la sècheuse. Le nettoyage doit être effectué par une personne qualifiée.
De l'intérieur du conduit d'évacuation :
Retirer la charpie tous les 2 ans, ou plus souvent, selon l'utilisation de la sècheuse.
- Dégager l'espace autour de la sècheuse; aucune matière combustible, essence ou autres vapeurs ou liquides inflammables ne doit s'y trouver.
- Dégager l'emplacement de la sècheuse de façon à ce qu'il soit libre de tout élément susceptible d'obstruer le débit d'air de combustion et de ventilation.

Si la sècheuse ne fonctionne pas, vérifier ce qui suit :

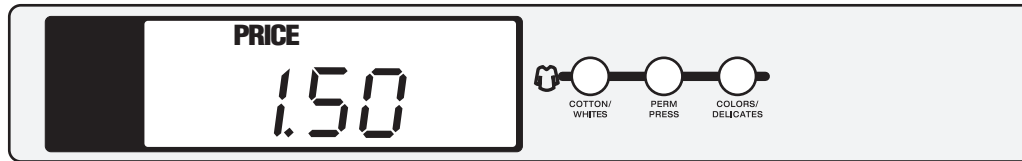
- La prise de courant est correctement alimentée.
- Le disjoncteur ne s'est pas déclenché et aucun fusible n'est grillé.
- La porte est fermée. Écouter attentivement pour vérifier que le loquet de porte s'enclenche.
- La commande est bien réglée et l'écran affiche la durée du programme.
- Le bouton de sélection de programmes a été fermement enfoncé.
- Pour les sècheuses à gaz, vérifier que le robinet d'arrêt est ouvert.

EN CAS DE BESOIN D'ASSISTANCE

Les services sous garantie doivent être effectués exclusivement par nos fournisseurs de dépannage autorisés Whirlpool. Aux É.-U. et au Canada, dirigez toutes vos demandes de service sous garantie au : Whirlpool Customer eXperience Center. Aux É.-U., composez le **1 800 253-1301**. Au Canada, composez le **1 800 807-6777**.

Si vous résidez à l'extérieur des 50 États des États-Unis et du Canada, contactez votre marchand Whirlpool autorisé pour déterminer si une autre garantie s'applique.

INSTRUCTIONS DE CONFIGURATION DES COMMANDES ÉLECTRONIQUES



REMARQUE : Une fois la sècheuse installée et branchée pour la première fois, l'affichage indique « 0 MINUTES ». Une fois la porte ouverte, puis fermée, l'affichage indique le prix.

Informations générales d'utilisation

UN MESSAGE DÉFILANT « OUT OF ORDER » (HORS SERVICE), SUIVI D'UN CODE D'ERREUR OU DE DIAGNOSTIC, S'AFFICHE À L'ÉCRAN – Ce problème indique que la sècheuse est défectueuse.

« 0 MINUTES » APPARAÎT SUR L'AFFICHAGE – Ceci indique qu'il n'est pas possible de faire fonctionner la sècheuse. Les pièces introduites ou le débit par carte engagé pendant cette phase sont stockés en avoir, mais ne sont pas utilisables tant que le fonctionnement normal n'est pas rétabli par l'ouverture et la fermeture de la porte. En cas de défaillance du contacteur d'une porte, qui provoque le maintien de l'affichage « 0 MINUTES » après l'ouverture et la fermeture de la porte, le contacteur doit être remplacé avant le rétablissement d'un fonctionnement normal.

DÉMARRAGE À FROID (première utilisation) –

La sècheuse est programmée en usine de la manière suivante : Séchage 1,50 \$ (30 minutes).
Modèle 9160 seulement : Séchage 0 \$ (45 minutes)

DÉMARRAGE À CHAUD (après une panne de courant) –

Quelques secondes après le rétablissement de l'alimentation, si un programme était en cours au moment de la coupure, « RESELECT CYCLE » (résélectionner programme) clignote sur l'affichage, indiquant qu'il faut appuyer sur un bouton pour redémarrer la sècheuse.

TARIFS – Une fois la porte ouverte, puis fermée après la fin de programme, l'affichage indique le prix du programme (à moins d'un réglage pour un fonctionnement gratuit, où l'affichage clignote en indiquant « SELECT CYCLE [SÉLECTIONNER PROGRAMME] »). Après l'insertion de pièces ou un débit de la carte de débit, les portions de l'affichage changent pour guider l'utilisateur dans le lancement d'un programme.

Il existe quatre (4) types de prix pour la sècheuse :

Prix de vente fixe

Une sècheuse réglée pour un fonctionnement en programme fixe accepte uniquement les durées supplémentaires accumulées par paliers égaux à la durée d'un programme de séchage complet. Un maximum de 75 minutes peut être acheté; aucun crédit supplémentaire n'est accordé pour les pièces insérées lorsque 75 minutes est affiché.

Prix par accumulation

Si l'option d est placée à d.00 et que le code 6 est placé à une pièce, alors le prix par accumulation est en vigueur. La durée du programme peut être augmentée avec une pièce à la fois jusqu'à une durée maximale de 75 minutes.

Programme fixe avec prix de durée supplémentaire (offert seulement pour une utilisation avec la chute à monnaies ou le lecteur de carte)

Une sècheuse réglée pour proposer une fonctionnalité « Top Off » (durée supplémentaire) permet d'ajouter une durée à un programme de séchage existant par paliers égaux au nombre de minutes de durée de séchage par pièce de 0,25 \$ (pièce 1), jusqu'à 75 minutes, quel que soit le coût nécessaire pour mettre en marche la sècheuse. Aucun crédit n'est accordé pour les pièces insérées ou les apports par carte de débit lorsque l'affichage indique 75 minutes.

PROGRAMME GRATUIT – Cette fonction est établie en réglant le prix du programme sur zéro. Dans ce cas, « SELECT CYCLE » (sélectionner programme) s'affiche à la place du prix du programme. En mode gratuit, un programme commencé se termine automatiquement à l'ouverture de la porte.

COMPATIBLE CARTE DE DÉBIT – Cette sècheuse est compatible avec les cartes de débit.

Elle accepte divers systèmes de cartes de débit, mais est livrée SANS lecteur de carte de débit. Consulter le fabricant du lecteur de carte de débit pour une installation correcte avec la sècheuse. L'option débit amélioré est sélectionnée lorsqu'un lecteur de cartes de 2^e génération est installé dans la sècheuse.

En mode débit amélioré, le prix d'appoint peut être réglé indépendamment (voir VALEUR DE LA PIÈCE 2), et la durée de l'appoint est calculée en fonction de l'équation suivante :

$$\frac{\text{Prix d'appoint}}{\text{Prix programme complet}} = \frac{\text{Durée d'appoint}}{\text{Durée du programme complet}}$$

Dans les modèles convertis avec un système à carte de débit de 1^{re} génération, les impulsions de débit représentent l'équivalent d'une pièce (pièce 1).

REMARQUE : Le mode débit amélioré ne peut pas être désélectionné.

Procédures de configuration des commandes

IMPORTANT : Lire toutes les instructions avant la mise en marche.

Les boutons de réglage du tissu, associés à l'affichage numérique, servent à régler les commandes de la sècheuse.

L'affichage peut contenir 4 chiffres ou lettres et un point décimal. Il indique les codes de configuration et les valeurs correspondantes pour la programmation de la sècheuse.

INSTRUCTIONS DE CONFIGURATION DES COMMANDES ÉLECTRONIQUES

Utilisation des boutons pour la programmation des commandes

1. Le bouton COTOTN/WHITES (coton/blanc) sert à régler les valeurs associées aux codes de configuration. En appuyant sur le bouton, la valeur change par paliers. Un réglage rapide est possible en maintenant le bouton enfoncé.
2. Le bouton PERM. PRESS (pressage permanent) permet de parcourir les codes de configuration. Le code de configuration accessible suivant est atteint en appuyant sur ce bouton. Pour passer aux codes de configuration suivants à un rythme supérieur à un par seconde, maintenir le bouton enfoncé.
3. Le bouton COLORS/DELICATES (couleurs/articles délicats) sélectionne les options ou les annule.

Configuration pour utilisation immédiate

Insérer la clé d'accès d'entretien dans la porte, la tourner et la soulever pour retirer la porte d'accès d'entretien.

Sécheuse avec lecteur de carte installé :

Une fois le lecteur de carte de débit installé (conformément aux instructions du fabricant du lecteur), on peut entrer au mode de configuration en insérant une carte de configuration manuelle (fournie par le fabricant du lecteur) dans la fente d'insertion de carte. Si on ne possède pas de carte de configuration manuelle, il ne sera possible d'accéder au mode de diagnostic qu'en retirant la porte d'accès d'entretien.

IMPORTANT : Pour accéder au mode de configuration ou de diagnostic, utiliser une clé d'entretien (modèles 9050) pour ouvrir la porte d'accès d'entretien. Si un lecteur de carte est installé, une carte d'entretien est fournie pour accéder aux diagnostics. S'il est impossible d'avoir accès à une clé d'entretien (modèles 9060), le connecteur AA1 doit être enlevé ou le code d'accès d'entretien décrit plus bas doit être utilisé. La console ne doit pas être ouverte avant que l'alimentation de la sécheuse soit débranchée. Pour accéder au connecteur AA1 :

1. Débrancher la sécheuse ou déconnecter la source de courant électrique.
2. Ouvrir la console, retirer la fiche du connecteur AA1 et fermer la console.
3. Brancher la sécheuse ou reconnecter la source de courant électrique.

La sécheuse est maintenant en mode réglage.

Pour saisir le code d'accès d'entretien alternatif et accéder au mode de configuration : Appuyer sur les boutons de gauche, de droite, de gauche, de droite et de droite.

REMARQUE : Il n'est pas nécessaire de configurer la sécheuse avec les codes suivants; la sécheuse est déjà configurée à l'usine. Ces codes peuvent être utilisés pour modifier les réglages, si désiré.

Codes de configuration

- Le bouton PERM. PRESS (pressage permanent) permet de progresser d'un code au suivant.
- Le bouton COTTON/WHITES (coton/blanc) change la valeur du code.
- Le bouton COLORS/DELICATES (couleurs/articles délicats) sélectionnera les options ou les annule.

Le code de configuration est indiqué par un ou deux caractères à gauche. La valeur du code de configuration est indiquée par deux ou trois caractères à droite.

REMARQUE : La première ligne de chaque code indique la valeur par défaut définie en usine.

Code	Explication
6. 06 PRIX D'UN PROGRAMME NORMAL	
6. 06	Lorsque d.xx est réglé sur d.00, cette valeur 6 xx représente le nombre de pièces (pièce 1) nécessaires pour démarrer la sécheuse. Ce nombre peut être réglé de 0 à 39. Le bouton COTTON/WHITES (coton/blancs) permet de modifier cette valeur. 6.06 = 6 pièces = 1,50 \$. (Les modèles 9160 sont par défaut à 6,00.)
6. 01	Lorsque d.xx est réglé sur d.CS, cette valeur 6 xx représente le nombre d'activations par poussée de la glissière à pièces nécessaires pour démarrer la sécheuse. 6.01 serait l'équivalent d'une activation de la glissière à pièces. <ul style="list-style-type: none">• Appuyer une fois sur le bouton PERM. PRESS (pressage permanent) pour passer au code suivant.
7. 05 DURÉE DE SÉCHAGE NORMAL	
7. 05	Lorsqu'elle est réglée sur fonctionnement avec chute de pièce ou lecteur de carte, la durée de séchage est égale à la valeur de temps de séchage multiplié par le prix d'un programme normal. Exemple : 6.06 et 7.05 = (06 x 05 = 30 minutes).
7. 45	Pour le fonctionnement avec glissière à monnaie ou OPL, la valeur est la durée en minutes de séchage. La valeur par défaut en usine est de 45 minutes. Appuyer sur COTTON/WHITES (coton/blancs) pour régler la valeur de 1 à 75 minutes. <ul style="list-style-type: none">• Appuyer une fois sur le bouton PERM. PRESS (pressage permanent) pour passer au code suivant.
8. 00 TYPE DE PRIX DE LA SÉCHEUSE	
8. 00	Programme fixe avec durée supplémentaire. Offert seulement pour une utilisation avec la chute à monnaies ou le lecteur de carte. Pour une description détaillée, consulter la section « Informations générales d'utilisation ».
8. PF	Programme fixe. Pour une description détaillée, consulter la section Informations générales d'utilisation. Utiliser le bouton COLORS/DELICATES (couleurs/articles délicats) pour effectuer cette sélection. <ul style="list-style-type: none">• Appuyer une fois sur le bouton PERM. PRESS (pressage permanent) pour passer au code suivant.
9. 00 OPTION DE COMPTAGE DES PROGRAMMES Cette option est soit sélectionnée « ON », soit non sélectionnée « OFF ».	
9. 00	Non sélectionnée « OFF ».
9. 0C	Sélectionnée « ON »; il n'est pas possible d'annuler cette sélection. <ul style="list-style-type: none">• Appuyer sur le bouton DELICATES (articles délicats) 3 fois de suite pour sélectionner « ON ». Une fois à « ON », il n'est pas possible d'annuler la sélection.• Appuyer une fois sur le bouton PERM. PRESS (pressage permanent) pour passer au code suivant.
1. 00 OPTION DE COMPTAGE DE MONNAIE Cette option est soit sélectionnée « ON », soit non sélectionnée « OFF ».	
1. 00	Non sélectionnée « OFF ».
1. 0C	Sélectionnée : « ON » <ul style="list-style-type: none">• Appuyer sur le bouton COLORS/DELICATES (couleurs/articles délicats) trois fois de suite pour sélectionner « ON » et trois autres fois de suite pour l'annuler (non sélectionnée « OFF »). Le compteur se remet à zéro en passant de l'option « OFF » à l'option « ON ».

INSTRUCTIONS DE CONFIGURATION DES COMMANDES ÉLECTRONIQUES

Code	Explication
1. C0	Sélectionnée « ON »; il n'est pas possible d'annuler cette sélection. <ul style="list-style-type: none"> Pour sélectionner l'option « ON » sans possibilité de l'annuler, sélectionner d'abord « ON », puis, en moins de deux secondes, appuyer deux fois sur COLORS/DELICATES (couleurs/articles délicats) et une fois sur COTTON/WHITES (coton/blanc), puis quitter le mode de configuration. Appuyer une fois sur le bouton PERM. PRESS (pressage permanent) pour passer au code suivant.
2. 00	OPTIONS DE TARIF SPÉCIAL Cette option est soit SÉLECTIONNÉE « ON », SOIT NON SÉLECTIONNÉE « OFF ».
2. 00	Non sélectionnée « OFF ».
2. SP	Sélectionnée « ON ». Appuyer sur le bouton COLORS/DELICATES (couleurs/articles délicats) pour cette sélection. <p>Si l'option de prix spécial est sélectionnée, les codes « 3 » à « 9 » sont accessibles</p> <ul style="list-style-type: none"> Appuyer une fois sur le bouton PERM. PRESS (pressage permanent) pour passer au code suivant. <p>OPTIONS ACCESSIBLES LORSQUE L'OPTION DE TARIF SPÉCIAL EST SÉLECTIONNÉE :</p>
3. 06	TARIF SPÉCIAL D'UN PROGRAMME
3. 06	Représente le nombre de pièces de 0,25 \$ (pièce 1) nécessaires pour mettre en marche la sècheuse; réglable de 0 à 39. (Voir le réglage de b.xx pour la VALEUR DE PIÈCE 1.) Le bouton COTTON/WHITES (coton/blancs) permet de modifier cette valeur entre 0 et 39. Valeur par défaut définie en usine sur 6 pièces de 0,25 \$ = 1,50 \$.
3. 00	Modèle 9160 : Valeur par défaut définie en usine sur 0 pièce. <ul style="list-style-type: none"> Appuyer une fois sur le bouton PERM. PRESS (pressage permanent) pour passer au code suivant.
4. 05	DURÉE DE SÉCHAGE SPÉCIAL
4. 05	Modèle 9150 : Représente le nombre de minutes par pièce de 0,25 \$ (pièce 1). La valeur par défaut en usine est de 5 minutes par pièce. Exemple : 6 pièces de 0,25 \$ x 5 minutes = 30 minutes. En appuyant sur le bouton COTTON/WHITES (coton/blanc), la valeur peut être réglée entre 1 et 75 minutes.
4. 45	Modèle 9160 : Représente la durée du programme fixe en minutes. Par exemple : « 4.45 » = 45 minutes. <ul style="list-style-type: none"> Appuyer une fois sur le bouton PERM. PRESS (pressage permanent) pour passer au code suivant.
5. 00	HORLOGE, MINUTES
5. 00	Réglage des minutes de l'horloge; choisir une valeur entre 0 et 59 minutes en appuyant sur le bouton COTTON/WHITES (coton/blancs). <ul style="list-style-type: none"> Appuyer une fois sur le bouton PERM. PRESS (pressage permanent) pour passer au code suivant.

Code	Explication																								
6. 00	HORLOGE, MINUTES REMARQUES : Utilise le format sur 24 heures.																								
6. 00	Réglage des heures de l'horloge; choisir une valeur entre 0 et 23 heures en appuyant sur le bouton COTTON/WHITES (coton/blancs). <ul style="list-style-type: none"> Appuyer une fois sur le bouton PERM. PRESS (pressage permanent) pour passer au code suivant. 																								
7. 00	HEURE DE DÉBUT DU TARIF SPÉCIAL REMARQUE : Utilise le format sur 24 heures.																								
7. 00	Réglage de l'heure de mise en marche; choisir une valeur entre 0 et 23 heures. Sélectionner l'heure de mise en marche en appuyant sur le bouton COTTON/WHITES (coton/blancs). <ul style="list-style-type: none"> Appuyer une fois sur le bouton PERM. PRESS (pressage permanent) pour passer au code suivant. 																								
8. 00	HEURE DE FIN DU TARIF SPÉCIAL REMARQUE : Utilise le format sur 24 heures.																								
8. 00	Réglage de l'heure d'arrêt; choisir une valeur entre 0 et 23 heures. Sélectionner l'heure d'arrêt en appuyant sur le bouton COTTON/WHITES (coton/blancs). <ul style="list-style-type: none"> Appuyer une fois sur le bouton PERM. PRESS (pressage permanent) pour passer au code suivant. 																								
9. 10	JOUR À TARIF SPÉCIAL																								
9. 10	Représente le jour de la semaine et indique si un prix spécial est sélectionné pour ce jour. Un nombre suivi de « 0 » indique l'absence de sélection pour ce jour particulier (9.10). Un nombre suivi de « S » indique une sélection pour ce jour particulier (9.1S). Les jours de la semaine (1 à 7) peuvent être sélectionnés en appuyant sur la touche COTTON/WHITES (coton/blancs). Appuyer une fois sur le bouton COLORS/DELICATES (couleurs/articles délicats) pour sélectionner le prix spécial pour chaque jour choisi. En quittant le code de configuration « 9 », l'affichage doit indiquer le jour actuel de la semaine :																								
	<table border="1"> <thead> <tr> <th>AFFICHAGE</th> <th>JOUR DE LA SEMAINE</th> <th>CODE (sélectionné)</th> </tr> </thead> <tbody> <tr> <td>10</td> <td>Jour 1 = dimanche</td> <td>1S</td> </tr> <tr> <td>20</td> <td>Jour 2 = lundi</td> <td>2S</td> </tr> <tr> <td>30</td> <td>Jour 3 = mardi</td> <td>3S</td> </tr> <tr> <td>40</td> <td>Jour 4 = mercredi</td> <td>4S</td> </tr> <tr> <td>50</td> <td>Jour 5 = jeudi</td> <td>5S</td> </tr> <tr> <td>60</td> <td>Jour 6 = vendredi</td> <td>6S</td> </tr> <tr> <td>70</td> <td>Jour 7 = samedi</td> <td>7S</td> </tr> </tbody> </table>	AFFICHAGE	JOUR DE LA SEMAINE	CODE (sélectionné)	10	Jour 1 = dimanche	1S	20	Jour 2 = lundi	2S	30	Jour 3 = mardi	3S	40	Jour 4 = mercredi	4S	50	Jour 5 = jeudi	5S	60	Jour 6 = vendredi	6S	70	Jour 7 = samedi	7S
AFFICHAGE	JOUR DE LA SEMAINE	CODE (sélectionné)																							
10	Jour 1 = dimanche	1S																							
20	Jour 2 = lundi	2S																							
30	Jour 3 = mardi	3S																							
40	Jour 4 = mercredi	4S																							
50	Jour 5 = jeudi	5S																							
60	Jour 6 = vendredi	6S																							
70	Jour 7 = samedi	7S																							
	<ul style="list-style-type: none"> Appuyer une fois sur le bouton PERM. PRESS (pressage permanent) pour passer au code suivant. 																								
A. 00	OPTION D'AFFICHAGE DU COFFRE Cette option est soit SÉLECTIONNÉE « ON » ou NON SÉLECTIONNÉE « OFF ».																								
A. 00	Non sélectionnée « OFF ».																								

INSTRUCTIONS DE CONFIGURATION DES COMMANDES ÉLECTRONIQUES

Code	Explication
A. SC	Sélectionnée « ON ». Appuyer sur le bouton COLORS/DELICATES (couleurs/articles délicats) pour cette sélection. Lorsque cette option est sélectionnée, le compteur de monnaie ou de programmes peut être affiché (si l'option de comptage est sélectionnée) lorsque la boîte à monnaie est retirée. <ul style="list-style-type: none"> • Appuyer une fois sur le bouton PERM. PRESS (pressage permanent) pour passer au code suivant.

b. 05	VALEUR DE LA PIÈCE 1
b. 05	Représente la valeur de la pièce 1 en nombre de pièces de 0,05 \$: 05 = 0,25 \$ (par défaut pour les modèles 9150 et 9160). <ul style="list-style-type: none"> • En appuyant sur le bouton COTTON/WHITES (coton/blancs), sélectionner entre 1 et 199 pièces de 0,05 \$. • Appuyer une fois sur le bouton PERM. PRESS (pressage permanent) pour passer au code suivant.
b. 30	Avec la glissière à pièces activée, ceci représente le prix de vente total en pièces de 0,05 \$. Exemple : b.30 équivaut à 1,50 \$.

Code	Explication
C. 20	VALEUR DE LA PIÈCE 2

b. 20	Représente la valeur de la pièce 2 en nombre de pièces de 0,05 \$: 20 = 1,00 \$. <ul style="list-style-type: none"> • En appuyant sur le bouton COTTON/WHITES (coton/blancs), sélectionner entre 1 et 199 pièces de 0,05 \$.
C. 05	Lorsqu'un lecteur de carte de génération 2 est utilisé, ce code représente la valeur de la durée supplémentaire en pièces de 0,05 \$. C.05 = 0,25 \$. <ul style="list-style-type: none"> • Appuyer une fois sur le bouton PERM. PRESS (pressage permanent) pour passer au code suivant.

d. 00	OPTION GLISSIÈRE À PIÈCES Cette option est soit sélectionnée « ON », soit non sélectionnée « OFF ». Le remplacement du boîtier du compteur est nécessaire pour le montage du dispositif de la glissière de pièces.
-------	--

d. 00	Non sélectionnée « OFF ».
-------	---------------------------

d. SC	Sélectionnée « ON ». <p>REMARQUE : Cette option doit être définie à « 00 » à moins que le boîtier du compteur ait été modifié pour accepter le dispositif de la glissière de pièces.</p> <p>Appuyer sur le bouton COLORS/DELICATES (couleurs/articles délicats) trois fois de suite pour cette sélection. Une fois le mode glissière à pièces sélectionné, configurer « b. » sur la valeur d'une descente en pièces de 0,05 \$. Réglez les codes « 6.XX » (REGULAR CYCLE PRICE [prix du programme normal]) et « 3.XX » (SPECIAL CYCLE PRICE [prix du programme spécial]) sur le nombre de descentes de pièces.</p> <p>REMARQUE : Si l'installateur règle « CS » sur un modèle à glissière de pièces, les pièces ne sont pas enregistrées sur la sècheuse.</p> <ul style="list-style-type: none"> • Appuyer une fois sur le bouton PERM. PRESS (pressage permanent) pour passer au code suivant.
-------	--

E. 00	OPTION NOMBRE DE PIÈCES Cette option est soit sélectionnée « ON » ou non sélectionnée « OFF ». Avec cette option, l'affichage client indique le nombre de pièces (pièce 1) à insérer plutôt que le montant en dollars et cents.
-------	---

Code	Explication
E. 00	Non sélectionnée « OFF ».
E. AC	Sélectionnée « ON ». Appuyer sur le bouton COLORS/DELICATES (couleurs/articles délicats) trois fois de suite pour cette sélection. MODÈLES 9160 SEULEMENT : Dans le mode Débit amélioré, cette option n'est pas accessible. <ul style="list-style-type: none"> • Appuyer une fois sur le bouton PERM. PRESS (pressage permanent) pour passer au code suivant.

J. Cd	MODE DE PAIEMENT (OPTIONS PIÈCES/DÉBIT)
-------	---

J. Cd	Modes pièces et carte de débit sélectionnés. Appuyer sur le bouton COLORS/DELICATES (couleurs/articles délicats) trois fois de suite pour modifier cette sélection.
J. C_	Mode pièces sélectionné, mode débit désactivé. Appuyer sur le bouton COLORS/DELICATES (couleurs/articles délicats) trois fois de suite pour modifier cette sélection.
J. _d	Mode carte de débit sélectionnée, mode pièces désactivé (par défaut sur les modèles 9160). Cette sélection doit être utilisée pour le fonctionnement gratuit. Appuyer sur le bouton COLORS/DELICATES (couleurs/articles délicats) trois fois de suite pour modifier cette sélection.
J. Ed	L'option Enhanced Debit (Ed) (débit amélioré) est automatiquement sélectionnée lorsqu'un lecteur de cartes de 2 ^e génération est installé dans la sècheuse. L'option « Ed » ne peut pas être sélectionnée ou désactivée manuellement. <ul style="list-style-type: none"> • Appuyer une fois sur le bouton PERM. PRESS (pressage permanent) pour passer au code suivant.

L. 00	OPTION DE SUPPRESSION DU PRIX Cette option est soit sélectionnée « ON » ou non sélectionnée « OFF ». Cette option indique sur l'afficheur client « ADD » (introduire) ou « AVAILABLE » (possible) au lieu du montant à ajouter (utilisé principalement avec les installations à carte de débit).
-------	--

L. 00	Non sélectionnée « OFF ».
-------	---------------------------

L. PS	Sélectionnée « ON ». Appuyer sur le bouton COLORS/DELICATES (couleurs/articles délicats) pour cette sélection. <ul style="list-style-type: none"> • Appuyer une fois sur le bouton PERM. PRESS (pressage permanent) pour passer au code suivant.
-------	---

n. CE	OPTION D'ANNULATION D'AVOIR Cette option est soit sélectionnée « ON », soit non sélectionnée « OFF ». Lorsque cette option est sélectionnée, l'argent mémorisé en avoir pendant 30 minutes sans ajout supplémentaire ou activités de programme est effacé.
-------	--

n. 00	Non sélectionnée « OFF ».
-------	---------------------------

n. CE	Sélectionnée « ON ». <ul style="list-style-type: none"> • Appuyer sur le bouton COLORS/DELICATES (couleurs/articles délicats) une fois pour modifier cette sélection. • Appuyer une fois sur le bouton PERM. PRESS (pressage permanent) pour passer au code suivant.
-------	--

INSTRUCTIONS DE CONFIGURATION DES COMMANDES ÉLECTRONIQUES

Code Explication

U. 00	COMPENSATION PAR INCRÉMENTS EN CENTS
U. 00	Représente la compensation du prix par incréments en cents utilisée dans les modèles 9160 de 2 ^e génération (débit amélioré). Le bouton COTTON/WHITÉS (coton/blancs) permet de choisir une valeur entre 0 et 4 cents. <ul style="list-style-type: none"> Appuyer une fois sur le bouton PERM. PRESS (pressage permanent) pour passer au code suivant.

Si le compteur de programmes (9 0C) est sélectionné, le calcul du total est le suivant :

1 00	Programmes en CENTAINES	1 02 = 200
2 00	Programmes en UNITÉS	2 25 = 25
TOTAL DE PROGRAMMES =		225

AFFICHAGE SEULEMENT, ne peut être effacé.

- Appuyer une fois sur le bouton PERM. PRESS (pressage permanent) pour passer au code suivant.

Si le compteur de monnaie (1.0C ou 1.C0) est sélectionné, le calcul du total est le suivant :

3 00	CENTAINES de dollars	3 01 = 100,00 \$
4 00	Dollars en UNITÉS	4 68 = 68,00 \$
5 00	Valeur en MONNAIE	5 75 = 00,75 \$
TOTAL =		168,75 \$

FIN DES OPÉRATIONS DE CONFIGURATION

QUITTER LE MODE DE CONFIGURATION

- Fermer la porte d'accès d'entretien.
- Débrancher l'alimentation de la sècheuse avant de réinstaller le connecteur AA1, s'il a été enlevé.
- Retirer la carte de configuration manuelle.
- Attendre deux minutes sans activer aucune des entrées de la sècheuse.
- Débrancher, puis rebrancher l'alimentation.

Codes de diagnostic

Si en accédant au mode de configuration, l'une des situations suivantes s'est produite, le code de diagnostic correspondant est affiché.

Affichage de la sècheuse	Explication
d 5	Pièce 1 bloquée ou défaillance du circuit de commande de chute de pièce (reconnaissance des pièces et affichage client désactivés tant que le blocage persiste).
d 9	Tension détectée inférieure à 90 V CA pendant 8 secondes.
d 13	Pièce 2 bloquée ou défaillance du circuit de commande de chute de pièce (reconnaissance des pièces et affichage client désactivés tant que le blocage persiste).
d 16	Aucune réception de communications du lecteur de cartes de débit installé en mode Débit amélioré (génération 2).
F 01	Erreur du circuit de commande du moteur de la sècheuse (programmes et affichage désactivés jusqu'à la réinitialisation manuelle du code de diagnostic). Le module de commande ne sait pas si le relais est défectueux (collé), si le circuit d'alimentation du relais est défaillant (en court-circuit, provoquant le blocage du relais du moteur en position active) ou si le circuit de rétroaction du relais est endommagé.
F 22	Thermistance de décharge ouverte, la température chute en dessous de 18 °F (-8 °C) (> 50 kΩ) pendant 1 minute en mode « Run » (en marche), ou immédiatement en mode Factory Diagnostic (diagnostic en usine).
F 23	Thermistance de décharge en court-circuit, température au-dessus de 250 °F (121 °C) (< 500 kΩ) pendant 1 minute en mode « Run » (en marche), ou immédiatement en mode Factory Diagnostic (diagnostic en usine).
F 70	L'UI ne reçoit pas de communication du MCC (programmes et affichage désactivés tant que l'erreur persiste ou n'est pas réinitialisée manuellement).
F 71	Le MCC ne reçoit pas de communication de l'IU (programmes et affichage désactivés tant que l'erreur persiste ou n'est pas réinitialisée manuellement).
F 73	Microprocesseur IU incapable de lire ou de vérifier l'EEPROM (programmes et affichage désactivés jusqu'à la réinitialisation manuelle du code de diagnostic).
F 74	La mémoire EEPROM de l'UI a une anomalie CRC (programmes et affichage désactivés jusqu'à la réinitialisation manuelle du code de diagnostic).

INSTRUCTIONS DE CONFIGURATION DES COMMANDES ÉLECTRONIQUES

Mode de diagnostic de la sècheuse

Pour accéder à ce mode, appuyer sur la touche COLORS/ DELICATES (couleurs/articles délicats) pendant une seconde dans l'un des codes de configuration 6.xx ou 7.xx ou lorsqu'un code de diagnostic est affiché. Les codes de diagnostic sont effacés à l'accès et tous les segments de l'afficheur clignotent. Si un code de diagnostic persiste, il doit être corrigé avant l'accès au programme de diagnostic.

Tous les modèles :

Pendant que tous les segments de l'affichage clignotent, appuyer sur la touche PERM. PRESS (pressage permanent) pour démarrer le programme de diagnostic. Le programme est constitué d'une période de chauffage de 7 minutes et d'une période de refroidissement de une minute.

Appuyer sur la touche COTTON/WHITES (coton/blancs) pour augmenter les minutes du programme de diagnostic à 75, puis revenir jusqu'à 2 minutes. Appuyer sur la touche COULEURS/ DELICATES (couleurs/articles délicats) pour annuler ce programme et quitter le mode de diagnostic.

Mode d'aide de la sècheuse

Le mode d'aide sur la sècheuse est accessible en appuyant sur la touche COTTON/WHITES (coton/blancs) dans l'option de tarification spéciale étape 2.XX. Dans le mode d'aide, la version du logiciel est affichée. Le mode d'aide est avancé en appuyant sur le bouton PERM. PRESS (pressage permanent). Consulter le sous-menu du mode d'aide suivant pour connaître l'ordre d'affichage des éléments. Appuyer sur le bouton COTTON/WHITES (coton/blancs) à tout moment pour quitter le mode d'aide.

Codes d'aide

Code d'aide	Description
71	Message d'interrogation du programme de carte de débit de génération 2 hors séquence.
74	Message de solde restant sur la carte de débit de génération 2 hors séquence.
75	Message de solde sur la nouvelle carte de débit de génération 2 hors séquence.
88	État de messagerie incorrect trouvé dans la routine comm_suprv () de communications d'acquisition de données.

Menu secondaire du mode Aide

Étape	Indication à l'écran	Explication
1	1h.XX	Code d'aide 1, où XX est le numéro du code d'aide. *
2	2h.XX	Code d'aide 2, où XX est le numéro du code d'aide. *
3	3h.XX	Code d'aide 3, où XX est le numéro du code d'aide. *
4	1.X##	Code d'historique des erreurs 1, où X est le code F ou d, et ## est le numéro du code. **
5	2.X##	Code d'historique des erreurs 2, où X est le code F ou d, et ## est le numéro du code. **
6	3.X##	Code d'historique des erreurs 3, où X est le code F ou d, et ## est le numéro du code. **
7	4.X##	Code d'historique des erreurs 4, où X est le code F ou d, et ## est le numéro du code. **
8	SC.XX	Révision du logiciel du MCC, où XX est le numéro de révision du logiciel.
9	SU.XX	Révision du logiciel IU, où XX est le numéro du logiciel.
10	EU.XX	Révision EEPROM IU, où XX est le numéro de EEPROM.

* Pour effacer les 3 codes d'aide, appuyer sur le bouton COLORS/DELICATES (couleurs/articles délicats).

** Les erreurs affichées dans cette section sont les erreurs d'historique survenues dans la sècheuse (pas nécessairement une erreur en cours). L'erreur actuelle est affichée dans la FONCTION MANUELLE DES TOUCHES DANS LE MODE SECONDAIRE DE DIAGNOSTIC.

Dans le mode d'aide, d'autres affichages reflètent l'état de diverses entrées et sorties de la manière suivante :

Toutes les sècheuses

*faible tension présente (sous 90 V CA)
 °(cercle au-dessus du chiffre). Porte fermée
 OR.moteur capté en marche
 AIRrelais de valve de chauffage/gaz en marche
 FLUFF (duvetage).relais du moteur en marche

GARANTIE LIMITÉE POUR LES PRODUITS DE BUANDERIE COMMERCIAUX WHIRLPOOL®

SI VOUS AVEZ BESOIN DE SERVICE :

Communiquer avec votre distributeur de produits de buanderie commerciaux Whirlpool® autorisé. Pour savoir où se trouve le distributeur de produits de buanderie commerciaux Whirlpool® autorisé le plus près de chez vous, visiter le www.whirlpoolcommerciallaundry.com.

Pour les correspondances écrites :

Whirlpool® Commercial Laundry Service Department
2000 N M 63
Benton Harbor, Michigan 49022-2632 USA

GARANTIE LIMITÉE DE 90 JOURS

CE QUI EST COUVERT

GARANTIE LIMITÉE DE 90 JOURS (PIÈCES ET MAIN-D'OEUVRE)

Pendant 90 jours à compter de la date d'achat d'origine, lorsque cet appareil ménager à usage commercial est installé, entretenu et utilisé conformément aux instructions jointes à ou fournies avec le produit, Whirlpool Corporation (ci-après désignée "Whirlpool") paiera pour la main d'œuvre et les pièces de rechange spécifiées par l'usine pour corriger les vices de matériaux ou de fabrication qui existaient déjà lorsque cet appareil ménager à usage commercial a été acheté.

GARANTIE LIMITÉE DE DEUX ANS (PIÈCES UNIQUEMENT)

Pendant les deux premières années à compter de la date d'achat d'origine, lorsque cet appareil ménager à usage commercial est installé, utilisé et entretenu conformément aux instructions jointes à ou fournies avec le produit, Whirlpool paiera pour les pièces de rechange spécifiées par l'usine pour corriger les vices de matériaux ou de fabrication qui existaient déjà lorsque cet appareil ménager à usage commercial a été acheté.

VOTRE SEUL ET EXCLUSIF RECOURS DANS LE CADRE DE LA PRÉSENTE GARANTIE LIMITÉE CONSISTE EN LA RÉPARATION PRÉVUE CI-DESSUS. Whirlpool recommande que l'utilisateur emploie les services d'un dépanneur "intra-réseau" pour diagnostiquer la panne et réparer le produit de buanderie à usage commercial concerné. Dans le cadre de la présente garantie, Whirlpool ne sera pas responsable de l'octroi de pièces de rechange supplémentaires suite à un diagnostic erroné ou à une réparation effectuée par un dépanneur "hors réseau". Cette garantie limitée est valide aux États-Unis ou au Canada et s'applique exclusivement lorsque l'appareil commercial est utilisé dans le pays où il a été acheté. La présente garantie limitée est valable à compter de la date d'achat initial par le consommateur. Une preuve de la date d'achat initial est exigée pour obtenir un dépannage dans le cadre de la présente garantie limitée.

CE QUI N'EST PAS COUVERT

1. Tous les autres coûts, y compris les frais de main-d'œuvre, de transport, d'expédition ou de droits de douane pour les pièces couvertes.
 2. Les pièces de rechange spécifiées par l'usine lorsque cet appareil ménager à usage commercial est utilisé à des fins autres qu'un usage commercial normal ou lorsque les instructions d'installation ou les instructions fournies à l'opérateur ou l'utilisateur ne sont pas respectées.
 3. Les visites de service pour rectifier l'installation de l'appareil ménager à usage commercial, montrer à l'utilisateur comment utiliser l'appareil ménager à usage commercial, remplacer ou réparer des fusibles ou rectifier le câblage ou la plomberie externe.
 4. Les interventions de dépannage pour réparer ou remplacer les ampoules électriques, filtres à air ou filtres à eau de l'appareil. Les pièces consommables ne sont pas couvertes par la garantie.
 5. Les dommages imputables à : mauvaise manipulation du produit lors de la livraison, vol, accident, modification, usage impropre ou abusif, incendie, inondation, actes de Dieu, installation fautive ou installation non conforme aux codes locaux d'électricité ou de plomberie ou l'utilisation de produits non approuvés par Whirlpool.
 6. Enlèvement et livraison. Cet appareil ménager à usage commercial est conçu pour être réparé sur site.
 7. Les réparations aux pièces ou systèmes résultant d'une modification non autorisée faite à l'appareil commercial.
 8. L'enlèvement et la réinstallation de votre appareil commercial si celui-ci est installé dans un endroit inaccessible ou n'est pas installé conformément aux instructions d'installation fournies.
 9. Dommages entraînés par l'exposition du produit à des produits chimiques.
 10. Des modifications apportées à l'immeuble, à la pièce ou aux lieux afin de permettre à l'appareil ménager à usage commercial de fonctionner correctement.
 11. Les pièces de rechange spécifiées par l'usine pour les appareils commerciaux dont les numéros de série et de modèle originaux ont été enlevés, modifiés ou qui ne peuvent pas être facilement identifiés.
 12. La décoloration, la rouille ou l'oxydation des surfaces en acier inoxydable.
 13. Les pièces de rechange spécifiées par l'usine suite à un diagnostic erroné ou à une réparation effectuée par un service de dépannage "hors réseau".
- Le coût d'une réparation ou d'un remplacement dans le cadre de ces circonstances exclues est à la charge du client.**

CLAUSE D'EXONÉRATION DE RESPONSABILITÉ AU TITRE DES GARANTIES IMPLICITES

LES GARANTIES IMPLICITES, Y COMPRIS LES GARANTIES IMPLICITES DE QUALITÉ MARCHANDE OU D'APTITUDE À UN USAGE PARTICULIER, SONT LIMITÉES À DEUX ANS OU À LA PLUS COURTE PÉRIODE AUTORISÉE PAR LA LOI. Certains États et certaines provinces ne permettent pas de limitation sur la durée des garanties implicites, de qualité marchande ou d'aptitude à un usage particulier, de sorte que la limitation ci-dessus peut ne pas être applicable dans votre cas. Cette garantie vous confère des droits juridiques spécifiques et vous pouvez également jouir d'autres droits qui peuvent varier d'une juridiction à l'autre.

EXONÉRATION DE RESPONSABILITÉ DANS LES DOMAINES NON COUVERTS PAR LA GARANTIE

Whirlpool décline toute responsabilité au titre de la qualité, de la durabilité ou en cas de dépannage ou de réparation nécessaire sur cet appareil ménager autre que les responsabilités énoncées dans la présente garantie. Si vous souhaitez une garantie plus étendue ou plus complète que la garantie limitée fournie avec ce gros appareil ménager, adressez-vous à Whirlpool ou à votre détaillant pour obtenir les modalités d'achat d'une garantie étendue.

LIMITATION DES RECOURS; EXCLUSION DES DOMMAGES FORTUITS OU INDIRECTS

VOTRE SEUL ET EXCLUSIF RECOURS DANS LE CADRE DE LA PRÉSENTE GARANTIE LIMITÉE CONSISTE EN LA RÉPARATION PRÉVUE CI-DESSUS. WHIRLPOOL NE SERA PAS TENUE RESPONSABLE DES DOMMAGES DIRECTS OU INDIRECTS. Certains États et certaines provinces ne permettent pas l'exclusion ou la limitation des dommages fortuits ou indirects de sorte que ces limitations et exclusions peuvent ne pas être applicables dans votre cas. Cette garantie vous confère des droits juridiques spécifiques et vous pouvez également jouir d'autres droits qui peuvent varier d'une juridiction à l'autre.

