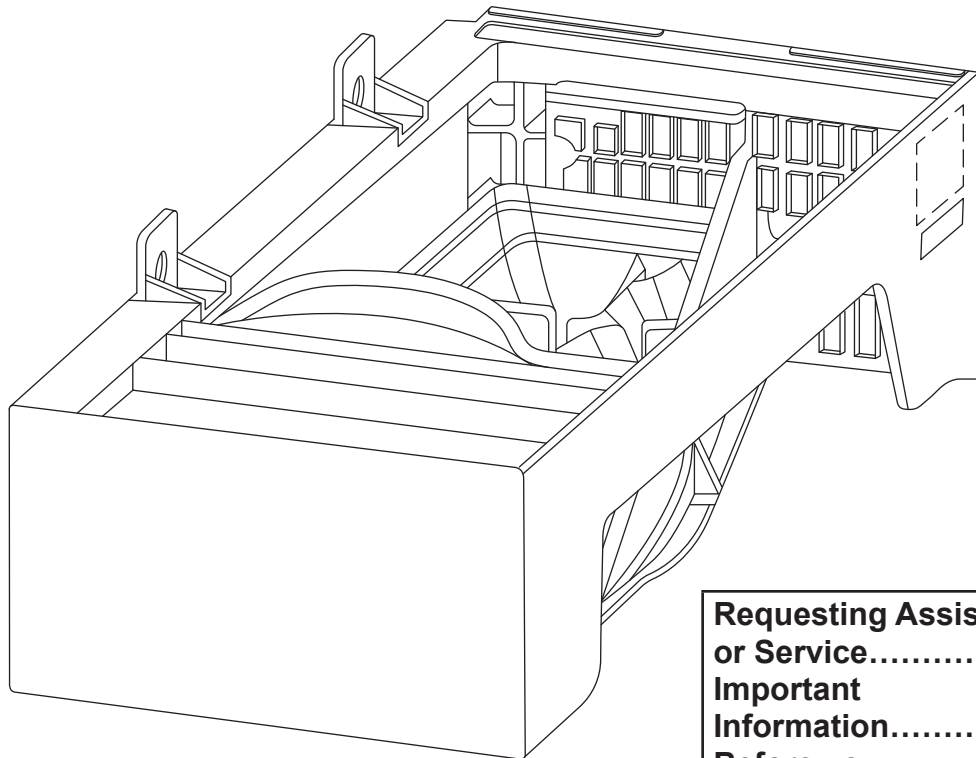




Installation

G U I D E



STAND ALONE ICE MAKER

Requesting Assistance or Service.....	2
Important Information.....	3
Before you Begin.....	4
Installing the Ice Maker	5
Mounting the Ice Maker.....	7
Connect the Water Supply.....	10
Starting the Ice Maker.....	13
Troubleshooting.....	14
Service Sheet	15

Table of Contents

	Page		Page
Requesting Assistance or Service	2	Connect the Water Supply	10
Important Information	3	Connecting the power/ leveling the unit	12
Before you Begin	4	Starting the Ice Maker	13
Tools	4	Troubleshooting	14
Installation notes	4	Operational notes	14
Components	4	Troubleshooting chart	14
Installing the Ice Maker	5	Service Sheet	15
Making preparations	5	Specification	15
Mounting the Ice Maker	7	Service procedure	15

Requesting Assistance or Service

if you need assistance contact your dealer,
or call the Whirlpool customer assistance
centre toll-free, **1-800-253-1301**, 24 hours a day.

Important Information

The following information is used throughout this installation Guide. Read it carefully so you are familiar with it.

Your safety and the safety of others are very important.

We have provided many important safety messages in this manual and on your appliance. Always read and obey all safety messages.



This is the safety alert symbol.

This symbol alerts you to potential hazards that can kill or hurt you and others.

All safety messages will follow the safety alert symbol and either the word "DANGER" or "WARNING."

These words mean:

⚠ DANGER

You can be killed or seriously injured if you don't immediately follow instructions.

⚠ WARNING

You can be killed or seriously injured if you don't follow instructions.

All safety messages will tell you what the potential hazard is, tell you how to reduce the chance of injury, and tell you what can happen if the instructions are not followed.

- This Installation Guide gives you complete instructions on how to install the Ice Maker Kit in your ice maker-freezer and connect a water line to it. Please read the guide carefully and follow the instructions exactly as described. Also make sure that you observe all of the "safety" instructions.
- This kit is designed so that almost anyone can install it; however, a certain amount of mechanical ability is required.

CUSTOMER INSTALLATION IS NOT WARRANTED BY THE REFRIGERATOR OR ICE MAKER MANUFACTURER.

Before You Begin

Tools

Gather required tools and parts before starting installation. Read and follow the instructions provided with any tools listed here.

1. Regular screwdriver
2. Phillips screwdriver
3. 7/16" and 1/2" open-end wrenches (or an adjustable wrench)
4. Pliers
5. 1/4" nut driver
6. Hand drill with 1/4" drill bit
7. Small hand level (optional)
8. Small 3/4" round file
9. Tubing cutter
10. Center punch
11. Hammer
12. Scissors
13. Ruler
14. Step stool (optional)

Components

Remove the contents from the shipping carton and set them on a table where they can be easily identified and located.

Do not discard any of the packing material until all required parts are identified.

Installation notes

For each set of steps shown, refer to the diagram immediately beside or below the text for clarification. Some illustrations also contain legends. Legends are labelled as A, B, or C and are clearly referenced in each step.

Install the parts as instructed in each step and corresponding illustration.

QTY	DESCRIPTION
1	Ice Maker Top Mount (TM)
1	Pan Ice Cube
1	Wire shelve Freezer Compartment (FC)
1	Ice Maker Cover (on Bottom-Mount)
1	Fill Tube Extension TM
1	Water Fill Tube Bottom Mount (BM)
3	7-18 X .500 MHW TLR LSER
1	Instruction Booklet TM/BM (New)
1	Warranty Letter (2206023)

Installing the Ice Maker

Making preparations

⚠ WARNING

Excessive Weight Hazard

Use two or more people to move and install ice maker.
Failure to do so can result in back or other injury.

1. Pull the ice maker away from the wall so that you can easily access the rear panel.

Important : Make sure to protect the floor from any damage.

⚠ WARNING

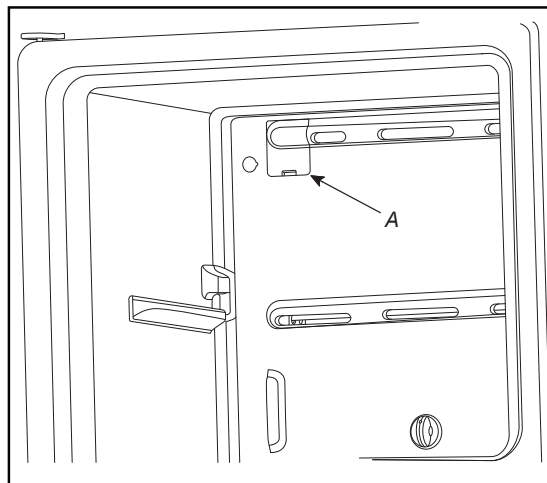


Electrical Shock Hazard

Disconnect power before installing ice maker.
Failure to do so can result in death or electrical shock.

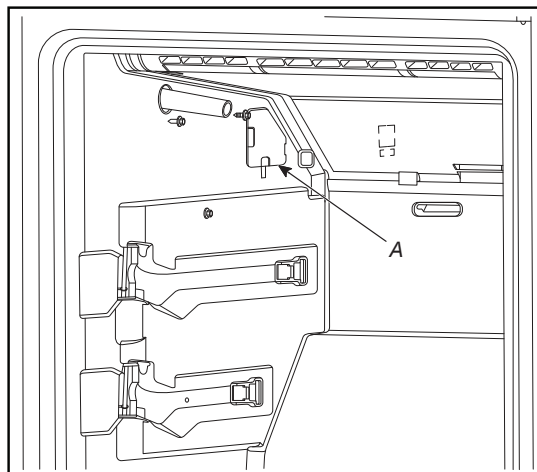
2. Unplug ice maker on disconnect power.
3. Open the freezer door and remove all of the food items from the freezer compartment.

4. Ice maker connector and tube cover is located inside the freezer compartment.



A. Connector & tube cover

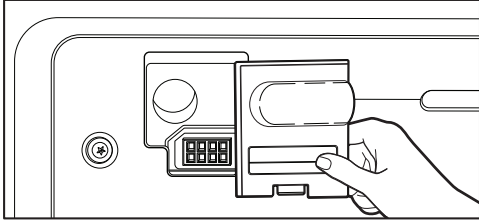
Top Mount models



A. Connector

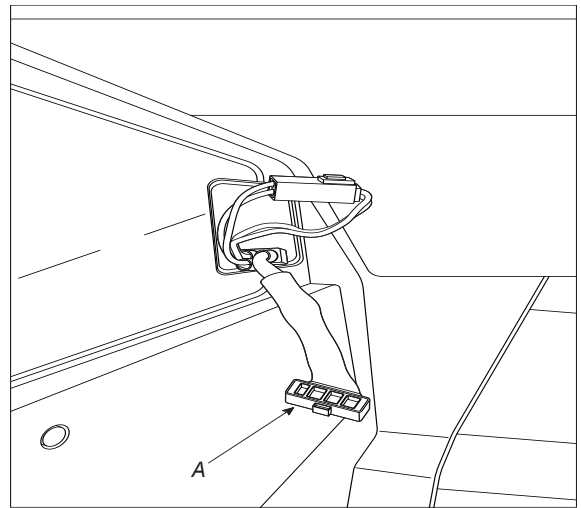
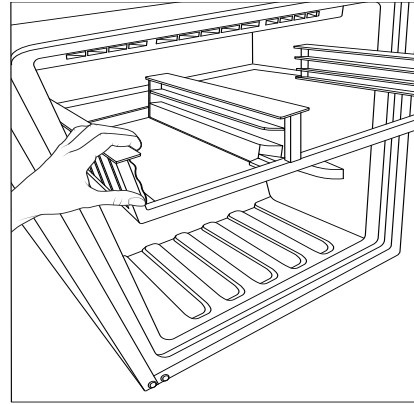
Bottom Mount models

5. Remove the ice maker connector and tube cover.



Top Mount models

6. Remove the shelf from freezer compartment. Ice maker connector is located on the left hand side as shown in the illustration..

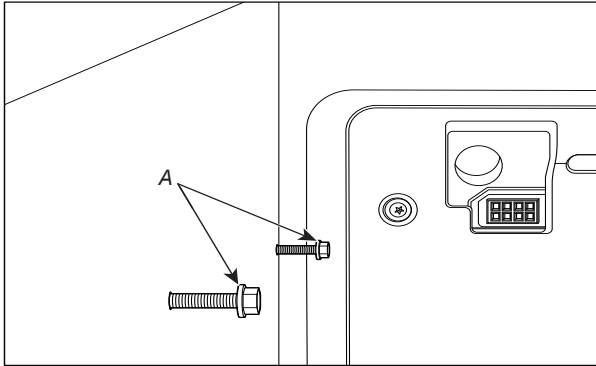


A. Ice maker connector

Bottom Mount models

Mounting the Ice Maker

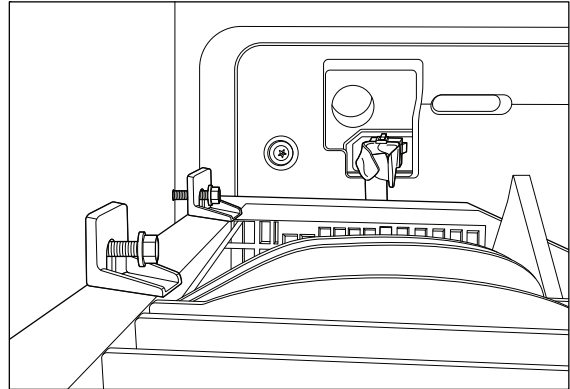
1. Base screws are provided in freezer compartment to install the ice maker.



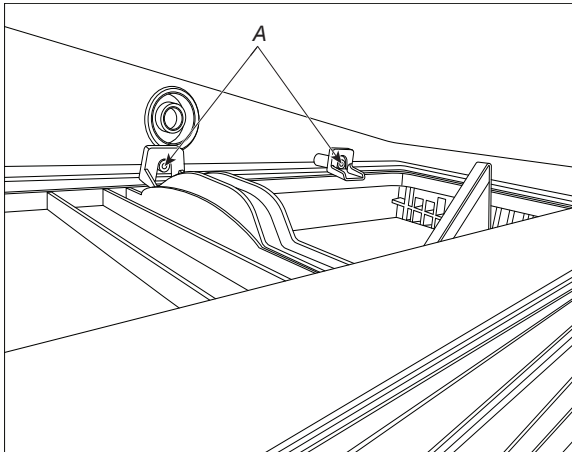
A. Base Screws

Top Mount models

2. Align the two holes on ice maker with the base screws. Hang the ice maker on the two base screws.

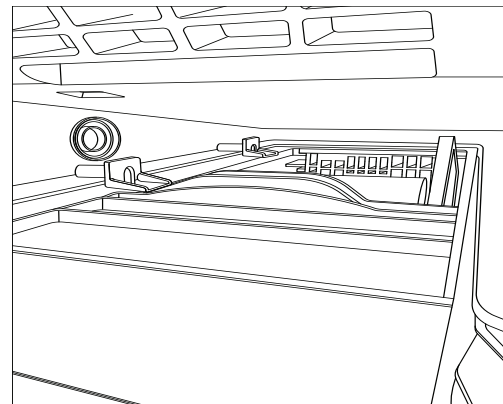


Top Mount models



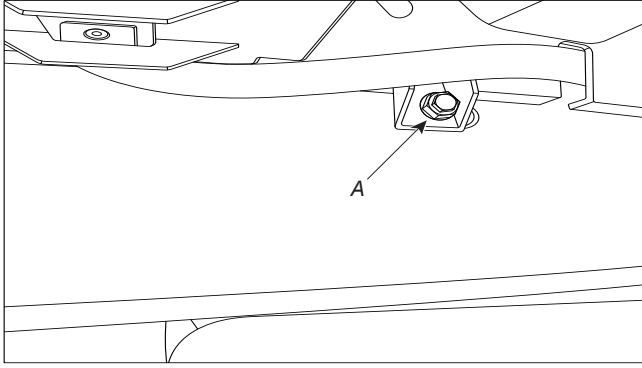
A. Base Screws

Bottom Mount models



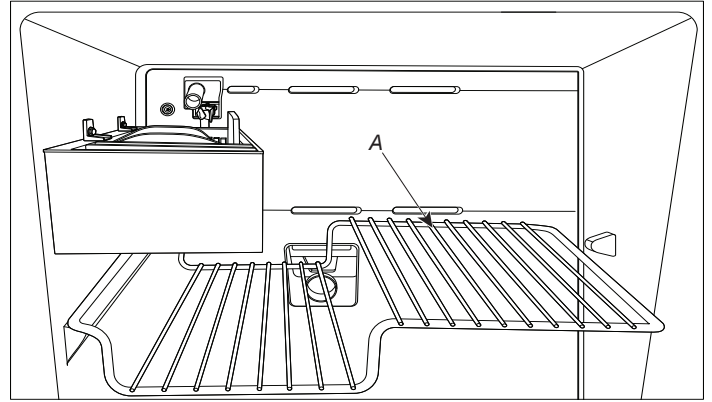
Bottom Mount models

3. Install the screw in bracket mounting hole as shown in the figure.

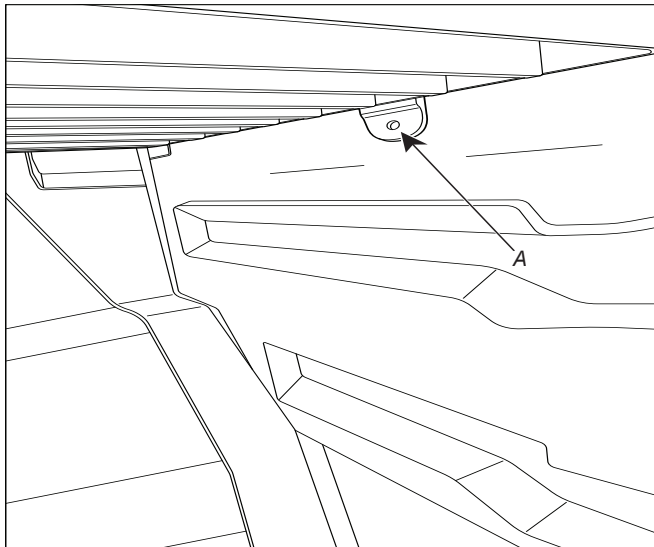


A. Bracket mounting hole
Top Mount models

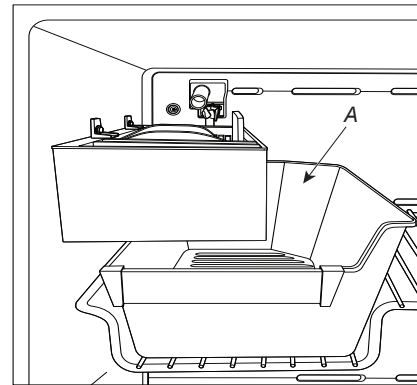
4. Install the wire shelf as shown in figure.
5. Install the ice maker pan as shown in the figure.



A. Wire shelf

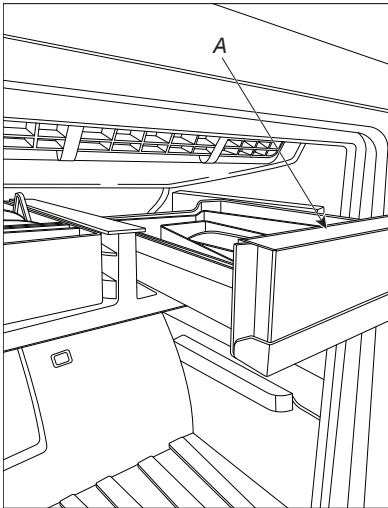


A. Bracket mounting hole
Bottom Mount models



A. Ice maker pan
Top Mount models

6. Install the bin as shown in the figure.

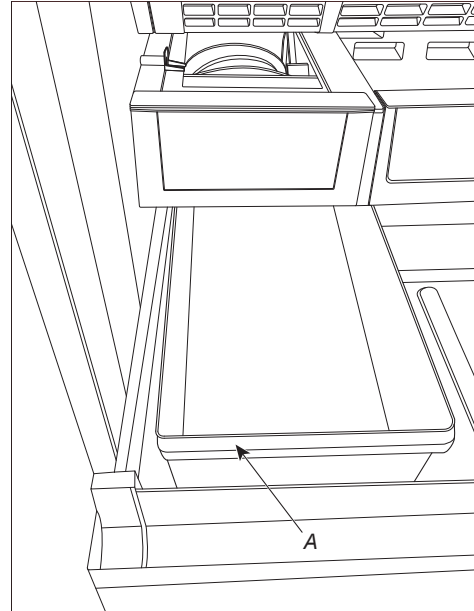


A. Ice maker bin

Bottom Mount models

7. Install the ice maker pan as shown in the figure.

NOTE: Check that ice maker pan is correctly located below the ice maker.



A. Ice maker pan

Bottom Mount models

Connect the Water Supply

Read all directions before you begin.

IMPORTANT:

- Connect to potable water supply only.

Do not use with water that is microbiologically unsafe or of unknown quality without adequate disinfection before or after the system. Systems certified for cyst reduction may be used on disinfected waters that may contain filterable cysts.

- Plumbing must be installed in accordance with the International Plumbing Code and any local codes and ordinances.
- Copper and PEX tubing connections from the household water line to the refrigerator are acceptable and will help avoid off-taste or odor in your ice or water. Check for leaks.
- If PEX tubing is used instead of copper, we recommend the following part numbers: W10505928RP (7 ft [2.14 m] jacketed PEX), 8212547RP (5 ft [1.52 m] PEX), or W10267701RP (25 ft [7.62 m] PEX).
- Install tubing only in areas where temperatures will remain above freezing.

Tools Needed:

Gather the required tools and parts before starting installation.

- Flat-blade screwdriver
- 7/16" and 1/2" open-end wrenches or 2 adjustable wrenches
- 1/4" nut driver

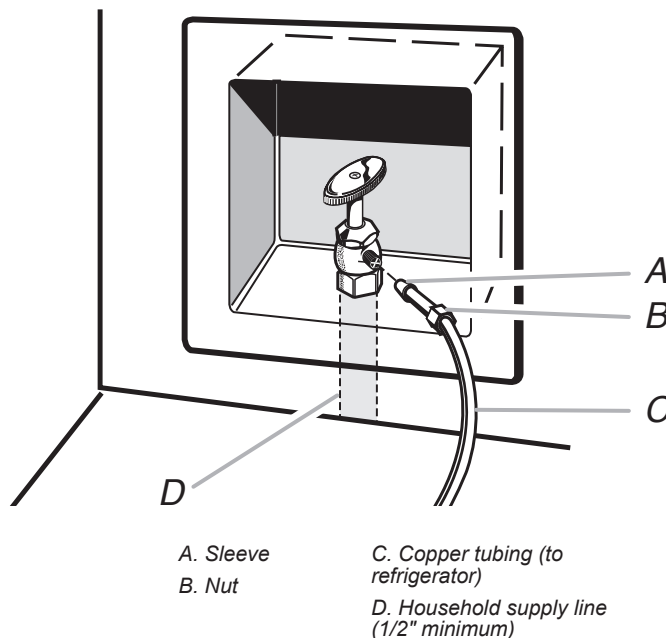
NOTE: Do not use a piercing-type or 3/16" (4.76 mm) saddle valve, which reduces water flow and clogs easier.

Connect to Water Line

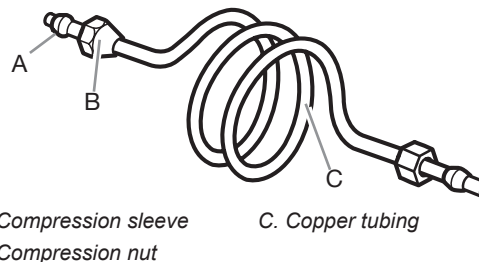
IMPORTANT: If you have turned the refrigerator on before the water was connected, turn off the ice maker.

1. Unplug refrigerator or disconnect power.
2. Turn off main water supply. Turn on nearest faucet long enough to reduce water pressure in the water line.
1. Use a quarter-turn shut-off valve or the equivalent, served by a 1/2" household supply line.

NOTE: To allow sufficient water flow to the refrigerator, a minimum 1/2" (12.7 mm) size household supply line is recommended.



- Now you are ready to connect the copper tubing to the shut-off valve. Use 1/4" (6.35 mm) O.D. (outside diameter) soft copper tubing to connect the shut-off valve and the refrigerator.
- Ensure that you have the proper length needed for the job. Be sure both ends of the copper tubing are cut square.
- Slip compression sleeve and compression nut onto copper tubing as shown. Insert end of tubing into outlet end squarely as far as it will go. Screw compression nut onto outlet end with adjustable wrench. Do not overtighten.



2. Place the free end of the tubing into a container or sink and turn on main water supply to flush out tubing until water is clear. Turn off shut-off valve on the water pipe.

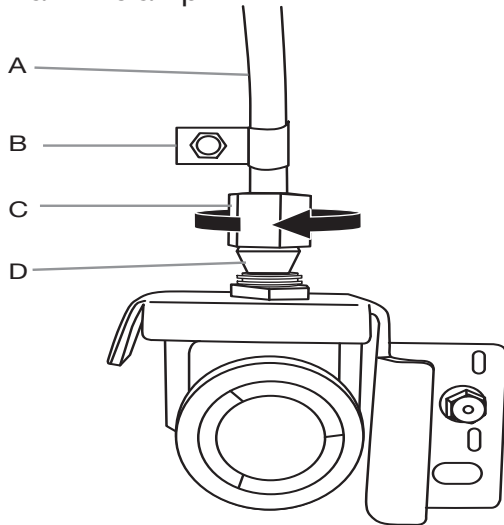
NOTE: Always drain the water line before making the final connection to the inlet of the water valve to avoid possible water valve malfunction.

3. Bend the copper tubing to meet the water line inlet, located on the back of the refrigerator cabinet as shown. Leave a coil of copper tubing to allow the refrigerator to be pulled out of the cabinet or away from the wall for service.

Connect to Refrigerator

Follow the connection instructions specific to your model.

1. Remove plastic cap from water valve inlet port. Attach the copper tubing to the valve inlet using a compression nut and sleeve as shown. Tighten the compression nut. Do not overtighten. Confirm copper tubing is secure by pulling on copper tubing.
2. Create a service loop with the copper tubing. Avoid kinks when coiling the copper tubing. Secure copper tubing to refrigerator cabinet with a "P" clamp.



A. Copper tubing C. Compression nut
B. "P" clamp D. Compression sleeve

3. Turn on water supply to refrigerator and check for leaks. Correct any leaks.
4. If ice is desired, turn on the ice maker.

Complete the Installation

⚠ WARNING



Electrical Shock Hazard

Plug into a grounded 3 prong outlet.

Do not remove ground prong.

Do not use an adapter.

Do not use an extension cord.

Failure to follow these instructions can result in death, fire, or electrical shock.

1. Plug into a grounded 3 prong outlet.
2. Flush the water system. See the "Water and Ice Dispensers" section.

NOTE: Allow 24 hours to produce the first batch of ice. Discard the first 3 batches of ice produced. Allow 3 days to completely fill the ice storage bin.

Connecting the power/leveling the unit

⚠ WARNING



Electrical Shock Hazard

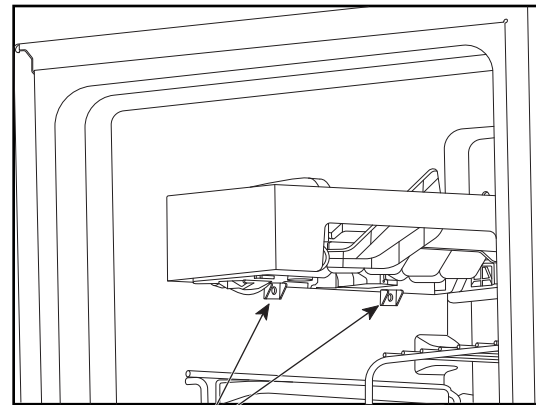
Plug into a grounded 3 prong outlet.

Do not remove ground prong.

Do not use an adapter.

Do not use an extension cord.

Failure to follow these instructions can result in death, fire, or electrical shock.

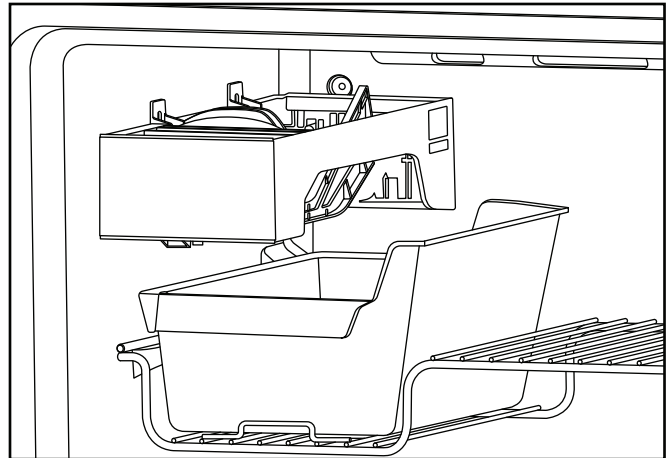


Bracket
mounting hole

1. Plug the power cord into its AC outlet, and push the ice maker back against the wall.
2. Place a level on top of the cabinet. If you need to relevel the ice maker, follow the procedure to adjust the front casters, as outlined in your ice maker's "Use and Care Guide."
3. Check the position of the ice maker. If it is crooked and needs to be adjusted, loosen the mounting screw and bracket screw (see the site diagram), position the ice maker as desired then tighten the screws.

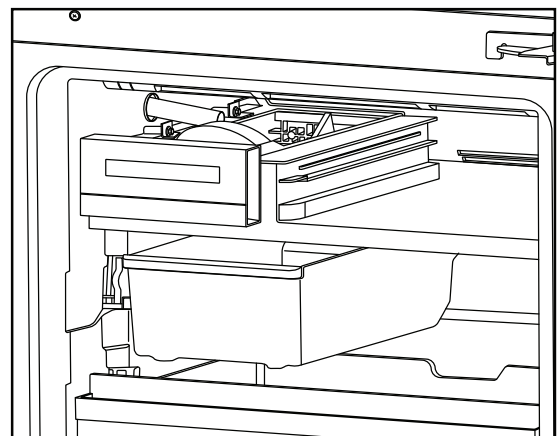
Starting the Ice Maker

1. Wash out the ice pan, and then slide it under the ice maker (see the side diagram) as far as it will go.



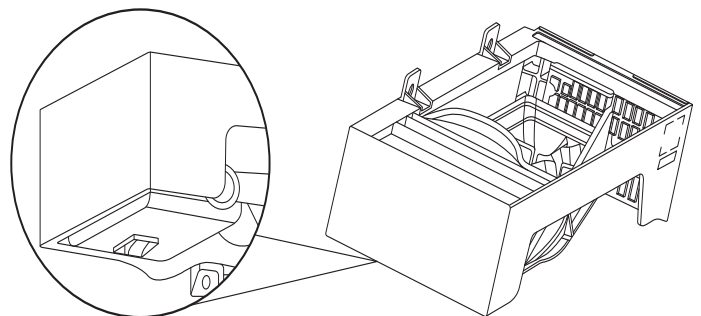
IMPORTANT: On bottom-mount models the Ice pan is placed below the ice maker and the multi utility shelf. The Ice maker should be screwed onto the multi utility shelf, so the Ice bucket must fit easily on the freezer compartment.

2. Place the items back into the freezer compartment.
3. Turn the switch “on” (see the side diagram), and close the freezer door. The ice maker will begin to make ice within 24 hours.



Top Mount & Bottom Mount models

NOTE: Usually it takes approximately 24 hours for the ice maker to begin producing ice. Once ice is available, you may notice that it has an “off-taste”. If this happens, make two or three batches of ice and discard them. After that the “off-taste” should be gone. If you have any problem, refer to “Trouble shooting” on page 13.



Troubleshooting

Operational notes

1. The Ice Maker valve contains a flow washer that acts like a pressure regulator to control the water flow. For the Ice Maker to work properly, the water pressure in your home must be between 20 and 120 pounds per-square-inch (psi). If you encounter problems with your Ice Maker's ability to produce ice, call your water utility company and have the water pressure checked.
2. The Ice Maker's water valve is equipped with two strainers: a plastic basket type and a wire-mesh screen. Both of these can be cleaned by turning off the water and disassembling the water valve (your service center should be able to provide this service). If local water conditions require periodic cleaning, or if you use a well as a water source, you should consider installing a second water strainer in the water line. You can obtain a water strainer from your local appliance dealer.

Troubleshooting chart

The following chart lists several common problems that could occur with your Ice Maker.

PROBLEM	CAUSE
One or more of the following sounds is heard: <ul style="list-style-type: none">• Buzzing• Trickling water• Thud (clatter of ice)	The water valve is operating. Ice is being dumped into the ice bin.
Ice tastes stale.	The ice is old. Make a new batch.
Water in Ice Maker overflows.	Refrigerator or Ice Maker is not level. If the Ice Maker still overflows after leveling, turn off the Ice Maker's water supply at the shut-off valve and turn the switch "off"; then contact your local service center.
Not enough ice.	It will take 48 hours to fill the ice bucket. The ice maker will make ice every 2 to 3 hours. For more ice, adjust the freezer control for a colder setting
Ice making has stopped.	Make sure that the water valve is Open. The water valve screen is clogged (contact your local service)

ICE MAKER SERVICE SHEET

SPECIFICATIONS:

THERMISTOR INPUT TO CONTROL: - CLOSE $-8.1^{\circ}\text{C}(17.4^{\circ})$ OR AFTER 100 MIN

WATER FILL - 117 CC(ml) 13.5 SEC.

CYCLE - ONE TWIST PROCESS

INPUT VOLTAGE: 120 & 240 V MODELS

NOTE: 24 HOURS ICE MAKER MAKE 56 TO 73 ICE CUBES
THE ICE MAKER REQUIRED 2-3 DAYS TO FILL THE ICE BIN CONTAINER.
(THE ICE MAKER REQUIRED 3 OURS TO ESTABILIZATION)

SERVICE PROCEDURE

MODULE MOTOR -

THE ON/OFF SWITCH (MAIN SWITCH) AND THE TEST SWITCH ARE LOCATED AT THE BOTTOM OF THE ICE MAKER.

MAIN SWITCH -

TURN THE MAIN SWITCH TO ON POSITION (AS SHOWN IN THE PICTURE BELOW), TO ENSURE ICE MAKER WILL WORK.

TEST SWITCH -

PRESS AND HOLD FOR 3 SECONDS; THE TEST SWITCH WILL BYPASS THE TIMER AND TEMPERATURE (THERMISTOR TEMPERATURE $-8.1^{\circ}\text{C}/17.4^{\circ}\text{F}$) AND WILL START TEST SEQUENCE

TEST SEQUENCE BELOW. MONITOR TEST FOR NORMAL CONDITIONS. IF TEST COMPLETES FULL CYCLE WITHOUT ABNORMAL CONDITION, ICE MAKER IS WORKING AND OPERATIONAL.

HOME POSITION -

THE ICE TRAY WILL MOVE TO HOME POSITION ONCE TURNED ON THE ICE MAKER OR AFTER A POWER RESET THEN STARTS THE TWIST PROCESS.

BAIL ARM -

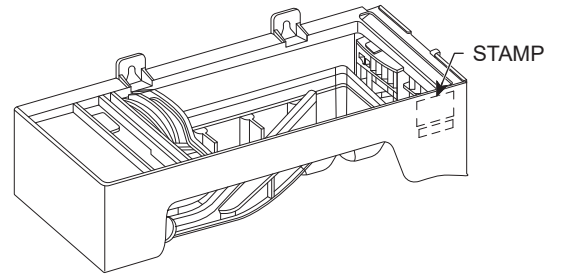
AT THE SAME TIME AS THE TWIST PROCESS, THE BAIL ARM WILL GO DOWN TO DETECT THE ICE LEVEL.

WATER VALVE -

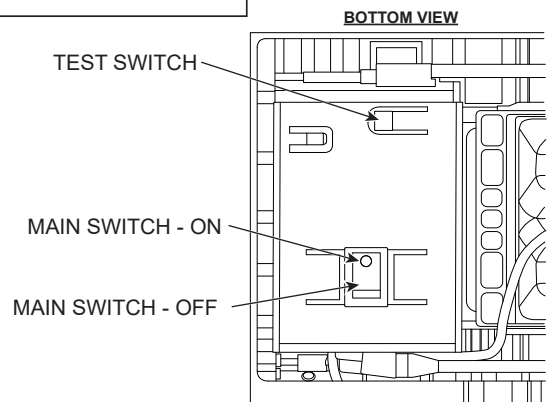
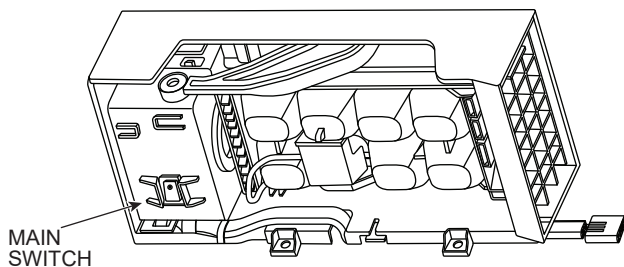
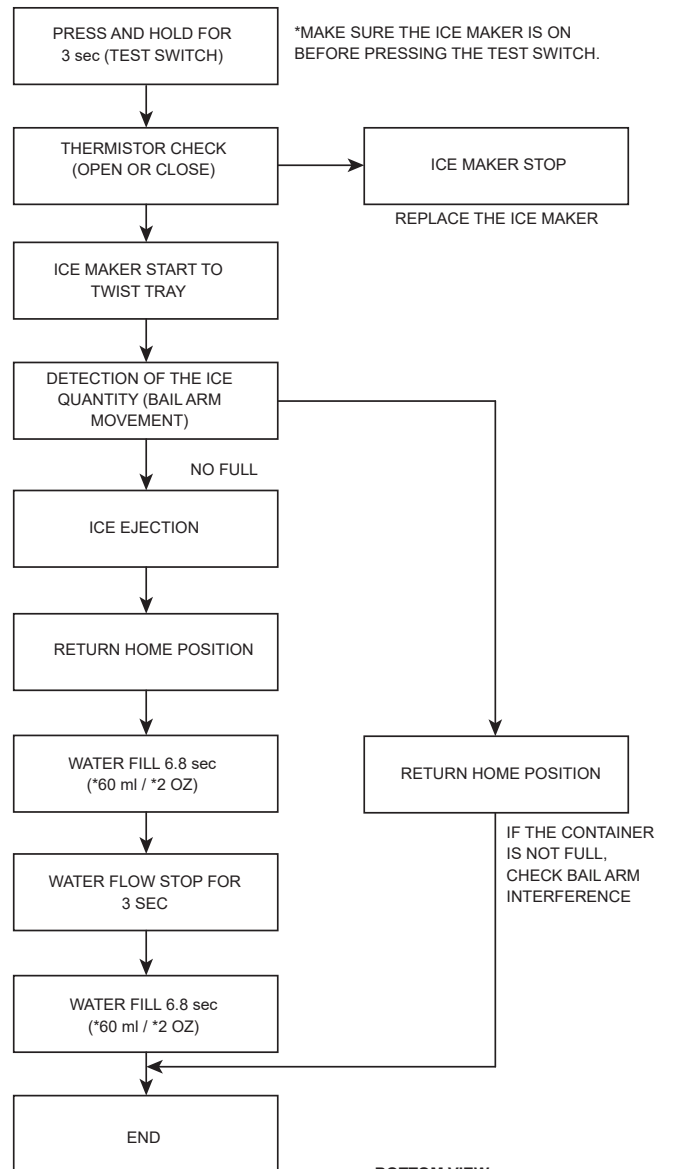
IF YOU DO NOT WANT TO PUT WATER DIRECTLY INTO THE TRAY, REMOVE FILL CHUTE AND CATCH WATER WITH A DISPOSABLE CUP.

THE VALVE WILL OPEN FOR 6.8 SECONDS TO DELIVERY A HALF AMOUNT OF WATER INTO THE TRAY. THE WATER FLOW WILL STOP FOR THE THREE SECONDS THEN THE VALVE WILL RE-OPEN FOR 6.8 SECONDS TO COMPLETE THE FILL(117ml). IF THE VALVE COMPLETES THE WATER FILL IN THE SPECIFIED VOLUME AND TIME, THE ICE MAKER IS WORKING AND IS FULLY OPERATIONAL.

NOTE: IF THE WATER VALVE OPERATES ONLY ONCE, IT MEANS SOMETHING IN THE ICE MAKER IS WRONG (COULD BE BAIL ARM OR ICE MAKER MOTOR).



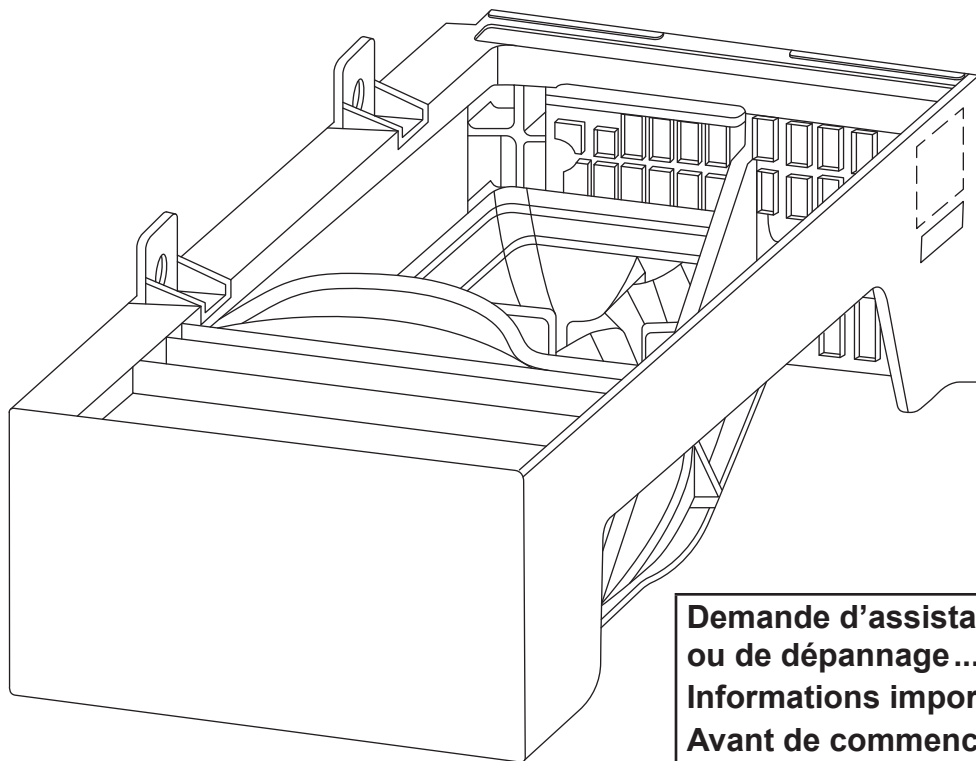
THIS FLOW DIAGRAM IS ONLY FOR TEST SWITCH MODE





D'installation

G U I D E



MACHINE À GLAÇONS AUTONOME

Demande d'assistance ou de dépannage	17
Informations importantes	18
Avant de commencer	19
Installation de la machine à glaçons	20
Montage de la machine à glaçons	22
Raccordement à l'alimentation en eau	25
Mise en marche de la machine à glaçons	28
Dépannage	29
Fiche technique	30

Table des matières

	Page		Page
Demande d'assistance ou de dépannage	17	Raccordement à la canalisation d'eau	25
Informations importantes	18	Rétablissement de l'alimentation électrique /	
Avant de commencer	19	Mise à niveau de l'appareil	27
Outils	19	Mise en marche de la machine à glaçons	28
Remarques concernant l'installation.....	19	Dépannage	29
Composants	19	Notes sur le fonctionnement de l'appareil	29
Installation de la machine à glaçons	20	Tableau de diagnostic/dépannage.....	29
Opérations préparatoires.....	20	Fiche technique	30
Montage de la machine à glaçons.....	22	Spécifications	30
		Opérations de dépannage	30

Demande d'assistance ou de dépannage

Pour tout besoin d'assistance, contacter le revendeur ou téléphoner sans frais au Centre d'assistance aux consommateurs de Whirlpool au **1-800-253-1301** (accessible 24 heures sur 24).

Informations importantes :

Les informations suivantes sont utilisées tout au long de ce guide d'installation. Lire ce guide attentivement pour s'en familiariser.

Votre sécurité et celle des autres est très importante.

Nous donnons de nombreux messages de sécurité importants dans ce manuel et sur votre appareil ménager. Assurez-vous de toujours lire tous les messages de sécurité et de vous y conformer.



Voici le symbole d'alerte de sécurité.

Ce symbole d'alerte de sécurité vous signale les dangers potentiels de décès et de blessures graves à vous et à d'autres.

Tous les messages de sécurité suivront le symbole d'alerte de sécurité et le mot "DANGER" ou "AVERTISSEMENT". Ces mots signifient :

⚠ DANGER

Risque possible de décès ou de blessure grave si vous ne suivez pas immédiatement les instructions.

⚠ AVERTISSEMENT

Risque possible de décès ou de blessure grave si vous ne suivez pas les instructions.

Tous les messages de sécurité vous diront quel est le danger potentiel et vous disent comment réduire le risque de blessure et ce qui peut se produire en cas de non-respect des instructions.

- Ce guide d'installation présente les instructions complètes d'installation de la machine à glaçons dans le congélateur, et les instructions de raccordement entre la canalisation d'arrivée d'eau et la machine. Lire attentivement le guide, et exécuter les instructions exactement telles qu'elles sont présentées. S'assurer également à respecter toutes les instructions de « sécurité ».
- Cet ensemble a été conçu pour que toute personne puisse l'installer; ceci nécessite cependant un niveau minimum de compétence ou d'aptitude mécanique.

**L'INSTALLATION RÉALISÉE PAR LE CLIENT/
UTILISATEUR N'EST PAS GARANTIE PAR LE
FABRICANT DU RÉFRIGÉRATEUR OU DE LA
MACHINE À GLAÇONS.**

Avant de commencer

Outils

Rassembler les outils et composants nécessaires avant d'entreprendre le processus d'installation. Lire et observer les instructions fournies avec chacun des outils de la liste ci-dessous.

1. Tournevis ordinaire
2. Tournevis à tête cruciforme
3. Clés plates de 7/16" et 1/2" (ou clé à molette)
4. Pince
5. Tourne-écrou de 1/4 po
6. Perceuse manuelle avec foret de 1/4 po
7. Petit niveau manuel (facultatif)
8. Petite lime ronde de 3/4 po
9. Coupe-tube
10. Pointeau
11. Marteau
12. Ciseaux
13. Règle
14. Tabouret-escabeau (facultatif)

Composants

Ôter les divers articles de l'emballage d'expédition, et placer ceux-ci sur une table pour pouvoir les identifier facilement.

Ne pas jeter les matériaux d'emballage avant que toutes les pièces requises soient identifiées.

Remarques concernant l'installation

Pour chaque groupe d'étapes, étudier le schéma présenté juste à côté ou au-dessous du texte, pour tout besoin de clarification. Certaines illustrations contiennent également des légendes. Une lettre alphabétique (A, B ou C) dans les légendes fait clairement référence dans le texte descriptif de chaque étape.

Installer les pièces comme indiqué à chaque étape et l'illustration correspondante.

QTÉ	DESCRIPTION
1	Machine à glaçons (montage supérieur)
1	Bac à glaçons
1	Clayette du compartiment de congélation
1	Couvercle de la machine à glaçons (montage inférieur)
1	Rallonge de tube de remplissage (montage supérieur)
1	Tube de remplissage d'eau (montage inférieur)
3	7-18 X .500 MHW TLR LSER
1	Livret d'instructions (montage supérieur/inférieur) – nouveau
1	Lettre de garantie (2206023)

Installation de la machine à glaçons

Opérations préparatoires

⚠ AVERTISSEMENT

Risque du poids excessif

Utiliser deux ou plus de personnes pour déplacer et installer la machine à glaçons.

Le non-respect de cette instruction peut causer une blessure au dos ou d'autre blessure.

1. Écarter la machine à glaçons du mur pour pouvoir accéder facilement au panneau arrière.

Important : Assurez-vous de protéger le sol de tout dommage.

⚠ AVERTISSEMENT



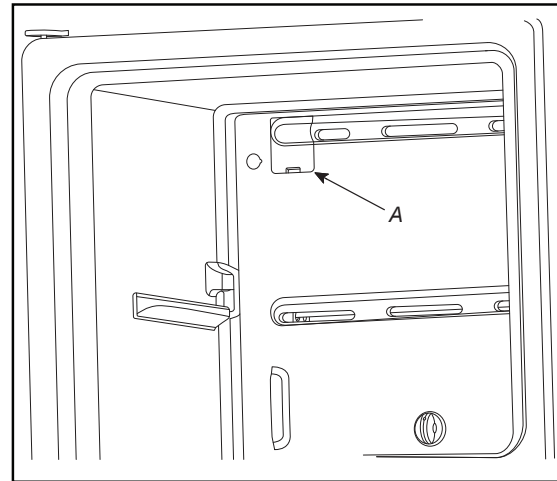
Risque de choc électrique

Déconnecter la source de courant électrique avant l'installation de la machine à glaçons.

Le non-respect de cette instruction peut causer un décès ou un choc électrique.

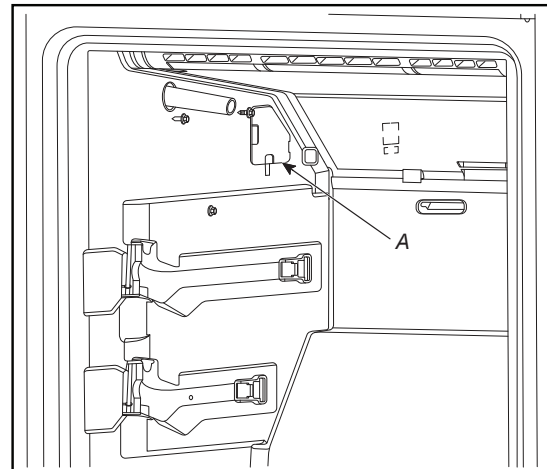
2. Débrancher la machine à glaçons ou couper l'alimentation.
3. Ouvrir la porte du congélateur et retirer tous les aliments du compartiment de congélation.

4. Le connecteur de la machine à glaçons et le couvercle du tube sont situés à l'intérieur du compartiment de congélation.



A. Couvercle du connecteur et du tube

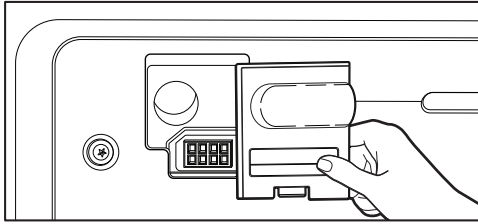
Modèles avec congélateur en haut



A. Connecteur

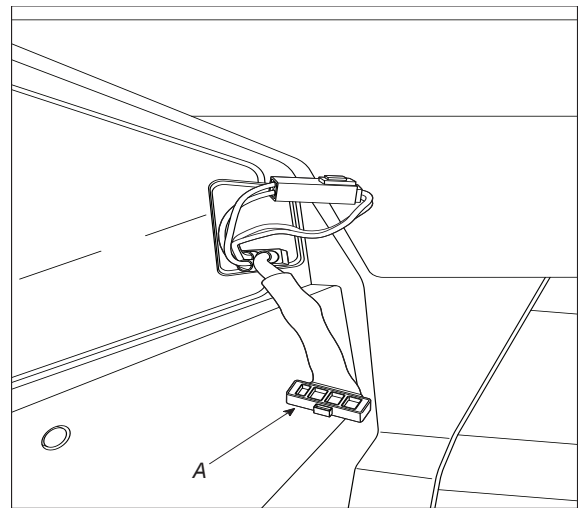
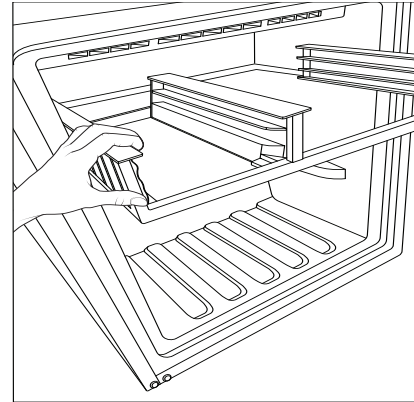
Modèles avec congélateur en bas

5. Retirer le connecteur de la machine à glaçons et le couvercle du tube.



Modèles avec congélateur en haut

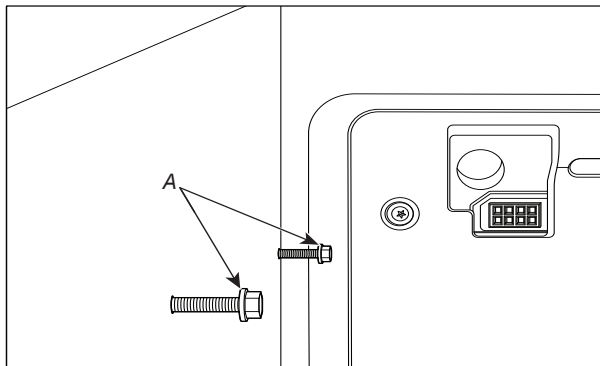
6. Retirer la clayette du compartiment de congélation. Le connecteur de la machine à glaçons est situé sur le côté gauche, comme indiqué dans l'illustration.



A. Connecteur de la machine à glaçons
Modèles avec congélateur en bas

Montage de la machine à glaçons

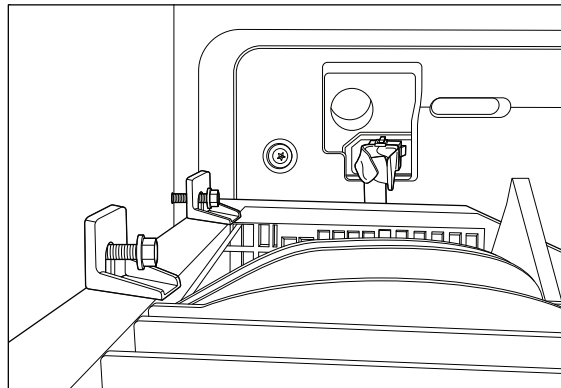
1. Les vis de la base sont fournies dans le compartiment de congélation pour installer la machine à glaçons.



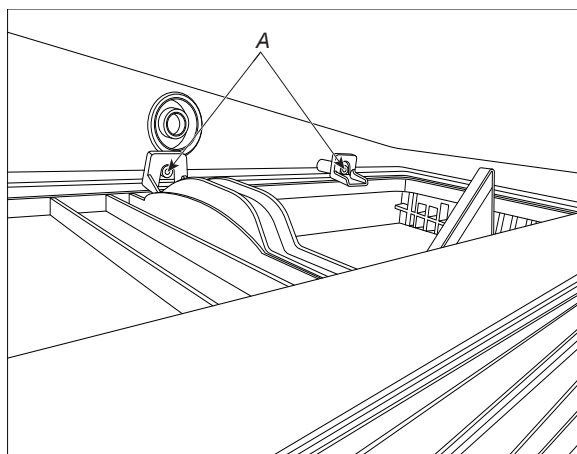
A. Vis de base

Modèles avec congélateur en haut

2. Aligner les deux trous de la machine à glaçons avec les vis de la base. Suspender la machine à glaçons aux deux vis de la base.

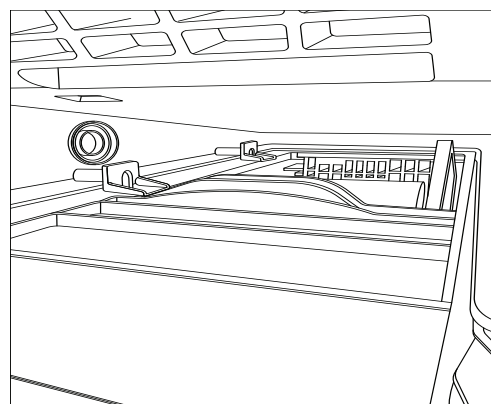


Modèles avec congélateur en haut



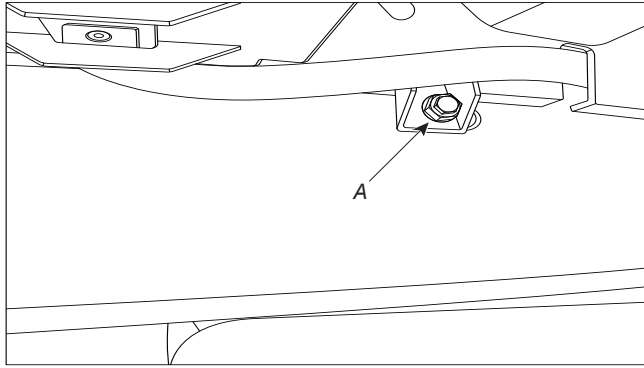
A. Vis de base

Modèles avec congélateur en bas



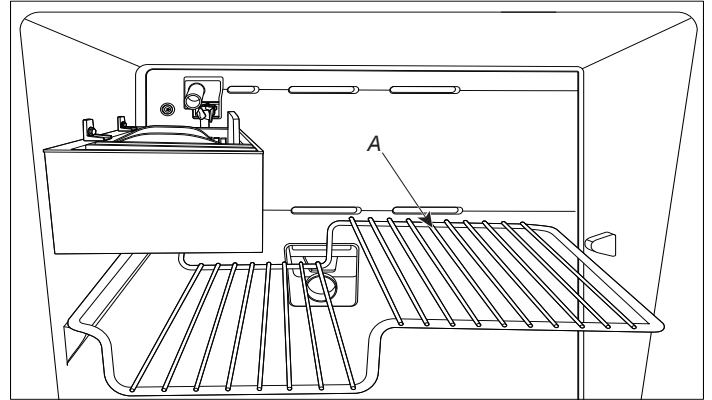
Modèles avec congélateur en bas

3. Installer la vis dans le trou de montage du support comme indiqué à la figure.

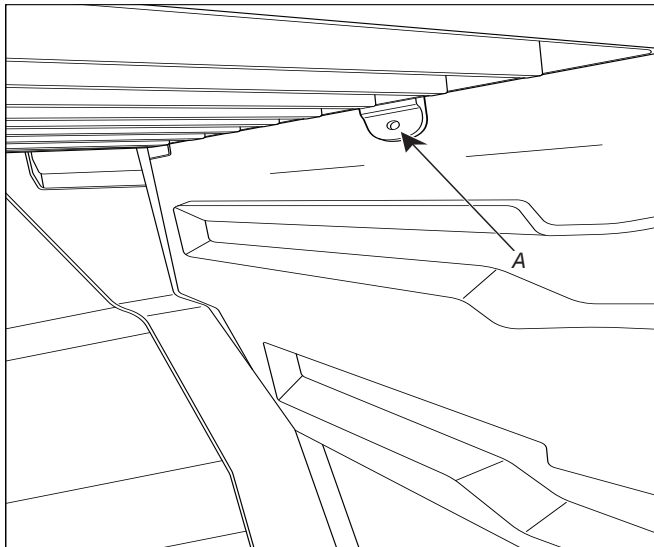


A. Trou de montage de support
Modèles avec congélateur en haut

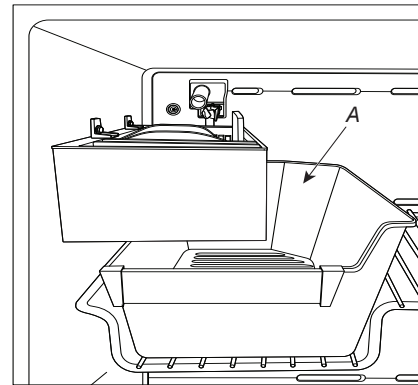
4. Installer la clayette comme indiqué à la figure.
5. Installer le bac de la machine à glaçons comme indiqué à la figure.



A. Clayette

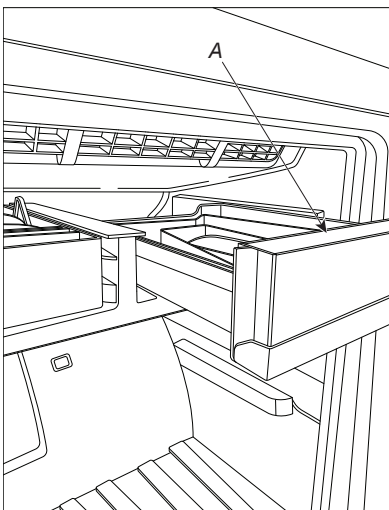


A. Trou de montage de support
Modèles avec congélateur en bas



A. Bac à glaçons
Modèles avec congélateur en haut

6. Installer le bac comme indiqué à la figure.

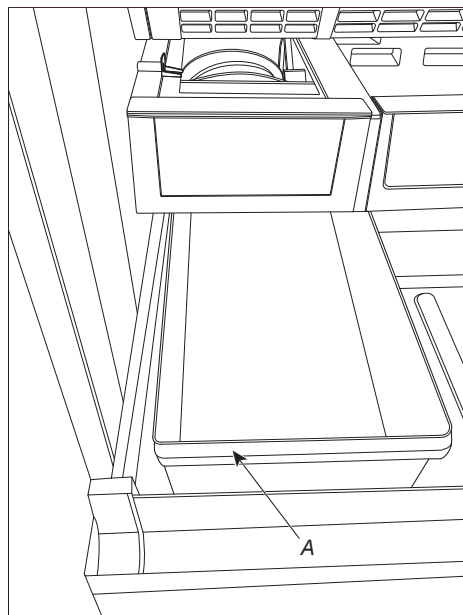


A. Tiroir à glaçons

Modèles avec congélateur en bas

7. Installer le bac de la machine à glaçons comme indiqué à la figure.

REMARQUE : Vérifier que le bac de la machine à glaçons est correctement situé sous la machine à glaçons.



A. Bac à glaçons

Modèles avec congélateur en bas

Raccordement à la canalisation d'eau

Lire toutes les instructions avant de commencer.

IMPORTANT :

- Brancher sur une alimentation en eau potable uniquement.

Ne pas utiliser pour le filtrage d'une eau microbiologiquement polluée ou de qualité inconnue en l'absence d'un dispositif de désinfection adéquat avant ou après le système. Les systèmes certifiés pour la réduction de kyste peuvent être utilisés pour l'eau désinfectée qui peut contenir des kystes filtrables.

- Réaliser l'installation de plomberie conformément aux prescriptions du International Plumbing Code et des normes et codes locaux en vigueur.
- Il est possible d'utiliser des raccords en cuivre ou en polyéthylène réticulé pour le raccordement de la canalisation d'eau du domicile au réfrigérateur; ils contribuent à éviter que l'eau ait un goût ou une odeur désagréable. Vérifier qu'il n'y a pas de fuites.
- Si on utilise un tuyau en polyéthylène réticulé au lieu d'un tuyau de cuivre, nous recommandons les numéros de pièce suivants : W10505928RP (PEX chemisé de 7 pi [2,14 m]), 8212547RP (PEX de 5 pi [1,52 m]), ou W10267701RP (PEX de 25 pi [7,62 m]).
- Installer des tuyaux seulement là où les températures resteront au-dessus du point de congélation.

Outils requis :

Rassembler les outils et pièces nécessaires avant d'entreprendre l'installation.

- Tournevis à tête plate
- Clés plates de 7/16 po et 1/2 po ou 2 clés à molette
- Tourne-écrou de 1/4 po

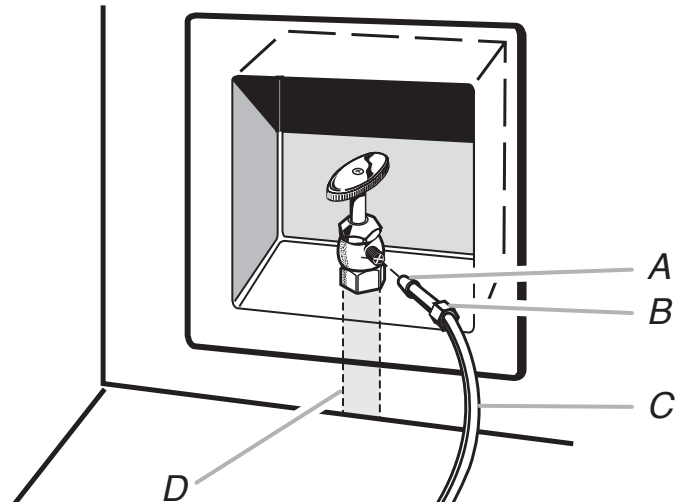
REMARQUE : Ne pas employer de robinet d'arrêt à étrier de 3/16 po (4,76 mm) ou de type à percer, car cela réduit le débit d'eau et augmente le risque d'obstruction.

Raccordement à la canalisation d'eau

IMPORTANT : Si le réfrigérateur est mis en marche avant de raccorder la canalisation d'eau, mettre la machine à glaçons à l'arrêt.

1. Débrancher le réfrigérateur ou déconnecter la source de courant électrique.
2. Couper l'alimentation principale en eau. Ouvrir le robinet le plus proche suffisamment longtemps pour réduire la pression de l'eau dans la canalisation d'eau.
1. Utiliser un robinet d'arrêt quart de tour ou équivalent alimenté par une canalisation d'alimentation domestique de 1/2 po.

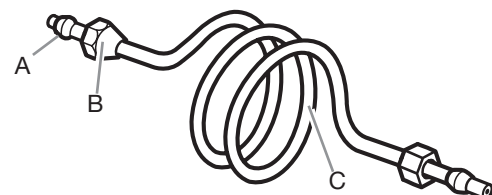
REMARQUE : Pour que le réfrigérateur reçoive un débit d'eau suffisant, on recommande l'emploi d'une canalisation d'alimentation domestique en cuivre de 1/2 po (12,7 mm).



A. Bague
B. Écrou

C. Canalisation en cuivre
(jusqu'au réfrigérateur)
D. Canalisation d'alimentation
du domicile (1/2 po minimum)

- Il est maintenant possible de connecter le tuyau en cuivre au robinet d'arrêt. Utiliser une canalisation en cuivre de 1/4 po (6,35 mm) pour raccorder le robinet d'arrêt au réfrigérateur.
- S'assurer d'avoir la longueur nécessaire pour une installation correcte. Il faut s'assurer que les deux extrémités du tuyau en cuivre sont bien coupées à angle droit.
- Installer la bague et l'écrou à compression sur le tuyau en cuivre comme indiqué. Insérer l'extrémité du tuyau aussi profondément que possible dans l'extrémité de sortie et à l'équerre. Visser l'écrou de compression sur l'extrémité de sortie du raccord à l'aide d'une clé à molette. Ne pas serrer excessivement.



A. Bague de compression
B. Écrou de compression
C. Canalisation en cuivre

2. Placer l'extrémité libre de la canalisation dans un contenant ou un évier et rétablir l'alimentation principale en eau pour nettoyer le tuyau jusqu'à ce que l'eau soit limpide. Fermer le robinet d'arrêt sur le tuyau d'alimentation en eau.

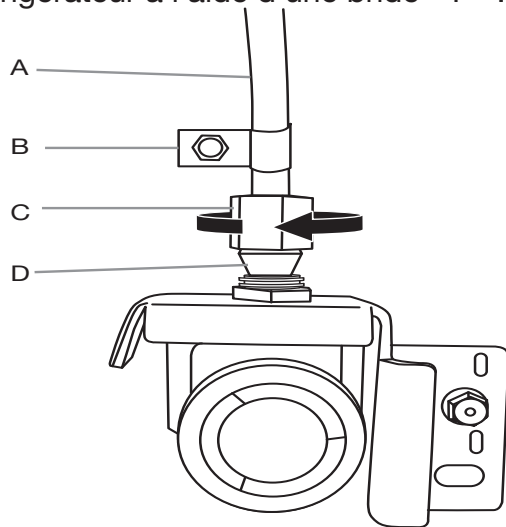
REMARQUE : Toujours vidanger le tuyau d'alimentation en eau avant de faire le raccordement final sur l'entrée du robinet pour éviter tout mauvais fonctionnement éventuel du robinet.

3. Courber le tuyau de cuivre de façon à le raccorder à l'arrivée de la canalisation d'eau située à l'arrière de la caisse du réfrigérateur, comme illustré. Laisser une partie du tube en cuivre enroulée pour permettre de dégager le réfrigérateur de l'armoire ou du mur en cas de dépannage.

Raccordement au réfrigérateur

Suivre les instructions relatives au modèle utilisé pour le raccordement.

1. Ôter le bouchon de plastique de l'orifice d'entrée d'eau. Raccorder le tube de cuivre au robinet d'arrivée d'eau à l'aide d'un écrou et d'une bague de compression, comme illustré. Serrer l'écrou de compression. Ne pas serrer excessivement. Vérifier la solidité du raccordement en tirant sur la canalisation en cuivre.
2. Créer une boucle de service avec la canalisation en cuivre. Éviter de déformer la canalisation en cuivre en l'enroulant. Fixer la canalisation en cuivre à la caisse du réfrigérateur à l'aide d'une bride « P ».



A. Canalisation en cuivre C. Écrou à compression
B. Bride « P » D. Bague de compression

3. Ouvrir l'arrivée d'eau alimentant le réfrigérateur et vérifier l'absence de fuites. Éliminer toute fuite détectée.
4. Si des glaçons sont souhaités, mettre la machine à glaçons en marche.

Terminer l'installation

⚠ AVERTISSEMENT



Risque de choc électrique

Brancher sur une prise à 3 alvéoles reliée à la terre.

Ne pas enlever la broche de liaison à la terre.

Ne pas utiliser un adaptateur.

Ne pas utiliser un câble de rallonge.

Le non-respect de ces instructions peut causer un décès, un incendie ou un choc électrique.

1. Brancher l'appareil sur une prise à 3 alvéoles reliée à la terre.
2. Rincer le système de distribution d'eau. Consulter la section « Distributeurs d'eau et de glaçons ».

REMARQUE : Prévoir un délai de 24 heures pour la production du premier lot de glaçons. Jeter les 3 premières quantités de glaçons produites. Prévoir un délai de 3 jours pour le remplissage complet du bac d'entreposage.

Rétablissement de l'alimentation électrique / Mise à niveau de l'appareil

⚠ AVERTISSEMENT



Risque de choc électrique

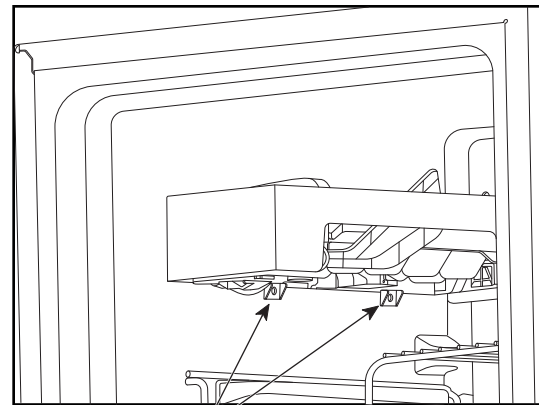
Brancher sur une prise à 3 alvéoles reliée à la terre.

Ne pas enlever la broche de liaison à la terre.

Ne pas utiliser un adaptateur.

Ne pas utiliser un câble de rallonge.

Le non-respect de ces instructions peut causer un décès, un incendie ou un choc électrique.

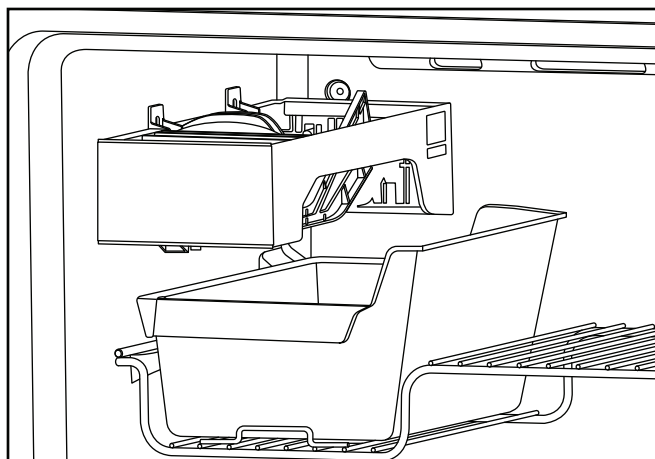


Trou de montage de support

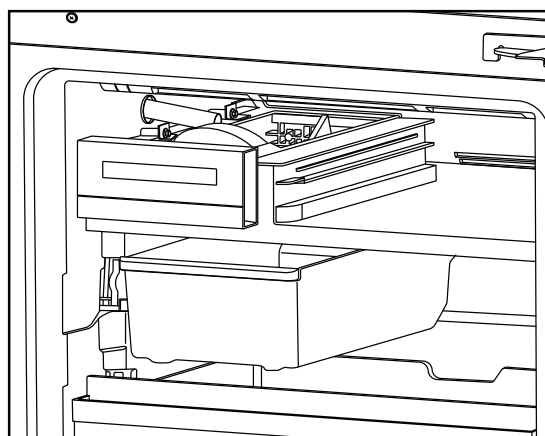
1. Brancher le cordon d'alimentation sur la prise de courant CA et pousser la machine à glaçons contre le mur.
2. Placer un niveau au sommet de la caisse. S'il est nécessaire d'ajuster l'aplomb de la machine à glaçons, employer le processus de réglage des roulettes avant, décrit dans le « Guide d'utilisation et d'entretien ».
3. Vérifier la position de la machine à glaçons. Si l'appareil n'est pas d'aplomb et doit être ajusté, desserrer la vis de montage et la vis du support (voir le schéma du site), positionner la machine à glaçons à votre guise, puis serrer les vis.

Mise en marche de la machine à glaçons

1. Laver le bac à glaçons, et faire glisser le bac sous la machine à glaçons (voir le schéma adjacent) aussi loin qu'il peut aller.



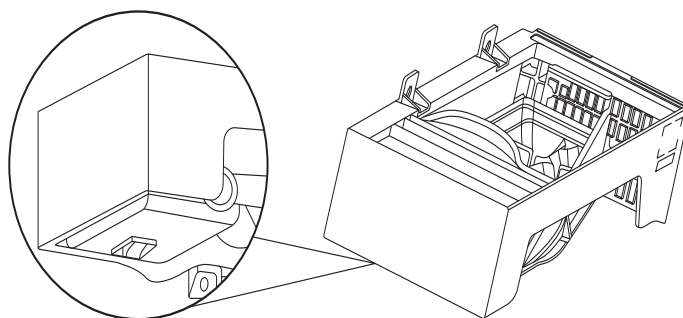
IMPORTANT : Sur les modèles à montage inférieur, le bac à glaçons est placé sous la machine à glaçons et la clayette tout usage. La machine à glaçons doit être vissée sur la clayette tout usage, de sorte que le bac à glaçons puisse être facilement placé sur le compartiment de congélation.



Modèles avec congélateur en haut et modèles avec congélateur en bas

2. Remettre dans le compartiment de congélation les articles alimentaires qui avaient été retirés précédemment.
3. Mettre l'interrupteur en position de « marche » (voir le schéma ci-contre) et fermer la porte du congélateur. La machine à glaçons commencera à produire des glaçons dans les 24 heures.

REMARQUE : Il faut généralement attendre environ 24 heures pour que la machine à glaçons commence à produire des glaçons. Lorsque de la glace est disponible, on remarquera peut-être une saveur inhabituelle; si c'est le cas, jeter les deux ou trois premiers lots de glaçons produits; après cela la saveur inhabituelle observée devrait disparaître. En cas de problème, consulter la page « Dépannage » à la page 13.



Dépannage

Notes sur le fonctionnement de l'appareil

1. L'électrovanne de la machine à glaçons comporte un dispositif qui tient lieu de régulateur de pression et contrôle ainsi le débit d'eau. Pour que la machine à glaçons fonctionne correctement, il faut que la pression de l'eau dans le circuit de la résidence soit d'environ 20 à 120 livres par pouce carré (lb/po²). En cas de problème affectant la capacité de la machine à glaçons à produire de la glace, contacter la compagnie locale de distribution d'eau pour demander un contrôle de la pression de distribution.
2. L'électrovanne d'admission d'eau de la machine à glaçons est équipée de deux crépines : une crépine en plastique en forme de panier, et un tamis métallique; pour le nettoyage des deux éléments de filtrage, fermer l'arrivée d'eau et démonter l'électrovanne d'admission d'eau (ce travail peut être confié à un centre de service après-vente local). Si la qualité de l'eau distribuée localement nécessite l'exécution d'un nettoyage périodique, ou si l'eau utilisée provient d'un puits, il pourra être utile d'installer un second dispositif de filtrage de l'eau dans la canalisation d'arrivée d'eau. On peut acquérir un dispositif de filtrage de l'eau chez un revendeur local d'appareils ménagers.

Tableau de diagnostic/dépannage

Le tableau qui suit décrit quelques problèmes usuels qui peuvent survenir et affecter la machine à glaçons.

PROBLÈME	CAUSE
Bruit perceptible (un ou plusieurs des bruits suivants) : <ul style="list-style-type: none">• Bourdonnement• Écoulement d'eau lent• Claquement (émanant des glaçons)	Fonctionnement de l'électrovanne d'admission d'eau. Déversement des glaçons dans le tiroir à glaçons.
Saveur de « pas frais » des glaçons.	Les glaçons sont vieux. Préparer un nouveau lot de glaçons.
Débordement d'eau dans la machine à glaçons.	Défaut d'aplomb du réfrigérateur ou de la machine à glaçons. Si on observe encore un débordement dans la machine à glaçons après le réglage de l'aplomb, fermer l'arrivée d'eau de la machine à glaçons (au niveau du robinet d'arrêt), et mettre l'interrupteur en position d'arrêt; contacter ensuite le centre de dépannage local.
Quantité de glaçons insuffisante.	Le délai de remplissage du panier à glaçons est d'environ 48 heures. La machine à glaçons produit des glaçons à intervalles de 2 à 3 heures. Pour augmenter la production de glace, régler le thermostat du congélateur pour une plus basse température.
Arrêt de la production de glace.	Vérifier que le robinet de la canalisation d'eau est ouvert. Le tamis de l'électrovanne d'admission d'eau est bouché (contactez votre service local)

MACHINE À GLAÇON – FICHE TECHNIQUE

SPÉCIFICATIONS :

ENTRÉE THERMISTANCE POUR CONTRÔLER : – FERMER -8,1 °C (17,4°) OU APRÈS 100 MIN.

REPLISSAGE D'EAU – 117 CC (ml) 13.5 SEC.

CYCLE – PROCESSUS DE ROTATION

TENSION D'ENTRÉE : MODÈLES 120 ET 240 V

REMARQUE : APRÈS UNE PÉRIODE DE 24 HEURES, LA MACHINE À GLAÇONS FABRIQUE DE 56 À 73 GLAÇONS. LA MACHINE À GLAÇONS NÉCESSITE DE 2 À 3 JOURS POUR REMPLIR LE BAC À GLAÇONS. (LA MACHINE À GLAÇONS NÉCESSITE AU MOINS 3 HEURES POUR SE RÉTABLIR)

OPÉRATIONS DE DÉPANNAGE

MOTEUR DU MODULE –

L'INTERRUPTEUR MARCHÉ/ARRÊT (INTERRUPTEUR PRINCIPAL) ET COMMUTATEUR DE TEST SONT SITUÉS AU BAS DE LA MACHINE À GLAÇONS.

INTERRUPTEUR PRINCIPAL –

METTRE L'INTERRUPTEUR PRINCIPAL EN POSITION DE MARCHÉ (COMME INDiqué DANS L'ILLUSTRATION CI-DESSOUS) POUR S'ASSURER QUE LA MACHINE À GLAÇONS FONCTIONNE.

COMMUTATEUR DE TEST –

MAINTENIR ENFONCÉ PENDANT 3 SECONDES; LE COMMUTATEUR DE TEST CONTOURNERA LA MINUTERIE ET LA TEMPÉRATURE (TEMPÉRATURE DE LA THERMISTANCE : -8,1 °C/17,4 °F) ET COMMENCERA LA SÉQUENCE DE TEST.

SÉQUENCE DE TEST CI-DESSOUS. SURVEILLER LE TEST POUR DES CONDITIONS NORMALES. SI LE TEST TERMINE UN CYCLE COMPLET SANS CONDITION ANORMALE, LA MACHINE À GLAÇONS FONCTIONNE ET EST OPÉRATIONNELLE.

POSITION INITIALE –

LE BAC À GLAÇONS SE DÉPLACE VERS LA POSITION INITIALE UNE FOIS QUE LA MACHINE À GLAÇONS EST ALLUMÉE OU APRÈS UNE RÉINITIALISATION DE L'ALIMENTATION, PUIS LE PROCESSUS DE ROTATION COMMENCE.

BRAS DE DÉTECTION –

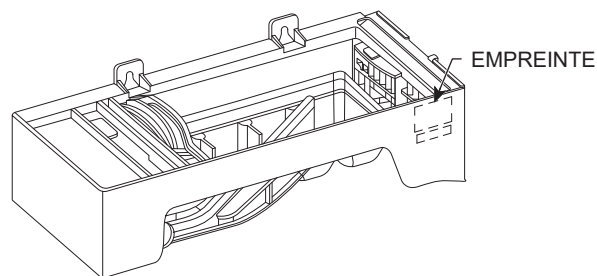
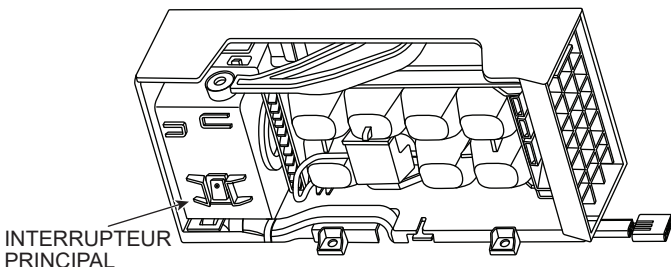
EN MÊME TEMPS QUE LE PROCESSUS DE ROTATION, LE BRAS DESCEND POUR DÉTECTER LE NIVEAU DE GLACE.

ÉLECTROVANNE D'ADMISSION D'EAU –

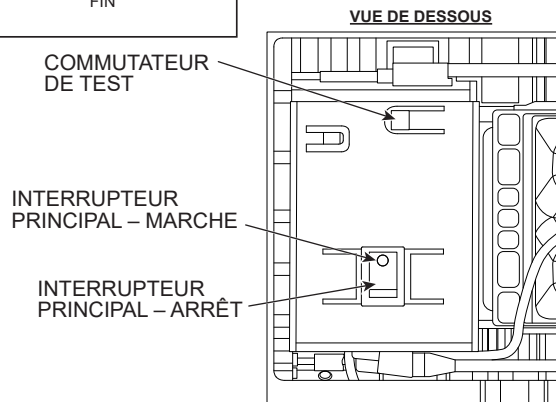
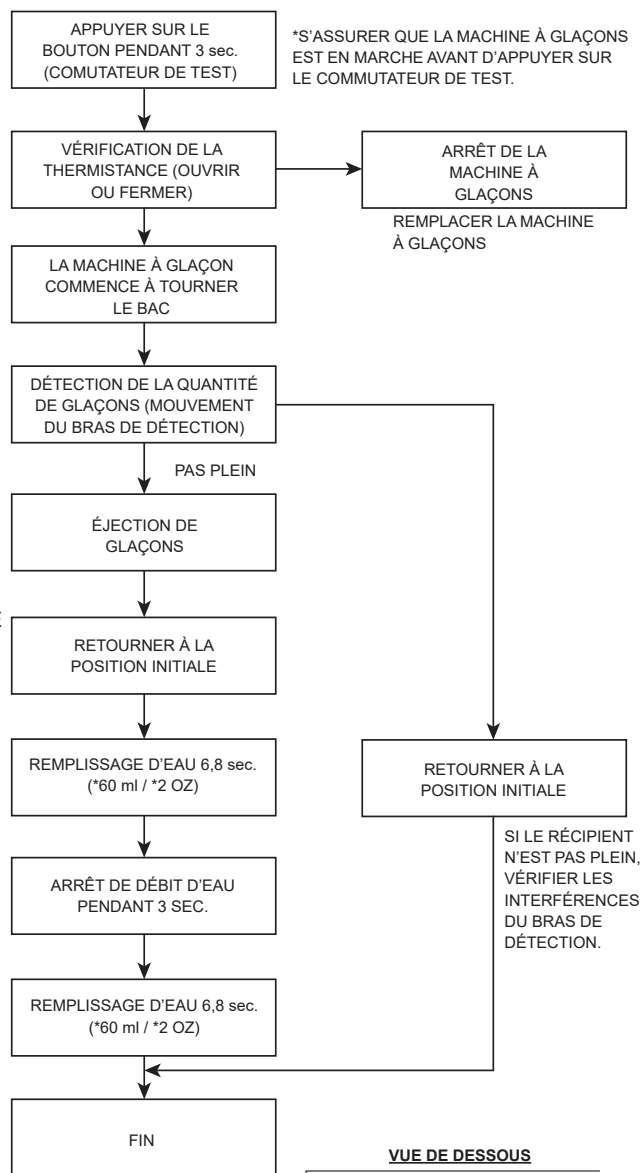
SI L'ON NE SOUHAITE PAS VERSER DE L'EAU DIRECTEMENT DANS LE BAC, RETIRER LA GOULOTTE DE REMPLISSAGE ET RÉCUPÉRER L'EAU AVEC UN GOBELET JETABLE.

L'ÉLECTROVANNE S'OUVRIRA PENDANT 6,8 SECONDES POUR AMENER UNE DEMI-QUANTITÉ D'EAU DANS LE BAC. LE DÉBIT D'EAU S'ARRÊTE PENDANT TROIS SECONDES, PUIS L'ÉLECTROVANNE S'OUVRE À NOUVEAU PENDANT 6,8 SECONDES POUR COMPLÉTER LE REMPLISSAGE (117 ml). SI L'ÉLECTROVANNE TERMINE LE REMPLISSAGE EN EAU DANS LE VOLUME ET L'HEURE SPÉCIFIÉS, LA MACHINE À GLAÇONS FONCTIONNE ET EST COMPLÈTEMENT OPÉRATIONNELLE.

REMARQUE : SI L'ÉLECTROVANNE D'ADMISSION D'EAU NE FONCTIONNE QU'UNE SEULE FOIS, CELA SIGNIFIE QUE QUELQUE CHOSE NE FONCTIONNE PAS DANS LA MACHINE À GLAÇONS (IL PEUT S'AGIR DU BRAS DE DÉTECTION OU DU MOTEUR DE LA MACHINE À GLAÇONS).



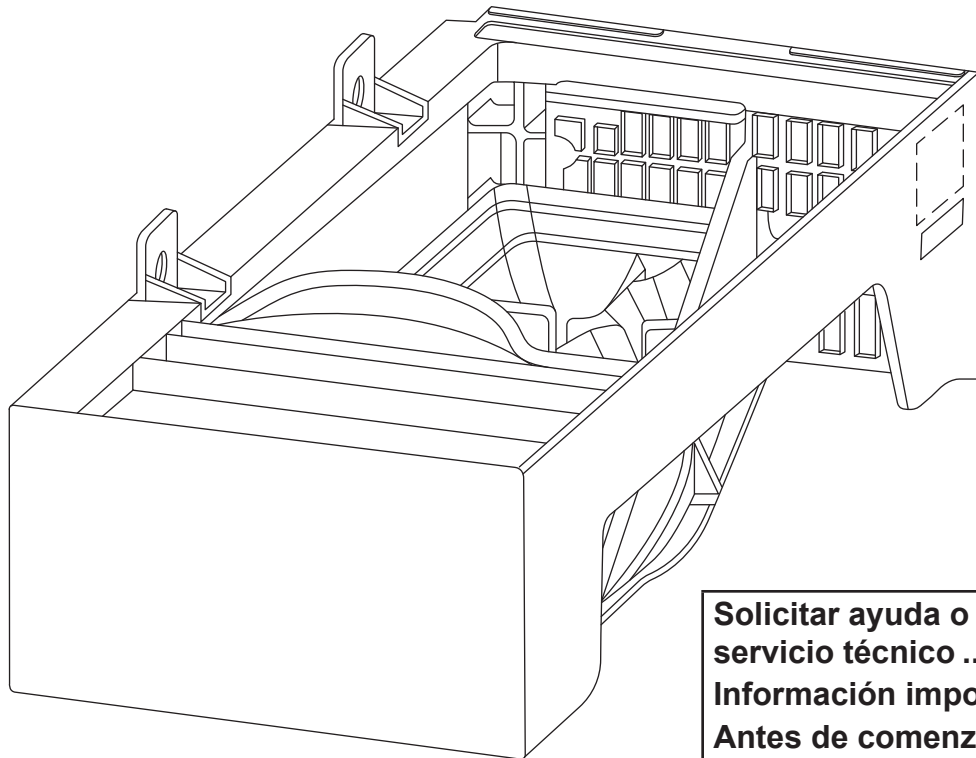
CE SCHÉMA DE PROCÉDÉ NE SERT UNIQUEMENT QUE POUR LE MODE DU COMMUTATEUR DE TEST





Instalación

G U Í A



FÁBRICA DE HIELO INDEPENDIENTE

Solicitar ayuda o servicio técnico	32
Información importante ...	33
Antes de comenzar.....	34
Instalación de la fábrica de hielo	35
Montaje de la fábrica de hielo	37
Conexión del suministro de agua	40
Puesta en marcha de la fábrica de hielo	43
Solución de problemas	44
Hoja de servicio técnico ...	45

Índice

	Página		Página
Para solicitar ayuda o servicio técnico	32	Conexión del suministro de agua	40
Información importante	33	Conexión del suministro eléctrico/nivelación	
Antes de comenzar.....	34	de la unidad	42
Herramientas	34	Puesta en marcha de la fábrica de hielo	43
Notas sobre la instalación	34	Solución de problemas	44
Componentes	34	Notas sobre el funcionamiento	44
Instalación de la fábrica de hielo	35	Cuadro de solución de problemas.....	44
Pasos de preparación.....	35	Hoja de servicio técnico	45
Montaje de la fábrica de hielo.....	37	Especificaciones.....	45
		Procedimiento de servicio técnico	45

Para solicitar ayuda o servicio técnico

Si necesita ayuda, póngase en contacto con el distribuidor o llame sin cargo al Centro de Ayuda al Cliente de Whirlpool, al **1-800-253-1301**, las 24 horas del día.

Información importante

La siguiente información se aplica a lo largo de toda la Guía de instalación. Léala detenidamente para familiarizarse con ella.

Su seguridad y la seguridad de los demás es muy importante.

Hemos incluido muchos mensajes importantes de seguridad en este manual y en su electrodoméstico. Lea y obedezca siempre todos los mensajes de seguridad.



Este es el símbolo de alerta de seguridad.

Este símbolo le llama la atención sobre peligros potenciales que pueden ocasionar la muerte o una lesión a usted y a los demás.

Todos los mensajes de seguridad irán a continuación del símbolo de advertencia de seguridad y de la palabra "PELIGRO" o "ADVERTENCIA". Estas palabras significan:

 **PELIGRO**

Si no sigue las instrucciones de inmediato, usted puede morir o sufrir una lesión grave.

 **ADVERTENCIA**

Si no sigue las instrucciones, usted puede morir o sufrir una lesión grave.

Todos los mensajes de seguridad le dirán el peligro potencial, le dirán cómo reducir las posibilidades de sufrir una lesión y lo que puede suceder si no se siguen las instrucciones.

- Esta Guía de instalación le provee las instrucciones completas sobre cómo instalar el Juego de fábrica de hielo en su congelador con fábrica de hielo y sobre cómo conectar la línea de agua en esta. Lea detenidamente la guía y siga las instrucciones al pie de la letra. También asegúrese de observar todas las instrucciones de seguridad.
- Este juego se ha diseñado para que prácticamente cualquier persona pueda instalarlo. Sin embargo, se requiere tener cierta habilidad mecánica.

LA INSTALACIÓN POR PARTE DEL CLIENTE NO ESTÁ GARANTIZADA POR EL FABRICANTE DEL REFRIGERADOR NI EL DE LA FÁBRICA DE HIELO.

Antes de comenzar

Herramientas

Reúna las herramientas y piezas necesarias antes de comenzar la instalación. Lea y siga las instrucciones provistas con cualquiera de las herramientas detalladas aquí.

1. Destornillador común
2. Destornillador Phillips
3. Llaves de extremo abierto de 7/16" y 1/2" (o una llave ajustable)
4. Alicata
5. Sacatuercas de 1/4"
6. Taladro manual y broca de 1/4"
7. Nivel pequeño manual (opcional)
8. Lima redonda pequeña de 3/4"
9. Cortador de tubos
10. Punzón
11. Martillo
12. Tijeras
13. Regla
14. Banco escalera (opcional)

Componentes

Saque el contenido de la caja de envío y coloque los artículos sobre una mesa, en donde se puedan identificar y ubicar fácilmente.

No descarte ningún material de embalaje hasta que se hayan identificado todas las piezas necesarias.

Notas sobre la instalación

Consulte el diagrama que se muestra justo al lado o debajo del texto de cada uno de los pasos si requiere clarificación. Algunas de las ilustraciones también tienen epígrafes. Los epígrafes están marcados como A, B o C y están claramente referenciados en cada paso.

Instale las piezas como se indica en cada paso y en su ilustración correspondiente.

CANT.	DESCRIPCIÓN
1	Montaje superior (TM) de la fábrica de hielo
1	Cubeta para hielo
1	Compartimiento de congelador (FC) con estante de alambre
1	Cubierta de la fábrica de hielo (en montaje inferior)
1	Extensión del tubo de llenado TM
1	Montaje inferior (BM) del tubo de llenado de agua
3	7-18 X .500 MHW TLR LSER
1	Manual de instrucciones TM/BM (nuevo)
1	Carta de garantía (2206023)

Instalación de la fábrica de hielo de hielo

Pasos de preparación

⚠ ADVERTENCIA

Peligro de Peso Excesivo

Use dos o más personas para mover e instalar la fábrica de hielo.

No seguir esta instrucción puede ocasionar una lesión en la espalda u otro tipo de lesiones.

1. Aleje la fábrica de hielo de la pared para que pueda acceder fácilmente al panel posterior.

Importante: Asegúrese de proteger el piso de cualquier daño.

⚠ ADVERTENCIA



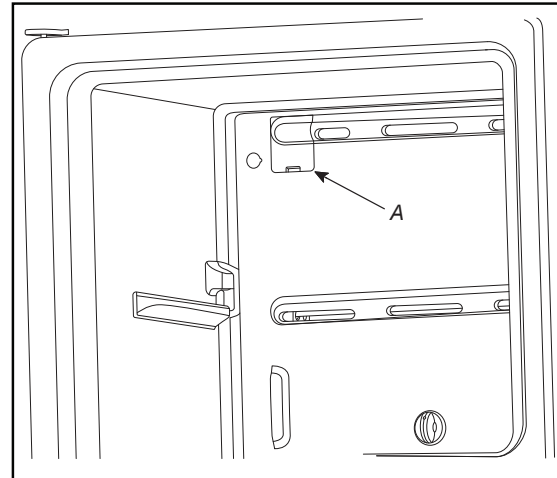
Peligro de Choque Eléctrico

Desconecte el suministro de energía antes de instalar la fábrica de hielo.

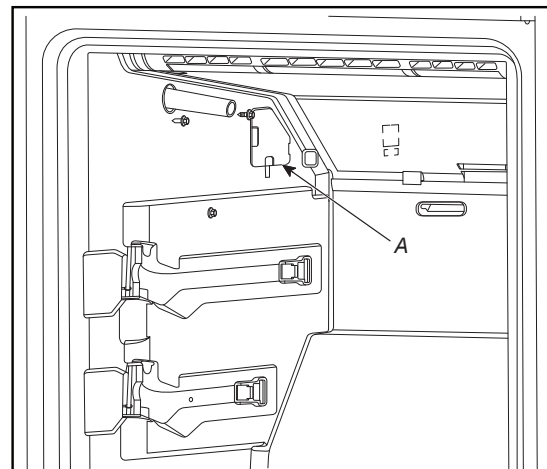
No seguir esta instrucción puede ocasionar la muerte o choque eléctrico.

2. Desenchufe la fábrica de hielo o desconecte el suministro de energía.
3. Abra la puerta del congelador y saque todos los alimentos del compartimiento del congelador.

4. La cubierta del tubo y conector de la fábrica de hielo se ubica dentro del compartimiento del congelador.

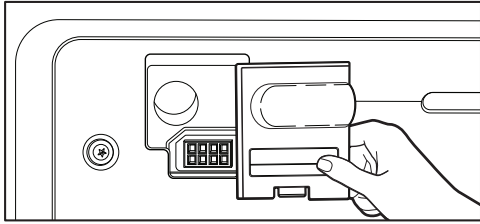


A. Cubierta del conector y del tubo
Modelos con montaje superior



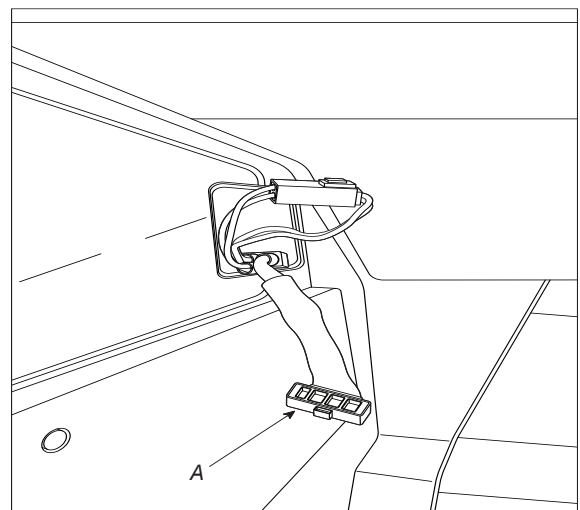
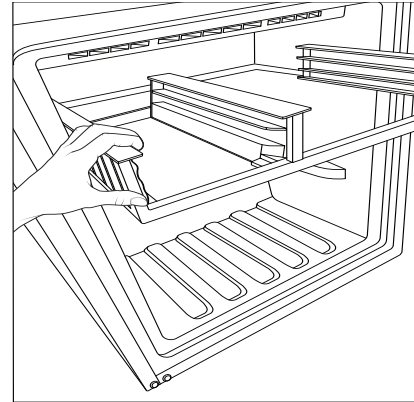
A. Conector
Modelos con montaje inferior

5. Retire la cubierta del tubo y conector de la fábrica de hielo



Modelos con montaje superior

6. Retire el estante del compartimiento del congelador. El conector de la fábrica de hielo se ubica en el lado izquierdo como se muestra en la ilustración.

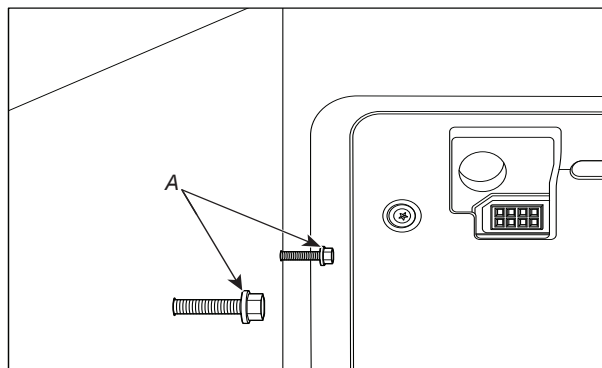


A. Conector de fábrica de hielo

Modelos con montaje inferior

Montaje de la fábrica de hielo

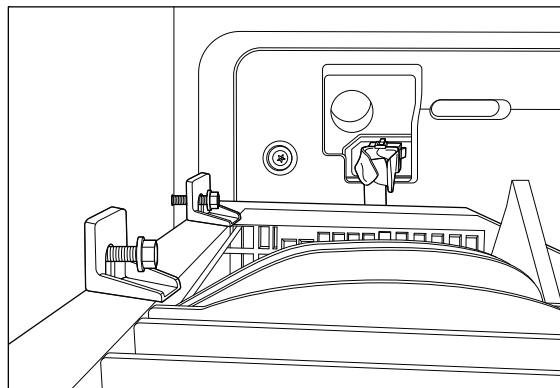
1. El compartimento del congelador viene con tornillos base para instalar la fábrica de hielo.



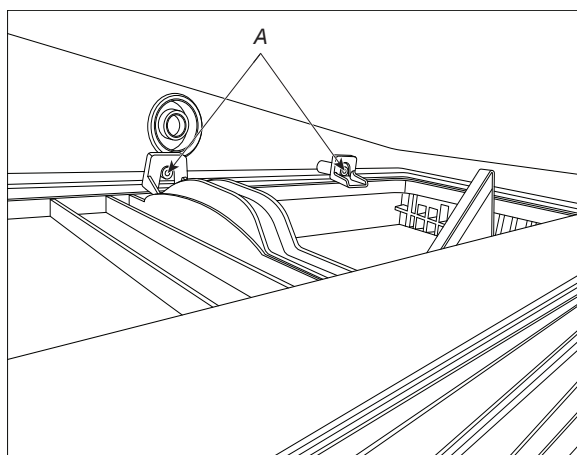
A. Tornillos base

Modelos con montaje superior

2. Alinee los dos orificios que están en la fábrica de hielo con los tornillos base. Cuelgue la fábrica de hielo en los dos tornillos base.

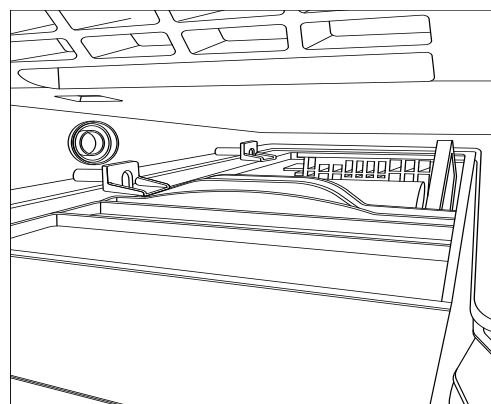


Modelos con montaje superior



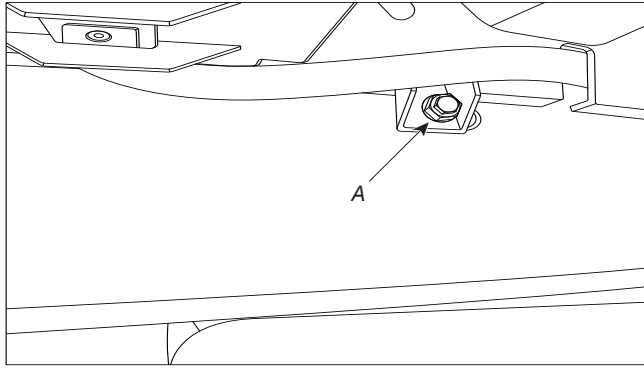
A. Tornillos base

Modelos con montaje inferior



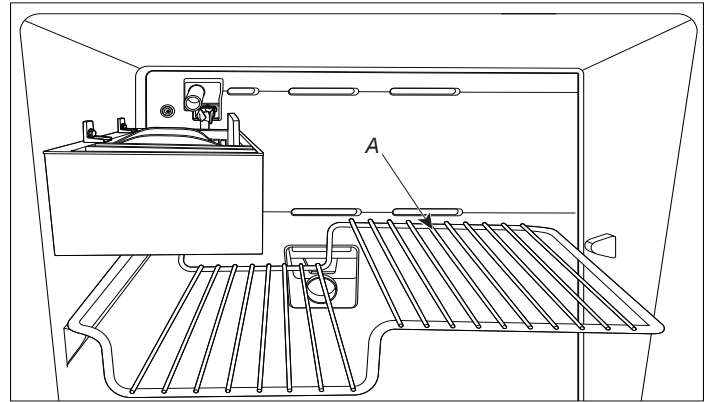
Modelos con montaje inferior

3. Instale el tornillo en el orificio de montaje del soporte como se muestra en la figura.

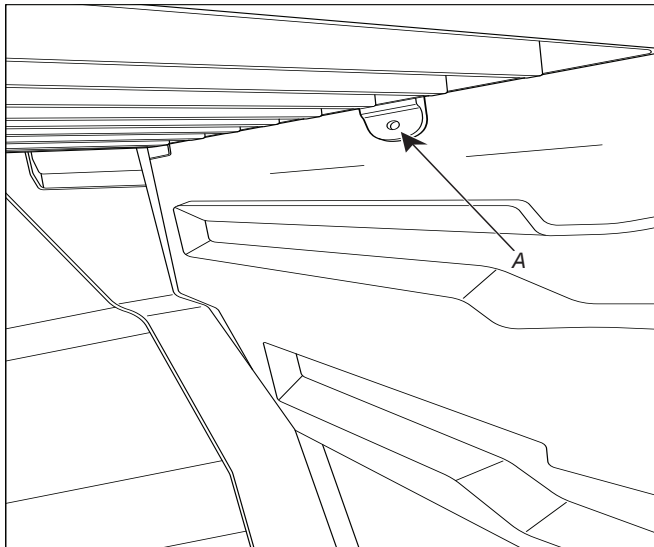


A. Orificio de montaje del soporte
Modelos con montaje superior

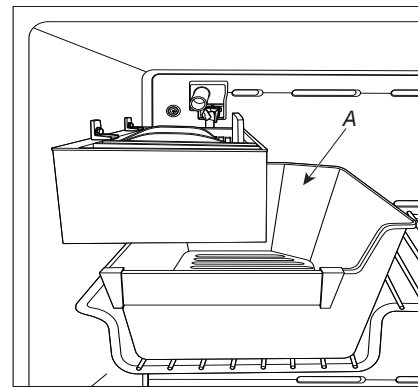
4. Instale el estante de alambre como se muestra en la figura.
5. Instale la cubeta de la fábrica de hielo como se muestra en la figura.



A. Estante de alambre

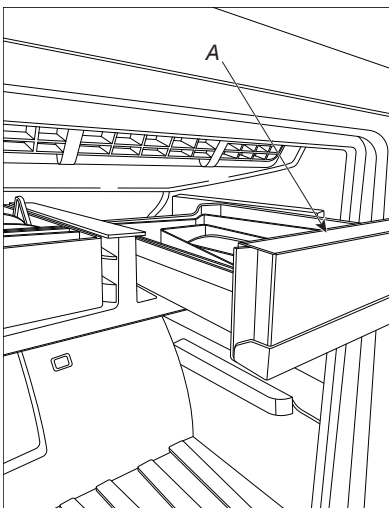


A. Orificio de montaje del soporte
Modelos con montaje inferior



A. Cubeta de la fábrica de hielo
Modelos con montaje superior

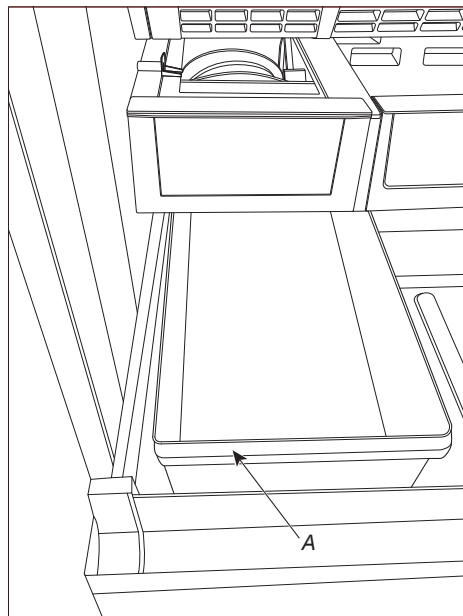
6. Instale el depósito como se muestra en la figura.



A. Depósito de la fábrica de hielo
Modelos con montaje inferior

7. Instale la cubeta de la fábrica de hielo como se muestra en la figura.

NOTA: Verifique que la cubeta de la fábrica de hielo esté correctamente ubicada debajo de la fábrica de hielo.



A. Cubeta de la fábrica de hielo
Modelos con montaje inferior

Conexión del suministro de agua

Lea todas las instrucciones antes de comenzar.

IMPORTANTE:

- Conecte solamente al suministro de agua potable.

No use con agua que no sea microbiológicamente segura o que sea de calidad desconocida sin desinfectarla adecuadamente antes o después del sistema. Pueden usarse sistemas certificados para la reducción de quistes en aguas desinfectadas que puedan contener quistes filtrables.

- La plomería se debe instalar de acuerdo con el Código internacional de plomería y cualquier norma y ordenanza local.
- Las conexiones de tuberías de cobre y polietileno reticulado (PEX) de la línea de agua doméstica al refrigerador son aceptables y ayudarán a evitar el mal sabor o mal olor en el hielo o el agua. Revise si hay fugas.
- Si se usa tubería de PEX en lugar de cobre, recomendamos los siguientes números de pieza: W10505928RP (7 ft [2,14 m] de PEX revestido), 8212547RP (5 ft [1,52 m] de PEX) o W10267701RP (25 ft [7,62 m] de PEX).
- Instale la tubería solo en áreas donde la temperatura va a permanecer por encima del punto de congelación.

Herramientas necesarias:

Reúna las herramientas y las piezas necesarias antes de comenzar la instalación.

- Destornillador de cabeza plana
- Llaves de extremo abierto de 7/16" y 1/2" o 2 llaves ajustables
- Sacatuercas de 1/4"

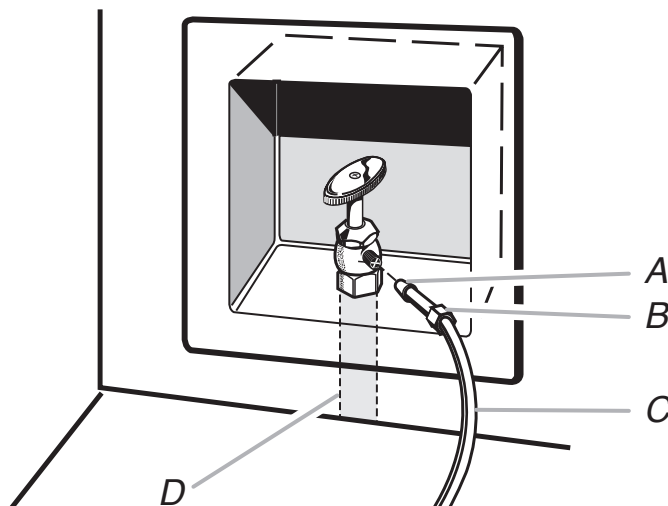
NOTA: No use una válvula perforadora o una válvula de montura de 3/16" (4,76 mm) que reduce el flujo de agua y se obstruye con mayor facilidad.

Conexión a la línea de agua

IMPORTANTE: Si encendió el refrigerador antes de conectar el agua, apague la fábrica de hielo.

1. Desenchufe el refrigerador o desconecte el suministro de energía.
2. Cierre el suministro principal de agua. Encienda el grifo más cercano el tiempo suficiente para reducir la presión de agua en el tubo de agua.
1. Use una válvula de cierre de un cuarto de vuelta o una equivalente, abastecida por una línea de suministro doméstica de 1/2"

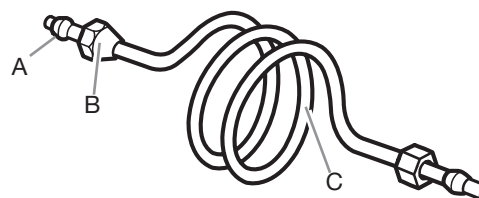
NOTA: Para que el flujo de agua al refrigerador sea suficiente, se recomienda una línea de suministro doméstica de 1/2" (12,7 mm) como mínimo.



A. Manguito
B. Tuerca

C. Tubería de cobre (al refrigerador)
D. Línea de suministro doméstica (1/2" como mínimo)

- Ahora está listo para conectar la tubería de cobre a la válvula de cierre. Use tubos de cobre de 1/4" (6,35 mm) diámetro externo (DE) para conectar la válvula de cierre y el refrigerador.
- Asegúrese de tener la longitud adecuada necesaria para el trabajo. Asegúrese de que ambos extremos de la tubería de cobre estén cortados a escuadra.
- Deslice el manguito de compresión y la tuerca de compresión sobre la tubería de cobre como se muestra. Inserte el extremo de la tubería en el extremo de salida a escuadra tanto como sea posible. Atornille la tuerca de compresión al extremo de salida con una llave de tuercas ajustable. No ajuste demasiado.



A. Manguito de compresión
B. Tuerca de compresión

C. Tubería de cobre

2. Coloque el extremo libre de la tubería en un recipiente o un fregadero, abra el suministro principal de agua y deje correr el agua por la tubería hasta que el agua salga limpia. Cierre la válvula de cierre del tubo de agua.

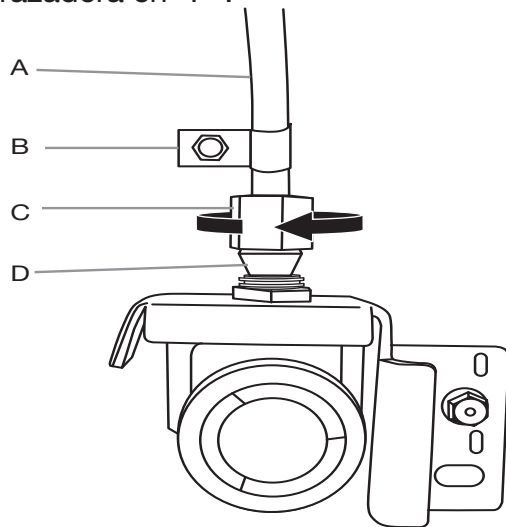
NOTA: Siempre desagüe la tubería de agua antes de efectuar la conexión final al orificio de entrada de la válvula de agua para evitar un probable mal funcionamiento de la válvula de agua.

3. Doble la tubería de cobre para que alcance la entrada de la línea de agua, la cual está ubicada en la parte posterior del gabinete del refrigerador, como se muestra. Deje un serpentín de tubería de cobre para que el refrigerador se pueda extraer del gabinete o alejar de la pared para realizar trabajos de servicio.

Conexión al refrigerador

Siga las instrucciones de conexión que sean específicas para su modelo.

1. Saque la tapa de plástico del puerto de entrada de la válvula de agua. Fije el tubo de cobre a la entrada de la válvula usando una tuerca y manguito de compresión, como se muestra. Apriete la tuerca de compresión. No ajuste demasiado. Jale la tubería de cobre para asegurarse de que esté firme.
2. Haga un lazo de servicio con la tubería de cobre. Evite las torceduras cuando enrolle la tubería de cobre. Asegure la tubería de cobre al gabinete del refrigerador con una abrazadera en "P".



A. Tubería de cobre
B. Abrazadera en "P"
C. Tuerca de compresión
D. Manguito de compresión

3. Abra el suministro de agua al refrigerador y revise si hay fugas de agua. Corrija cualquier fuga que encuentre.
4. Si desea hielo, encienda la fábrica de hielo.

Complete la instalación

⚠ ADVERTENCIA



Peligro de Choque Eléctrico

Conecte a un contacto de pared de conexión a tierra de 3 terminales.

No quite la terminal de conexión a tierra.

No use un adaptador.

No use un cable eléctrico de extensión.

No seguir estas instrucciones puede ocasionar la muerte, incendio o choque eléctrico.

1. Conecte el producto a un tomacorriente de 3 terminales con conexión a tierra.
2. Enjuague el sistema de agua. Consulte la sección "Despachadores de agua y hielo".

NOTA: Deje transcurrir 24 horas para la producción del primer lote de hielo. Deseche de los 3 primeros lotes de hielo producidos. Espere 3 días para llenar por completo el depósito de almacenamiento de hielo.

Conexión del suministro eléctrico/ nivelación de la unidad

⚠ ADVERTENCIA



Peligro de Choque Eléctrico

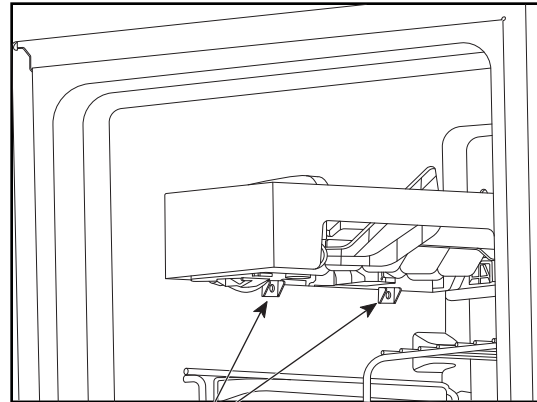
Conecte a un contacto de pared de conexión a tierra de 3 terminales.

No quite la terminal de conexión a tierra.

No use un adaptador.

No use un cable eléctrico de extensión.

No seguir estas instrucciones puede ocasionar la muerte, incendio o choque eléctrico.

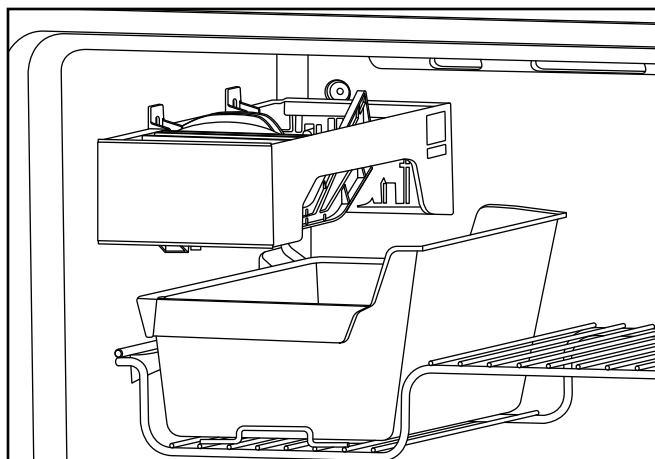


Orificio de montaje del soporte

1. Enchufe el cable en el tomacorriente de CA y empuje la fábrica de hielo hacia atrás, contra la pared.
2. Coloque un nivel encima del gabinete. Si necesita volver a nivelar la fábrica de hielo, siga el procedimiento para ajustar las ruedas frontales, como se describe en el "Manual de uso y cuidado" de su fábrica de hielo.
3. Verifique la posición de la fábrica de hielo. Si está torcida y necesita ajustarse, afloje el tornillo de montaje y el tornillo del soporte (vea el diagrama lateral), coloque la fábrica de hielo en la posición deseada y ajuste los tornillos.

Puesta en marcha de la fábrica de hielo

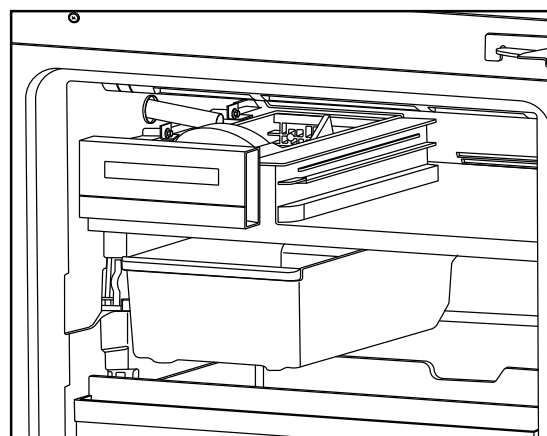
1. Lave la cubeta para hielo y luego deslícela debajo de la fábrica de hielo (vea el diagrama lateral) hasta que haga tope.



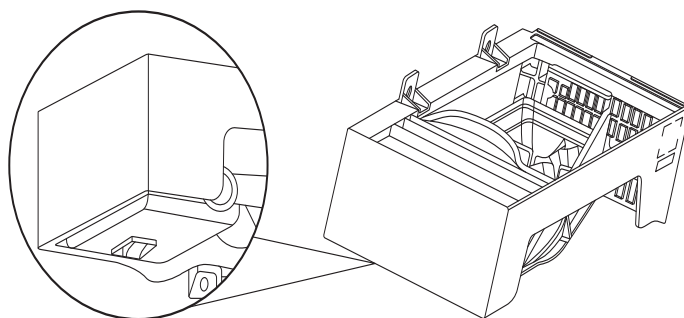
IMPORTANTE: En los modelos con montaje inferior, la cubeta para hielo se coloca debajo de la fábrica de hielo y del estante multiuso. La fábrica de hielo se debe atornillar al estante multiuso para que el balde para hielo quepa con facilidad en el compartimiento del congelador.

2. Vuelva a colocar los artículos en el compartimiento del congelador.
3. Coloque el interruptor en la posición de encendido (vea el diagrama lateral) y cierre la puerta del congelador. La fábrica de hielo comenzará a fabricar hielo en un plazo de 24 horas.

NOTA: Por lo general, la fábrica de hielo demora aproximadamente 24 horas para comenzar a producir hielo. Una vez que el hielo esté disponible, notará que no tiene buen sabor. Si esto ocurre, haga dos o tres lotes de hielo y deséchelos. Después de hacerlo, el hielo deberá tener un sabor normal. Si tiene algún problema, consulte la sección “Solución de problemas” en la página 13.



Modelos con montaje superior e inferior



Solución de problemas

Notas sobre el funcionamiento

1. La válvula de la fábrica de hielo incluye una arandela de flujo que funciona como regulador de presión para controlar el flujo de agua. Para que la fábrica de hielo funcione bien, la presión del agua de su hogar debe ser entre 20 y 120 libras por pulgada cuadrada (psi). Si la fábrica de hielo presenta problemas para producir hielo, llame a su compañía de agua y solicite que se revise la presión del agua.
2. La válvula de agua de la fábrica de hielo incluye dos filtros: uno tipo canasta de plástico y uno con malla de alambre. Para limpiarlos, cierre el agua y desensamble la válvula de agua (su centro de servicio técnico debe poder proveer este servicio). Si las condiciones del agua local requieren que se realice una limpieza periódica, o si usted utiliza un pozo como fuente de agua, deberá considerar instalar un segundo filtro de agua en la línea de agua. Puede solicitar un filtro de agua a su distribuidor de electrodomésticos de su localidad.

Cuadro de solución de problemas

El siguiente cuadro muestra varios problemas comunes que podrían ocurrir con su fábrica de hielo.

PROBLEMA	CAUSA
Se escucha uno o más de los siguientes sonidos: <ul style="list-style-type: none">• Zumbido• Agua goteando• Ruido sordo (traqueteo de hielo)	Está funcionando la válvula de agua. Se está descargando hielo dentro del depósito de hielo.
El hielo no sabe fresco.	El hielo es viejo. Haga un nuevo lote.
El agua en la fábrica de hielo se desborda.	El refrigerador o la fábrica de hielo no están nivelados. Si el agua en la fábrica de hielo sigue desbordándose, cierre el suministro de agua de la fábrica de hielo en la válvula de cierre y coloque el interruptor en la posición de apagado, luego comuníquese con su centro de servicio técnico local.
No hay suficiente hielo.	El balde para hielo demorará 48 horas en llenarse. La fábrica de hielo producirá hielo cada 2 a 3 horas. Para producir más hielo, regule el control del congelador a un ajuste más frío.
Se ha detenido la producción de hielo.	Asegúrese de que la válvula de agua esté abierta. El filtro de la válvula de agua está obstruido (comuníquese con su centro de servicio técnico local)

HOJA DE SERVICIO TÉCNICO DE LA FÁBRICA DE HIELO

ESPECIFICACIONES:

ENTRADA DEL TERMISTOR AL CONTROL: - CERRADO -8,1 °C (17,4 °) O DESPUÉS DE 100 MIN

LLENADO DE AGUA: 117 CC (ml) 13,5 S

CICLO: PROCESO DE UN GIRO

VOLTAJE DE ENTRADA MODELOS DE 120 Y 240 V

NOTA: LA FÁBRICA DE HIELO PRODUCE DE 56 A 73 CUBOS DE HIELO EN 24 HORAS

LA FÁBRICA DE HIELO DEMORA DE 2 A 3 DÍAS EN LLENAR EL DEPÓSITO DE HIELO.

(LA FÁBRICA DE HIELO REQUIERE 3 HORAS PARA ESTABILIZARSE)

PROCEDIMIENTO DE SERVICIO TÉCNICO

MOTOR DEL MÓDULO:

EL INTERRUPTOR DE ENCENDIDO/APAGADO (INTERRUPTOR PRINCIPAL) Y EL INTERRUPTOR DE PRUEBA SE UBICAN EN LA PARTE INFERIOR DE LA FÁBRICA DE HIELO.

INTERRUPTOR PRINCIPAL:

COLOQUE EL INTERRUPTOR PRINCIPAL EN LA POSICIÓN DE ENCENDIDO (COMO SE MUESTRA EN LA IMAGEN A CONTINUACIÓN) PARA ASEGURARSE DE QUE LA FÁBRICA DE HIELO VA A FUNCIONAR.

INTERRUPTOR DE PRUEBA:

MANTÉNGALO PRESIONADO DURANTE 3 SEGUNDOS; EL INTERRUPTOR DE PRUEBA OMITIRÁ EL TEMPORIZADOR Y LA TEMPERATURA (TEMPERATURA DE TERMISTOR -8,1 °C/17,4 °F) E INICIARÁ LA SECUENCIA DE PRUEBA

LA SECUENCIA DE PRUEBA SE ENCUENTRA A CONTINUACIÓN. PRUEBA DE CONTROL DE CONDICIONES NORMALES. SI LA PRUEBA COMPLETA UN CICLO COMPLETO SIN NINGUNA CONDICIÓN ANORMAL, LA FÁBRICA DE HIELO ESTÁ FUNCIONANDO BIEN.

POSICIÓN INICIAL:

LA BANDEJA PARA CUBITOS DE HIELO SE MOVERÁ A SU POSICIÓN INICIAL UNA VEZ QUE SE ENCIENDA LA FÁBRICA DE HIELO O LUEGO DE UN REINICIO, Y LUEGO COMIENZA EL PROCESO DE GIRO.

BRAZO DE ALAMBRE:

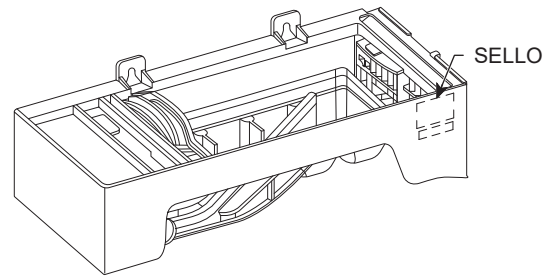
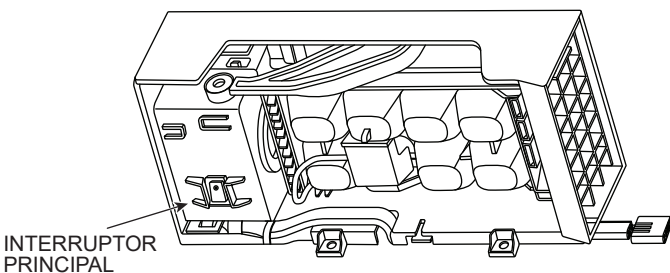
AL MISMO TIEMPO QUE EL PROCESO DE GIRO, EL BRAZO DE ALAMBRE BAJARÁ PARA DETECTAR EL NIVEL DE HIELO.

VÁLVULA DE AGUA:

SI NO DESEA COLOCAR AGUA DIRECTAMENTE DENTRO DE LA BANDEJA, RETIRE EL CONDUCTO DE LLENADO Y RECOJA EL AGUA CON UN VASO DESCARTABLE.

LA VÁLVULA SE ABRIRÁ DURANTE 6,8 SEGUNDOS PARA COLOCAR LA MITAD DEL AGUA EN LA BANDEJA, EL FLUJO DEL AGUA SE DETENDRÁ DURANTE TRES SEGUNDOS Y LUEGO LA VÁLVULA SE VOLVERÁ A ABRIR DURANTE OTROS 6,8 SEGUNDOS PARA COMPLETAR EL LLENADO (117 ml). SI LA VÁLVULA COMPLETA EL PROCESO DE LLENADO DE AGUA EN EL TIEMPO Y CON EL VOLUMEN ESPECIFICADO, LA FÁBRICA DE HIELO ESTÁ FUNCIONANDO EN PERFECTAS CONDICIONES.

NOTA: SI LA VÁLVULA DE AGUA SE ABRE UNA SOLA VEZ, SIGNIFICA QUE ALGO NO FUNCIONA BIEN EN LA FÁBRICA DE HIELO (PUEDE SER EL BRAZO DE ALAMBRE O EL MOTOR).



ESTE DIAGRAMA DE FLUJO APLICA SOLO PARA EL MODO DE INTERRUPTOR DE PRUEBA

