

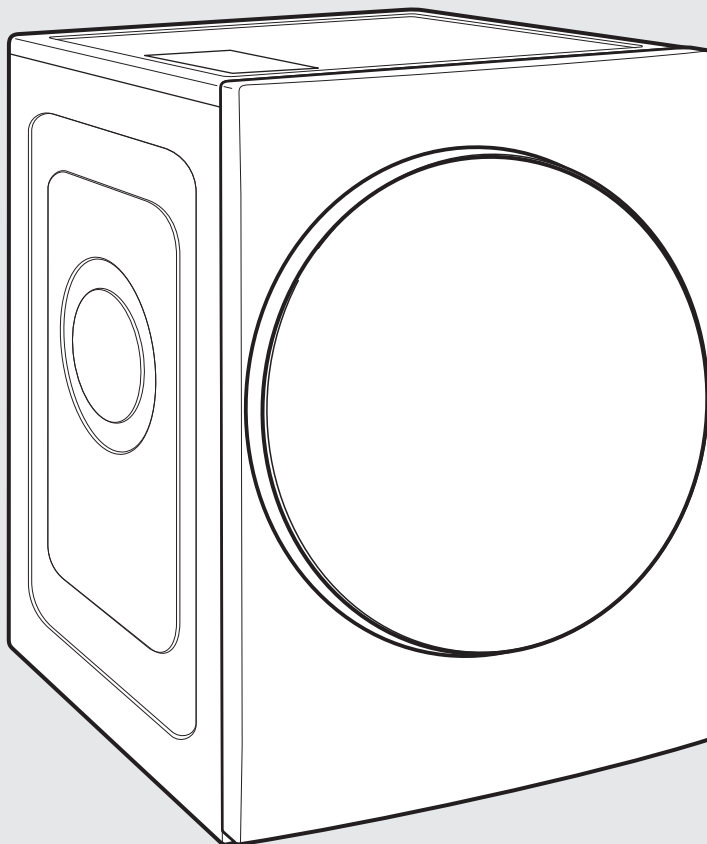


# Use and Care Guide and Installation Instructions

## Guide d'utilisation et d'entretien et Instructions d'installation

### Smart All-In-One Washer and Dryer

### Laveuse et sècheuse intelligente combinées



Para obtener acceso al Manual de uso y cuidado en español, o para obtener información adicional acerca de su producto, visite: [www.whirlpool.com](http://www.whirlpool.com)

If you have any problems or questions, visit us at [www.whirlpool.com](http://www.whirlpool.com).

Pour tout problème ou toute question, consulter [www.whirlpool.ca](http://www.whirlpool.ca).

Connect your Smart All-In-One Washer and Dryer with your mobile device at [www.whirlpool.com/connect](http://www.whirlpool.com/connect) (in Canada, [www.whirlpool.ca/en\\_ca.html](http://www.whirlpool.ca/en_ca.html))

Connecter votre laveuse et sècheuse intelligente combinées avec votre appareil mobile à [www.whirlpool.ca/fr\\_ca.html](http://www.whirlpool.ca/fr_ca.html)



Designed to use only HE High Efficiency detergents.  
Conçue pour l'utilisation d'un détergent haute efficacité seulement.

## Table of Contents

ALL-IN-ONE WASHER/DRYER SAFETY .....	2
ACCESSORIES.....	4
OPERATING INSTRUCTIONS .....	5
Control Panel and Features.....	5
Cycle Guides.....	6
Choosing the Right Detergent.....	9
Using the Load & Go™ Bulk Dispenser.....	9
Using the All-In-One Washer/Dryer.....	10
All-In-One Washer/Dryer Maintenance.....	15
INSTALLATION INSTRUCTIONS.....	19
Installation Requirements.....	19
Location Requirements .....	20
Drain System .....	22
Unpacking Washer/Dryer .....	23
Electrical Requirements – U.S.A Only .....	24
Electrical Requirements – Canada Only.....	25
Electrical Installation – U.S.A. Only .....	25
Route Drain Hose .....	29
Connect Inlet Hose.....	29
Level Washer/Dryer.....	30
Plug in Washer/Dryer.....	31
Complete Installation Checklist.....	32
Internet Connectivity Guide.....	32
TROUBLESHOOTING .....	33
Manually Unlocking the Door. ....	44
CONNECTED APPLIANCE REGULATORY NOTICES .....	45
WARRANTY.....	47
ASSISTANCE OR SERVICE .....	Back Cover

## Table des matières

SÉCURITÉ DE LA LAVEUSE/SÉCHEUSE .....	48
ACCESSOIRES.....	50
INSTRUCTIONS D'UTILISATION .....	51
Tableau de commande et caractéristiques .....	51
Guide des programmes.....	52
Choix du détergent approprié .....	55
Utilisation du distributeur Load & Go™ .....	55
Utilisation de la laveuse/sécheuse combinée .....	56
Entretien de la laveuse/sécheuse combinée.....	61
INSTRUCTIONS D'INSTALLATION .....	65
Exigences d'installation.....	65
Exigences d'emplacement .....	66
Système de vidange.....	68
Déballage de la laveuse/sécheuse .....	69
Spécifications électriques .....	70
Acheminer le tuyau de vidange.....	71
Raccorder le tuyau d'arrivée .....	71
Réglage de l'aplomb de la laveuse/sécheuse.....	72
Brancher la laveuse/sécheuse. ....	73
Liste de vérification pour installation terminée.....	74
Guide de connexion Internet.....	74
DÉPANNAGE .....	75
Déverrouillage manuel de la porte.....	87
AVIS D'APPLICATION DE LA RÉGLEMENTATION DE LA CONNEXION DES ÉLECTROMÉNAGERS.....	88
GARANTIE .....	90
ASSISTANCE OU SERVICE.....	Couverture arrière

## ALL-IN-ONE WASHER/DRYER SAFETY

### Your safety and the safety of others are very important.

We have provided many important safety messages in this manual and on your appliance. Always read and obey all safety messages.



This is the safety alert symbol.

This symbol alerts you to potential hazards that can kill or hurt you and others.

All safety messages will follow the safety alert symbol and either the word "DANGER" or "WARNING."

These words mean:

**⚠ DANGER**

You can be killed or seriously injured if you don't immediately follow instructions.

**⚠ WARNING**

You can be killed or seriously injured if you don't follow instructions.

All safety messages will tell you what the potential hazard is, tell you how to reduce the chance of injury, and tell you what can happen if the instructions are not followed.



## WARNING - "Risk of Fire"

- Washer/dryer installation must be performed by a qualified installer.
- Install the washer/dryer according to the manufacturer's instructions and local codes.
- To reduce the risk of severe injury or death, follow all installation instructions.
- Save these instructions.

## IMPORTANT SAFETY INSTRUCTIONS

**WARNING:** To reduce the risk of fire, electric shock, or injury to persons when using the washer, follow basic precautions, including the following:

- Read all instructions before using the washer.
- Do not wash articles that have been previously cleaned in, washed in, soaked in, or spotted with gasoline, dry-cleaning solvents, other flammable, or explosive substances as they give off vapors that could ignite or explode.
- Do not add gasoline, dry-cleaning solvents, or other flammable, or explosive substances to the wash water. These substances give off vapors that could ignite or explode.
- Under certain conditions, hydrogen gas may be produced in a hot water system that has not been used for 2 weeks or more. **HYDROGEN GAS IS EXPLOSIVE.** If the hot water system has not been used for such a period, before using the washing machine, turn on all hot water faucets and let the water flow from each for several minutes. This will release any accumulated hydrogen gas. As the gas is flammable, do not smoke or use an open flame during this time.
- Do not allow children to play on or in the washer. Close supervision of children is necessary when the washer is used near children.
- Before the washer is removed from service or discarded, remove the door or lid.
- Do not reach into the washer if the drum, tub or agitator is moving.
- Do not install or store the washer where it will be exposed to the weather.
- Do not tamper with controls.
- Do not repair or replace any part of the washer or attempt any servicing unless specifically recommended in this manual or in published user-repair instructions that you understand and have the skills to carry out.
- See “Electrical Requirements” located in the installation instructions for grounding instructions.

**SAVE THESE INSTRUCTIONS**

## IMPORTANT SAFETY INSTRUCTIONS

**WARNING:** To reduce the risk of fire, electric shock, or injury to persons when using the dryer, follow basic precautions, including the following:

- Read all instructions before using the dryer.
- Do not place items exposed to cooking oils in your dryer. Items contaminated with cooking oils may contribute to a chemical reaction that could cause a load to catch fire. To reduce the risk of fire due to contaminated loads, the final part of a tumble dryer cycle occurs without heat (cool down period). Avoid stopping a tumble dryer before the end of the drying cycle unless all items are quickly removed and spread out so that the heat is dissipated.
- Do not dry articles that have been previously cleaned in, washed in, soaked in, or spotted with gasoline, dry-cleaning solvents, or other flammable or explosive substances as they give off vapors that could ignite or explode.
- Do not allow children to play on or in the dryer. Close supervision of children is necessary when the dryer is used near children.
- Before the dryer is removed from service or discarded, remove the door to the drying compartment.
- Do not reach into the dryer if the drum is moving.
- Do not install or store the dryer where it will be exposed to the weather.
- Do not tamper with controls.
- Do not repair or replace any part of the dryer or attempt any servicing unless specifically recommended in this Use and Care Guide or in published user-repair instructions that you understand and have the skills to carry out.
- Do not use fabric softeners or products to eliminate static unless recommended by the manufacturer of the fabric softener or product.
- Do not use heat to dry articles containing foam rubber or similarly textured rubber-like materials.
- Clean lint screen before or after each load.
- Keep area around the exhaust opening and adjacent surrounding areas free from the accumulation of lint, dust, and dirt.
- The interior of the dryer and exhaust vent should be cleaned periodically by qualified service personnel.
- See “Electrical Requirements” located in the installation instructions for grounding instructions.

**SAVE THESE INSTRUCTIONS**

## IMPORTANT SAFETY INSTRUCTIONS

When discarding or storing your old clothes dryer, remove the door.

**SAVE THESE INSTRUCTIONS**

## ACCESSORIES

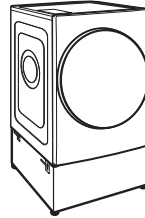
### INSTALLATION & MAINTENANCE ACCESSORIES

**FACTORY CERTIFIED PARTS** – these three words represent quality parts and accessories designed specifically for your appliance. Time tested engineering that meets our strict quality specifications.

---

## FACTORY CERTIFIED PARTS

---



#### **12" Pedestal**

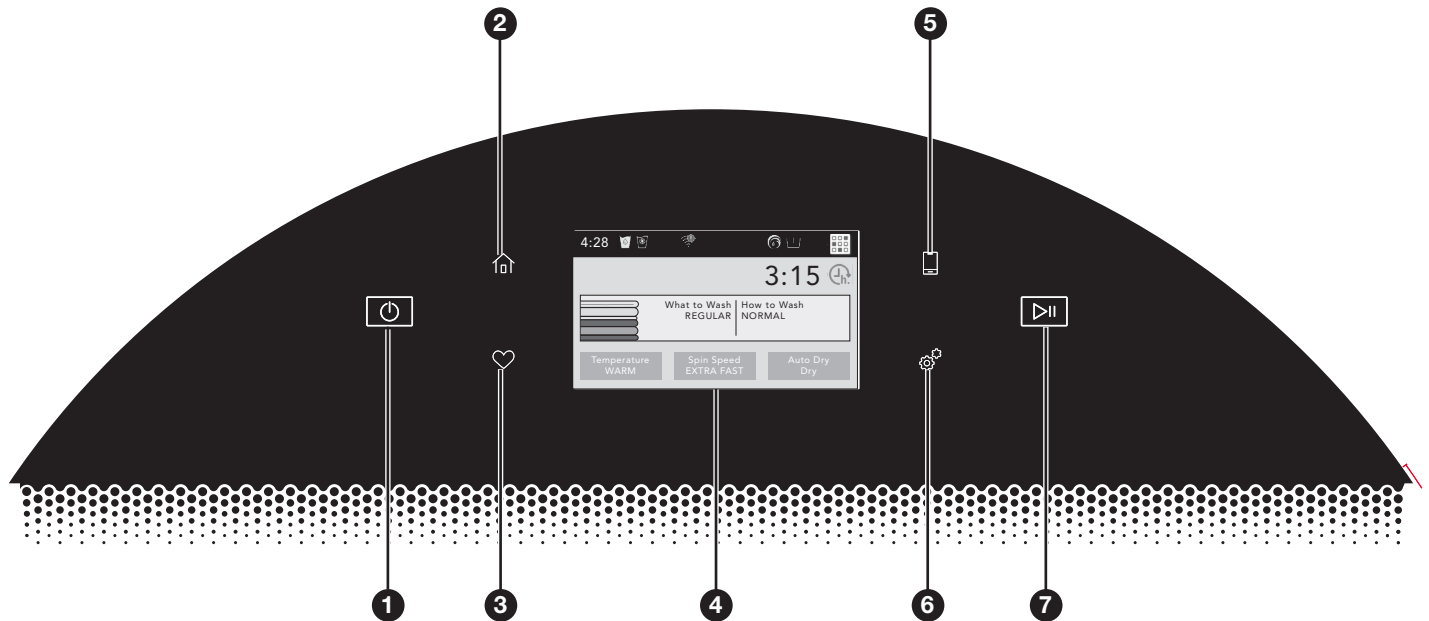
Color-matched pedestal raises the washer/dryer to a more comfortable working height.

Accessories designed for your appliance:

Customize your new washer/dryer with the following genuine Whirlpool accessory. For more information on options and ordering, call **1-866-698-2538** or visit us at: **[www.whirlpool.com](http://www.whirlpool.com)**. In Canada, call **1-800-688-2002** or visit us at **[www.whirlpool.ca](http://www.whirlpool.ca)**.

# OPERATING INSTRUCTIONS

## Control Panel and Features



### 1 POWER BUTTON

Touch to power up the washer/dryer.

### 2 HOME BUTTON

Touch this button and the LCD screen will show the home screen, where you can select your cycle, settings, and options.

### 3 FAVORITES BUTTON

Stores and accesses your favorite cycles.

### 4 LCD SCREEN

Use this screen to select cycle, settings, options, etc.

### 5 REMOTE ENABLE BUTTON

Touch this button to be able to use the Whirlpool™ app to control the washer/dryer. Download the Whirlpool™ app and follow the instructions to connect your washer/dryer to your home Wi-Fi network. You may also visit [www.whirlpool.com/connect](http://www.whirlpool.com/connect). In Canada, visit [www.whirlpool.ca/en\\_ca.html](http://www.whirlpool.ca/en_ca.html) and click on the Whirlpool® Connected Appliances link.

### 6 TOOLS BUTTON

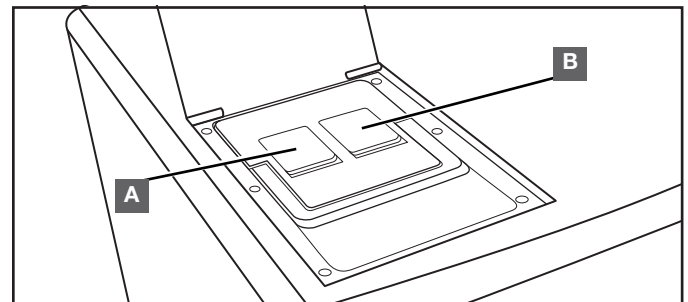
Touch this button to access the tools screen. For more information, see page 13.

### 7 START/PAUSE BUTTON

Touch to start, or touch to pause a cycle. When you start a cycle, the door will lock, the washer/dryer will sense the load size, and the wash or dry cycle will begin.

### Load & Go™ Bulk Dispenser

The Load & Go™ bulk dispenser holds up to 33.8 oz. (1000 mL) of liquid HE detergent (Dispenser 1) and 16.9 oz. (500 mL) of liquid fabric softener or liquid HE detergent (Dispenser 2), enough for multiple loads of laundry. It adds the appropriate quantity of HE detergent and liquid fabric softener to the wash load at the proper time. See “Using the Load & Go™ Bulk Dispenser” for information on using the dispenser.



#### A Dispenser 1

This dispenser holds 33.8 oz (1000 mL) of liquid HE detergent for your main wash cycle, and automatically dispenses liquid detergent at the optimum time in the cycle.

#### B Dispenser 2

This dispenser holds 16.9 oz (500 mL) of liquid fabric softener. It automatically dispenses liquid fabric softener at the optimum time in the cycle. This dispenser may instead be used as a second liquid HE detergent dispenser. See Step 11 on page 13 for information.

**IMPORTANT:** Do not use chlorine bleach in this washer/dryer, and do not use powdered detergent in the Load & Go™ bulk dispenser. Powdered detergent must be added to the drum prior to adding laundry. See “Using the All-In-One Washer/Dryer.”

# Cycle Guides

You can use this washer/dryer to wash only, dry only, or wash and dry. This washer/dryer has a unique user interface to help you select the best wash cycle for your load. The “What to Wash/How to Wash” layout guides you to the optimal cycle in two easy steps: First determine what items are in the load that you are trying to wash. Use that to guide your “What to Wash” selection. Then determine how you want the washer to wash them and select the appropriate “How to Wash” selection. Selecting “What to Wash” will automatically select a default “How to Wash selection,” so selecting a “How to Wash” is optional. See chart below for more details.

What Items Do You Want to Wash?	“What to Wash” Cycle Selection:
Cottons, linens, and mixed garment loads	Regular
Bright or darkly colored cottons, linens, and mixed loads	Colors
No-iron fabrics, dress shirts/pants, synthetics, sheer/lacy garments	Delicates
White fabrics/garments	Whites
Sturdy towels and washcloths	Towels
Large items such as small comforters, sleeping bags, jackets, and washable rugs	Bulky Items

How Do You Want to Wash Them?	“How to Wash” Cycle Selection:
Regular/normal	Normal
Fast	Quick
Gentle cleaning with cold water	Cold Wash
Powerful cleaning	Heavy Duty
Kill 99% of three common household bacteria	Sanitize

Settings and options shown in **bold** are default settings for that wash cycle. For best fabric care, choose the cycle, options, and settings that best fit the load being washed. Always read and follow fabric care labels and laundry product instructions. Avoid tightly packing the washer/dryer. The washer/dryer will not rinse well or spin correctly if tightly packed. Loading the drum half full or less will improve washing and drying performance and cycle time. Not all settings are available with each cycle, and some options cannot be used together.

What	How	Basic Settings			Additional Options				
		Temperature	Spin Speed	Dry Mode	Set Soil Level	Rinses	Pre-Soak	Tumble Fresh™	Wrinkle Shield™
Regular	Normal	Extra Hot Hot <b>Warm</b> Cool Cold	<b>Extra Fast</b> Fast Medium	Auto Timed	Light <b>Normal</b> Heavy	<b>2</b> 3 4 5	X	X	X
	Quick	Extra Hot Hot <b>Warm</b> Cool Cold	<b>Extra Fast</b> <b>Fast</b> Medium Slow Off	Auto Timed	<b>Light</b> Normal Heavy	<b>2</b> 3	X	X	X
	Cold Wash	Cool <b>Cold</b>	<b>Extra Fast</b> <b>Fast</b> Medium Slow Off	Auto Timed	Light <b>Normal</b> Heavy	<b>2</b> 3 4 5	X	X	X
	Heavy Duty	Extra Hot <b>Hot</b> Warm Cool Cold	<b>Extra Fast</b> Fast Medium Slow Off	Auto Timed	Light Normal <b>Heavy</b>	<b>2</b> 3 4 5	X	X	X
	Sanitize	<b>Extra Hot</b>	<b>Extra Fast</b> Fast Medium	Auto Timed	Light <b>Normal</b> Heavy	<b>2</b> 3 4 5		X	X

What	How	Basic Settings			Additional Options				
		Temperature	Spin Speed	Dry Mode	Set Soil Level	Rinses	Pre-Soak	Tumble Fresh™	Wrinkle Shield™
Colors	Normal	Warm <b>Cool</b> Cold	<b>Extra Fast</b> Fast Medium Slow Off	Auto Timed	Light <b>Normal</b> Heavy	<b>2</b> 3 4 5	X	X	X
	Quick	Warm <b>Cool</b> Cold	Extra Fast <b>Fast</b> Medium Slow Off	Auto Timed	<b>Light</b> Normal Heavy	<b>2</b> 3	X	X	X
	Cold Wash	Cool <b>Cold</b>	Extra Fast <b>Fast</b> Medium Slow Off	Auto Timed	Light <b>Normal</b> Heavy	<b>2</b> 3 4 5	X	X	X
Delicates	Normal	Warm <b>Cool</b> Cold	<b>Medium</b> Slow Off	Auto Timed	<b>Light</b> Normal Heavy	<b>2</b> 3 4 5	X	X	X
	Quick	Warm <b>Cool</b> Cold	<b>Medium</b> Slow Off	Auto Timed	<b>Light</b> Normal Heavy	<b>2</b> 3	X	X	X
	Cold Wash	Cool <b>Cold</b>	<b>Medium</b> Slow Off	Auto Timed	<b>Light</b> Normal Heavy	<b>2</b> 3 4 5	X	X	X
Whites	Normal	Extra Hot <b>Hot</b> Warm Cool Cold	<b>Extra Fast</b> Fast Medium Slow Off	Auto Timed	Light <b>Normal</b> Heavy	<b>2</b> 3 4 5	X	X	X
	Quick	Extra Hot Hot <b>Warm</b> Cool Cold	Extra Fast <b>Fast</b> Medium Slow Off	Auto Timed	<b>Light</b> Normal Heavy	<b>2</b> 3	X	X	X
	Heavy Duty	Extra Hot <b>Hot</b> Warm Cool Cold	<b>Extra Fast</b> Fast Medium Slow Off	Auto Timed	Light Normal <b>Heavy</b>	<b>2</b> 3 4 5	X	X	X
	Sanitize	<b>Extra Hot</b>	<b>Extra Fast</b> Fast Medium	Auto Timed	Light <b>Normal</b> Heavy	<b>2</b> 3 4 5		X	X
Towels	Normal	Extra Hot <b>Hot</b> Warm Cool Cold	<b>Extra Fast</b> Fast Medium Slow Off	Auto Timed	Light <b>Normal</b> Heavy	<b>2</b> 3 4 5	X	X	X
	Quick	Extra Hot Hot <b>Warm</b> Cool Cold	Extra Fast <b>Fast</b> Medium Slow Off	Auto Timed	<b>Light</b> Normal Heavy	<b>2</b> 3	X	X	X
	Heavy Duty	Extra Hot <b>Hot</b> Warm Cool Cold	<b>Extra Fast</b> Fast Medium Slow Off	Auto Timed	Light <b>Normal</b> Heavy	<b>2</b> 3 4 5	X	X	X
	Sanitize	<b>Extra Hot</b>	<b>Extra Fast</b> Fast Medium	Auto Timed	Light <b>Normal</b> Heavy	<b>2</b> 3 4 5		X	X

What	How	Basic Settings			Additional Options				
		Temperature	Spin Speed	Dry Mode	Set Soil Level	Rinses	Pre-Soak	Tumble Fresh™	Wrinkle Shield™
Bulky Items	Normal	Extra Hot Hot <b>Warm</b> Cool Cold	<b>Medium</b> Slow Off	Auto Timed	Light <b>Normal</b> Heavy	<b>2</b> 3 4 5	X	X	X
	Quick	Extra Hot Hot <b>Warm</b> Cool Cold	<b>Medium</b> Slow Off	Auto Timed	<b>Light</b> Normal Heavy	<b>2</b> 3	X	X	X
	Heavy Duty	Extra Hot <b>Hot</b> Warm Cool Cold	<b>Medium</b> Slow Off	Auto Timed	Light Normal <b>Heavy</b>	<b>2</b> 3 4 5	X	X	X

Government energy certifications for this model were based on the REGULAR (WHAT TO WASH), NORMAL (HOW TO WASH), DRYING MODE – AUTO DRYING OFF, TIMED DRYING 4 HOURS, DRYING ONLY ON CYCLE WITH THE MAXIMUM DRYING TEMPERATURE SETTING. The as-shipped defaults of REGULAR (WHAT TO WASH), NORMAL (HOW TO WASH), WARM TEMP, SPIN SPEED EXTRA FAST, DRYING MODE – AUTO DRYING OFF, TIMED DRYING OFF, DRYING ONLY OFF were not used.



## Choosing the Right Detergent

Use only High Efficiency detergents. The package will be marked “HE” or “High Efficiency.” Low-water washing creates excessive sudsing with a non-HE detergent. Using non-HE detergent will likely result in longer cycle times and reduced rinsing performance. It may also result in component malfunction and, over time, buildup of mold or mildew. HE detergents should be low-sudsing and quick-dispersing to produce the right amount of suds for the best performance. They should hold soil in suspension so it is not redeposited onto clean clothes. Not all detergents labeled as High Efficiency are identical in formulation and their ability to reduce suds. For example, natural, organic, or homemade HE detergents may generate a high level of suds. Always follow the detergent manufacturer’s instructions to determine the amount of detergent to use.



Use only High Efficiency (HE) detergent.

## About Detergent Concentration



Today’s liquid HE detergents are concentrated. Most brands of concentrated HE detergent will show the level of concentration on the bottle.

However, if the detergent bottle does not give the concentration, it can be easily calculated. Just divide the package size in fluid ounces by the number of loads. Then refer to the chart below to find the concentration.

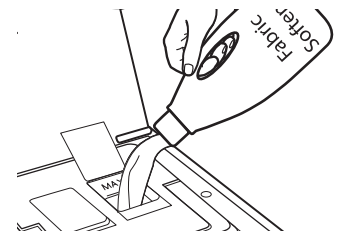
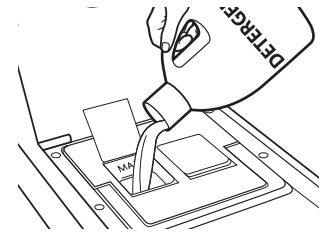
Set the concentration level setting on the washer by using the Tools button (see Step 11 on page 13). If you do not get your desired cleaning results, set the concentration level to a lower concentration number. If you have excess suds, set the concentration level to a higher concentration number.

Concentration	Number of ounces ÷ number of loads
2X	1.5–2.49 (44.4 ml–73.6 ml)
3X	0.9–1.49 (26.6 ml–44.1 ml)
4X	0.7–0.89 (20.7 ml–26.3 ml)
5X	0.5–0.69 (14.8 ml–20.4 ml)
6X	0.3–0.49 (8.9 ml–14.5 ml)

## Using the Load & Go™ Bulk Dispenser

Follow the steps below to fill the Load & Go™ bulk dispenser when using the washer for the first time, or when the low detergent icon  or low fabric softener icon  on the display indicate that the detergent or fabric softener level is running low.

1. Open the bulk container lid on the top of the washer/dryer.
2. Lift the fill door on the Liquid Detergent dispenser (Dispenser 1). Add liquid HE detergent up to the “MAX” line. Do not overfill. Close the fill door. It will click into place. **NOTE:** If Dispenser 1 is empty, you may choose to add only enough liquid HE detergent for one load.
3. Lift the fill door on the Liquid Fabric Softener dispenser (Dispenser 2). Add liquid fabric softener up to the “MAX” line. Do not overfill. Close the fill door. It will click into place. **NOTE:** If Dispenser 2 is empty, you may choose to add only enough liquid fabric softener for one load.
4. Slowly close the bulk container lid. Make sure it is completely closed.
5. Make sure that the bulk dispenser is active. Use the Tools button to make sure that both Dispenser 1 and Dispenser 2 are active and that the detergent concentration is correct. See Step 11 on page 13.



Use only High Efficiency (HE) detergent.

### NOTES:

- Dispenser 2 may be used as a second Liquid HE Detergent dispenser. Use the Tools button (go to “Load & Go™ Dispenser 2”) to change the content in Dispenser 2 and set the detergent concentration. Make sure that the other dispenser is disabled.
- The entire Load & Go™ bulk container can be easily removed for ease of cleaning.
- Thoroughly clean the Liquid Detergent dispenser (Dispenser 1) before switching to a different brand of detergent.
- Thoroughly clean the Liquid Fabric Softener dispenser (Dispenser 2) before switching from liquid fabric softener to liquid detergent, before switching back from liquid detergent to liquid fabric softener, or before switching to a different brand of detergent.

### IMPORTANT:

- Do not use chlorine bleach in this washer/dryer. Chlorine bleach will damage it.
- Do not add a single-dose laundry packet to the bulk dispenser.
- Do not use powdered HE detergent in the bulk dispenser.



# Using the All-In-One Washer/Dryer

## ⚠ WARNING



### Fire Hazard

Never place items in the washer that are dampened with gasoline or other flammable fluids.

No washer can completely remove oil.

Do not dry anything that has ever had any type of oil on it (including cooking oils).

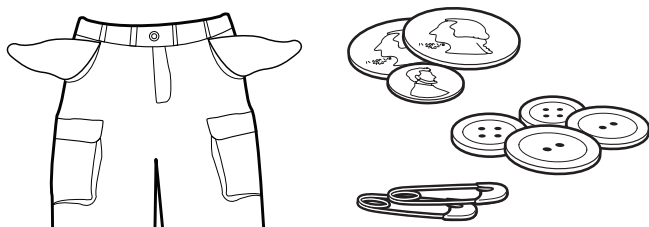
Doing so can result in death, explosion, or fire.

## First wash cycle without laundry

Before washing clothes for the first time, set up the Load & Go™ bulk dispenser (see page 9). Choose the Regular (What to Wash) and Quick (How to Wash) cycle and run it without clothes. Use only HE detergent. This initial cycle serves to ensure the interior is clean and the bulk dispenser is primed and ready for use before washing clothes.

If using liquid HE detergent in both Dispenser 1 and Dispenser 2, you will need to run a second cycle without laundry as indicated above to prime Dispenser 2 and clean the interior. Using the Tools button, make sure that Dispenser 1 is disabled when priming Dispenser 2 for detergent.

## 1. Sort and prepare your laundry



Sort items by recommended cycle, water temperature, and colorfastness. Separate heavily soiled items from lightly soiled. Separate delicate items from sturdy fabrics. Treat stains promptly and check for colorfastness by testing stain remover products on an inside seam.

### IMPORTANT:

- Empty pockets. Loose change, buttons, or any small object can plug pumps and may require a service call.
- Close zippers, fasten hooks, tie strings and sashes, and remove non-washable trim and ornaments.
- Mend rips and tears to avoid further damage to items during washing.
- Turn knits inside out to prevent pilling. Separate lint-takers from lint-givers. Synthetics, knits, and corduroy fabrics will pick up lint from towels, rugs, and chenille fabrics.
- Do not dry garments if stains remain after washing, because heat can set stains into fabric.
- Always read and follow fabric care labels and laundry product instructions. Improper usage may cause damage to your garments.

## ⚠ WARNING



### Electrical Shock Hazard

Plug into a grounded 3 or 4 prong outlet.

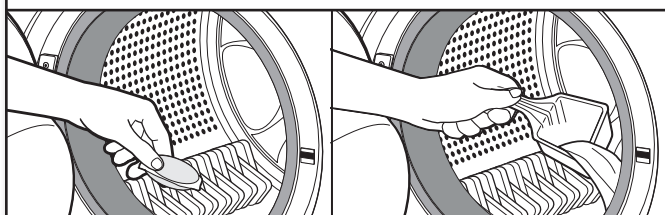
Do not remove ground prong.

Do not use an adapter.

Do not use an extension cord.

Failure to follow these instructions can result in death, fire, or electrical shock.

## 2. If desired, instead of liquid detergent, add powdered HE detergent and/or laundry products

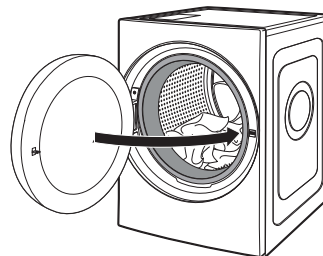


Powdered HE detergent, single-dose laundry packets, Oxi-type boosters, or scented crystals can be added to the drum prior to adding laundry. Make sure that the Load & Go™ bulk dispenser is disabled or off (see Step 11 on page 13), and skip Step 4 when using powdered HE detergent or single-dose laundry packets.

### NOTES:


- Always follow manufacturer's instructions.
- Do not use chlorine bleach.

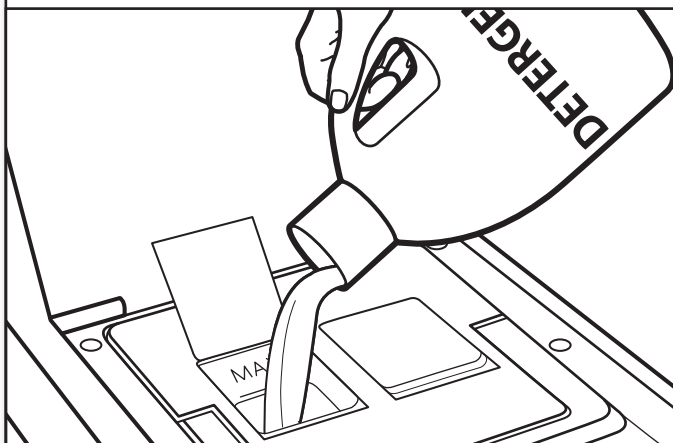
## 3. Load laundry into washer/dryer



Place a load of sorted items loosely in the washer/dryer. Items need to move freely for best cleaning and to reduce wrinkling and tangling. If using the drying option, loading the drum half full or less and not interrupting the drying cycle by opening the door will improve drying performance and cycle time. Close the washer/dryer door by pushing it firmly until the latch clicks.


- Mix large and small items and avoid washing single items. Load evenly.
- Wash small items in mesh garment bags. For multiple items, use more than one bag and fill bags equally.

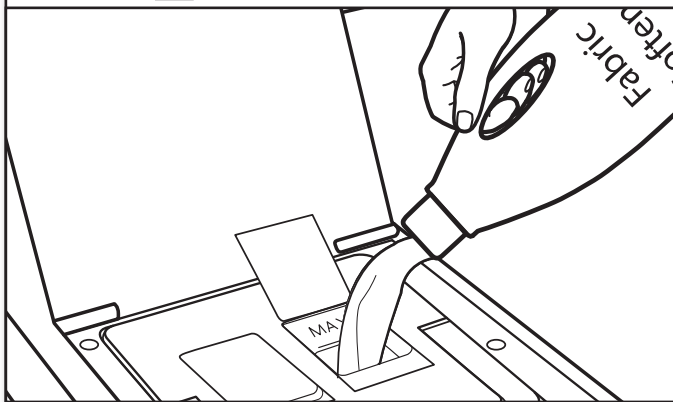
**4. Add liquid HE detergent to Load & Go™ bulk dispenser (if bulk dispenser is not already loaded or if low detergent icon  on display is lit), if desired**



See page 9 for instructions on how to fill the liquid detergent bulk dispenser (Dispenser 1). Press the TOOLS button and make sure that the bulk dispenser is active. See Step 11 on page 13.

**NOTE:** Do not add powdered HE detergent, single-dose laundry packets, Oxi-type boosters, or scented crystals to the bulk dispenser. They will not dispense correctly.

**5. Add liquid fabric softener to Load & Go™ bulk dispenser (if bulk dispenser is not already loaded or if low fabric softener icon  on display is lit), if desired**



See page 9 for instructions on how to fill the fabric softener bulk dispenser (Dispenser 2). Press the TOOLS button and make sure that the bulk dispenser is active. See Step 11 on page 13.

**IMPORTANT:**

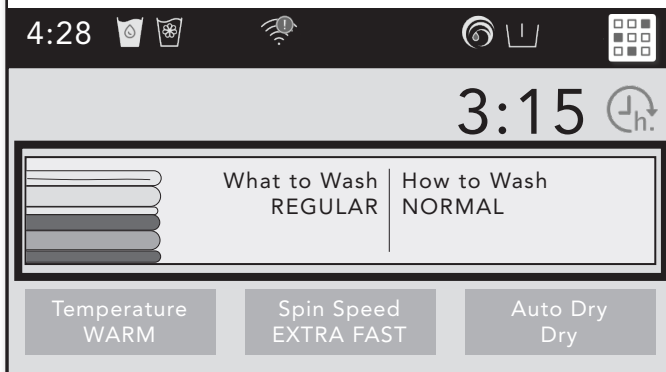
- Do not overfill or dilute fabric softener.
- Do not spill or drip any fabric softener onto the clothes.
- Do not use scented crystals in the bulk dispenser. They will not dispense correctly.
- Do not mix fabric softener and detergent in Dispenser 2 at the same time.

**6. Touch POWER button to turn on washer/dryer**



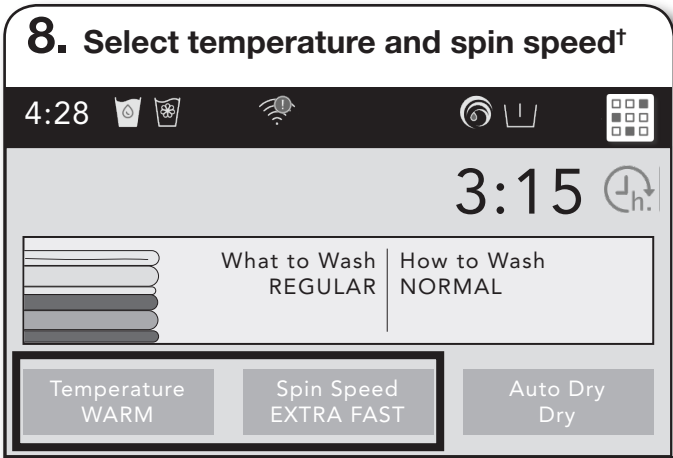
Touch until the indicators turn on.

**7. Select wash program/cycle**



From the home screen, touch the “What to Wash” area of the screen to select the program that best matches the items you want to wash. You may need to scroll down with your finger to see all of the selections. Touch the desired program to return to the home screen.

Touch the “How to Wash” area of the screen to select the program that best matches the method that you would like to wash those items. You may need to scroll down with your finger to see all of the selections. Touch the desired program to return to the home screen.



From the home screen, touch the “Temperature” area of the screen to show the Temperature settings available for the cycle/program chosen in Step 7. Touch the desired setting and touch OKAY to confirm that setting.

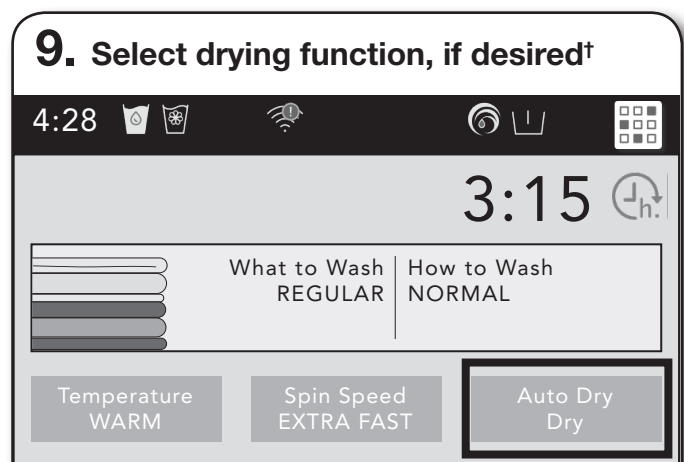
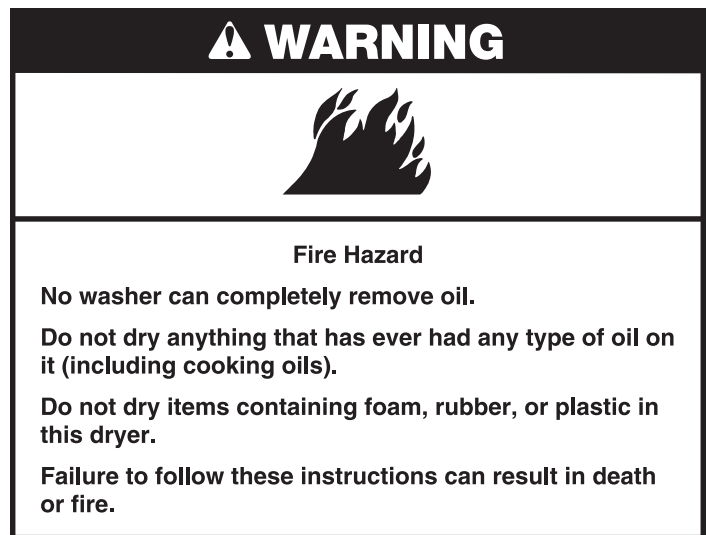
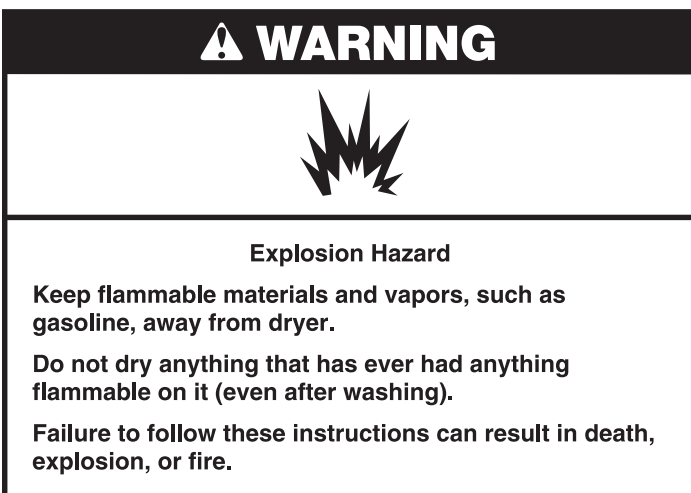
The recommended wash temperature is preset for each cycle. Some preset temperatures can be changed. You may select a different wash temperature based on the level of soil and type of fabric being washed. For best results, use the warmest wash water safe for your fabric, following the garment label instructions. All wash temperatures feature a cold rinse.

Touch the “Spin Speed” area of the screen to show the Spin Speed settings available for the cycle/program chosen in Step 7. Touch the desired setting and touch OKAY to confirm that setting.

The recommended spin speed is preset for each cycle. Some preset speeds can be changed.

- Faster spin speeds mean shorter dry times, but may increase wrinkling in your load.
- Slower spin speeds reduce wrinkling, but will leave your load more damp.

## Drying Function (Step 9)



From the home screen, touch the “Drying Mode” area of the screen to show the available Drying Mode settings.

From the Drying Mode screen, choose between Auto-Drying and Timed-Drying. For Auto-Drying, touch Auto-Drying and then touch the screen to choose between Damp Dry, Dry, and Extra Dry. For Timed-Drying, touch Timed-Drying and then touch the screen to choose between :30 HR, 1:00 HR, 1:30 HR, 2:00 HR, 3:00 HR, and 4:00 HR. Expect longer drying times than with traditional vented dryers.

### To run a dry cycle only:

Load the drum half full or less for optimal drying performance and cycle time. From the home screen, touch the “Drying Mode” area of the screen to show the available Drying Mode settings, and from the Drying Mode screen, after making the Auto-Drying or Timed-Drying choices as mentioned above, touch “DRYING ONLY ON.” Do not open the door during the drying cycle.

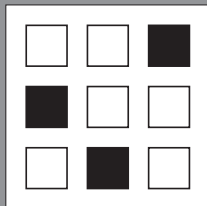
**NOTE:** If items to dry are highly saturated, run a high speed Spin cycle prior to running the Dry cycle.

### IMPORTANT:

- Do not use dryer sheets.
- Do not dry comforters or large blankets.

†Not all options and settings are available with all programs/cycles. See “Cycle Guides” for available options and settings.

## 10. Select options, if desired†



From the home screen, touch the Options icon (at upper right of screen) and the Options screen will show Soil Level, Extra Rinses, Pre-Soak, Tumble Fresh™, and Wrinkle Shield™ selections. Previously selected “What to Wash” and “How to Wash” options will be shown on the screen. Touch the screen for each option to change its setting.

### Soil Level Option

The Soil Level option allows you to select a Light, Normal, or Heavy soil level setting. The recommended soil level is preset for each cycle. Some preset soil levels can be changed. For heavily soiled and sturdy fabrics, select the Heavy soil level setting. For lightly soiled and delicate fabrics, select the Light soil level setting. Lower soil level settings will help reduce tangling and wrinkling.

### Extra Rinses Option

The Extra Rinses option provides one or more additional rinses to the selected cycle. The extra rinses can be canceled at any time by touching the “X” on the touch screen to the right of the estimated time remaining.

### Pre-Soak Option

The Pre-Soak option can be set either on or off. Pre-Soak may be ended at any time by touching the “X” on the touch screen to the right of the estimated time remaining.

### Tumble Fresh™ Option

The Tumble Fresh™ option will periodically tumble the load after the end of the cycle for up to 12 hours. Touch TUMBLE FRESH to activate this option. This option is not available when a drying mode is selected. Tumble Fresh™ may be ended at any time by touching the “X” on the touch screen to the right of the estimated time remaining.

### Wrinkle Shield™ Option

The Wrinkle Shield™ option is only available when a drying mode is selected, and will periodically tumble the load after the end of the cycle for up to 12 hours. Wrinkle Shield™ may be ended at any time by touching the “X” on the touch screen to the right of the estimated time remaining.

## 11. Use Tools button to change other settings, if desired



The Tools button gives access to many other settings, utility cycles, preferences, and information. Touch the TOOLS button to access the Tools screen, which contains the following (you will need to scroll down with your finger to access all of the selections).

### Load & Go™ Dispenser 1

Press this icon to access:

Load & Go™ Status Dispenser 1 and choose between:

- Active
- Disabled (1 Cycle)
- Off (Permanently)

Detergent Concentration Dispenser 1 and choose between:

- 2X
- 4X
- 6X
- 8X

### Load & Go™ Dispenser 2

Press this icon to access:

Load & Go™ Status Dispenser 2 and choose between:

- Active
- Disabled (1 Cycle)
- Off (Permanently)

Load & Go™ Content Dispenser 2 and choose between:

- Softener
- Detergent

Once set at Detergent:

Set Concentration Dispenser 2 and choose between:

- 2X
- 4X
- 6X
- 8X

### Control Lock

Press this icon to lock the controls. Swipe up to unlock.

### Mute

Press this icon to mute or unmute sounds.

### Utility Cycles

Press this icon to access the following utility cycles: Spin, Drain, Rinse & Spin, and Clean Washer with affresh® cycle. Touch the utility cycle you wish to use and follow the screen prompts.

### Preferences

Press to access Times and Dates, Sound Volume, Display Settings, and Regional. Follow the screen prompts.

### WiFi

Press to access Connect to Network, SAID (Smart Appliance ID) Codes, Mac Address, and WiFi. Follow the screen prompts.

### Info

Press to access Service & Support, Store Demo Mode, Restore Factory, WiFi Terms and Conditions, and Software Terms and Conditions. Follow the screen prompts.

†Not all options and settings are available with all programs/cycles. See “Cycle Guides” for available options and settings.

## 12. Touch START/PAUSE button to begin cycle



Touch the START/PAUSE button to start the cycle. To pause a cycle in progress, touch the START/PAUSE button once, then touch again to continue the cycle. To cancel a cycle, touch the “X” on the touch screen to the right of the estimated time remaining.

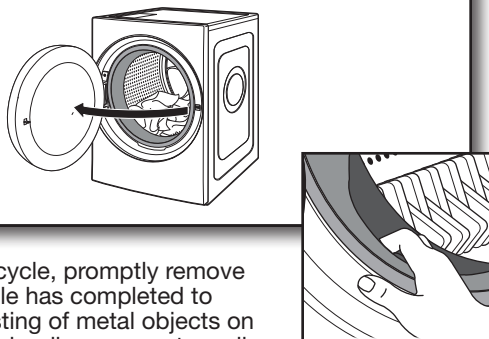
Once you touch the START/PAUSE button, you will hear the door lock. The washer/dryer door will remain locked during a wash cycle.

## 13. Touch POWER button to turn off washer/dryer after cycle ends



Touch the POWER button to turn off the washer/dryer at the end of a cycle. The Power button is also used to turn on the washer/dryer before use.

## 14. Remove garments promptly after cycle is finished



After a wash-only cycle, promptly remove garments after cycle has completed to avoid odor and rusting of metal objects on garments. When unloading garments, pull back the door seal and check for small items between the tub and the washer/dryer drum.

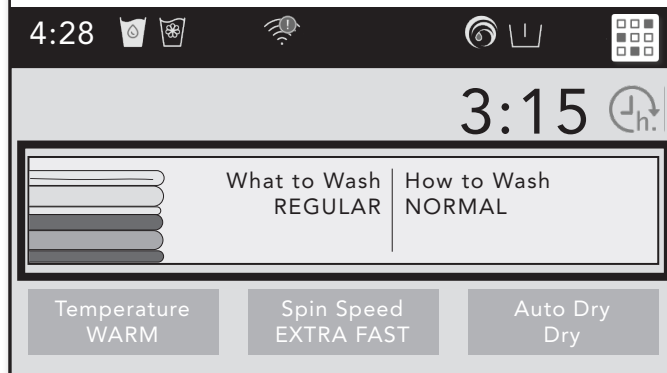
If you will be unable to remove the load promptly after a wash-only cycle, use the Tumble Fresh™ option (see Step 10, page 13).

After a wash and dry cycle or a dry-only cycle, promptly remove garments after cycle has completed to reduce wrinkling. If you will be unable to remove a load promptly, use the Wrinkle Shield™ option (see Step 10, page 13).

### NOTES:

- The door will remain locked while the Tumble Fresh™ option is active after a wash-only cycle. To cancel the Tumble Fresh™ option and unlock the door, touch the “X” on the touch screen to the right of the estimated time remaining.
- This washer/dryer has a tight seal to avoid water leaks. To avoid odors, leave the door open to allow the washer/dryer to dry between uses.
- If a dry cycle is interrupted and the load removed before the cool-down period at the end of the cycle, the load will be very hot.

## Setting a delayed start



Touch POWER until the indicators turn on. From the home screen, make sure the washer/dryer is set to the correct time and date (if it is not, see Step 11 on page 13 for instructions on how to set the time and date).

Touch the clock icon on the far right portion of the touch screen. The “Select a start time” screen will show on the display. Scroll horizontally to select a preferred start time for your wash or dry cycle. The times will display in 15-minute increments. Press OKAY to set the start time. The display will return to the home screen and the clock icon will turn brown.

To delete or modify the delayed start, press the clock icon again and follow the screen prompts.

# All-In-One Washer/Dryer Maintenance

## CLEANING THE WASHER/DRYER LOCATION

Keep washer/dryer area clear and free from items that would block the airflow for proper dryer operation. This includes clearing piles of laundry in front of the washer/dryer.

## ⚠ WARNING



### Explosion Hazard

**Keep flammable materials and vapors, such as gasoline, away from dryer.**

**Place dryer at least 18 inches (460 mm) above the floor for a garage installation.**

**Failure to do so can result in death, explosion, or fire.**

## WASHER/DRYER CARE

### Recommendations to Help Keep Your Washer/Dryer Clean and Performing at its Best

1. Always use High Efficiency (HE) detergents and follow the HE detergent manufacturer's instructions regarding the amount of HE detergent to use. Never use more than the recommended amount because that may increase the rate at which detergent and soil residue accumulate inside your washer, which in turn may result in undesirable odor.
2. Use warm or hot water washes sometimes (not exclusively cold water washes), because they do a better job of controlling the rate at which soils and detergent accumulate.
3. Always leave the washer/dryer door slightly ajar between uses to help dry out the washer/dryer and avoid the buildup of odor-causing residue.
4. Periodically clean residue from all interior surfaces of the glass window. For better care, wipe the entire inside of the glass door with a damp cloth.

### Cleaning Your Front-Loading Washer/Dryer

Read these instructions completely before beginning the routine cleaning processes recommended below. This Washer Maintenance Procedure should be performed, at a minimum, once per month or every 30 wash cycles, whichever occurs sooner, to control the rate at which soils and detergent may otherwise accumulate in your washer/dryer.

#### Cleaning the Door Seal

1. Open the washer/dryer door and remove any clothing or items from the washer/dryer.
2. Inspect the seal between the door opening and the drum for stained areas or soil buildup. Pull back the seal to inspect all areas under the seal and to check for foreign objects.
3. If stained areas or soil buildup are found, wipe down these areas of the seal using the following procedure:  
When the cycle is complete, gently pull back the rubber door seal and clean the entire surface with the textured side of an affresh® Machine Cleaning Wipe.

## WASHER/DRYER CARE (cont.)

### Cleaning the Inside of the Washer/Dryer

This washer/dryer has a special cycle that uses higher water volumes in combination with affresh® Washer Cleaner to thoroughly clean the inside of the washer/dryer.

**NOTE:** Read these instructions completely before beginning the cleaning process.

#### Begin procedure

##### Clean Washer with affresh® Cycle Procedure (Recommended for Best Performance):

- a. Open the washer/dryer door and remove any clothing or items.
- b. Use an affresh® Machine Cleaning Wipe or a soft, damp cloth or sponge to clean the inside door glass.
- c. Add an affresh® Washer Cleaner tablet to the washer drum.
- d. Do not add the affresh® Washer Cleaner tablet to the bulk dispenser.
- e. Do not add any detergent or other chemical to the washer/dryer when following this procedure.
- f. Close the washer/dryer door.
- g. Select the Clean Washer with affresh® cycle.
- h. Select the Tumble Fresh™ option to help dry the washer/dryer interior after the cycle is complete.  
**NOTE:** The washer/dryer remembers your last option selection and will use it for future wash cycles until you deselect that option.
- i. Touch the START/PAUSE button to begin the cycle. The Clean Washer with affresh® cycle operation is described below.

#### Description of Clean Washer with affresh® Cycle Operation:

1. Do not run this cycle with a load. Doing so could damage the items.
2. After the cycle is complete, leave the door open slightly to allow for better ventilation and drying of the washer/dryer interior.

#### Cleaning the Load & Go™ Bulk Dispenser

After a period of using your washer/dryer, you may find some residue buildup in the Load & Go™ bulk dispenser. To remove residue from the dispensers, lift the handle on the dispenser container housing to remove it from the washer/dryer cabinet, then rinse the two dispensers thoroughly with running water. Wipe the outside dispenser container surfaces with an affresh® Machine Cleaning Wipe or a damp cloth and towel dry. Use an all-purpose surface cleaner, if needed. Replace the dispenser container in the washer/dryer cabinet and make sure that it is seated.

**IMPORTANT:** Load & Go™ bulk dispenser container is not dishwasher-safe.

#### Cleaning the Outside of the Washer/Dryer

Use an affresh® Machine Cleaning Wipe or a soft, damp cloth or sponge to wipe up any spills. Occasionally wipe the outside of your washer/dryer to help keep it looking new. Use an affresh® Machine Cleaning Wipe or mild soap and water.

**IMPORTANT:** To avoid damaging the washer/dryer finish, do not use abrasive products.

## CLEAN WASHER CYCLE REMINDER

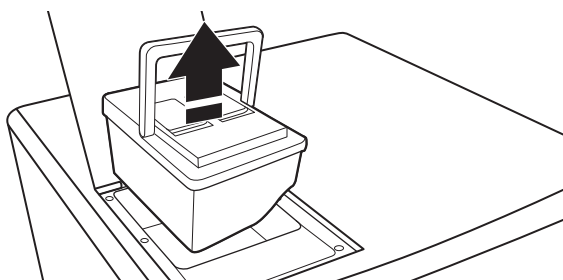
The Clean Washer with affresh® message will flash at the end of a wash cycle when the washer has run 30 wash cycles. This is a reminder to run the Clean Washer with affresh® cycle.

If the Clean Washer with affresh® cycle is not run, the message will stop flashing at the end of a wash cycle after running three more regular wash cycles. After 30 more wash cycles are completed, the Clean Washer with affresh® message will again flash at the end of a wash cycle as a reminder.

## REMOVING THE LOAD & GO™ BULK CONTAINER

### To remove:

1. Lift the bulk container lid on the top of the washer/dryer.
2. Lift up on the bulk container handle and pull straight up and out of the washer/dryer.



### To replace:

1. Place the bulk container back into the bulk container cavity on the top of the washer/dryer and make sure that it is seated.
2. Close the bulk container lid.

## WATER INLET HOSE

Replace inlet hose after 5 years of use to reduce the risk of hose failure. Periodically inspect and replace inlet hose if bulges, kinks, cuts, wear, or leaks are found.

When replacing your inlet hose:

- Mark the date of replacement on the label with a permanent marker.
- Check that the old washer is not stuck on the washer inlet valve.
- Use a new washer in the new inlet hose to ensure a proper seal.

## NON-USE AND VACATION CARE

If moving, or not using your washer/dryer for a period of time, follow these steps:

1. Unplug or disconnect power to washer/dryer.
2. Turn off water supply to washer/dryer to avoid flooding due to water pressure surges.

**HELPFUL TIP:** Attach a reminder note to the washer/dryer to turn the water back on before washer's next use.

3. Clean the bulk dispenser. See "Cleaning the Load & Go™ Bulk Dispenser."

## WINTER STORAGE CARE

**IMPORTANT:** To avoid damage, install and store washer/dryer where it will not freeze. Because some water may stay in hoses, freezing can damage washer/dryer. If storing or moving during freezing weather, winterize your washer/dryer.

### To winterize washer/dryer:

1. Shut off water faucet, disconnect and drain water inlet hose.  
**HELPFUL TIP:** Attach a reminder note to the washer/dryer to turn the water back on before washer's next use.
2. Remove drain pump filter.
3. Put 1 qt. (1 L) of R.V.-type antifreeze in drum and run washer on Normal cycle for about 2 minutes to mix antifreeze and remaining water.
4. Unplug washer/dryer or disconnect power.



## **⚠ WARNING**



### **Electrical Shock Hazard**

**Disconnect power before cleaning.**

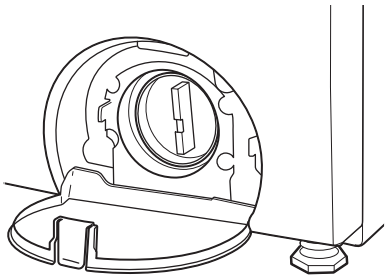
**Replace all parts and panels before operating.**

**Failure to do so can result in death or electrical shock.**

## **CLEANING THE DRAIN PUMP FILTER/ DRAINING RESIDUAL WATER**

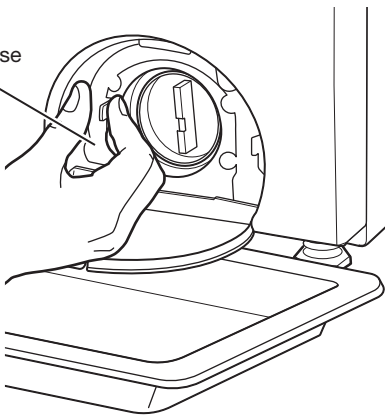
**NOTE:** Perform the following procedure every 6 months.

1. Open the drain pump filter access door at the bottom right corner at the front of the washer/dryer.



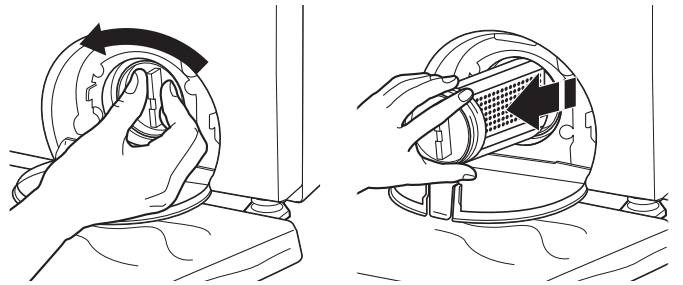
2. Place a broad, flat pan beneath the drain pump filter to collect the drain water. Pull out the black hose, remove the plug, and drain the hose into the pan. Empty the pan. Replace the drain hose plug and put the hose back into place. Repeat this procedure if necessary until all the water has drained. Make sure that the black hose is completely dry.

Black hose

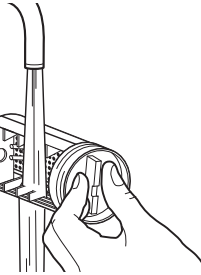


## **CLEANING THE DRAIN PUMP FILTER/ DRAINING RESIDUAL WATER (cont.)**

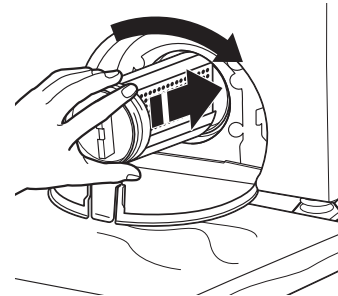
3. Lay a cotton cloth beneath the drain pump filter to absorb any water still in it. Then remove the drain pump filter by turning it counterclockwise.



4. Remove large clumps of lint by hand from the filter and place lint in a suitable waste container. Remove remaining residue from the filter by rinsing with water.



5. Reinsert the drain pump filter by turning it clockwise. Make sure to turn it in as far as it will go, with the filter handle left in a vertical position.



## TRANSPORTING YOUR WASHER/DRYER

1. Shut off water faucet. Disconnect and drain water inlet hose.
2. If washer/dryer will be moved during freezing weather, follow “Winter Storage Care” directions before moving.
3. Disconnect drain hose from drain system and from back of washer/dryer.
4. Unplug power cord.
5. Place inlet hose and drain hose inside drum.
6. Bundle power cord with a rubber band or cable tie to keep it from hanging onto the ground.

**IMPORTANT:** Call for service to install new transport bolts. Do not reuse transport bolts. Washer/dryer must be transported in the upright position. To avoid structural damage to your washer/dryer, it must be properly set up for relocation by a certified technician.

## ⚠ WARNING



### Electrical Shock Hazard

**Plug into a grounded 3 or 4 prong outlet.**

**Do not remove ground prong.**

**Do not use an adapter.**

**Do not use an extension cord.**

**Failure to follow these instructions can result in death, fire, or electrical shock.**

## REINSTALLING/USING WASHER/DRYER AGAIN

To reinstall washer/dryer after non-use, vacation, winter storage, or moving:

1. Refer to “Installation Instructions” to locate, level, and connect washer/dryer.
2. Before using again, run washer/dryer through the following recommended procedure:

### To use washer/dryer again:

1. Flush water pipes and hose. Reconnect water inlet hose. Turn on water faucet.
2. Plug in washer/dryer or reconnect power.
3. Run washer/dryer through Heavy Duty wash cycle to clean washer/dryer and remove antifreeze, if used. Use only HE detergent. Use half the manufacturer’s recommended amount for a medium-size load.

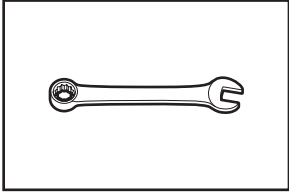
# INSTALLATION INSTRUCTIONS

## Installation Requirements

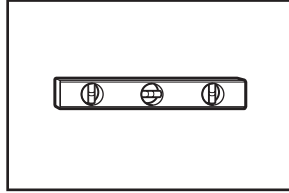
### Tools and Parts

Gather required tools and parts before starting installation.

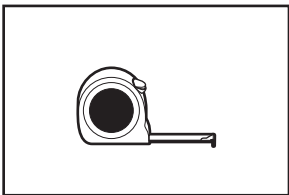
#### Tools needed:



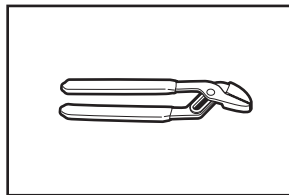
Adjustable or open-end wrenches 3/8" (10 mm) and 1/2" (13 mm)



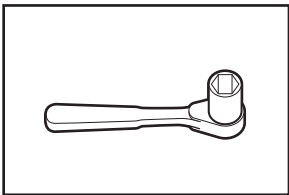
Level



Ruler or measuring tape



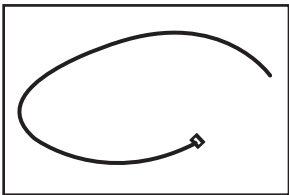
Pliers that open to 1 9/16" (39.5 mm)



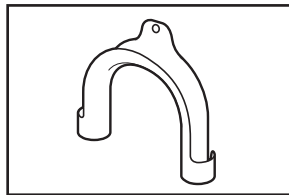
3/8" (10 mm) socket wrench

#### Parts supplied:

**NOTE:** All parts supplied for installation are in the washer/dryer drum. Inlet hoses and washers are not included.

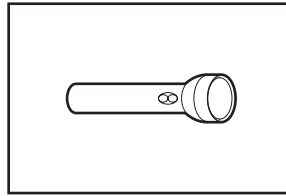


Cable tie

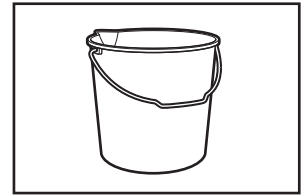


U-shaped hose form

#### Optional tools:



Flashlight



Bucket

#### Alternate parts: (Not supplied with washer/dryer)

Your installation may require additional parts. To order, please refer to toll-free numbers on the back page of this manual.

#### Available accessory:


- An optional matching pedestal is available to raise your washer/dryer to a more comfortable working height.

To order, see the "Accessories" section on page 4, call the dealer from whom you purchased your washer/dryer, or refer to the "Assistance or Service" section.

## Location Requirements

Proper installation is your responsibility. Check code requirements. Some codes limit, or do not permit, installing washer/dryer in garages, closets, mobile homes, or sleeping quarters. Contact your local building inspector.

**⚠ WARNING**

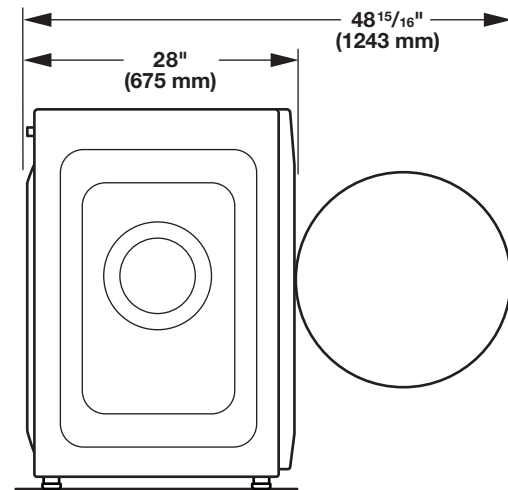
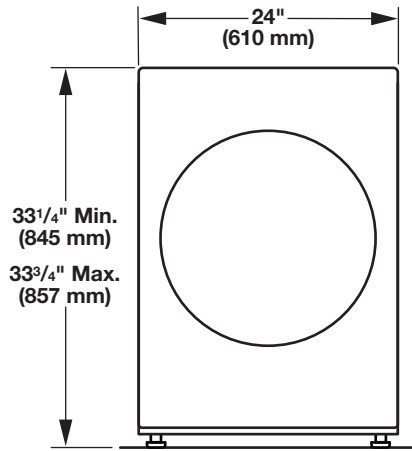


**Explosion Hazard**  
**Keep flammable materials and vapors, such as gasoline, away from dryer.**  
**Place dryer at least 18 inches (460 mm) above the floor for a garage installation.**  
**Failure to do so can result in death, explosion, or fire.**

### You will need:

- A separate 30 amp circuit.
- A grounded electrical outlet located within 2 ft. (610 mm) of either side of washer/dryer. See “Electrical Requirements.”
- Water faucet located within 4 ft (1.2 m) of water fill valve on washer/dryer, and water pressure of 20–100 psi (137.9–689.6 kPa).
- A level floor with maximum slope of 1" (25 mm) under entire washer/dryer. Installing on carpet or surfaces with foam backing is not recommended.
- Floor must support washer/dryer's total weight (with water and load) of 400 lbs (180 kgs).
- For garage installation, place washer/dryer at least 18" (460 mm) above floor. If using a pedestal, you will need 18" (460 mm) to bottom of washer/dryer.

**IMPORTANT:** Do not install, store, or operate washer/dryer where it will be exposed to weather or in temperatures below 32°F (0°C). Water remaining in washer/dryer after use may cause damage in low temperatures. See “All-In-One Washer/Dryer Maintenance” for winterizing information.

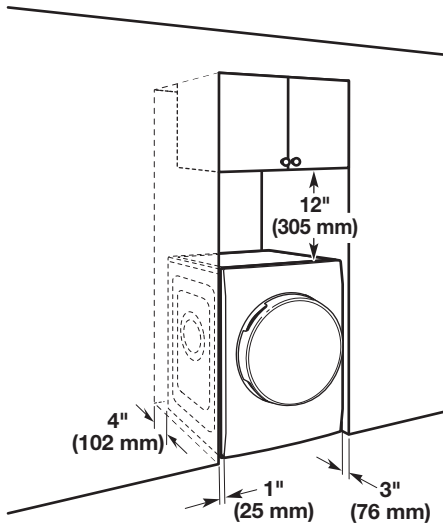


All dimensions show recommended spacing allowed, except for closet door ventilation openings which are the minimum required. For each arrangement, consider allowing more space for ease of installation and servicing, and spacing for companion appliances and clearances for walls, doors, and floor moldings.

Space must be large enough to allow door to fully open. Add spacing of 1" (25 mm) on all sides of washer/dryer to reduce noise transfer. If a closet door or louvered door is installed, top and bottom air openings in door are required.

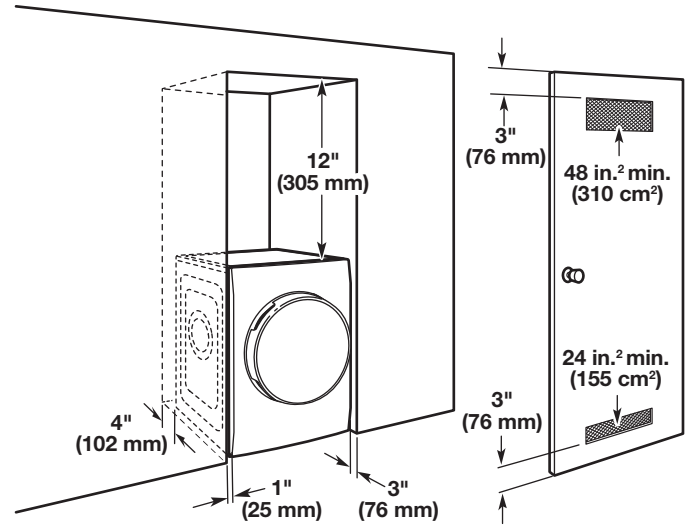
## Location Requirements (cont.)

### Custom cabinet installation:



**NOTE:** The 12" minimum space above the washer/dryer is required for use of the Load & Go™ bulk dispenser.

### Closet installation:



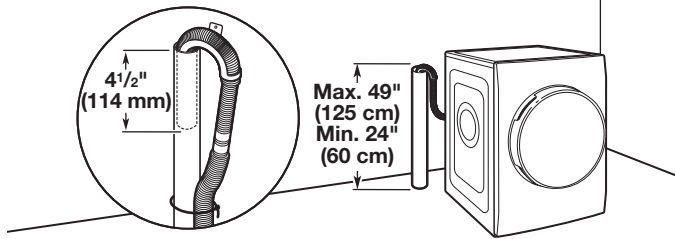
**NOTE:** The 12" minimum space above the washer/dryer is required for use of the Load & Go™ bulk dispenser.

# Drain System

Drain system can be installed using a floor drain, wall standpipe, floor standpipe, or laundry tub. Select method you need.

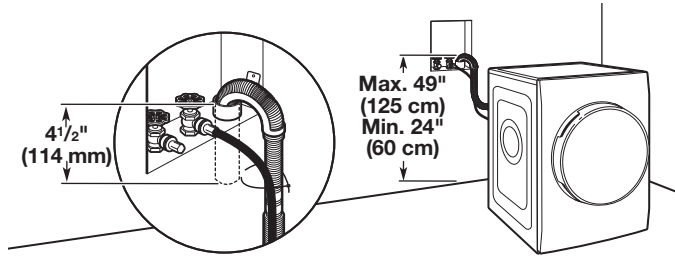
**IMPORTANT:** To avoid siphoning, only 4½" (114 mm) of drain hose should be inside standpipe. Always secure drain hose with cable tie.

## Floor standpipe drain system



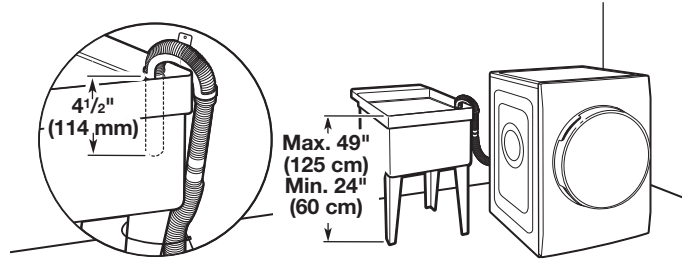
Minimum diameter for a standpipe drain: 2" (51 mm). Minimum carry-away capacity: 17 gal. (64 L) per minute. A 2" (51 mm) diameter to 1" (25 mm) diameter Standpipe Adapter Kit is available. Top of standpipe must be at least 24" (60 cm) high; install no higher than 49" (125 cm) from bottom of washer/dryer. If you have an overhead sewer and need to pump higher than 96 inches, a sump pump and associated hardware are needed. See "Assistance or Service."

## Wall standpipe drain system



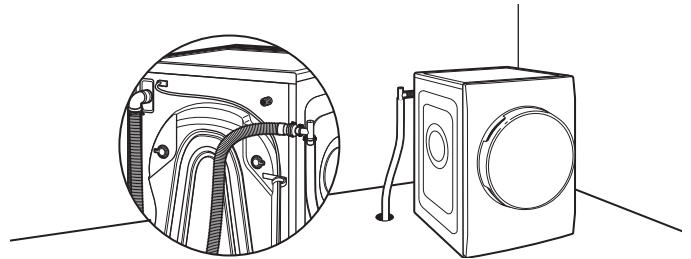
See requirements for floor standpipe drain system.

## Laundry tub drain system



Minimum capacity: 20 gal. (76 L). Top of laundry tub must be at least 24" (60 cm) above floor; install no higher than 49" (125 cm) from bottom of washer/dryer.

## Floor drain system



Floor drain system requires a Siphon Break Kit, two Connector Kits, and an Extension Drain Hose that may be purchased separately. See "Assistance or Service." Minimum siphon break height: 28" (710 mm) from bottom of washer/dryer (additional hoses may be needed).

# Unpacking Washer/Dryer

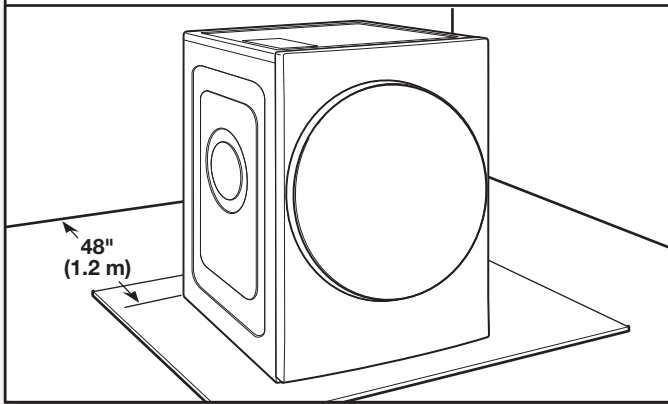
## **⚠ WARNING**

### **Excessive Weight Hazard**

**Use two or more people to move and install washer/dryer.  
Failure to do so can result in back or other injury.**

**NOTE:** To avoid floor damage, set washer/dryer onto cardboard before moving it.

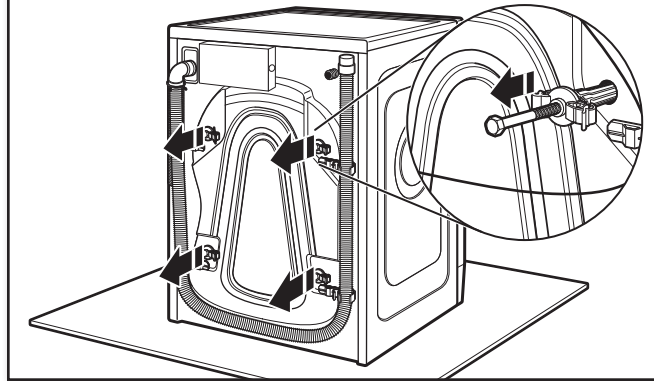
## **1. Move washer/dryer**



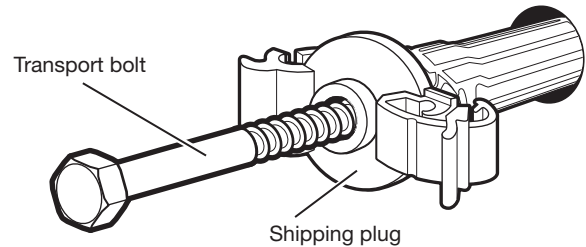
**IMPORTANT:** It is necessary to remove all shipping materials for proper operation and to avoid excessive noise from washer/dryer.

Move washer/dryer to within 48" (1.2 m) of its final location. It must be in a fully upright position.

## **2. Remove four transport bolts from washer/dryer**



Loosen the four transport bolts with a 3/8" (10 mm) wrench. Once each bolt is loose, wiggle and completely pull them out of the washer/dryer, along with all four shipping plugs.



**IMPORTANT:** It is necessary to remove transport bolts and shipping plugs for proper operation and to avoid excessive noise from washer/dryer.

# Electrical Requirements – U.S.A. Only

## It is your responsibility:

- To contact a qualified electrical installer.
- To be sure that the electrical connection is adequate and in conformance with the National Electrical Code, ANSI/NFPA 70 – latest edition and all local codes and ordinances. The National Electrical Code requires a 4-wire power supply connection for homes built after 1996, dryer circuits involved in remodeling after 1996, and all mobile home installations. A copy of the above code standards can be obtained from: National Fire Protection Association, One Batterymarch Park, Quincy, MA 02269.
- To supply the required 3- or 4-wire, single-phase, 120/240 volt, 60 Hz, AC only electrical supply (or 3- or 4-wire, 120/208 volt electrical supply, if specified on the serial/rating plate) on a separate 30 amp circuit, fused on both sides of the line. Connect to an individual branch circuit. Do not have a fuse in the neutral or grounding circuit.
- Do not use an extension cord.
- If codes permit and a separate ground wire is used, it is recommended that a qualified electrician determine that the ground path is adequate.

## Electrical Connection

To properly install your washer/dryer, you must determine the type of electrical connection you will be using and follow the instructions provided for it here.

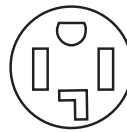
- This washer/dryer is manufactured ready to install with a 3-wire electrical supply connection. A neutral ground conductor (white wire) is provided between the power supply neutral connection (center terminal) and the washer/dryer external grounding point (green screw). If the washer/dryer is installed with a 4-wire electrical supply connection, one end of the neutral ground conductor must be removed from the external ground connector (green screw), and secured under the neutral terminal (center screw) of the terminal block. When both ends of the neutral ground conductor are secured under the neutral terminal (center or white wire) of the terminal block, the washer/dryer cabinet is isolated from the neutral conductor. The green ground wire of the 4-wire power cord must be secured to the washer/dryer cabinet with the green ground screw.
- If local codes do not permit the connection of a neutral ground wire to the neutral wire, see “Optional External Ground 3-wire connection.”
- A 4-wire power supply connection must be used when the appliance is installed in a location where grounding through the neutral conductor is prohibited. Grounding through the neutral is prohibited for (1) new branch-circuit installations after 1996, (2) mobile homes, (3) recreational vehicles, and (4) areas where local codes prohibit grounding through the neutral conductors.

## Power supply cord

Use a UL Listed power supply cord kit marked for use with clothes dryers. The kit should contain:

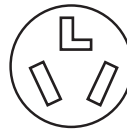
- A UL Listed 30 amp power supply cord, rated 120/240 volt minimum. The cord should be type SRD or SRDT and be at least 5 ft. (1.5 m) long. The wires that connect to the washer/dryer must end in ring terminals or spade terminals with upturned ends.

## If your outlet looks like this:



4-wire  
receptacle  
(14-30R)

Then choose a 4-wire power supply cord with ring or spade terminals and UL Listed strain relief. The 4-wire power supply cord, at least 5 ft. (1.5 m) long, must have four 10-gauge copper wires and match a 4-wire receptacle of NEMA-Type 14-30R. The ground wire (ground conductor) may be either green or bare. The neutral conductor must be identified by a white cover.



3-wire  
receptacle  
(10-30R)

Then choose a 3-wire power supply cord with ring or spade terminals and UL Listed strain relief. The 3-wire power supply cord, at least 5 ft. (1.5 m) long, must have three 10-gauge copper wires and match a 3-wire receptacle of NEMA-Type 10-30R.

## GROUNDING INSTRUCTIONS

- For a grounded, cord-connected washer/dryer: This washer/dryer must be grounded. In the event of malfunction or breakdown, grounding will reduce the risk of electric shock by providing a path of least resistance for electric current. This washer/dryer is equipped with a cord having an equipment-grounding conductor and a grounding plug. The plug must be plugged into an appropriate outlet that is properly installed and grounded in accordance with all local codes and ordinances.

**WARNING:** Improper connection of the equipment-grounding conductor can result in a risk of electric shock. Check with a qualified electrician or service representative or personnel if you are in doubt as to whether the washer/dryer is properly grounded. Do not modify the plug provided with the washer/dryer: if it will not fit the outlet, have a proper outlet installed by a qualified electrician.

## SAVE THESE INSTRUCTIONS



## Electrical Requirements – Canada Only

### **WARNING**



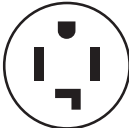
#### Electrical Shock Hazard

Plug into a grounded 4 prong outlet.

Failure to do so can result in death or electrical shock.

### It is your responsibility:

- To contact a qualified electrical installer.
- To be sure that the electrical connection is adequate and in conformance with the Canadian Electrical Code, C22.1 – latest edition and all local codes. A copy of the above codes standard may be obtained from: Canadian Standards Association, 178 Rexdale Blvd., Toronto, ON M9W 1R3 CANADA.
- To supply the required 4-wire, single-phase, 120/240 volt, 60 Hz., AC only electrical supply on a separate 30 amp circuit, fused on both sides of the line. A time-delay fuse or circuit breaker is recommended. Connect to an individual branch circuit.
- This washer/dryer is equipped with a CSA International Certified Power Cord intended to be plugged into a standard 14-30R wall receptacle. The cord is 5 ft. (1.5 m) in length. Be sure wall receptacle is within reach of washer/dryer's final location.
- Do not use an extension cord.



4-wire receptacle (14-30R)

If using a replacement power supply cord, it is recommended that you use Power Supply Cord Replacement Part Number 8579325. For further information, please reference the “Assistance or Service” section.

### GROUNDING INSTRUCTIONS

- For a grounded, cord-connected washer/dryer: This washer/dryer must be grounded. In the event of malfunction or breakdown, grounding will reduce the risk of electric shock by providing a path of least resistance for electric current. This washer/dryer is equipped with a cord having an equipment-grounding conductor and a grounding plug. The plug must be plugged into an appropriate outlet that is properly installed and grounded in accordance with all local codes and ordinances.

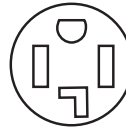
**WARNING:** Improper connection of the equipment-grounding conductor can result in a risk of electric shock. Check with a qualified electrician or service representative or personnel if you are in doubt as to whether the washer/dryer is properly grounded. Do not modify the plug provided with the washer/dryer: if it will not fit the outlet, have a proper outlet installed by a qualified electrician.

### SAVE THESE INSTRUCTIONS

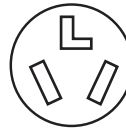
## Electrical Installation – U.S.A. Only

Before you start: disconnect power.

### 1. Choose electrical connection type



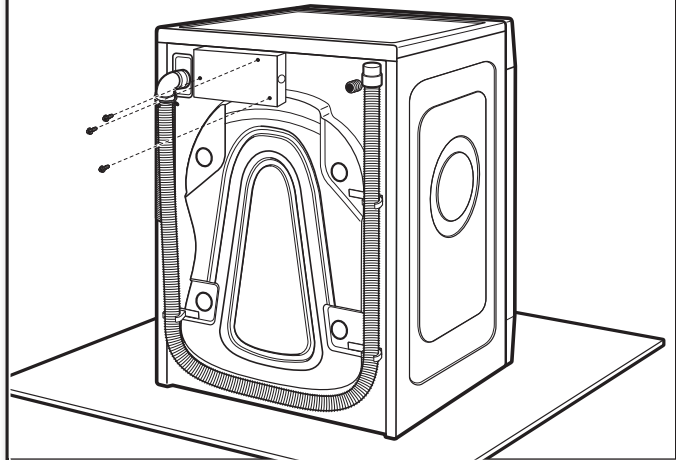
Power supply cord 4-wire receptacle (NEMA-Type 14-30R):  
Go to “Power Supply Cord Connection.”



Power supply cord 3-wire receptacle (NEMA Type 10-30R):  
Go to “Power Supply Cord Connection.”

**NOTE:** If local codes do not permit connection of a cabinet-ground conductor to neutral wire, go to “Optional External Ground for 3-Wire Connection.”

### 2. Remove terminal block cover



Remove hold-down screws and terminal block cover.

## Power Supply Cord Connection

### **⚠ WARNING**



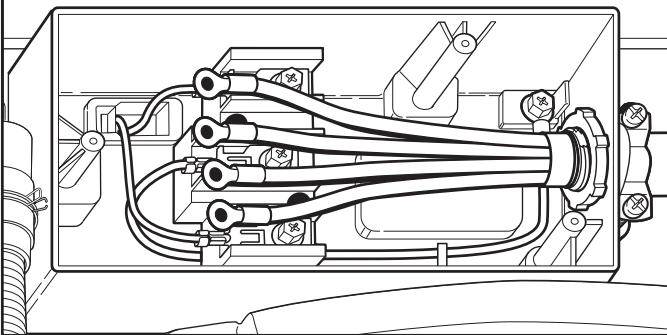
#### Fire Hazard

- Use a new UL listed 30 amp power supply cord.
- Use a UL listed strain relief.
- Disconnect power before making electrical connections.
- Connect neutral wire (white or center wire) to center terminal.
- Ground wire (green or bare wire) must be connected to green ground connector.
- Connect remaining 2 supply wires to remaining 2 terminals.
- Securely tighten all electrical connections.
- Failure to do so can result in death, fire, or electrical shock.

## 4-Wire Power Supply Cord Strain Relief:

**IMPORTANT:** Use the strain relief supplied with the washer/dryer.

### Attach power supply cord to strain relief



Put power supply cord through the strain relief. Be sure that the wire insulation on the power supply cord is inside the strain relief. Do not further tighten strain relief screws at this point.

#### If your outlet looks like this:



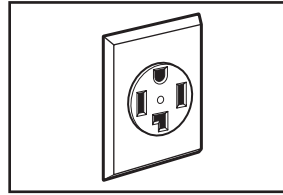
Power supply cord 4-wire receptacle (NEMA-Type 14-30R):  
Go to "4-Wire Power Supply Cord Connection."



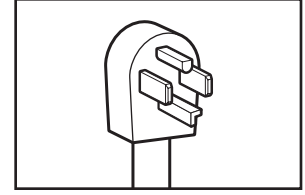
Power supply cord 3-wire receptacle (NEMA-Type 10-30R):  
Go to "3-Wire Power Supply Cord Connection."

## 4-Wire Power Supply Cord Connection

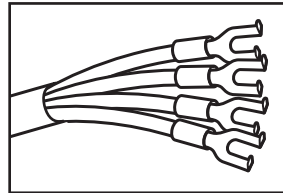
**IMPORTANT:** A 4-wire connection is required for mobile homes and where local codes do not permit the use of 3-wire connections.



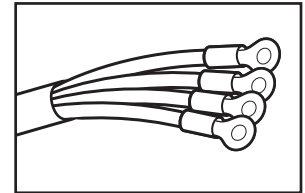
4-wire receptacle (NEMA-type 14-30R)



4 prong plug

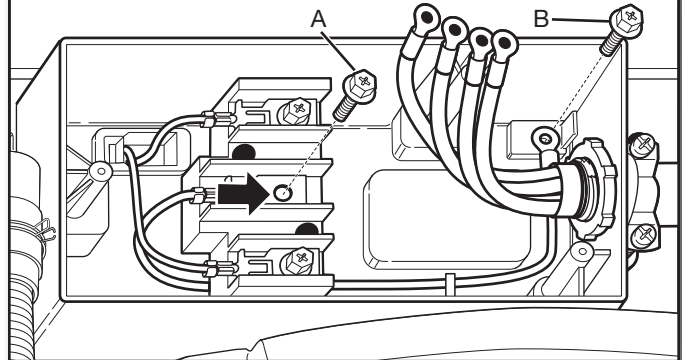


Spade terminals with upturned ends



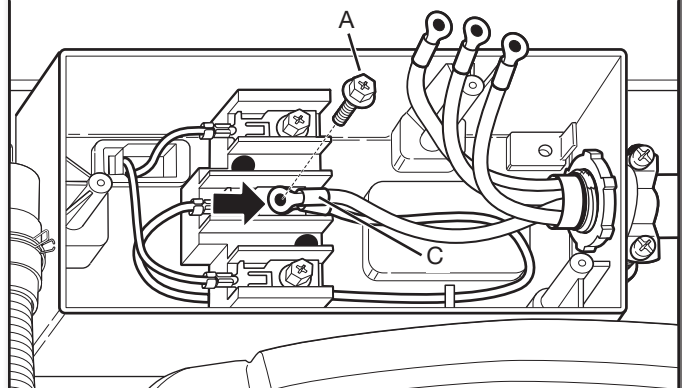
Ring terminals

### 1. Prepare to connect neutral wire



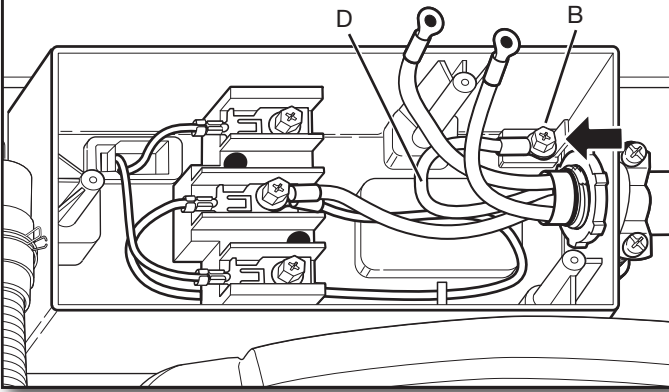
Remove center terminal block screw (A) and green external ground conductor screw (B).

### 2. Connect neutral wire



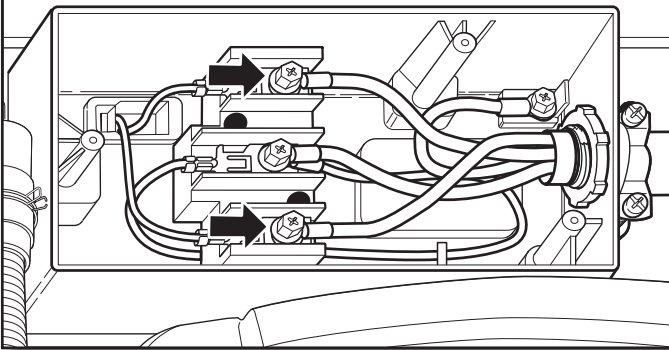
Loop white ground jumper wire back on itself and connect it and neutral wire (white or center) (C) of power supply cord under center terminal block screw (A). Tighten screw.

### 3. Connect ground wire



Connect ground wire (D) (green or bare) of power supply cord under green external ground conductor screw (B). Tighten screw.

### 4. Connect remaining wires

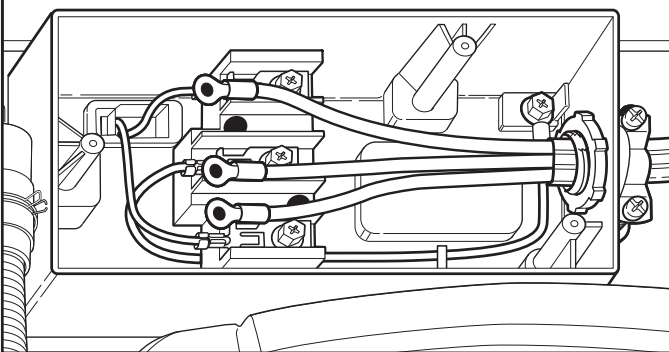


Connect remaining wires under outer terminal block screws. Tighten screws and also tighten strain relief screws. Finally, install terminal box cover and secure with the three screws. Now, go to "Route Drain Hose."

### 3-Wire Power Supply Cord Strain Relief:

**IMPORTANT:** Use the strain relief supplied with the washer/dryer.

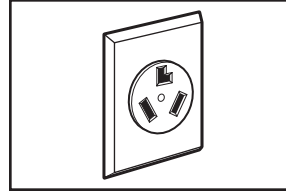
#### Attach power supply cord to strain relief



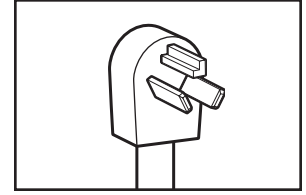
Put power supply cord through the strain relief. Be sure that the wire insulation on the power supply cord is inside the strain relief. Do not further tighten strain relief screws at this point.

### 3-Wire Power Supply Cord Connection

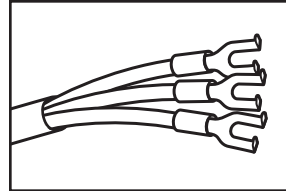
Use where local codes permit connecting cabinet-ground conductor to neutral wire.



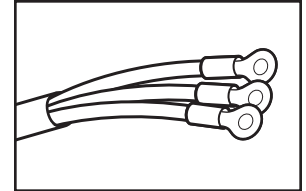
3-wire receptacle (NEMA-type 10-30R)



3 prong plug

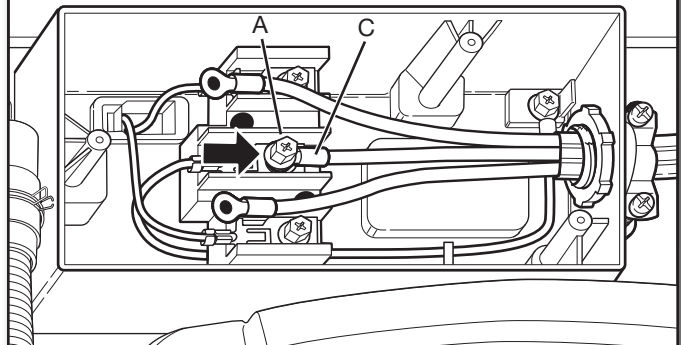


Spade terminals with upturned ends



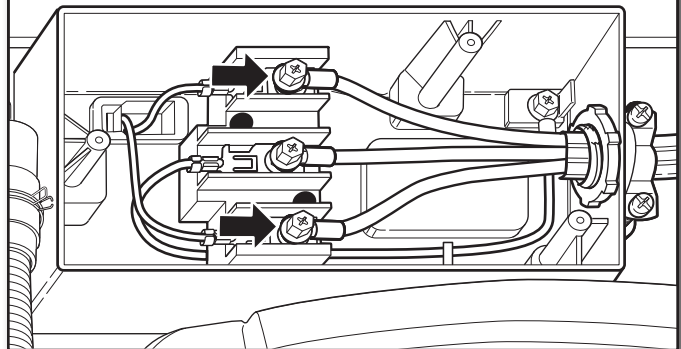
Ring terminals

### 1. Connect neutral (center) wire



Connect neutral (center) wire (C) of power supply cord under center terminal block screw (A). Tighten screw.

### 2. Connect remaining wires

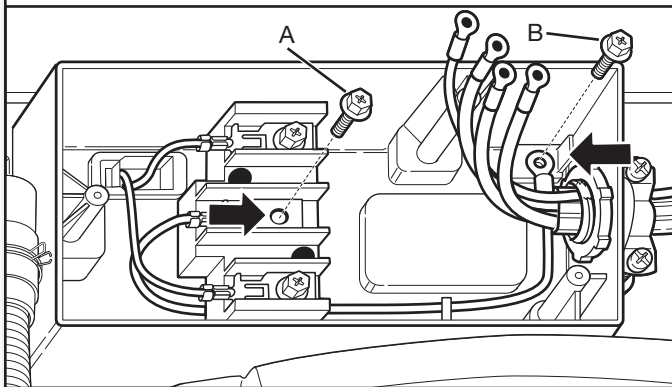


Connect remaining wires under outer terminal block screws. Tighten screws and also tighten strain relief screws. Finally, install terminal block cover and secure with the three screws. Now, go to "Route Drain Hose."

## Optional External Ground for 3-Wire Connection

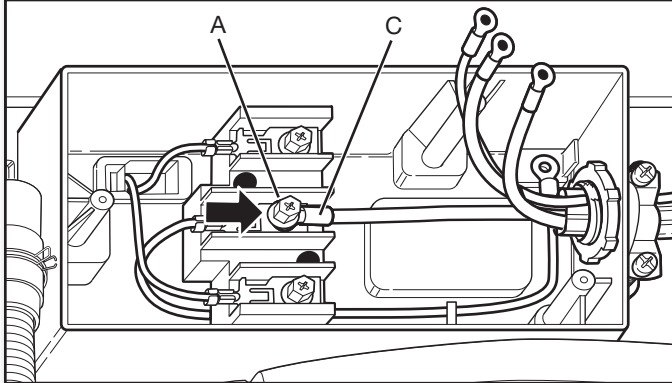
**IMPORTANT:** You must verify with a qualified electrician that this grounding method is acceptable before connecting.

### 1. Prepare to connect neutral wire



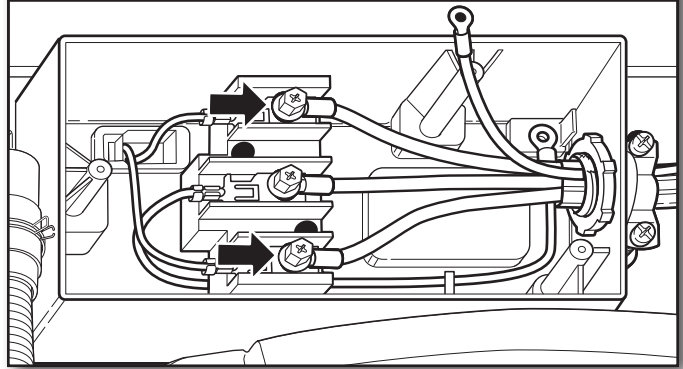
Remove center terminal block screw (A) and green external ground conductor screw (B).

### 2. Connect neutral wire



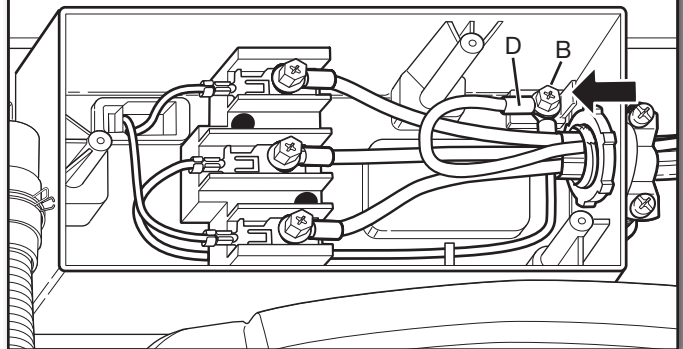
Connect neutral wire (white or center) (C) of power supply cord or cable under center terminal block screw (A). Tighten screw.

### 3. Connect remaining wires



Place ends of remaining wires under outer terminal block screws. Tighten screws and tighten strain relief.

### 4. Connect external ground wire

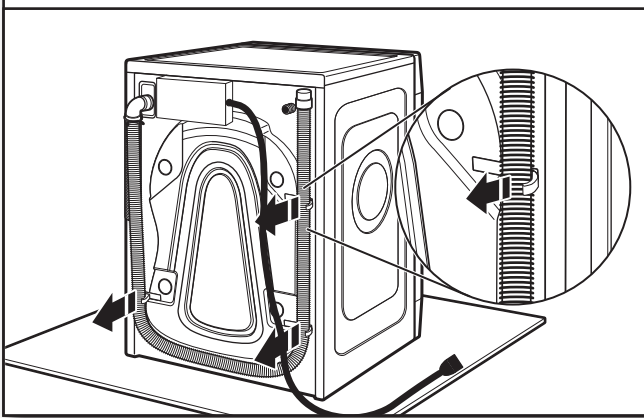


Connect a separate copper ground wire (D) under the green external ground conductor screw (B) to an adequate ground. Finally, install terminal block cover and secure with the three screws. Now, go to "Route Drain Hose."

# Route Drain Hose

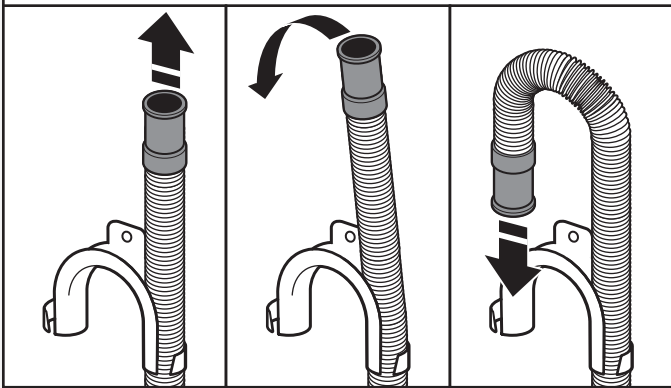
Proper routing of the drain hose protects your floor from damage due to water leakage. Read and follow these instructions.

## 1. Remove drain hose from washer/dryer



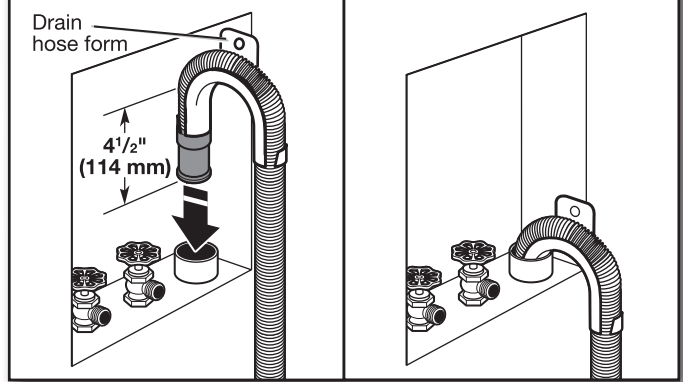
Gently pull the corrugated drain hose from the shipping clips.

## 2. Connect laundry tub drain or standpipe drain hose form (floor standpipe, wall standpipe, or laundry tub drain installations only)



For floor standpipe, wall standpipe, or laundry tub drain installations, you will need to connect the drain hose form to the end of the drain hose. You may need additional parts with separate directions. See "Assistance or Service."

## 3. Place drain hose in standpipe



Place hose into standpipe (shown in picture) or over side of laundry tub.

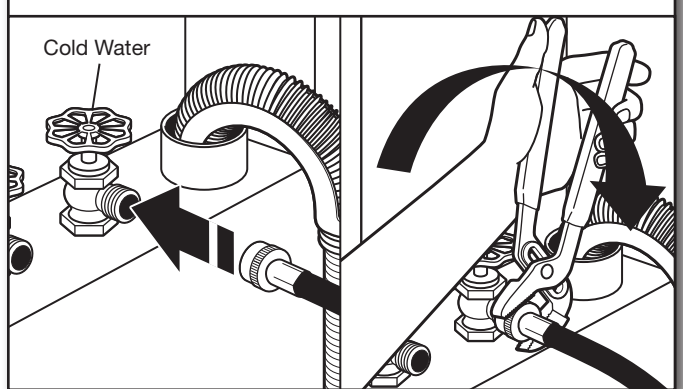
**IMPORTANT:** Only 4 1/2" (114 mm) of drain hose should be inside standpipe; do not force excess hose into standpipe or lay on bottom of laundry tub. Drain hose form must be used.

# Connect Inlet Hose

Washer/dryer must be connected to the cold water faucet with a new inlet hose with a flat washer. Do not use the old hose.

**NOTE:** Hose must be attached and have water flowing to inlet valve.

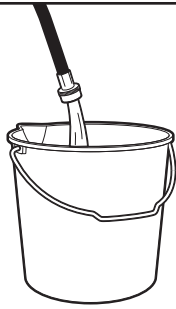
## 1. Connect inlet hose to water faucet



Attach hose to cold water faucet. Screw on coupling by hand until it is seated on washer. Use pliers to tighten couplings an additional two-thirds turn.

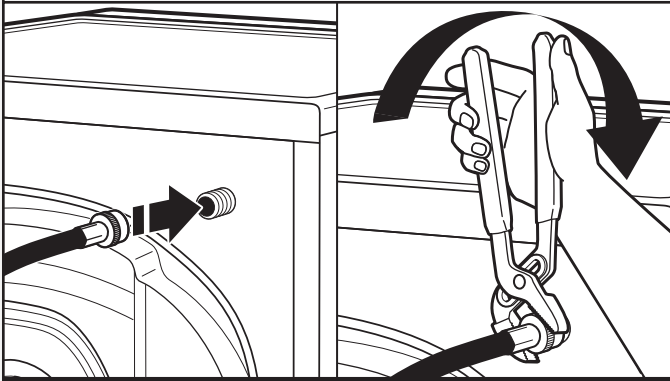
**IMPORTANT:** Do not overtighten or use tape or sealants on valve when attaching to faucet or washer/dryer. Damage can result.

## 2. Clear water line



Run water for a few seconds through hose into a laundry tub, drainpipe, or bucket to avoid clogs. Water should run until clear.

## 3. Connect inlet hose to washer/dryer

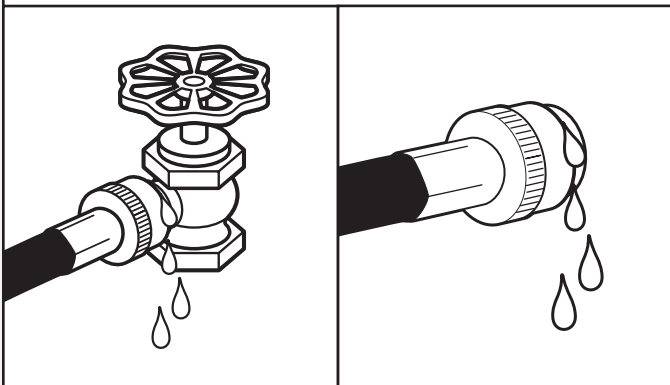


Attach water hose to water inlet valve. Screw coupling by hand until it is snug. Use pliers to tighten coupling an additional two-thirds turn.

**IMPORTANT:** To reduce risk of hose failure, replace the hose every 5 years. Record hose installation or replacement dates for future reference.

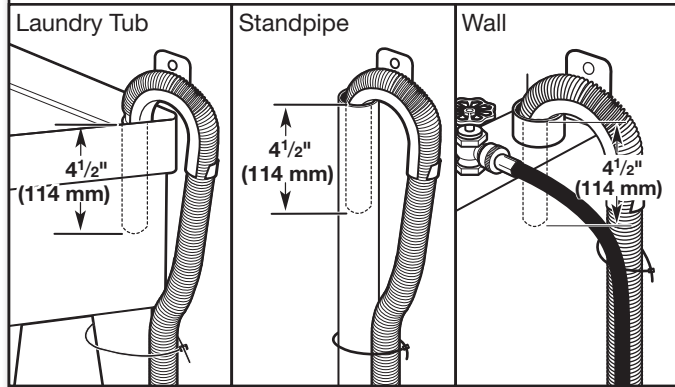
- Periodically inspect and replace hose if bulges, kinks, cuts, wear, or leaks are found.

## 4. Check for leaks



Slowly turn on water faucet to check for leaks. A small amount of water may enter washer/dryer. It will drain later.

## 5. Secure drain hose

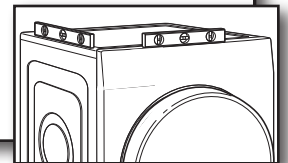
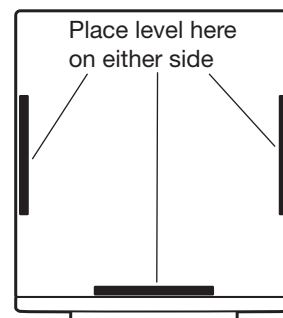


Secure drain hose to laundry tub leg, drain standpipe, or inlet hose for wall standpipe with cable tie.

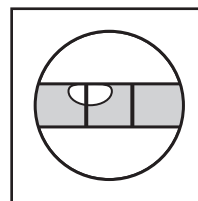
## Level Washer/Dryer

Leveling your washer/dryer properly reduces excess noise and vibration.

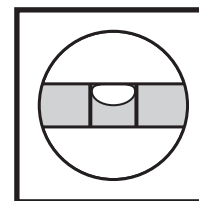
### 1. Check levelness of washer/dryer



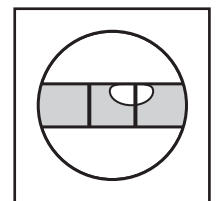
Remove cardboard from beneath washer/dryer. Place a level on top edges of washer/dryer, checking each side and front. If not level, tip washer/dryer and adjust feet up or down as shown in Steps 3 and 4, repeating as necessary.



Not Level

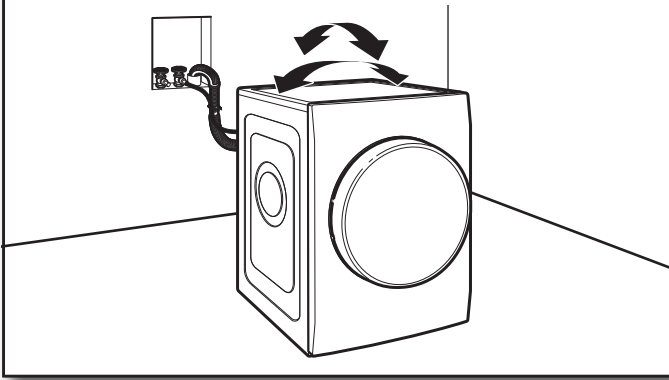


LEVEL



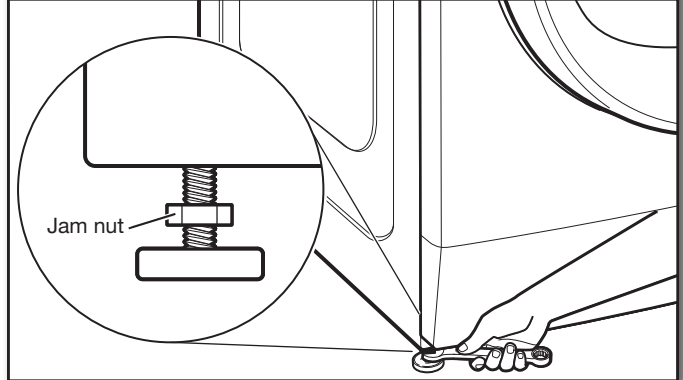
Not Level

## 2. Rock washer/dryer to test foot contact



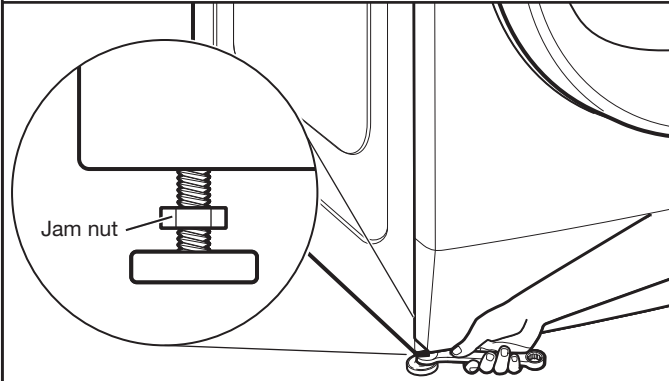
Grip washer/dryer from top and rock back and forth, making sure all four feet are firmly on floor. Repeat, rocking washer/dryer from side to side. If washer rocks, go to Step 3 and adjust leveling feet. If all four feet are in firm contact with floor, go to "Plug In Washer/Dryer."

## 4. Tighten leveling feet



When washer/dryer is level and all four feet are firmly in contact with the floor, use a 1/2" (13 mm) open-end or adjustable wrench to turn jam nuts counterclockwise on leveling feet tightly against washer/dryer cabinet.

## 3. Adjust leveling feet



If washer/dryer is not level, use a 1/2" (13 mm) open-end or adjustable wrench to turn jam nuts clockwise on feet until they are about 1/2" (13 mm) from the washer/dryer cabinet. Then turn the leveling foot clockwise to lower the washer/dryer or counterclockwise to raise the washer/dryer. Recheck levelness of washer/dryer and that all four feet are firmly in contact with the floor. Repeat as needed.

## Plug In Washer/Dryer

In U.S.A.

### ⚠ WARNING



#### Electrical Shock Hazard

Plug into a grounded 3 or 4 prong outlet.

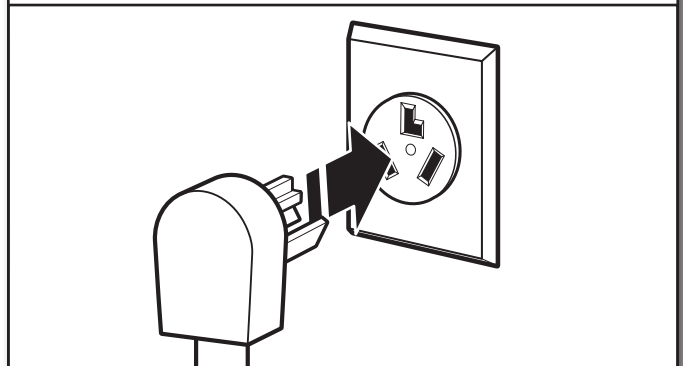
Do not remove ground prong.

Do not use an adapter.

Do not use an extension cord.


Failure to follow these instructions can result in death, fire, or electrical shock.

## 1. Plug into a grounded 3 or 4 prong outlet



## Complete Installation Checklist

**⚠ WARNING**

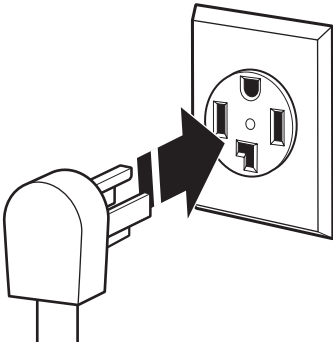


**Electrical Shock Hazard**

**Plug into a grounded 4 prong outlet.**

**Failure to do so can result in death or electrical shock.**

**1. Plug into a grounded 4 prong outlet**



- Check electrical requirements. Be sure you have correct electrical supply and recommended grounding method.
- Check that washer/dryer is plugged into a grounded outlet.
- Check that all parts are now installed. If there is an extra part, go back through steps to see what was skipped.
- Check that washer/dryer is level.
- Check that you have all of your tools.
- Dispose of/recycle all packaging materials.
- Remove any tape remaining on washer/dryer.
- Check that transport bolts were completely removed from back of washer/dryer.
- Check that inlet hose is attached and water faucet is on.
- Check for leaks around faucet, valve, and inlet hose.
- Read “Using the All-In-One Washer/Dryer.”
- To test and clean your washer/dryer, turn on the washer and choose the Regular/Quick cycle and run it without clothes. Use only HE detergent. Use 1/2 the manufacturer’s recommended amount for a medium-size load.
- Connect your smart all-in-one washer and dryer with your mobile device at [www.whirlpool.com/connect](http://www.whirlpool.com/connect) (in Canada, [www.whirlpool.ca/en\\_ca.html](http://www.whirlpool.ca/en_ca.html)).



## Internet Connectivity Guide

### Get the App and Get Connected

With your mobile device, get the app, connectivity setup instructions, terms of use, and privacy policy at:  
[www.whirlpool.com/connect](http://www.whirlpool.com/connect)

In Canada, visit

[www.whirlpool.ca/en\\_ca.html](http://www.whirlpool.ca/en_ca.html)

and click on the Whirlpool® Connected Appliances link.

**IMPORTANT:** Proper installation of your appliance prior to use is your responsibility. Be sure to read and follow the Installation Instructions that came with your appliance.

Connectivity requires Wi-Fi and account creation. App features and functionality subject to change. Data rates may apply. If you have any problems or questions, call Whirlpool Corporation Connected Appliances at **1-866-333-4591**.

#### You Will Need:



- A home wireless router supporting Wi-Fi, 2.4Ghz with WPA2 security. If you are unsure of your router’s capabilities, refer to the router manufacturer’s instructions.
- The router to be on and have a live internet connection.
- The 10-character Smart Appliance ID (SAID) code for your appliance. The SAID code is either printed on a label on the appliance or can be found on the LCD screen. Refer to the appliance Use and Care Guide for the location.

Once installed, launch the app. You will be guided through the steps to set up a user account and to connect your appliance. If you have any problems or questions, call Whirlpool Corporation Connected Appliances at **1-866-333-4591**.



# TROUBLESHOOTING

First try the solutions suggested here or visit our website at [www.whirlpool.com/owners](http://www.whirlpool.com/owners)  
(in Canada [www.whirlpool.ca/owners](http://www.whirlpool.ca/owners)) for assistance and to possibly avoid a service call.

If you experience	Possible Causes	Solution
<b>Vibration or Off-Balance</b>		
Vibration, rocking, or "walking"	Feet may not be in contact with the floor and locked.	Front and rear feet must be in firm contact with floor, and washer/dryer must be level to operate properly. Jam nuts must be tight against the bottom of the cabinet.
	Washer/dryer may not be level.	Check floor for flexing or sagging. Do not install washer/dryer on a raised wooden platform. See "Level Washer/Dryer" in "Installation Instructions."
	Load could be unbalanced or too large.	Avoid tightly packing the load. Avoid washing single items. Balance a single item such as a rug or jean jacket with a few extra items. Item or load not suitable for selected cycle. See "Cycle Guides" and "Using the All-In-One Washer/Dryer."
	The shipping bolts are still in the back of the washer/dryer.	See "Unpacking Washer/Dryer" in "Installation Instructions."
<b>Noises</b>		
Clicking or metallic noises	Door locking or unlocking.	The door will lock, unlock, and lock again. You will hear four clicks after touching the Start/Pause button. This is normal.
	Objects caught in wash drain system.	Empty pockets before washing. Loose items such as coins could fall between washer/dryer drum and tub or may block pump. It may be necessary to call for service to remove items. It is normal to hear metal items on clothing such as metal snaps, buckles, or zippers touch against the stainless steel drum.
Gurgling or humming	Washer/dryer may be draining water.	The pump may make a humming sound with periodic gurgling or surging as final amounts of water are removed during the spin/drain cycles. This is normal at certain stages of the cycle.
<b>Water Leaks</b>		
Check the following for proper installation	Fill hose not attached tightly.	Tighten fill hose connection.
	Fill hose washer.	Properly seat cold fill hose flat washer.
	Drain hose connection.	Check that the drain hose is properly secured to drain pipe or laundry tub.
	Drain pump filter is not properly seated.	Make sure filter is correctly placed in the housing. See "Cleaning the Drain Pump Filter/Draining Residual Water."
	Drain pump filter is clogged/drain pump filter hose plug is off or loose.	Clean the drain pump filter (see "Cleaning the Drain Pump Filter/Draining Residual Water"). Make sure drain pump filter hose plug is fully seated. If loose, order a replacement plug (see "Assistance or Service").
	Check household plumbing for leaks or clogged sink or drain.	Water can back up out of a clogged sink or drain pipe. Check all household plumbing for leaks (laundry tubs, drain pipe, water pipes, and faucet.)
	Strainer (or nylon stocking) on end of drain hose is clogged.	Remove strainer/stocking from drain hose.

# TROUBLESHOOTING

First try the solutions suggested here or visit our website at [www.whirlpool.com/owners](http://www.whirlpool.com/owners) (in Canada [www.whirlpool.ca/owners](http://www.whirlpool.ca/owners)) for assistance and to possibly avoid a service call.

If you experience	Possible Causes	Solution
<b>Water Leaks (cont.)</b>		
Water or suds leaking from door or rear of cabinet	Not using HE detergent or using too much HE detergent.	Only use HE detergent. Suds from regular detergents can cause leaking from the door or rear of cabinet. Always measure detergent and follow manufacturer's directions based on your load requirements.
Leaking around door	Hair, lint, or other debris on inner door glass preventing proper seal with rubber door seal.	Clean inner door glass and seal. See "Cleaning the Door Seal" in the "All-In-One Washer/Dryer Maintenance" section.
<b>Wash cycle not performing as expected</b>		
Load not completely covered in water	Water level not visible on door or does not cover clothes.	This is normal for the all-in-one washer/dryer. The washer/dryer senses load sizes and adds the correct amount of water for optimal cleaning.
Washer/dryer won't run or fill; washer/dryer stops working	Check for proper water supply.	Hose must be attached and have water flowing to the inlet valve.
		Water faucet must be turned on.
		Check that inlet valve screen has not become clogged.
		Check for any kinks in inlet hose, which can restrict water flow.

## ⚠ WARNING



### Electrical Shock Hazard

**Plug into a grounded 3 or 4 prong outlet.**

**Do not remove ground prong.**

**Do not use an adapter.**

**Do not use an extension cord.**

**Failure to follow these instructions can result in death, fire, or electrical shock.**

Washer/dryer won't run or fill; washer/dryer stops working (cont.)	Check proper electrical supply.	Plug power cord into a grounded 3 or 4 prong outlet.
		Do not use an extension cord.
		Ensure there is power to outlet.
		Do not plug into a GFI (Ground Fault Circuit Interrupter).
		Check electrical source or call an electrician to check if voltage is low.
		Reset a tripped circuit breaker. Replace any blown fuses.
		<b>NOTE:</b> If problems continue, contact an electrician.

# TROUBLESHOOTING

First try the solutions suggested here or visit our website at [www.whirlpool.com/owners](http://www.whirlpool.com/owners)  
(in Canada [www.whirlpool.ca/owners](http://www.whirlpool.ca/owners)) for assistance and to possibly avoid a service call.

If you experience	Possible Causes	Solution
<b>Wash cycle not performing as expected (cont.)</b>		
Washer/dryer won't run or fill; washer/dryer stops working (cont.)	Normal washer/dryer operation.	Washer/dryer will pause during certain phases of cycle. Do not interrupt cycle.  The washer/dryer pauses for about 2 minutes during certain cycles. Allow the cycle to continue. Some cycles feature periods of tumbling and soak.  Washer/dryer may be stopped to reduce suds. Use only a proper amount of HE detergent.
	The washer/dryer door is not firmly shut.	The door must be closed during operation.
	The Load & Go™ bulk container is not fully seated in the washer/dryer.	Make sure that the Load & Go™ bulk container is fully seated in the washer/dryer, and that the lid on the bulk container is firmly closed.
	Washer/dryer not loaded as recommended.	Remove several items, rearrange load evenly in washer/dryer drum. Close door and touch the START/PAUSE button.
		Do not add more than one or two additional items after cycle has started to avoid tightly packing or unbalancing. Adding items is only allowed up to a certain point in the cycle.
		Do not add more water to the washer/dryer.
	Not using HE detergent or using too much HE detergent.	Only use HE detergent. Suds from regular detergents can slow or stop the washer/dryer. Always measure detergent, following manufacturer's directions based on your load requirements.
		To remove suds, cancel cycle. Select Rinse & Spin. Touch the START/PAUSE button. Do not add more detergent.
Washer/dryer stops during the program/cycle and a message appears on the screen	The program/cycle was interrupted (for example by the door being opened).	Make sure the door is closed. Touch the START/PAUSE button to continue with the program/cycle.
	The safety system has been activated. A failure indicator will light up and/or the display will show a failure code.	Refer to error codes at the end of "Troubleshooting."
	Cold water faucet is closed.	Make sure the water faucet is open and that there are no kinks in the inlet hose.
Washer/dryer not draining/spinning; loads are still wet	Drain hose extends into standpipe further than 4.5" (114 mm).	Check drain hose for proper installation. Use drain hose form and securely attach to drain pipe or tub. Do not tape over drain opening.
	The drain hose is clogged, or the end of the drain hose is more than 49" (1.3 m) above the floor.	Lower drain hose if the end is higher than 49" (1.3 m) above the floor. Remove any clogs from drain hose. See "Installation Requirements" in "Installation Instructions."
	Strainer/stocking on end of drain hose.	Remove strainer/stocking from drain hose.
	The drain hose fits too tightly in the standpipe or is taped to the standpipe.	The drain hose should be loose, yet fit securely. Do not seal the drain hose with tape. The hose needs an air gap. See "Route Drain Hose" in "Installation Instructions."

# TROUBLESHOOTING

First try the solutions suggested here or visit our website at [www.whirlpool.com/owners](http://www.whirlpool.com/owners)  
(in Canada [www.whirlpool.ca/owners](http://www.whirlpool.ca/owners)) for assistance and to possibly avoid a service call.

If you experience	Possible Causes	Solution
<b>Wash cycle not performing as expected (cont.)</b>		
Washer/dryer not draining/spinning; loads are still wet (cont.)	Using cycles with a lower spin speed.	Cycles with lower spin speeds remove less water than cycles with high spin speeds. Use the recommended cycle/spin speed for your garment.
	Washer/dryer not loaded as recommended.	A tightly packed or unbalanced load may not allow the washer/dryer to spin correctly, leaving the load wetter than normal. See "Cycle Guides" for load size recommendation for each cycle.
	An unbalanced load prevented the Spin cycle from activating to avoid damage to the washer/dryer.	To spin wet laundry, add more laundry items of different sizes and start the Rinse & Spin program. Avoid small laundry loads consisting of a few large, absorbent items and wash different-sized items in one load. Avoid washing single items.
	Not using HE detergent or using too much HE detergent.	Use only HE detergent. Suds from regular detergent or using too much detergent can slow or stop draining or spinning. Always measure and follow manufacturer's directions for your load. To remove extra suds, select Rinse & Spin. Do not add detergent.
	Small items may have been caught in the pump or stuck between the washer/dryer drum and the outer tub.	Check the drum for any items sticking through the drum holes. Empty pockets and use garment bags when washing small items.
	Drain pump filter is dirty.	Clean drain pump filter. See "Cleaning the Drain Pump Filter/Draining Residual Water."
Door locked at end of wash cycle	Water remaining in washer/dryer after cycle.	Select Drain to remove any water remaining in the washer/dryer. The door will unlock at the end of the drain.
	Tumble Fresh™ option is on.	While this option is on, the load is tumbled periodically for up to 12 hours. The door remains locked during this time. To unlock the door, cancel the Tumble Fresh™ option by touching the "X" on the touch screen to the right of the estimated time remaining.
Door will not unlock	Error code is displayed.	Failure mode will lock the door. Touch the START/PAUSE button to exit, then wait for the door to unlock.
	Water temperature is hotter than 104°F (40°C).	Wait for the water temperature to drop.
	Door lock mechanism malfunction.	Perform procedure in "How to Manually Open Door," page 44.
Incorrect or wrong wash temperatures	Improper water supply connection. Inlet hose connected to hot water supply.	Inlet hose must be attached to both washer/dryer and cold water supply faucet, and have water flowing to inlet valve.
		Check that inlet valve screen is not clogged.
		Remove any kinks in hose.

# TROUBLESHOOTING

First try the solutions suggested here or visit our website at [www.whirlpool.com/owners](http://www.whirlpool.com/owners)  
(in Canada [www.whirlpool.ca/owners](http://www.whirlpool.ca/owners)) for assistance and to possibly avoid a service call.

If you experience	Possible Causes	Solution
<b>Wash cycle not performing as expected (cont.)</b>		
Load not rinsed	Improper water supply connection.	Inlet hose must be attached to both washer/dryer and cold water supply faucet and have water flowing to inlet valve.
		Cold water faucet must be on.
		Inlet valve screen on washer/dryer may be clogged.
		Remove any kinks in the inlet hose.
	Not using HE detergent or using too much HE detergent.	The suds from non-HE detergent can cause the washer/dryer to operate incorrectly.
	Use only HE detergent. Always measure detergent and follow manufacturer's directions based on load size and soil level.	
Washer/dryer not loaded as recommended.	Avoid tightly packing the washer/dryer. The washer/dryer will not rinse well if tightly packed. Load with dry items only. See "Cycle Guides" for load size recommendations for each cycle.	Use cycle designed for the fabrics being washed.
		Add only one or two garments after washer/dryer has started.
	The load may be out of balance.	When load unbalance occurs, a washing process will start to redistribute the load. This may lengthen the cycle time. Avoid washing single items. Balance a single item such as a rug or jean jacket with a few extra items.
The load needs additional rinses.	Most cycles allow for the option of additional rinses. See "Cycle Guides" and Step 10 on page 13 for additional rinse options.	
Load is wrinkled, twisted, or tangled	Washer/dryer not loaded as recommended.	Add load loosely. Items need to move freely to reduce wrinkling and tangling. See "Cycle Guides" for load size recommendations for each cycle.
		Reduce tangling by mixing types of load items. Use the recommended cycle for the type of garments being washed.
	Spin speed too high for load.	Select a lower spin speed. Note that items will be wetter than when using a higher spin speed.
	The washer/dryer is not unloaded promptly.	Unload the washer/dryer as soon as it stops or use the Tumble Fresh™ option if you will not be able to unload the washer/dryer at the end of the cycle.
Not choosing the right cycle for the load being washed.	Choose the "Delicates" What to Wash cycle selection or another cycle selection with a low spin speed to reduce wrinkling.	
Not cleaning or removing stains	Washer/dryer not loaded as recommended.	Add load loosely. Items need to move freely for best cleaning. See "Cycle Guides" for load size recommendations for each cycle.
		Add only one or two garments after washer/dryer has started.
	Not using HE detergent or using too much HE detergent.	Use only HE detergent. Always measure detergent and follow manufacturer's directions based on load size and soil level.
	Hard water or high level of iron (rust) in water.	You may need to install a water softener and/or iron filter.
	Fabric softener dispensing ball used.	Dispensing balls will not operate correctly with this washer/dryer. Add liquid fabric softener to the Load & Go™ bulk dispenser (Dispenser 2).
Powdered detergent used for low-speed cycle.	Consider using liquid detergent.	

# TROUBLESHOOTING

First try the solutions suggested here or visit our website at [www.whirlpool.com/owners](http://www.whirlpool.com/owners)  
(in Canada [www.whirlpool.ca/owners](http://www.whirlpool.ca/owners)) for assistance and to possibly avoid a service call.

If you experience	Possible Causes	Solution
<b>Wash cycle not performing as expected (cont.)</b>		
Not cleaning or removing stains (cont.)	Not using correct cycle for fabric type.	Use a warmer wash temperature to improve cleaning.
		If using a What to Wash cycle selection paired with the “Quick” How to Wash cycle selection, wash only a few items.
		Use the “Heavy Duty” How to Wash cycle selection for tough cleaning.
		Add an extra rinse for heavily soiled loads.
	Not using dispensers/ dispensers not loaded properly.	Use dispensers to avoid fabric softener staining.
		Make sure that the Load & Go™ bulk dispenser liquid detergent dispenser is not empty.
Avoid overfilling.		
Do not add products other than those specified directly to load.		
Not washing like colors together.	Wash like colors together and remove promptly after the cycle is complete to avoid dye transfer.	
Odors	Monthly maintenance not done as recommended.	Run the Clean Washer with affresh® cycle monthly or every 30 wash cycles. See “Washer Care” in “All-In-One Washer/Dryer Maintenance.”
		Unload washer/dryer as soon as cycle is complete. Use the Tumble Fresh™ option if load cannot be removed immediately after the wash is complete.
	Not using HE detergent or using too much HE detergent.	Use only HE detergent. Be sure to measure correctly. Always follow the manufacturer’s directions.
		See the “Using the All-In-One Washer/Dryer” section.
Door not left open after use.	This washer/dryer has a tight seal to avoid water leaks. To avoid odors, leave the door open to allow the washer/dryer to dry between uses.	
Fabric damage	Sharp items were in pockets during wash cycle.	Empty pockets, zip zippers, and snap or hook fasteners before washing to avoid snags and tears.
	Strings and straps could have tangled.	Tie all strings and straps before starting wash load.
	Items may have been damaged before washing.	Mend rips and broken threads in seams before washing.
	Fabric damage can occur if washer/ dryer is tightly packed.	Avoid tightly packing the washer/dryer. Load with dry items only.
		Use cycle designed for the fabrics being washed.
		Add only one or two garments after washer/dryer has started.
	Fabric damage can occur if washer/ dryer door is closed on an item, trapping it between the door glass and the rubber seal.	Do not overfill the washer/dryer.
		Push wash load fully into the washer/dryer.

# TROUBLESHOOTING

First try the solutions suggested here or visit our website at [www.whirlpool.com/owners](http://www.whirlpool.com/owners)  
(in Canada [www.whirlpool.ca/owners](http://www.whirlpool.ca/owners)) for assistance and to possibly avoid a service call.

If you experience	Possible Causes	Solution
<b>Wash cycle not performing as expected (cont.)</b>		
Gray whites, dingy colors	Load not sorted properly.	The transfer of dye can occur when mixing whites and colors in a load. Sort dark clothes from whites and lights.
	Wash temperatures too low.	Use hot or warm temperatures if safe for the load.
	Not enough detergent used, or hard water.	Use more detergent for washing heavy soils in cold or hard water.
Incorrect dispenser operation	Clogged dispensers or laundry products dispensing too soon.	Do not overfill dispenser.
		Check Load & Go™ bulk dispenser before starting a cycle.
Single-dose laundry packet not dissolving	Adding laundry packet incorrectly.	Be sure laundry packet is added to washer/dryer drum before adding clothes. Follow the manufacturer's instructions to avoid damage to your garments.
	Washer/dryer not loaded as recommended (washer/dryer is tightly packed).	Reduce load size to allow single-dose laundry packet to dissolve.
Cycle time changes or cycle time too long	Normal washer/dryer operation.	The cycle times vary automatically based on your water pressure, water temperature, detergent, and clothes load. The options you select will also affect the cycle times.
	Excessive suds in washer/dryer.	When excessive suds are detected, a special suds routine automatically starts to remove extra suds and ensure proper rinsing of your garments. This routine will add time to the original cycle.
	Load may be out of balance.	When load unbalance occurs, a washing process will start to redistribute the load. This extends the cycle time. Avoid washing single items. Balance a single item such as a rug or jean jacket with a few extra items.
	Not using correct cycle for load type.	A What to Wash cycle selection paired with a "Quick" How to Wash cycle selection is designed for smaller load sizes (2–4 items) of lightly soiled garments.
When using a What to Wash cycle selection paired with the "Quick" or "Delicates" How to Wash cycle selections, you should wash small loads. This ensures a gentle wash for your garments without increasing cycle times.		

# TROUBLESHOOTING

First try the solutions suggested here or visit our website at [www.whirlpool.com/owners](http://www.whirlpool.com/owners)  
(in Canada [www.whirlpool.ca/owners](http://www.whirlpool.ca/owners)) for assistance and to possibly avoid a service call.

If you experience	Possible Causes	Solution
<b>Drying Operation</b>		
Drying cycle will not run	Door not closed completely.	Make sure the washer/dryer door is closed completely.
	Start/Pause button not touched firmly.	Touch the START/PAUSE button firmly.
	Drain pump filter not in place or clogged.	Clean the drain pump filter. See "Cleaning the Drain Pump Filter/ Draining Residual Water." Place drain pump filter back in washer/dryer and make sure it is properly seated.
	Household fuse is blown or circuit breaker has tripped.	There may be two household fuses or circuit breakers for the washer/dryer. Check that both fuses are intact and tight, or that both circuit breakers have not tripped. Replace the fuses or reset the circuit breaker. If the problem continues, call an electrician.
	Incorrect power supply.	Electric dryers require 240 volt power supply. Check with a qualified electrician.
	Wrong type of fuse.	Use a time-delay fuse.
	Water supply to washer/dryer not connected and turned on.	Connect the water supply to the washer/dryer and turn it on. The drying cycle will not run unless the water supply is connected and turned on.
Dry cycle not selected.	Select drying function (see Step 9 on page 12).	
<b>Unusual Noise</b>		
Rattling or vibrating noise	A small object caught between the edges of drum.	Check the front and rear edges of the drum for small objects. Clean out pockets before laundering.
	Washer/dryer isn't properly leveled.	The washer/dryer may vibrate if not properly installed. See "Installation Instructions." All four washer/dryer feet should be in firm contact with the floor.
	Clothing is balled up in washer/dryer.	When balled up, the load will bounce, causing the washer/dryer to vibrate. Separate the load items and restart the washer/dryer.
Loud humming or increased noise during cycle	Load is packed tightly.	Loading drum half full or less will improve drying performance.
<b>Drying Results</b>		
Clothes are not drying satisfactorily or drying times are too long	The load is too large and heavy to dry quickly.	Separate the load to tumble freely. Loading drum half full or less will improve drying performance and cycle time. Run a high speed spin cycle.
	The washer/dryer is located in a closet.	Closet doors must have ventilation openings at the top and bottom of the door. The front of the washer/dryer requires a minimum of 3" (76 mm) of airspace, 1" (25 mm) on the sides, and, for most installations, the rear of the washer/dryer requires 4" (102 mm). See "Installation Instructions."



# TROUBLESHOOTING

First try the solutions suggested here or visit our website at [www.whirlpool.com/owners](http://www.whirlpool.com/owners)  
(in Canada [www.whirlpool.ca/owners](http://www.whirlpool.ca/owners)) for assistance and to possibly avoid a service call.

If you experience	Possible Causes	Solution
<b>Drying Results (cont.)</b>		
Lint on load	Drain pump filter is clogged with lint.	Clean the drain pump filter. See “Cleaning the Drain Pump Filter/ Draining Residual Water.” This procedure should be performed every 6 months.
Dried loads are wrinkled	The load was not removed from washer/dryer at the end of the drying cycle.	Remove garments promptly at the end of the drying cycle, or use the Wrinkle Shield™ option (see “Using the All-In-One Washer/Dryer”).
	The washer/dryer was tightly packed.	Dry smaller loads that can tumble freely. Loading drum half full or less will improve drying performance and cycle time. Results may also vary depending on fabric type.
Load too hot	Load removed before cool-down portion of cycle complete.	Allow the drying cycle to complete the cool-down portion of the cycle before removing the load. If you cancel the cycle before the cool-down portion of the cycle and immediately remove the load, it will be very hot.

# TROUBLESHOOTING

First try the solutions suggested here or visit our website at [www.whirlpool.com/owners](http://www.whirlpool.com/owners)  
(in Canada [www.whirlpool.ca/owners](http://www.whirlpool.ca/owners)) for assistance and to possibly avoid a service call.

If you experience	Possible Causes	Solution
<b>Error Code Appears in Display</b>		
Once any possible issues are corrected, touch the POWER button once to clear the code. Re-select and restart the cycle.		
F0E1 Load detected in Clean Washer with affresh® cycle	Items detected in the washer/dryer when running a Clean Washer with affresh® cycle.	Remove load and restart the Clean Washer with affresh® cycle.
F0E2 Oversuds detection	Excessive suds in washer/dryer. Washer/dryer is running a suds reduction routine. Allow the wash cycle to continue.	Use only HE detergent.
F0E3 Over temperature on dry cycle	Dryer fan not functioning properly.	Try resetting the washer/dryer by unplugging it from the outlet and then plugging it back in. If unsuccessful, call for service.
F0E4 Over temperature on wash cycle	Wash water is too hot. Washer/dryer may be connected incorrectly to the home water supply.	Make sure that the washer/dryer is connected to the cold water supply only.
F0E5 Off balance load detected	Load could be unbalanced or too large.	Avoid tightly packing the washer/dryer. Avoid washing single items. Balance a single item with such as a rug or jeans with a few extra items.
F1E4 Main relay error	Problem detected with the main relay.	Try resetting the washer/dryer by unplugging it from the outlet and then plugging it back in. If unsuccessful, call for service.
F3E1 Pressure sensor problem	Problem detected with the pressure sensor.	Try resetting the washer/dryer by unplugging it from the outlet and then plugging it back in. If unsuccessful, call for service.
F3E2 Wash NTC failure	Problem detected with the wash NTC.	Call for service.
F3E3 Air inlet NTC failure	Problem detected with the air inlet NTC. The wash function is still operable, but the dry function will not operate.	Call for service.
F3E4 ADS error – sensors	Detergent level sensor error.	Clean the Load & Go™ bulk detergent dispenser, or add detergent manually until dispenser is cleaned.
F4E2 Dryer heater circuit failure	Problem detected with the dryer heater circuit. The wash function is still operable, but the dry function will not operate.	Call for service.
F4E3 Dryer blower motor failure	Problem detected with the dryer blower motor. The wash function is still operable, but the dry function will not operate.	Call for service.
F5E1 Door lock/door switch problem	Problem detected with the door switch/door lock. Door is unlocked during a cycle when it should be locked.	Try resetting the washer/dryer by unplugging it from the outlet and then plugging it back in. If unsuccessful, call for service.
F5E2 Door lock will not lock	Problem detected with the door lock.	Try resetting the washer/dryer by unplugging it from the outlet and then plugging it back in. If unsuccessful, call for service.
F5E3 Door lock will not unlock	Problem detected with the door lock.	Try resetting the washer/dryer by unplugging it from the outlet and then plugging it back in. If unsuccessful, call for service.

# TROUBLESHOOTING

First try the solutions suggested here or visit our website at [www.whirlpool.com/owners](http://www.whirlpool.com/owners)  
(in Canada [www.whirlpool.ca/owners](http://www.whirlpool.ca/owners)) for assistance and to possibly avoid a service call.

If you experience	Possible Causes	Solution
<b>Error Code Appears in Display (cont.)</b>		
Once any possible issues are corrected, touch the POWER button once to clear the code. Re-select and restart the cycle.		
F5E4 Door not opened between cycles	Three consecutive cycles were run without the door being opened. The washer/dryer will generate an invalid key beep when START is pressed.	Open and close the door. Check for obstructed door switch. Verify functionality of door switch.
F6E1 Communication failure between electronics in washer/dryer	Problem detected with the washer/dryer electronics.	Try resetting the washer/dryer by unplugging it from the outlet and then plugging it back in. If unsuccessful, call for service.
F6E2 Communication failure between electronics in washer/dryer	Problem detected with the washer/dryer electronics.	Try resetting the washer/dryer by unplugging it from the outlet and then plugging it back in. If unsuccessful, call for service.
F8E1 No water flow detected/ fill timeout	Washer/dryer may not be connected to the home water supply. Home water supply valve may not be turned on. Inlet hose to washer/dryer may be kinked. Inlet valve on washer/dryer may have failed.	Make sure that the washer/dryer is connected to the home cold water supply and that the home water supply valve is turned on. Verify that the inlet hose to the washer/dryer is not kinked. If problem persists, call for service.
F8E3 Overflow of water detected	Inlet valve on washer/dryer is leaking internally.	Call for service.
F9E1 Drain timeout/ drain pump failure	Drain pump filter on washer/dryer may need to be cleaned. Bellow drain holes in washer/dryer may be obstructed. Washer/dryer drain hose or home drain system may be obstructed. Drain pump on washer/dryer may have failed.	Clean drain pump filter on washer/dryer. Check bellow drain holes in washer/dryer for obstructions. Check washer/dryer drain hose and home drain system for obstructions. If problem persists, call for service.

## Manually Unlocking the Door

### **⚠ WARNING**



#### **Electrical Shock Hazard**

**Disconnect power before servicing.**

**Replace all parts and panels before operating.**

**Failure to do so can result in death or electrical shock.**

### **HOW TO MANUALLY OPEN DOOR**

Before opening the door as described below, refer to the failure “Door will not unlock” in the “Troubleshooting” section. The door may unlock by itself after the failure condition no longer exists.

If the door still cannot be opened, perform the following:

#### **Before Opening Door:**

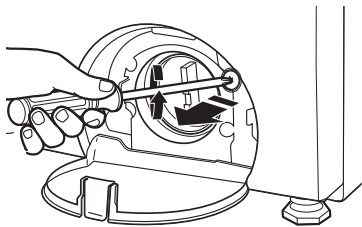
- Turn off and unplug the washer/dryer.
- Close the water faucet.
- Wait until the drum has stopped rotating – never open the door while the drum is in motion.
- Wait until water and laundry have cooled down when washing with high temperatures.

Always drain the water before opening the door by:

- Following the instructions in the “Cleaning the Drain Pump Filter/Draining Residual Water” section.

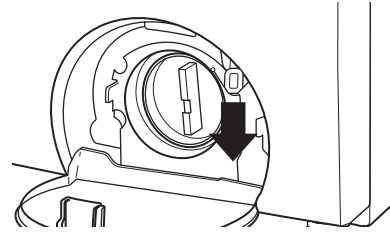
#### **To Unlock and Open Washer/Dryer Door:**

1. Open the drain pump filter access door at the bottom right corner at the front of the washer/dryer. With a Phillips head screwdriver, loosen and remove the Phillips head screw at the upper right portion of the access door compartment.

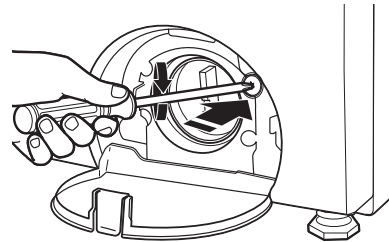


### **HOW TO MANUALLY OPEN DOOR (cont.)**

2. Pull down on the plastic strap located beneath the removed screw. The door can now be opened and the laundry removed, if needed.



3. After removing laundry (if needed), secure the plastic strap by replacing and tightening the Phillips head screw removed in Step 1 through the hole in the strap.



# Connected Appliance Regulatory Notices

## Federal Communications Commission (FCC) Compliance Notice

This equipment has been tested and found to comply with the limits for a Class B digital device, pursuant to Part 15 of the FCC Rules. These limits are designed to provide reasonable protection against harmful interference in a residential installation. This equipment generates, uses, and can radiate radio frequency energy and, if not installed and used in accordance with the instructions, may cause harmful interference to radio communications. However, there is no guarantee that interference will not occur in a particular installation. If this equipment does cause harmful interference to radio or television reception, which can be determined by turning the equipment off and on, the user is encouraged to try to correct the interference by one of the following measures:

- Reorient or relocate the receiving antenna.
- Increase the separation between the equipment and receiver.
- Connect the equipment into an outlet on a circuit different from that to which the receiver is connected.
- Consult the dealer or an experienced radio/TV technician for help.

This device complies with Part 15 of the FCC Rules. Operation is subject to the following two conditions:

1. This device may not cause harmful interference, and
2. This device must accept any interference received, including interference that may cause undesired operation.

Changes or modifications not expressly approved by the party responsible for compliance could void the user's authority to operate the equipment.

### RF Exposure Information

To comply with FCC/IC RF exposure requirements for mobile transmitting devices, this transmitter should only be used or installed at locations where there is at least 20 cm separation distance between the antenna and all persons.

To comply with FCC/IC RF exposure limits for general population/uncontrolled exposure, the antenna(s) used for this transmitter must be installed to provide a separation distance of at least 20 cm from all persons and must not be co-located or operating in conjunction with any other antenna or transmitter.

### Industry Canada (IC) Compliance Notice

This Device complies with Industry Canada License-exempt RSS standard(s). Operation is subject to the following two conditions:

1. This device may not cause interference,
2. This device must accept any interference, including interference that may cause undesired operation of the device.

Under Industry Canada regulations, this radio transmitter may only operate using an antenna of a type and maximum (or lesser) gain approved for the transmitter by Industry Canada. To reduce potential radio interference to other users, the antenna type and its gain should be so chosen that the equivalent isotropically radiated power (e.i.r.p.) is not more than that necessary for successful communication.

This radio transmitter IC: 10248A-XPWG3 has been approved by Industry Canada to operate with the antenna types listed below with the maximum permissible gain and required antenna impedance for each antenna type indicated. Antenna types not included in this list, having a gain greater than the maximum gain indicated for that type, are strictly prohibited for use with this device.

Antenna Type	Maximum Permissible Antenna Gain (dBi)	Required Impedance (OHM)
Slot	1.76	50

To comply with FCC and Industry Canada RF radiation exposure limits for general population, the antenna(s) used for this transmitter must be installed such that a minimum separation distance of 20 cm is maintained between the radiator (antenna) and all persons at all times and must not be co-located or operating in conjunction with any other antenna or transmitter.

Le présent appareil est conforme aux CNR d'Industrie Canada applicables aux appareils radio exempts de licence. L'exploitation est autorisée aux deux conditions suivantes :

- (1) l'appareil ne doit pas produire de brouillage, et
- (2) l'utilisateur de l'appareil doit accepter tout brouillage radioélectrique subi, même si le brouillage est susceptible d'en compromettre le fonctionnement.

Conformément à la réglementation d'Industrie Canada, le présent émetteur radio peut fonctionner avec une antenne d'un type et d'un gain maximal (ou inférieur) approuvé pour l'émetteur par Industrie Canada. Dans le but de réduire les risques de brouillage radioélectrique à l'intention des autres utilisateurs, il faut choisir le type d'antenne et son gain de sorte que la puissance isotrope rayonnée équivalente (p.i.r.e.) ne dépasse pas l'intensité nécessaire à l'établissement d'une communication satisfaisante.

Le présent émetteur radio IC : 10248A-XPWG3 a été approuvé par Industrie Canada pour fonctionner avec les types d'antenne énumérés ci-dessous et ayant un gain admissible maximal et l'impédance requise pour chaque type d'antenne. Les types d'antenne non inclus dans cette liste, ou dont le gain est supérieur au gain maximal indiqué, sont strictement interdits pour l'exploitation de l'émetteur.

Type d'antenne	Gain admissible maximal d'antenne (dBi)	L'impédance requise (OHM)
À fentes	1,76	50

Pour satisfaire aux exigences de la FCC et IC d'exposition aux radiofréquences, une distance de séparation de 20 cm ou plus doit être maintenue entre cet appareil et des personnes lors de fonctionnement du dispositif. Pour assurer la conformité des opérations au plus près que cette distance n'est pas recommandée. L'antenne utilisée pour ce transmetteur ne doit pas être co-localisée en conjonction avec toute autre antenne ou transmetteur.

### OEM Responsibilities to comply with FCC and Industry Canada Regulations

The XPWG3 Module has been certified for integration into products only by OEM integrators under the following conditions:

1. The antenna(s) must be installed such that a minimum separation distance of 20 cm is maintained between the radiator (antenna) and all persons at all times.
2. The transmitter module must not be co-located or operating in conjunction with any other antenna or transmitter.

As long as the two conditions above are met, further transmitter testing will not be required. However, the OEM integrator is still responsible for testing their end-product for any additional compliance requirements required with this module installed (for example, digital device emissions, PC peripheral requirements, etc.).

**IMPORTANT NOTE:** In the event that these conditions cannot be met (for certain configurations or co-location with another transmitter), then the FCC and Industry Canada authorizations are no longer considered valid and the FCC ID and IC Certification Number cannot be used on the final product. In these circumstances, the OEM integrator will be responsible for re-evaluating the end product (including the transmitter) and obtaining a separate FCC and Industry Canada authorization.

### End Product Labeling

The XPWG3 Module is labeled with its own FCC ID and IC Certification Number. If the FCC ID and IC Certification Number are not visible when the module is installed inside another device, then the outside of the device into which the module is installed must also display a label referring to the enclosed module. In that case, the final end product must be labeled in a visible area with the following:

**“Contains Transmitter Module FCC ID: A5UXPWG3”**

**“Contains Transmitter Module IC: 10248A-XPWG3”**

or

**“Contains FCC ID: A5UXPWG3”**

**“Contains IC: 10248A-XPWG3”**

The OEM of the XPWG3 Module must only use the approved antenna(s), which have been certified with this module. The OEM integrator has to be aware not to provide information to the end user regarding how to install or remove this RF module or change RF related parameters in the user manual of the end product.

### The user manual for the end product must include the following information in a prominent location:

“To comply with FCC and Industry Canada RF radiation exposure limits for general population, the antenna(s) used for this transmitter must be installed such that a minimum separation distance of 20 cm is maintained between the radiator (antenna) and all persons at all times and must not be co-located or operating in conjunction with any other antenna or transmitter.”

## Connected Appliance Regulatory Notices (cont.)

### Open Source License Usage

The following statements refer to the portions of this software based in part on FreeRTOS v7.0.2, <http://www.freertos.org>. The use of this software is governed by the terms of GNU General Public License v. 2, which is available at: <http://www.gnu.org/licenses/gpl-2.0.html>. A copy of the source code may be obtained by written request for the software by name to [opensource@whirlpool.com](mailto:opensource@whirlpool.com), along with the address for delivery.

The following statements refer to those portions of the software copyrighted by Eclipse Foundation, Inc. Copyright (c) 2007, Eclipse Foundation, Inc. and its licensors. All rights reserved.

Redistribution and use in source and binary forms, with or without modification, are permitted provided that the following conditions are met:

- Redistributions of source code must retain the above copyright notice, this list of conditions, and the following disclaimer.
- Redistributions in binary form must reproduce the above copyright notice, this list of conditions, and the following disclaimer in the documentation and/or other materials provided with the distribution.
- Neither the name of the Eclipse Foundation, Inc. nor the names of its contributors may be used to endorse or promote products derived from this software without specific prior written permission.

THIS SOFTWARE IS PROVIDED BY THE COPYRIGHT HOLDERS AND CONTRIBUTORS "AS IS" AND ANY EXPRESS OR IMPLIED WARRANTIES, INCLUDING, BUT NOT LIMITED TO, THE IMPLIED WARRANTIES OF MERCHANTABILITY AND FITNESS FOR A PARTICULAR PURPOSE ARE DISCLAIMED. IN NO EVENT SHALL THE COPYRIGHT OWNER OR CONTRIBUTORS BE LIABLE FOR ANY DIRECT, INDIRECT, INCIDENTAL, SPECIAL, EXEMPLARY, OR CONSEQUENTIAL DAMAGES (INCLUDING, BUT NOT LIMITED TO, PROCUREMENT OF SUBSTITUTE GOODS OR SERVICES; LOSS OF USE, DATA, OR PROFITS; OR BUSINESS INTERRUPTION) HOWEVER CAUSED AND ON ANY THEORY OF LIABILITY, WHETHER IN CONTRACT, STRICT LIABILITY, OR TORT (INCLUDING NEGLIGENCE OR OTHERWISE) ARISING IN ANY WAY OUT OF THE USE OF THIS SOFTWARE, EVEN IF ADVISED OF THE POSSIBILITY OF SUCH DAMAGE.

Portions of this software are copyright (c) Sawtooth Consulting Ltd. 2006-2015 All rights reserved.

Portions of this software are copyright (c) Arrayent, Inc. 2015 All rights reserved.

The following statements refer to those portions of the software copyrighted by Swedish Institute of Computer Science. Copyright (c) 2001-2004 Swedish Institute of Computer Science. All rights reserved.

Redistribution and use in source and binary forms, with or without modification, are permitted provided that the following conditions are met:

1. Redistributions of source code must retain the above copyright notice, this list of conditions, and the following disclaimer.
2. Redistributions in binary form must reproduce the above copyright notice, this list of conditions, and the following disclaimer in the documentation and/or other materials provided with the distribution.
3. The name of the author may not be used to endorse or promote products derived from this software without specific prior written permission.

THIS SOFTWARE IS PROVIDED BY THE AUTHOR "AS IS" AND ANY EXPRESS OR IMPLIED WARRANTIES, INCLUDING, BUT NOT LIMITED TO, THE IMPLIED WARRANTIES OF MERCHANTABILITY AND FITNESS FOR A PARTICULAR PURPOSE ARE DISCLAIMED. IN NO EVENT SHALL THE AUTHOR BE LIABLE FOR ANY DIRECT, INDIRECT, INCIDENTAL, SPECIAL, EXEMPLARY, OR CONSEQUENTIAL DAMAGES (INCLUDING, BUT NOT LIMITED TO, PROCUREMENT OF SUBSTITUTE GOODS OR SERVICES; LOSS OF USE, DATA, OR PROFITS; OR BUSINESS INTERRUPTION) HOWEVER CAUSED AND ON ANY THEORY OF LIABILITY, WHETHER IN CONTRACT, STRICT LIABILITY, OR TORT (INCLUDING NEGLIGENCE OR OTHERWISE) ARISING IN ANY WAY OUT OF THE USE OF THIS SOFTWARE, EVEN IF ADVISED OF THE POSSIBILITY OF SUCH DAMAGE.

The following statements refer to those portions of the software copyrighted by Marvell International Ltd. Copyright (c) Marvell International Ltd. All rights reserved.

DISCLAIMER. THIS SOFTWARE IS PROVIDED BY THE COPYRIGHT HOLDERS AND CONTRIBUTORS "AS IS" AND ANY EXPRESS OR IMPLIED WARRANTIES, INCLUDING, BUT NOT LIMITED TO, THE IMPLIED WARRANTIES OF MERCHANTABILITY AND FITNESS FOR A PARTICULAR PURPOSE ARE DISCLAIMED. IN NO EVENT SHALL THE COPYRIGHT OWNER OR CONTRIBUTORS BE LIABLE FOR ANY DIRECT, INDIRECT, INCIDENTAL, SPECIAL, EXEMPLARY, OR CONSEQUENTIAL DAMAGES (INCLUDING, BUT NOT LIMITED TO, PROCUREMENT OF SUBSTITUTE GOODS OR SERVICES; LOSS OF USE, DATA, OR PROFITS; OR BUSINESS INTERRUPTION) HOWEVER CAUSED AND ON ANY THEORY OF LIABILITY, WHETHER IN CONTRACT, STRICT LIABILITY, OR TORT (INCLUDING NEGLIGENCE OR OTHERWISE) ARISING IN ANY WAY OUT OF THE USE OF THIS SOFTWARE, EVEN IF ADVISED OF THE POSSIBILITY OF SUCH DAMAGE.

# WHIRLPOOL® LAUNDRY LIMITED WARRANTY

ATTACH YOUR RECEIPT HERE. PROOF OF PURCHASE IS REQUIRED TO OBTAIN WARRANTY SERVICE. Please have the following information available when you call the Customer eXperience Center:

- Name, address, and telephone number
- Model number and serial number
- A clear, detailed description of the problem
- Proof of purchase including dealer or retailer name and address

## IF YOU NEED SERVICE:

1. Before contacting us to arrange service, please determine whether your product requires repair. Some questions can be addressed without service. Please take a few minutes to review the Troubleshooting section of the Use and Care Guide or visit the "HOW-TOS & FAQs" section of <https://www.whirlpool.com/owners.html>.
2. All warranty service is provided exclusively by our authorized Whirlpool Service Providers. In the U.S. and Canada, direct all requests for warranty service to:

**Whirlpool Customer eXperience Center**

**In the U.S.A. call 1-866-698-2538. In Canada call 1-800-807-6777.**

If outside the 50 United States and Canada, contact your authorized Whirlpool dealer to determine if another warranty applies.

## ONE YEAR LIMITED WARRANTY

### WHAT IS COVERED

For one year from the date of purchase, when this major appliance is installed, operated, and maintained according to instructions attached to or furnished with the product, Whirlpool Corporation or Whirlpool Canada LP (hereafter "Whirlpool") will pay for Factory Specified Replacement Parts and repair labor to correct defects in materials or workmanship that existed when this major appliance was purchased, or at its sole discretion replace the product. In the event of product replacement, your appliance will be warranted by the remaining term of the original unit's warranty period.

**YOUR SOLE AND EXCLUSIVE REMEDY UNDER THIS LIMITED WARRANTY SHALL BE PRODUCT REPAIR AS PROVIDED HEREIN.** Service must be provided by a Whirlpool designated service company. This limited warranty is valid only in the United States or Canada and applies only when the major appliance is used in the country in which it was purchased. This limited warranty is effective from the date of original consumer purchase. Proof of original purchase date is required to obtain service under this limited warranty.

### WHAT IS NOT COVERED

1. Commercial, non-residential, multiple-family use, or use inconsistent with published user, operator, or installation instructions.
2. In-home instruction on how to use your product.
3. Service to correct improper product maintenance or installation, installation not in accordance with electrical or plumbing codes, or correction of household electrical or plumbing (e.g., house wiring, fuses, or water inlet hoses).
4. Consumable parts (e.g., light bulbs, batteries, air or water filters, preservation solutions).
5. Defects or damage caused by the use of non-genuine Whirlpool parts or accessories.
6. Conversion of your product from natural gas or propane gas or reversal of appliance doors.
7. Damage from accident, misuse, abuse, fire, floods, acts of God, or use with products not approved by Whirlpool.
8. Repairs to parts or systems to correct product damage or defects caused by unauthorized service, alteration, or modification of the appliance.
9. Cosmetic damage including scratches, dents, chips, and other damage to appliance finishes unless such damage results from defects in materials and workmanship and is reported to Whirlpool within 30 days.
10. Discoloration, rust, or oxidation of surfaces resulting from caustic or corrosive environments, including but not limited to, high salt concentrations, high moisture or humidity, or exposure to chemicals.
11. Pick-up or delivery. This product is intended for in-home repair.
12. Travel or transportation expenses for service in remote locations where an authorized Whirlpool servicer is not available.
13. Removal or reinstallation of inaccessible appliances or built-in fixtures (e.g., trim, decorative panels, flooring, cabinetry, islands, countertops, drywall) that interfere with servicing, removal, or replacement of the product.
14. Service or parts for appliances with original model/serial numbers removed, altered, or not easily determined.

**The cost of repair or replacement under these excluded circumstances shall be borne by the customer.**

### DISCLAIMER OF IMPLIED WARRANTIES

IMPLIED WARRANTIES, INCLUDING ANY IMPLIED WARRANTY OF MERCHANTABILITY OR IMPLIED WARRANTY OF FITNESS FOR A PARTICULAR PURPOSE, ARE LIMITED TO ONE YEAR OR THE SHORTEST PERIOD ALLOWED BY LAW. Some states and provinces do not allow limitations on the duration of implied warranties of merchantability or fitness, so this limitation may not apply to you. This warranty gives you specific legal rights, and you also may have other rights that vary from state to state or province to province.

### DISCLAIMER OF REPRESENTATIONS OUTSIDE OF WARRANTY

Whirlpool makes no representations about the quality, durability, or need for service or repair of this major appliance other than the representations contained in this Warranty. If you want a longer or more comprehensive warranty than the limited warranty that comes with this major appliance, you should ask Whirlpool or your retailer about buying an extended warranty.

### LIMITATION OF REMEDIES; EXCLUSION OF INCIDENTAL AND CONSEQUENTIAL DAMAGES

**YOUR SOLE AND EXCLUSIVE REMEDY UNDER THIS LIMITED WARRANTY SHALL BE PRODUCT REPAIR AS PROVIDED HEREIN. WHIRLPOOL SHALL NOT BE LIABLE FOR INCIDENTAL OR CONSEQUENTIAL DAMAGES.** Some states and provinces do not allow the exclusion or limitation of incidental or consequential damages, so these limitations and exclusions may not apply to you. This warranty gives you specific legal rights, and you also may have other rights that vary from state to state or province to province.

# SÉCURITÉ DE LAVEUSE/SÉCHEUSE COMBINÉE

## Votre sécurité et celle des autres est très importante.

Nous donnons de nombreux messages de sécurité importants dans ce manuel et sur votre appareil ménager. Assurez-vous de toujours lire tous les messages de sécurité et de vous y conformer.



Voici le symbole d'alerte de sécurité.

Ce symbole d'alerte de sécurité vous signale les dangers potentiels de décès et de blessures graves à vous et à d'autres.

Tous les messages de sécurité suivront le symbole d'alerte de sécurité et le mot "DANGER" ou "AVERTISSEMENT". Ces mots signifient :

 **DANGER**

Risque possible de décès ou de blessure grave si vous ne suivez pas immédiatement les instructions.

 **AVERTISSEMENT**

Risque possible de décès ou de blessure grave si vous ne suivez pas les instructions.

Tous les messages de sécurité vous diront quel est le danger potentiel et vous disent comment réduire le risque de blessure et ce qui peut se produire en cas de non-respect des instructions.



## **AVERTISSEMENT - "Risque d'incendie"**

- L'installation de la laveuse/sécheuse à linge doit être effectuée par un installateur qualifié.
- Installer la laveuse/sécheuse conformément aux instructions du fabricant et aux codes locaux.
- Pour réduire le risque de blessure grave ou de décès, suivre toutes les instructions d'installation.
- Conserver ces instructions.



## IMPORTANTES INSTRUCTIONS DE SÉCURITÉ

**AVERTISSEMENT :** Pour réduire les risques d'incendie, de choc électrique ou de blessures lors de l'utilisation de la laveuse, suivre les précautions fondamentales dont les suivantes :

- Lire toutes les instructions avant d'utiliser la laveuse.
- Ne pas laver des articles qui ont été nettoyés ou lavés avec de l'essence ou imbibés d'essence, solvants de nettoyage à sec, ou autres substances inflammables ou explosives; ces substances peuvent émettre des vapeurs susceptibles de s'enflammer ou d'exploser.
- Ne pas ajouter d'essence, solvant de nettoyage à sec ou autre produit inflammable ou explosif dans l'eau de lavage. Ces substances peuvent émettre des vapeurs susceptibles de s'enflammer ou d'exploser.
- Dans certaines conditions, de l'hydrogène gazeux peut se former dans un circuit d'eau chaude qui n'a pas été utilisé pendant 2 semaines ou plus. LE GAZ HYDROGÈNE EST EXPLOSIBLE. Si le circuit d'eau chaude n'a pas été utilisé pendant une telle période, avant d'utiliser la laveuse, ouvrir tous les robinets d'eau chaude et laisser l'eau s'écouler pendant plusieurs minutes par chaque robinet. Ceci permettra l'évacuation de l'hydrogène gazeux accumulé. Comme ce gaz est inflammable, ne pas fumer ou utiliser une flamme nue au cours de cette période.
- Ne pas laisser des enfants jouer sur ou à l'intérieur de la laveuse. Bien surveiller les enfants lorsque la laveuse est utilisée à proximité d'enfants.
- Avant de mettre la laveuse au rebut ou hors de service, enlever la porte ou le couvercle.
- Ne pas tenter d'atteindre un article à l'intérieur de la cuve de la laveuse lorsque le tambour, la cuve ou l'agitateur est en mouvement.
- Ne pas installer ou remiser cette laveuse à un endroit où elle serait exposée aux intempéries.
- Ne pas modifier les organes de commande.
- Ne pas réparer ou remplacer un composant quelconque de la laveuse, ni entreprendre une opération de service, si ce n'est spécifiquement recommandé dans ce manuel ou dans un manuel d'instructions de réparations destiné à l'utilisateur; il est alors essentiel que la personne concernée comprenne ces instructions et soit compétente pour les exécuter.
- Pour les instructions de liaison à la terre, voir "Spécifications électriques" dans les instructions d'installation.

**CONSERVEZ CES INSTRUCTIONS**

## IMPORTANTES INSTRUCTIONS DE SÉCURITÉ

**AVERTISSEMENT :** Pour réduire le risque d'incendie, de choc électrique ou de blessure lors de l'utilisation de la sècheuse, il convient d'observer certaines précautions élémentaires dont les suivantes :

- Lire toutes les instructions avant d'utiliser la sècheuse.
- Ne pas placer des articles exposés aux huiles de cuisson dans votre sècheuse. Les articles contaminés par des huiles de cuisson peuvent contribuer à une réaction chimique qui pourrait causer à la charge de s'enflammer. Pour réduire le risque d'incendie dû à des charges contaminées, la partie finale du programme de séchage par culbutage a lieu sans chaleur (période de refroidissement). Éviter d'arrêter une sècheuse en phase de culbutage avant la fin du programme de séchage, à moins de retirer et d'étendre rapidement tous les articles afin que la chaleur se dissipe.
- Ne pas faire sécher dans la machine des articles qui ont déjà été nettoyés, lavés, imbibés, ou tachés d'essence, de solvants pour nettoyage à sec, d'autres substances inflammables, ou de substances explosives puisqu'elles dégagent des vapeurs qui peuvent provoquer un incendie ou une explosion.
- Ne pas permettre à des enfants de jouer sur ou à l'intérieur de la sècheuse. Une surveillance étroite est nécessaire lorsque la sècheuse est utilisée près d'eux.
- Avant d'enlever la sècheuse du service ou la jeter, enlever la porte du compartiment de séchage.
- Ne pas mettre la main dans la sècheuse si le tambour est en mouvement.
- Ne pas installer ni entreposer la sècheuse où elle sera exposée aux intempéries.
- Ne pas jouer avec les commandes.
- Ne pas réparer ni remplacer une pièce de la sècheuse ou essayer d'en faire l'entretien à moins d'une recommandation spécifique dans le guide d'utilisation et d'entretien, ou publiée dans les instructions de réparation par l'utilisateur que vous comprenez et pouvez exécuter avec compétence.
- Ne pas utiliser un produit assouplissant de tissu ou des produits pour éliminer la statique à moins qu'ils ne soient recommandés par le fabricant du produit assouplissant de tissu ou du produit.
- Ne pas utiliser la chaleur pour faire sécher des articles fabriqués avec du caoutchouc mousse ou des matériaux semblables.
- Nettoyer le filtre à charpie avant et après chaque charge.
- Ne pas laisser la charpie, la poussière, ou la saleté s'accumuler autour du système d'évacuation ou autour de l'appareil.
- Un nettoyage périodique de l'intérieur de la sècheuse et du conduit d'évacuation doit être effectué par une personne qualifiée.
- Pour les instructions de liaison à la terre, voir "Spécifications électriques" dans les instructions d'installation.

**CONSERVEZ CES INSTRUCTIONS**

## IMPORTANTES INSTRUCTIONS DE SÉCURITÉ

Avant de jeter ou de ranger votre vieille sècheuse, enlever la porte.

**CONSERVEZ CES INSTRUCTIONS**

## ACCESSOIRES

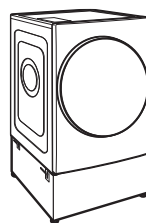
### ACCESSOIRES D'INSTALLATION ET D'ENTRETIEN

**PIÈCES AGRÉÉES PAR LE FABRICANT** – Ces mots désignent des pièces de qualité et des accessoires conçus spécialement pour votre appareil. Une ingénierie qui a fait ses preuves, pour répondre à nos normes de qualité les plus strictes.

---

### PIÈCES AGRÉÉES PAR LE FABRICANT

---



#### **Piédestal de 12"**

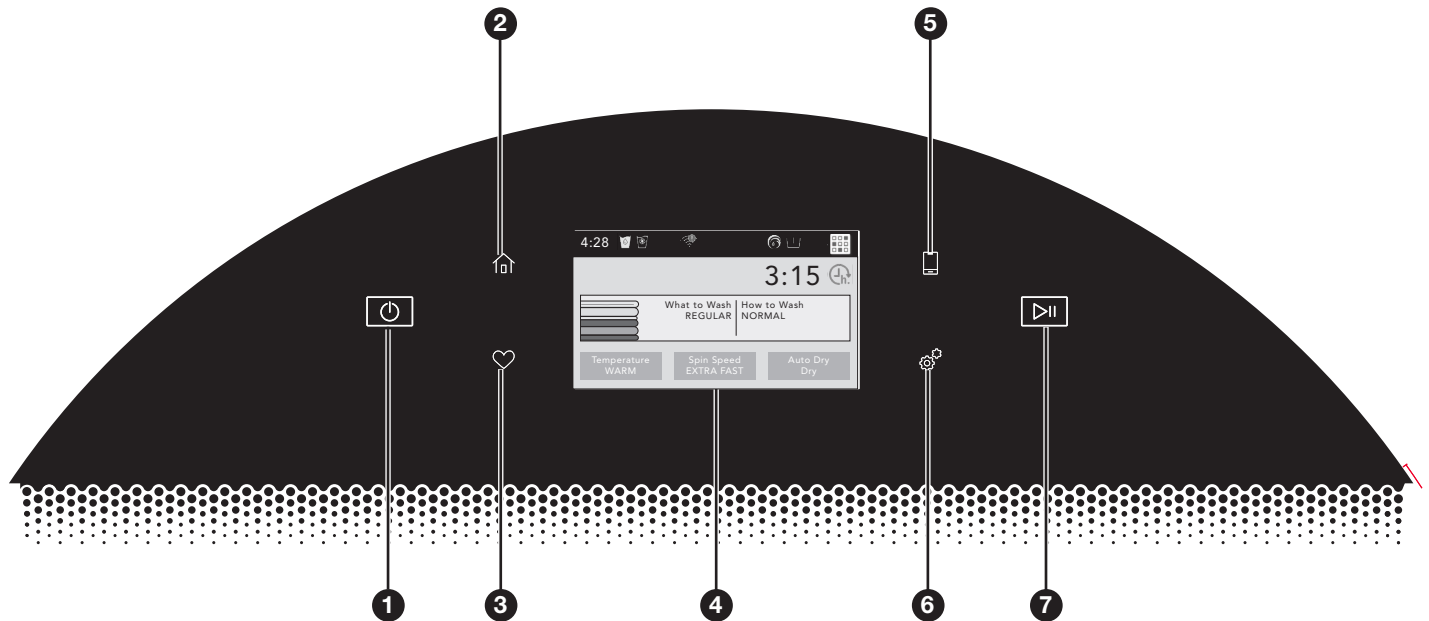
Le piédestal de couleur assortie élève la laveuse/sècheuse à une hauteur d'utilisation plus confortable.

Accessoires conçus pour votre appareil :

Personnaliser votre nouvelle laveuse/sècheuse grâce aux authentiques accessoires Whirlpool suivants. Pour plus d'informations sur les options et sur les possibilités de commande, appeler **1-800-688-2002** ou consulter [www.whirlpool.ca](http://www.whirlpool.ca).

# INSTRUCTIONS D'UTILISATION

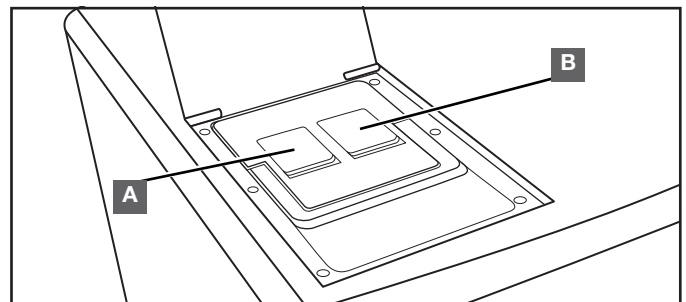
## Tableau de commande et caractéristiques



- 1 BOUTON DE MISE SOUS/HORS TENSION**  
Appuyer pour mettre en marche la laveuse/sécheuse.
- 2 BOUTON D'ACCUEIL**  
Appuyer sur cet bouton pour afficher l'écran d'accueil à l'écran ACL et permettre de sélectionner le programme, les réglages et les options.
- 3 BOUTON FAVORIS**  
Pour sauvegarder et accéder aux programmes favoris.
- 4 ÉCRAN ACL**  
Utiliser cet écran pour sélectionner le programme, les réglages, les options, etc.
- 5 BOUTON D'ACTIVATION À DISTANCE**  
Appuyer sur cet bouton pour permettre l'utilisation de l'application Whirlpool™ et commander la laveuse/sécheuse à distance. Télécharger l'application Whirlpool™ et suivre les instructions pour connecter votre laveuse/sécheuse au réseau Wi-Fi de votre maison. Il est aussi possible de visiter le [www.whirlpool.ca/fr\\_ca.html](http://www.whirlpool.ca/fr_ca.html).
- 6 BOUTON OUTILS**  
Appuyer sur cet bouton pour accéder à l'écran des outils. Pour obtenir plus d'informations, voir la page 59.
- 7 BOUTON DE MISE EN MARCHÉ/PAUSE**  
Appuyer pour mettre le programme en marche ou sur pause. La porte se verrouille lorsqu'un programme est mis en marche. La laveuse/sécheuse détecte la taille de la charge, puis met en marche le programme de lavage ou séchage.

### Distributeur Load & Go™

Le distributeur Load & Go™ peut contenir jusqu'à 33,8 oz (1 000 ml) de détergent liquide HE (distributeur 1) et 16,9 oz (500 ml) d'assouplissant de tissu liquide ou de détergent liquide HE (distributeur 2), ce qui est suffisant pour effectuer plusieurs lavages. Il ajoute la bonne quantité de détergent HE et d'assouplissant de tissu liquide au bon moment pendant le programme pour laver correctement la charge. Voir la section "Utilisateur du distributeur Load & Go™" pour savoir comment utiliser le distributeur.



- A Distributeur 1**  
Ce distributeur peut contenir 33,8 oz (1 000 ml) de détergent liquide HE qui sera utilisé pendant la phase principale du lavage, et il distribue automatiquement le détergent liquide au bon moment pendant le programme.
- B Distributeur 2**  
Ce distributeur peut contenir 16,9 oz (500 ml) d'assouplissant de tissu liquide. Il distribue automatiquement l'assouplissant de tissu liquide au bon moment pendant le programme. Ce distributeur peut aussi être utilisé comme deuxième distributeur de détergent liquide HE. Consulter l'étape 11 de la page 59 pour obtenir plus d'informations.

**IMPORTANT :** Ne pas utiliser d'eau de javel dans la laveuse/sécheuse, et ne pas utiliser de détergent en poudre dans le distributeur Load & Go.™ Le détergent en poudre doit être ajouté au tambour avant de placer les vêtements. Consulter la section "Utilisation de la laveuse/sécheuse combinée."

## Guides des programmes

Il est possible d'utiliser cette laveuse/sécheuse pour n'effectuer que des lavages, que des séchages ou les deux. La laveuse/sécheuse possède une interface utilisateur unique pour vous aider à sélectionner le programme le mieux adapté à votre charge. Les configurations "What to Wash" (articles à laver) et "How to Wash" (méthode de lavage) vous indiquent le programme idéal en deux étapes faciles :

D'abord, déterminer les articles de la charge que l'on va nettoyer. Sélectionner ainsi les articles adéquats dans la partie "What to Wash" (articles à laver). Ensuite, déterminer la manière dont l'on souhaite nettoyer ces articles et sélectionner la méthode appropriée dans la partie "How to Wash" (méthode de lavage). Choisir "What to Wash" (articles à laver) sélectionnera automatiquement une méthode de "How to Wash" (méthode de lavage) par défaut. Choisir "How to Wash" (méthode de lavage) est donc optionnel. Voir le tableau ci-dessous pour plus de détails.

Quels articles souhaitez-vous laver?	Sélection du programme "What to wash" (articles à laver)
Charges de vêtements en coton, lin et charges mixtes	Regular (normal)
Vêtements en coton de couleurs vives ou foncées, lin et charges mixtes	Colors (couleurs)
Tissus qui ne se repassent pas, chemises/pantalons habillés, synthétiques, vêtements en dentelle/minces	Delicates (articles délicats)
Vêtements/tissus blancs	Whites (blancs)
Serviettes et débarbouillettes résistantes	Towels (serviettes)
Articles de grande taille tels que les petits duvets, les sacs de couchage, les vestes et les tapis lavables	Bulky Items (articles volumineux)

Quelle méthode de lavage souhaitez-vous utiliser?	Sélection du programme "How to Wash" (méthode de lavage)
Régulier/normal	Normal
Rapide	Quick (rapide)
Lavage délicat à l'eau froide	Cold Wash (lavage à l'eau froide)
Lavage en profondeur	Heavy Duty (service intense)
Élimine 99 % de trois bactéries domestiques courantes	Sanitize (assainissement)

Les réglages et options indiqués en **gras** sont les réglages par défaut pour ce programme. Pour un meilleur soin des tissus, choisir le programme, les options et les réglages qui convient le mieux à la charge à laver. Toujours lire et suivre les instructions figurant sur les étiquettes de soin des tissus et sur les produits de lessive. Éviter un tassement excessif de la laveuse/sécheuse. La laveuse/sécheuse ne rincera pas bien et n'essorera pas correctement si les vêtements sont tassés. Remplir le tambour à moitié ou moins améliorera le rendement de lavage et séchage et réduira la durée du programme. Tous les réglages ne sont pas disponibles sur tous les programmes et certaines options ne peuvent pas être combinées.

Quels articles	Quelle méthode	Réglages de base			Options supplémentaires				
		Température	Vitesse d'essorage	Mode de séchage	Régler le niveau de saleté	Rinçages	Pre-trémpage	Tumble Fresh™ (culbutage frais)	Wrinkle Shield™ (antifroissement)
Regular (normal)	Normal	Extra Hot Hot <b>Warm</b> Cool Cold	<b>Extra Fast</b> Fast Medium	Auto Timed	Light <b>Normal</b> Heavy	<b>2</b> 3 4 5	X	X	X
	Quick (rapide)	Extra Hot Hot <b>Warm</b> Cool Cold	Extra Fast <b>Fast</b> Medium Slow Off	Auto Timed	<b>Light</b> Normal Heavy	<b>2</b> 3	X	X	X
	Cold Wash (lavage à l'eau froide)	Cool <b>Cold</b>	Extra Fast <b>Fast</b> Medium Slow Off	Auto Timed	Light <b>Normal</b> Heavy	<b>2</b> 3 4 5	X	X	X
	Heavy Duty (service intense)	Extra Hot <b>Hot</b> Warm Cool Cold	<b>Extra Fast</b> Fast Medium Slow Off	Auto Timed	Light Normal <b>Heavy</b>	<b>2</b> 3 4 5	X	X	X
	Sanitize (assainissement)	<b>Extra Hot</b>	<b>Extra Fast</b> Fast Medium	Auto Timed	Light <b>Normal</b> Heavy	<b>2</b> 3 4 5		X	X

Extra Hot (très chaude)  
Hot (chaude)  
Warm (tiède)  
Cool (fraîche)  
Cold (froide)

Extra Fast (très rapide)  
Fast (rapide)  
Medium (moyenne)  
Slow (lente)  
Off (arrêt)

Auto (automatique)  
Timed (minuté)

Light (peu sale)  
Normal  
Heavy (très sale)

Quels articles	Quelle méthode	Réglages de base			Options supplémentaires				
		Température	Vitesse d'essorage	Mode de séchage	Régler le niveau de saleté	Rinçages	Pre-trépage	Tumble Fresh™ (culbutage frais)	Wrinkle Shield™ (antifroissement)
Colors (couleurs)	Normal	Warm <b>Cool</b> Cold	<b>Extra Fast</b> Fast Medium Slow Off	Auto Timed	Light <b>Normal</b> Heavy	<b>2</b> 3 4 5	X	X	X
	Quick (rapide)	Warm <b>Cool</b> Cold	<b>Extra Fast</b> <b>Fast</b> Medium Slow Off	Auto Timed	<b>Light</b> Normal Heavy	<b>2</b> 3	X	X	X
	Cold Wash (lavage à l'eau froide)	Cool <b>Cool</b>	<b>Extra Fast</b> <b>Fast</b> Medium Slow Off	Auto Timed	Light <b>Normal</b> Heavy	<b>2</b> 3 4 5	X	X	X
Delicates (articles délicats)	Normal	Warm <b>Cool</b> Cold	<b>Medium</b> Slow Off	Auto Timed	<b>Light</b> Normal Heavy	<b>2</b> 3 4 5	X	X	X
	Quick (rapide)	Warm <b>Cool</b> Cold	<b>Medium</b> Slow Off	Auto Timed	<b>Light</b> Normal Heavy	<b>2</b> 3	X	X	X
	Cold Wash (lavage à l'eau froide)	Cool <b>Cool</b>	<b>Medium</b> Slow Off	Auto Timed	<b>Light</b> Normal Heavy	<b>2</b> 3 4 5	X	X	X
Whites (blancs)	Normal	Extra Hot <b>Hot</b> Warm Cool Cold	<b>Extra Fast</b> Fast Medium Slow Off	Auto Timed	Light <b>Normal</b> Heavy	<b>2</b> 3 4 5	X	X	X
	Quick (rapide)	Extra Hot Hot <b>Warm</b> Cool Cold	<b>Extra Fast</b> <b>Fast</b> Medium Slow Off	Auto Timed	<b>Light</b> Normal Heavy	<b>2</b> 3	X	X	X
	Heavy Duty (service intense)	Extra Hot <b>Hot</b> Warm Cool Cold	<b>Extra Fast</b> Fast Medium Slow Off	Auto Timed	Light Normal <b>Heavy</b>	<b>2</b> 3 4 5	X	X	X
	Sanitize (assainissement)	<b>Extra Hot</b>	<b>Extra Fast</b> Fast Medium	Auto Timed	Light <b>Normal</b> Heavy	<b>2</b> 3 4 5		X	X
Towels (serviettes)	Normal	Extra Hot <b>Hot</b> Warm Cool Cold	<b>Extra Fast</b> Fast Medium Slow Off	Auto Timed	Light <b>Normal</b> Heavy	<b>2</b> 3 4 5	X	X	X
	Quick (rapide)	Extra Hot Hot <b>Warm</b> Cool Cold	<b>Extra Fast</b> <b>Fast</b> Medium Slow Off	Auto Timed	<b>Light</b> Normal Heavy	<b>2</b> 3	X	X	X
	Heavy Duty (service intense)	Extra Hot <b>Hot</b> Warm Cool Cold	<b>Extra Fast</b> Fast Medium Slow Off	Auto Timed	Light <b>Normal</b> Heavy	<b>2</b> 3 4 5	X	X	X
	Sanitize (assainissement)	<b>Extra Hot</b>	<b>Extra Fast</b> Fast Medium	Auto Timed	Light <b>Normal</b> Heavy	<b>2</b> 3 4 5		X	X

Extra Hot (très chaude)  
Hot (chaude)  
Warm (tiède)  
Cool (fraîche)  
Cold (froide)

Extra Fast (très rapide)  
Fast (rapide)  
Medium (moyenne)  
Slow (lente)  
Off (arrêt)

Auto (automatique)  
Timed (minuté)

Light (peu sale)  
Normal  
Heavy (très sale)

Quels articles	Quelle méthode	Réglages de base			Options supplémentaires				
		Température	Vitesse d'essorage	Mode de séchage	Régler le niveau de saleté	Rinçages	Pre-trépage	Tumble Fresh™ (culbutage frais)	Wrinkle Shield™ (antifroissement)
Bulky Items (articles volumineux)	Normal	Extra Hot Hot <b>Warm</b> Cool Cold	<b>Medium</b> Slow Off	Auto Timed	Light <b>Normal</b> Heavy	<b>2</b> 3 4 5	X	X	X
	Quick (rapide)	Extra Hot Hot <b>Warm</b> Cool Cold	<b>Medium</b> Slow Off	Auto Timed	<b>Light</b> Normal Heavy	<b>2</b> 3	X	X	X
	Heavy Duty (service intense)	Extra Hot <b>Hot</b> Warm Cool Cold	<b>Medium</b> Slow Off	Auto Timed	Light Normal <b>Heavy</b>	<b>2</b> 3 4 5	X	X	X

Extra Hot (très chaude)  
Hot (chaude)  
Warm (tiède)  
Cool (fraîche)  
Cold (froide)

Extra Fast (très rapide)  
Fast (rapide)  
Medium (moyenne)  
Slow (lente)  
Off (arrêt)

Auto (automatique)  
Timed (minuté)

Light (peu sale)  
Normal  
Heavy (très sale)

Les certifications de performance énergétique du gouvernement pour ce modèle sont fondées sur les modes REGULAR (régulier) (articles à laver), NORMAL (méthode de lavage), méthode de séchage AUTO DRYING OFF (séchage automatique désactivé), TIMED DRYING 4 HOURS (séchage minuté 4 heures), programme DRYING ONLY ON (séchage seulement activé) avec réglage de température de séchage maximum. Les valeurs par défaut configurées à l'usine pour les éléments REGULAR (régulier) (articles à laver), NORMAL (méthode de lavage), température WARM (tiède), vitesse d'essorage EXTRA FAST (très grande), mode de séchage AUTO DRYING OFF (séchage automatique désactivé), TIMED DRYING OFF (séchage minuté désactivé), DRYING ONLY OFF (séchage seulement désactivé) n'ont pas été utilisées.

## Choix du détergent approprié

Utiliser uniquement un détergent Haute efficacité ("HE"). L'emballage portera la mention "HE" ou "High Efficiency" (haute efficacité). Un lavage avec faible consommation d'eau produit un excès de mousse avec un détergent non HE ordinaire. Il est probable que l'utilisation d'un détergent ordinaire prolongera la durée des programmes et réduira la performance de rinçage. Ceci peut aussi entraîner des défaillances de composants et, avec le temps, une accumulation de moisissure. Les détergents HE produisent peu de mousse et se dissolvent rapidement pour produire une quantité de mousse idéale pour une performance optimale. Ils retiennent les particules de saleté en suspension afin qu'elles ne se redéposent pas sur les vêtements propres. Les détergents identifiés HE ne comportent pas tous une formule identique et ne produisent pas tous la même quantité de mousse. Par exemple, les détergents HE naturels, organiques et faits maison peuvent produire une plus grande quantité de mousse. Toujours suivre les recommandations du fabricant de détergent pour déterminer la quantité de détergent à utiliser.



Utiliser uniquement un détergent haute efficacité (HE).

## À propos de la concentration du détergent



Les détergents HE liquides disponibles de nos jours sont concentrés. La plupart des marques de détergents HE concentrés indiquent le niveau de concentration sur le flacon.

Mais si le niveau de concentration n'est pas indiqué sur le flacon, on peut facilement le calculer. Il suffit de diviser la taille de l'emballage en onces liquide par le nombre de charges. Consulter ensuite le tableau ci-dessous pour trouver la concentration.

Modifier les réglages de niveau de concentration de la laveuse en utilisant le bouton Outils (voir l'étape 11 à la page 59). Si l'on n'obtient pas les résultats de nettoyage désirés, régler la concentration à un niveau moins élevé. En cas de moussage excessif, régler la concentration à un niveau plus élevé.

Concentration	Nombre d'onces ÷ nombre de charges
2X	1,5 à 2,49 (44,4 ml à 73,6 ml)
3X	0,9 à 1,49 (26,6 ml à 44,1 ml)
4X	0,7 à 0,89 (20,7 ml à 26,3 ml)
5X	0,5 à 0,69 (14,8 ml à 20,4 ml)
6X	0,3 à 0,49 (8,9 ml à 14,5 ml)

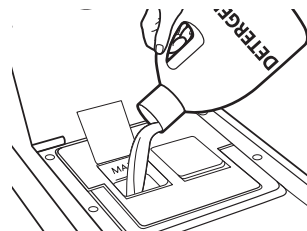
## Utilisation du distributeur Load & Go™

Suivre les étapes suivantes pour remplir le distributeur Load & Go™ lors de la première utilisation de la laveuse ou lorsque les icônes de faible quantité de détergent  ou d'assouplissant de tissu  de l'écran indiquent qu'il reste peu de ce produit.

1. Ouvrir le couvercle du distributeur situé sur le dessus de la laveuse/sécheuse.

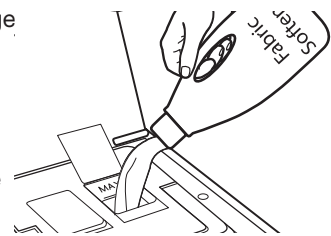
2. Soulever la porte de remplissage du distributeur de détergent liquide (distributeur 1). Ajouter du détergent liquide HE jusqu'à la ligne "MAX." Ne pas remplir excessivement. Fermer la porte de remplissage. Elle s'emboîte.

**REMARQUE :** Si le distributeur 1 est vide, il est possible de n'ajouter qu'une quantité de détergent liquide HE suffisante pour effectuer un lavage.



3. Soulever la porte de remplissage du distributeur d'assouplissant de tissu liquide (distributeur 2). Ajouter de l'assouplissant de tissu liquide jusqu'à la ligne "MAX." Ne pas remplir excessivement. Fermer la porte de remplissage. Elle s'emboîte.

**REMARQUE :** Si le distributeur 2 est vide, il est possible de n'ajouter qu'une quantité d'assouplissant de tissu liquide suffisante pour effectuer un lavage.



4. Fermer doucement le couvercle du distributeur. Vérifier qu'il est complètement fermé.

5. S'assurer que le distributeur est activé. Utiliser le bouton Outils pour vérifier que les distributeurs 1 et 2 sont activés et que la concentration de détergent est bonne. Consulter l'étape 11 de la page 59.



Utiliser uniquement un détergent haute efficacité (HE).

### REMARQUES :

- Le distributeur 2 peut être utilisé comme deuxième distributeur de détergent liquide HE. Utiliser le bouton Outils (consulter la section "Load & Go™ Distributeur 2") pour modifier le contenu du distributeur 2 et régler la concentration de détergent. S'assurer que l'autre distributeur est désactivé.
- Le distributeur Load & Go™ peut entièrement être enlevé pour faciliter le nettoyage.
- Bien nettoyer le distributeur de détergent liquide (distributeur 1) avant d'utiliser une autre marque de détergent.
- Bien nettoyer le distributeur d'assouplissant de tissu liquide (distributeur 2) avant de passer de l'assouplissant de tissu liquide au détergent liquide, de passer de nouveau du détergent à l'assouplissant de tissu liquide ou d'utiliser une autre marque de détergent.

### IMPORTANT :

- Ne pas utiliser d'agent de blanchiment au chlore dans la laveuse/sécheuse. L'agent de blanchiment au chlore endommagera l'appareil.
- Ne pas ajouter un sachet de lessive à dose unique dans le distributeur.
- Ne pas utiliser de détergent HE en poudre dans le distributeur.

**Agent de blanchiment au chlore**

# Utilisation de la laveuse/sécheuse combinée

## ⚠ AVERTISSEMENT



### Risque d'incendie

Ne jamais mettre des articles humectés d'essence ou d'autres fluides inflammables dans la laveuse.

Aucune laveuse ne peut complètement enlever l'huile.

Ne pas faire sécher des articles qui ont été salis par tout genre d'huile (y compris les huiles de cuisson).

Le non-respect de ces instructions peut causer un décès, une explosion ou un incendie.

## ⚠ AVERTISSEMENT



### Risque de choc électrique

Brancher sur une prise à 4 alvéoles reliée à la terre.

Le non-respect de cette instruction peut causer un décès ou un choc électrique.

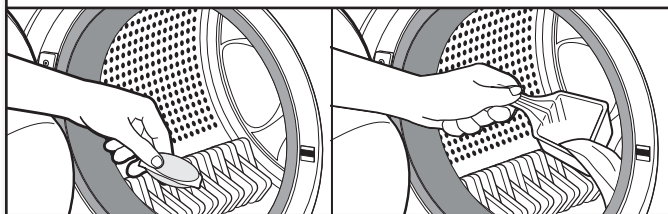
## Premier programme de lavage sans vêtements

Avant de laver des vêtements pour la première fois, régler le distributeur Load & Go™ (voir la page 55). Lancer un programme Regular (régulier) (What to Wash [articles à laver]) et Quick (rapide) (How to Wash [méthode de lavage]) sans ajouter de vêtements. Utiliser uniquement un détergent HE. Le programme initial sert à assurer que l'intérieur est propre et que le distributeur est prêt à l'utilisation avant de laver des vêtements.

Si du détergent liquide HE est utilisé dans les distributeurs 1 et 2, un deuxième programme de lavage sans vêtements devra être lancé, comme indiqué ci-dessus, pour préparer le distributeur 2 et en nettoyer l'intérieur. À l'aide du bouton Outils, s'assurer que le distributeur 1 est désactivé lors de la préparation du distributeur 2 pour le détergent.

- Retourner les tricots pour éviter le boulochage. Séparer les articles qui retiennent la charpie des articles qui la transmettent. Les articles synthétiques, tricots et articles en velours retiennent la charpie provenant des serviettes, des tapis et des tissus chenille.
- Ne pas sécher les vêtements si les taches sont toujours présentes après le lavage, car la chaleur pourrait fixer les taches sur le tissu.
- Toujours lire et suivre les instructions figurant sur les étiquettes de soin des tissus et sur les produits de lessive. Une mauvaise utilisation pourrait endommager les vêtements.

## 2. Si désiré, à la place d'utiliser du détergent liquide, ajouter du détergent HE en poudre et/ou des produits de buanderie

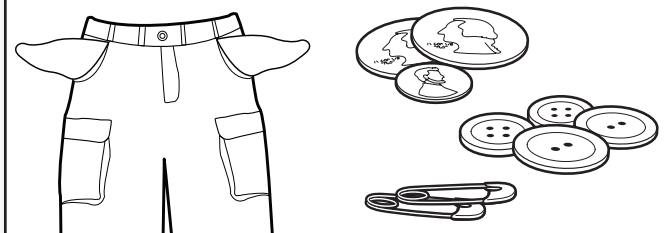


On peut ajouter du détergent HE en poudre, des sachets de lessive à dose unique, des activateurs de type Oxi ou des cristaux parfumés dans le tambour avant d'ajouter les vêtements. S'assurer que le distributeur Load & Go™ est désactivé ou à l'arrêt (voir l'étape 11 à la page 59) et passer l'étape 4 lorsque du détergent HE en poudre ou des sachets de lessive à dose unique sont utilisés.

### REMARQUES :

- Toujours suivre les instructions du fabricant.
- Ne pas utiliser d'agent de blanchiment au chlore.

## 1. Trier et préparer le linge



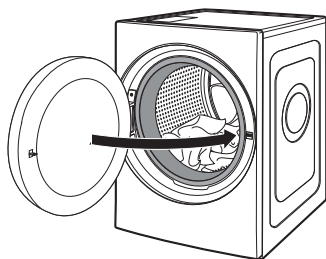
Trier les articles en fonction du programme et de la température recommandés, ainsi que la solidité des teintures. Séparer les articles très sales des articles peu sales. Séparer les articles délicats des tissus résistants. Traiter les taches sans délai et contrôler la solidité des teintures pour tester les produits d'élimination de taches sur une couture intérieure.

### IMPORTANT :

- Vider les poches. Les pièces de monnaie, boutons et autres petits objets peuvent obstruer les pompes et nécessiter une intervention de dépannage.
- Fermer les fermetures à glissière, attacher les crochets, cordons et ceintures en tissu, et retirer tout accessoire et ornement non lavables.
- Réparer les déchirures pour éviter que les articles ne s'endommagent encore davantage lors du nettoyage.



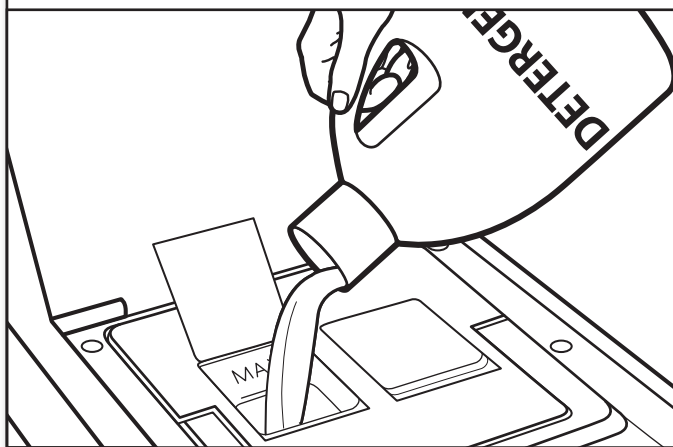
### 3. Charger les vêtements dans la laveuse/sécheuse



Placer une charge de linge trié dans la laveuse/sécheuse sans les tasser. Les articles doivent pouvoir se déplacer librement pour un nettoyage optimal et pour réduire le froissement et l'emmêlement. Si l'option de séchage est utilisée, ne charger le tambour qu'à moitié ou moins et ne pas interrompre le programme de séchage en ouvrant la porte pour améliorer le rendement de séchage et la durée du programme. Fermer la porte de la laveuse/sécheuse en la poussant fermement jusqu'à ce que le loquet émette un clic.

- Mélanger les gros articles avec les petits et éviter de laver des articles seuls. Charger de façon uniforme.
- Laver les petits articles dans des sacs à linge en filet. Si les petits articles sont nombreux, utiliser plus d'un sac et remplir les sacs de façon égale.

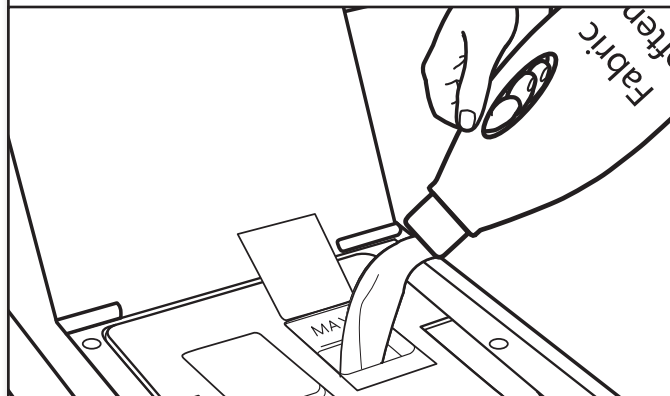
### 4. Ajouter du détergent liquide HE dans le distributeur Load & Go™ (s'il n'est pas déjà plein ou si l'icône de faible quantité de détergent s'affiche à l'écran), si désiré



Voir la page 55 pour savoir comment remplir le distributeur de détergent liquide (distributeur 1). Appuyer sur le bouton Outils et vérifier que le distributeur est activé. Consulter l'étape 11 de la page 59.

**REMARQUE :** Ne pas ajouter de détergent HE en poudre, de sachets de lessive à dose unique, d'activateurs de type Oxi ou de cristaux parfumés dans le distributeur. Ces produits ne se dissoudront pas correctement.

### 5. Ajouter de l'assouplissant de tissu liquide dans le distributeur Load & Go™ (s'il n'est pas déjà plein ou si l'icône de faible quantité d'assouplissant de tissu liquide s'affiche à l'écran), si désiré



Voir la page 55 pour savoir comment remplir le distributeur d'assouplissant de tissu liquide (distributeur 2). Appuyer sur le bouton Outils et vérifier que le distributeur est activé. Consulter l'étape 11 de la page 59.

#### IMPORTANT :

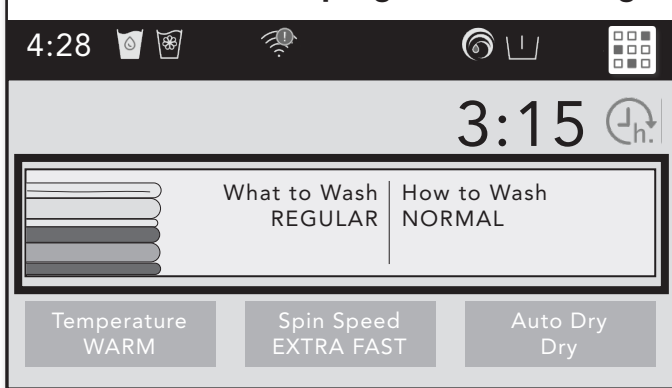
- Ne pas trop remplir ni diluer l'assouplissant de tissu.
- Ne pas renverser ou faire couler d'assouplissant de tissu sur les vêtements.
- Ne pas utiliser de cristaux parfumés dans le distributeur. Ces produits ne se dissoudront pas correctement.
- Ne pas ajouter à la fois de l'assouplissant de tissu et du détergent dans le distributeur 2.

### 6. Toucher le bouton de mise sous tension pour mettre la laveuse/sécheuse en marche



Toucher jusqu'à ce que les témoins s'illuminent.

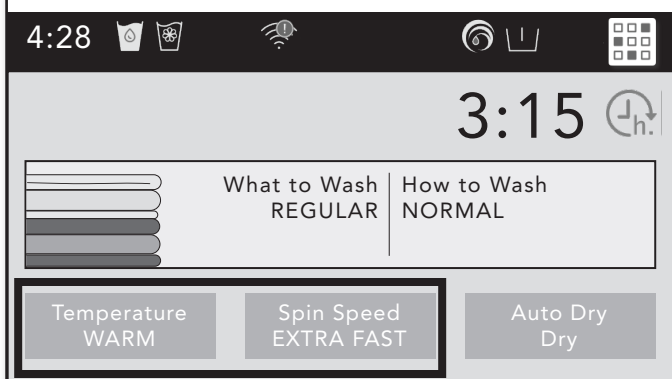
## 7. Sélectionner le programme de lavage



À partir de l'écran d'accueil, appuyer sur la zone "What to Wash" (articles à laver) pour sélectionner le programme répondant le mieux aux articles à laver. Il pourrait être nécessaire de naviguer vers le bas dans le menu pour voir toutes les sélections. Appuyer sur le programme désiré pour revenir à l'écran d'accueil.

Toucher la zone "How to Wash" (méthode de lavage) de l'écran pour sélectionner le programme correspond le mieux à la méthode de lavage souhaitée pour ces articles. Il pourrait être nécessaire de naviguer vers le bas dans le menu pour voir toutes les sélections. Appuyer sur le programme désiré pour revenir à l'écran d'accueil.

## 8. Sélectionner la température et la vitesse d'essorage†



À partir du menu d'accueil, appuyer dans la zone "Temperature" (température) de l'écran pour afficher les réglages de température de ce programme sélectionnés à l'étape 7. Toucher le réglage souhaité, puis sur OKAY pour confirmer le réglage.

La température de lavage recommandée est pré-réglée pour chaque programme. Certaines températures pré-réglées peuvent être modifiées. Il est possible de sélectionner une température de lavage différente en fonction du type de tissu et de saleté à laver. Pour des résultats optimaux, suivre les instructions sur l'étiquette du vêtement et utiliser la température d'eau de lavage la plus chaude possible qui reste sans danger pour le tissu. Toutes les fonctions de température de lavage sont accompagnées d'un rinçage à l'eau froide.

Appuyer dans la zone "Spin Speed" (vitesse d'essorage) de l'écran pour afficher les réglages de vitesse d'essorage du programme sélectionné à l'étape 7. Toucher le réglage souhaité, puis sur OKAY pour confirmer le réglage.

La vitesse d'essorage recommandée est pré-réglée pour chaque programme. Certaines vitesses pré-réglées peuvent être modifiées.

- Des vitesses d'essorage plus élevées signifient des durées de séchage plus courtes mais elles peuvent augmenter le froissement de la charge.
- Des vitesses d'essorage plus lentes signifient moins de froissement mais laissent la charge plus humide.

†Tous les réglages et toutes les options ne sont pas disponibles sur tous les programmes. Voir "Guides des programmes" pour les options et les réglages disponibles.

## Fonctions de séchage (Étape 9)

### ⚠ AVERTISSEMENT



#### Risque d'explosion

**Garder les matières et les vapeurs inflammables, telle que l'essence, loin de la sécheuse.**

**Ne pas faire sécher un article qui a déjà été touché par un produit inflammable (même après un lavage).**

**Le non-respect de ces instructions peut causer un décès, une explosion ou un incendie.**

### ⚠ AVERTISSEMENT



#### Risque d'incendie

**Aucune laveuse ne peut complètement enlever l'huile.**

**Ne pas faire sécher des articles qui ont été salis par tout genre d'huile (y compris les huiles de cuisson).**

**Ne pas sécher d'articles contenant de la mousse, du caoutchouc ou du plastique dans cette sécheuse.**

**Le non-respect de ces instructions peut causer un décès ou un incendie.**

## 9. Sélection des fonctions de séchage, si désiré†



À partir du menu d'accueil, appuyer sur la zone "Drying Mode" (mode de séchage) à l'écran pour afficher les modes de séchage.

À partir de l'écran de mode de séchage, choisir entre Auto-Drying (séchage automatique) et Timed-Drying (séchage minuté). Pour le séchage automatique, appuyer Auto-Drying (séchage automatique), puis appuyer l'écran pour choisir Damp Dry (séchage humide), Dry (sec) ou Extra Dry (très sec). Pour le séchage minuté, toucher Timed-Drying (séchage minuté), puis toucher l'écran pour choisir entre 30 min, 1h, 1h30, 2h, 3h ou 4h. Il faut s'attendre à une durée de séchage supérieure qu'avec une sécheuse avec aération traditionnelle.

## Pour n'effectuer qu'un programme de séchage :

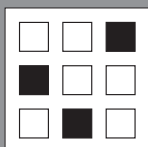
Remplir le tambour à moitié ou moins pour obtenir un rendement de séchage optimal et une durée de programme plus courte. À partir du menu d'accueil, appuyer sur la zone "Drying Mode" (mode de séchage) à l'écran pour afficher les modes de séchage. À partir de l'écran de mode de séchage, après avoir sélectionné Auto-Drying (séchage automatique) ou Timed-Drying (séchage minuté) comme indiqué précédemment, appuyer sur "DRYING ONLY ON" (séchage seulement). Ne pas ouvrir la porte pendant le programme de séchage.

**REMARQUE :** Si des articles à sécher sont très saturés d'eau, effectuer un essorage à très grande vitesse avant de lancer un programme de séchage.

### IMPORTANT :

- Ne pas utiliser d'assouplissant textile en feuilles pour sècheuse.
- Ne pas faire sécher de couettes ou les grandes couvertures.

## 10. Sélectionner les options, si désiré†



À partir de l'écran d'accueil, appuyer sur l'icône d'option (située dans le coin supérieur droit de l'écran); l'écran d'options affichera Soil Level (niveau de saleté), Extra Rinses (rinçages supplémentaires), Pre-Soak (prétrempage), Tumble Fresh™ et Wrinkle Shield™ (antifroissement). Les options déjà sélectionnées "What to Wash" (articles à laver) et "How to Wash" (méthode de lavage) s'affichent à l'écran. Toucher chaque option à l'écran pour en modifier les réglages.

### Option de niveau de saleté

L'option de niveau de saleté permet de choisir entre les réglages de saleté Light (légère), Normal ou Heavy (intense). Le niveau de saleté recommandé est pré-réglé pour chaque programme. Certains niveaux de saleté pré-réglés peuvent être modifiés. Pour la saleté intense et les tissus robustes, sélectionner le réglage de saleté intense. Pour la saleté légère et les tissus délicats, sélectionner le réglage de saleté légère. Des réglages de niveau de saleté inférieurs aideront à réduire l'emmelement et le froissement.

### Option de rinçages supplémentaires

L'option de rinçages supplémentaires permet d'ajouter un rinçage ou plus au programme sélectionné. Les rinçages supplémentaires peuvent être annulés à tout moment en appuyant sur le "X" situé à droite du temps restant estimé affiché à l'écran tactile.

### Option de prétrempage

L'option de prétrempage peut être activée ou désactivée. Le prétrempage peut être annulé à tout moment en appuyant sur le "X" situé à droite du temps restant estimé affiché à l'écran tactile.

### Option Tumble Fresh™

L'option Tumble Fresh™ fait culbuter de façon périodique la charge sur une période de 12 heures suivant la fin d'un programme. Toucher TUMBLE FRESH pour activer l'option. Cette option ne peut être utilisée lorsqu'un mode de séchage est sélectionné. L'option Tumble Fresh™ peut être annulée à tout moment en appuyant sur le "X" situé à droite du temps restant estimé affiché à l'écran tactile.

### Option Wrinkle Shield™ (antifroissement)

L'option Wrinkle Shield™ (antifroissement) ne peut être utilisée que si un mode de séchage a été sélectionné; il fait culbuter de façon périodique la charge sur une période de 12 heures suivant la fin d'un programme. L'option Wrinkle Shield™ (antifroissement) peut être annulée à tout moment en appuyant sur le "X" situé à droite du temps restant estimé affiché à l'écran tactile.

†Tous les réglages et toutes les options ne sont pas disponibles sur tous les programmes. Voir "Guides des programmes" pour les options et les réglages disponibles.

## 11. Utiliser le bouton Outils pour modifier d'autres réglages, si désiré



Le bouton Outils permet d'accéder plusieurs autres réglages, programmes, préférences et renseignements. Appuyer sur le bouton OUTILS pour accéder à l'écran des outils, lequel contient les éléments suivants (il faudra naviguer vers le bas pour accéder à toutes les sélections).

### Load & Go™ Dispenser 1 (distributeur 1)

Appuyer sur cette icône pour accéder à :  
Load & Go™ Status Dispenser 1 (état du distributeur 1) et choisir entre :

- Active (activé)
- Disabled (1 Cycle) (désactivé [1 programme])
- Off (Permanently) (arrêt [permanent])

Detergent Concentration Dispenser 1 (concentration du détergent du distributeur 1) et choisir entre :

- 2X
- 4X
- 6X
- 8X

### Load & Go™ Dispenser 2 (distributeur 2)

Appuyer sur cette icône pour accéder à :  
Load & Go™ Status Dispenser 2 (état du distributeur 2) et choisir entre :

- Active (activé)
- Disabled (1 Cycle) (désactivé [1 programme])
- Off (Permanently) (arrêt [permanent])

Load & Go™ Content Dispenser 2 (contenu du distributeur 2) et choisir entre :

- Softener (assouplissant)
- Detergent (détergent)

Une fois réglé sur détergent :  
Set Concentration Dispenser 2 (régler la concentration du détergent du distributeur 2) et choisir entre :

- 2X
- 4X
- 6X
- 8X

### Control Lock (verrouillage des commandes)

Appuyer sur cette icône pour verrouiller les commandes. Naviguer vers le haut pour déverrouiller.

### Mute (silence)

Appuyer sur cette icône pour mettre le son en sourdine ou le réactiver.

### Utility Cycles (programmes utilitaires)

Appuyer sur cette icône pour accéder aux programmes suivants : Spin (essorage), Drain (vidange), Rinse & Spin (rinçage et essorage) et Clean Washer with affresh® (nettoyer la laveuse avec affresh®). Toucher le programme à utiliser et suivre les instructions à l'écran.

### Preferences (préférences)

Appuyer pour permet d'accéder Times and Dates (réglages de l'heure et de la date), Sound Volume (volume du son), Display Settings (l'affichage) et Regional (région). Suivre les instructions à l'écran.

### WiFi

Appuyer pour permet d'accéder Connect to Network (connexion au réseau), SAID (ID d'appareil intelligent), Mac Address (l'adresse Mac) et WiFi. Suivre les instructions à l'écran.

### Info

Appuyer pour permet d'accéder Service & Support (entretien et soutien), Store Demo Mode (mode de démonstration en boutique), Restore Factory (réinitialisation aux réglages d'usine), WiFi Terms and Conditions (conditions de l'utilisation du Wi-Fi) et Software Terms and Conditions (conditions d'utilisation du logiciel). Suivre les instructions à l'écran.

## 12. Toucher le bouton START/PAUSE (mise en marche/pause) pour démarrer le programme



Toucher le bouton START/PAUSE (mise en marche/pause) pour démarrer le programme de lavage. Pour suspendre un programme en cours, toucher une fois le bouton START/PAUSE (mise en marche/pause), puis toucher de nouveau pour poursuivre le programme. Pour annuler un programme, appuyer sur le "X" situé à droite du temps restant estimé affiché à l'écran tactile.

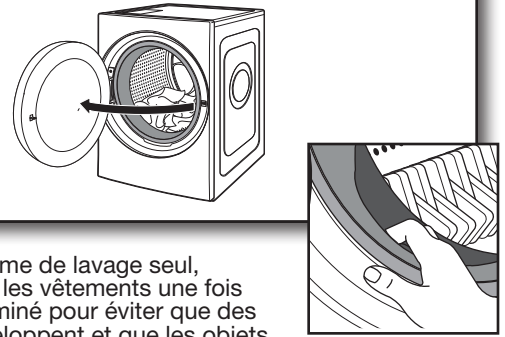
Après avoir appuyé sur le bouton START/PAUSE (mise en marche/pause), la porte se verrouille. La porte de la laveuse/sécheuse demeurera verrouillée durant un programme de lavage.

## 13. Toucher le bouton POWER (mise sous tension) pour éteindre la laveuse/sécheuse une fois le programme terminé



Toucher le bouton POWER (mise sous tension) pour éteindre la laveuse/sécheuse à la fin d'un programme. Le bouton POWER (mise sous tension) est aussi utilisé pour allumer la laveuse/sécheuse avant de l'utiliser.

## 14. Retirer rapidement les vêtements une fois le programme terminé



Après un programme de lavage seul, retirer rapidement les vêtements une fois le programme terminé pour éviter que des odeurs ne se développent et que les objets métalliques faisant partie des vêtements ne rouillent. Lorsqu'on décharge les vêtements, tirer le joint de la porte et vérifier qu'il ne reste pas de petits articles entre la cuve et le tambour.

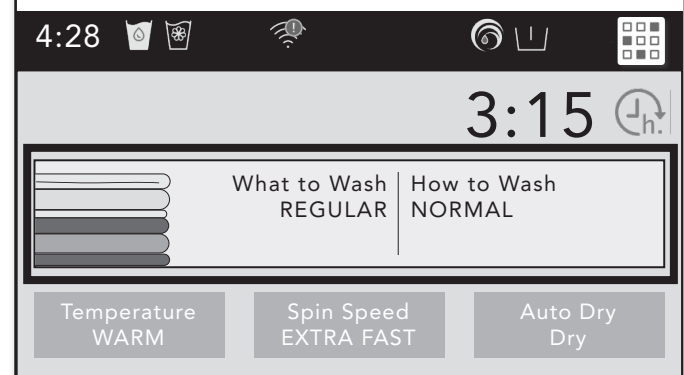
Si l'on n'est pas en mesure de retirer rapidement la charge, utiliser l'option Tumble Fresh™ (voir l'étape 10, page 59).

Après un programme de lavage avec séchage ou un programme de séchage seul, retirer rapidement les vêtements pour ne pas qu'ils se froissent. S'il est impossible de retirer rapidement la charge, utiliser l'option Wrinkle Shield™ (antifroissement) (voir l'étape 10, page 59).

### REMARQUES :

- La porte reste verrouillée lorsque l'option Tumble Fresh™ est activée après un programme de lavage seul. Pour annuler l'option Tumble Fresh™ et déverrouiller la porte, appuyer sur le "X" situé à droite du temps restant estimé affiché à l'écran tactile.
- Cette laveuse/sécheuse dispose d'une fermeture étanche pour éviter les fuites d'eau. Pour éviter la formation d'odeurs, laisser la porte ouverte afin de permettre à la laveuse/sécheuse de sécher entre deux utilisations.
- La charge sera très chaude si le programme de séchage est interrompu et que la charge est retirée avant la période de refroidissement de la fin du programme.

## Réglage d'une mise en marche différée



Toucher POWER (mise sous tension) jusqu'à ce que les témoins s'illuminent. À partir du menu d'accueil, s'assurer que la laveuse/sécheuse est réglée à la bonne date et heure (si ce n'est pas le cas, voir l'étape 11 de la page 59 pour obtenir des instructions sur la façon de régler l'heure et la date).

Toucher l'icône d'horloge située dans la partie la plus à droite de l'écran tactile. L'écran "Select a start time" (sélectionner une heure de mise en marche) s'affiche. Choisir une heure de mise en marche pour le programme de lavage ou de séchage. L'heure s'affiche par incréments de 15 minutes. Appuyer sur OKAY pour régler l'heure de mise en marche. L'affichage revient à l'écran d'accueil et l'icône d'horloge devient brune.

Pour supprimer ou modifier l'heure de mise en marche, toucher de nouveau l'icône d'horloge et suivre les instructions à l'écran.

# Entretien de la laveuse/sécheuse combinée

## NETTOYAGE DE L'EMPLACEMENT DE LA LAVEUSE/SÉCHEUSE

Éviter de laisser autour de la laveuse/sécheuse des éléments qui pourraient obstruer la circulation de l'air et empêcher le bon fonctionnement de la sécheuse. Ceci implique de dégager également les éventuelles piles de linge placées devant la laveuse/sécheuse.

## AVERTISSEMENT



### Risque d'explosion

**Garder les matières et les vapeurs inflammables, telle que l'essence, loin de la sécheuse.**

**Placer la sécheuse au moins 460 mm (18 po) au-dessus du plancher pour une installation dans un garage.**

**Le non-respect de ces instructions peut causer un décès, une explosion ou un incendie.**

## ENTRETIEN DE LA LAVEUSE/SÉCHEUSE

### Recommandations pour le maintien de la propreté de la laveuse/sécheuse et du niveau de performance optimal

1. Utiliser toujours un détergent HE (Haute efficacité) et employer la quantité de détergent recommandée par le fabricant du détergent HE. Ne jamais utiliser plus que la quantité recommandée de détergent, car ceci peut augmenter le taux d'accumulation de résidus de détergent et de souillures à l'intérieur de la laveuse, ce qui pourrait entraîner la formation d'odeurs indésirables.
2. Exécuter périodiquement des lavages avec de l'eau tiède ou chaude (et non pas exclusivement des lavages à l'eau froide), car l'eau chaude permet de contrôler plus efficacement la vitesse à laquelle les saletés et les résidus de détergent s'accumulent.
3. Veiller à toujours laisser la porte de la laveuse/sécheuse ouverte entre deux utilisations pour qu'elle puisse sécher, et pour éviter l'accumulation de résidus générateurs d'odeurs.
4. Nettoyer périodiquement les résidus s'accumulant sur les surfaces intérieures du hublot en verre. Pour un meilleur entretien, passer un linge humide sur toute la partie intérieure du hublot de la porte.

### Nettoyage de la laveuse/sécheuse à chargement par l'avant

Lire complètement ces instructions avant d'entreprendre les opérations de nettoyage de routine recommandées ci-dessous. Le processus d'entretien de la laveuse doit être exécuté au moins une fois par mois ou à intervalles de 30 lavages (selon la période la plus courte des deux); ceci permettra de contrôler la vitesse à laquelle les résidus de détergent et les souillures s'accumulent dans la laveuse/sécheuse.

## ENTRETIEN DE LA LAVEUSE/SÉCHEUSE (suite)

### Nettoyage du joint de la porte

1. Ouvrir le couvercle de la laveuse/sécheuse et retirer tous les vêtements ou articles présents dans la laveuse/sécheuse.
2. Inspecter le joint entre l'embrasure de la porte et le tambour – noter toute zone tachée ou d'accumulation de souillures. Tirer sur le joint pour examiner complètement la zone qui se trouve en dessous et vérifier qu'elle est libre de tout objet étranger.
3. S'il y a des zones tachées ou d'accumulation de souillures, nettoyer ces zones du joint par essuyage, selon la méthode ci-dessous :  
Une fois le programme terminé, tirer doucement sur le joint en caoutchouc de la porte et nettoyer toute la surface avec la face texturée d'une lingette affresh® pour nettoyer la machine affresh®.

### Nettoyage de l'intérieur de la laveuse/sécheuse

Cette laveuse/sécheuse comporte un programme spécial qui utilise des volumes d'eau plus importants, en combinaison avec le nettoyant pour laveuse affresh® pour un nettoyage en profondeur de l'intérieur de la laveuse/sécheuse.

**REMARQUE :** Lire ces instructions complètement avant de débiter la procédure de nettoyage.

### Commencement du processus de nettoyage

#### Programme de nettoyage de la laveuse avec affresh® (Recommandé – Performance supérieure) :

- a. Ouvrir la porte de la laveuse/sécheuse; retirer tous les articles présents dans la laveuse/sécheuse.
- b. Utiliser une lingette affresh® pour nettoyer la machine, un tissu doux mouillé ou une éponge pour nettoyer l'intérieur de la porte en verre.
- c. Ajouter une pastille de nettoyant pour laveuse affresh® dans le tambour de la laveuse.
- d. Ne pas ajouter de pastille de nettoyant pour laveuse affresh® dans le distributeur.
- e. Ne pas ajouter de détergent ou autre composé chimique dans la laveuse/sécheuse lors de l'exécution de cette procédure.
- f. Fermer la porte de la laveuse/sécheuse.
- g. Sélectionner le programme Clean Washer with affresh® (nettoyage de la laveuse avec affresh®).
- h. Sélectionner l'option Tumble Fresh™ pour mieux sécher l'intérieur de la laveuse/sécheuse une fois le programme terminé.  
**REMARQUE :** La laveuse/sécheuse garde en mémoire votre dernière sélection d'option et la sélectionnera pour vos prochains programmes de lavage, à moins que cette option soit retirée.
- i. Toucher le bouton de mise en marche/pause pour lancer le programme. Le processus du programme de nettoyage avec affresh® de la laveuse est décrit ci-dessous.

### Description de l'utilisation du programme Clean Washer with affresh® (nettoyage de la laveuse avec affresh®) :

1. Ne pas faire fonctionner ce programme avec une charge. Cela pourrait endommager les articles.
2. Une fois le programme terminé, laisser la porte entrouverte pour une meilleure aération et pour que l'intérieur de la laveuse/sécheuse puisse sécher.

## ENTRETIEN DE LA LAVEUSE/SÉCHEUSE (suite)

### Nettoyage du distributeur Load & Go™

Après avoir utilisé la laveuse/sécheuse pendant longtemps, on peut parfois constater une accumulation de résidus dans le distributeur Load & Go.™ Pour éliminer les résidus dans les distributeurs, soulever la poignée du boîtier du distributeur pour le retirer de la laveuse/sécheuse, puis bien rincer les deux distributeurs sous l'eau courante. Essuyer la surface extérieure des distributeurs avec une lingette affresh® pour nettoyer la machine ou un chiffon humide, et sécher avec une serviette. Si nécessaire, utiliser un nettoyant tout-usage. Replacer le distributeur dans la laveuse/sécheuse en s'assurant qu'il est bien placé.

**IMPORTANT :** Le distributeur Load & Go™ n'est pas lavable au lave-vaisselle.

### Nettoyage de l'extérieur de la laveuse/sécheuse

Utiliser une lingette affresh® pour nettoyer la machine ou une éponge ou un chiffon doux et humide pour essuyer les renversements. Essuyer de temps en temps les surfaces externes de la laveuse/sécheuse pour entretenir son aspect neuf. Utiliser une lingette affresh® pour nettoyer la machine ou de l'eau et un savon doux.

**IMPORTANT :** Afin d'éviter d'endommager le revêtement de la laveuse/sécheuse, ne pas utiliser de produits abrasifs.

## RAPPEL DE LANCEMENT DU PROGRAMME CLEAN WASHER (NETTOYAGE DE LA LAVEUSE)

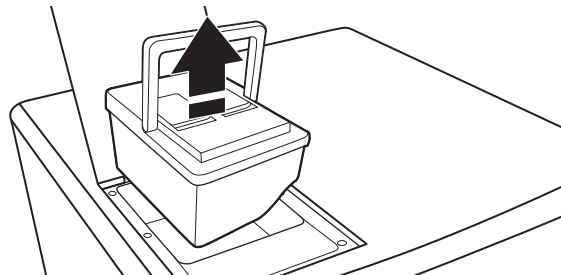
Le message Clean Washer with affresh® (nettoyage de la laveuse avec affresh®) clignote à la fin d'un programme de lavage après que la laveuse a effectué 30 programmes de lavage. Il fait office de rappel indiquant à l'utilisateur qu'il faut lancer le programme de nettoyage de la laveuse avec affresh®.

Si le programme de nettoyage de la laveuse avec affresh® n'est pas activé, le message cesse de clignoter à la fin d'un programme de lavage après que la laveuse a effectué trois programmes de lavage ordinaires supplémentaires. Après que la laveuse a effectué 30 programmes de lavage supplémentaires, le message Clean Washer with affresh® (nettoyage de la laveuse avec affresh®) clignote à nouveau à la fin d'un programme de lavage en guise de rappel.

## ENLEVER LE DISTRIBUTEUR LOAD & GO™

### Pour enlever :

1. Soulever le couvercle du distributeur situé sur le dessus de la laveuse/sécheuse.
2. Soulever la poignée du distributeur, puis tirer vers le haut et l'extérieur de la laveuse/sécheuse.



### Pour replacer :

1. Replacer le distributeur à sa place dans le haut de la laveuse/sécheuse en s'assurant qu'il est bien placé.
2. Fermer le couvercle du distributeur.

## TUYAU D'ARRIVÉE D'EAU

Remplacer le tuyau d'arrivée d'eau après 5 ans d'utilisation pour réduire le risque de défaillance intempestive. Inspecter périodiquement le tuyau et le remplacer en cas de renflement, de déformation, de coupure et d'usure ou si une fuite se manifeste.

Lors du remplacement du tuyau d'arrivée d'eau :

- Noter la date de remplacement au marqueur indélébile sur l'étiquette.
- Vérifier que la vieille rondelle n'est pas coincée dans la valve d'entrée de la laveuse.
- Utiliser de nouvelle rondelle avec le nouveau tuyau d'entrée pour assurer une bonne étanchéité.

## NON UTILISATION ET ENTRETIEN EN PÉRIODE DE VACANCES

En cas de déménagement ou si l'on n'utilise pas la laveuse/sécheuse pendant longtemps, suivre les étapes suivantes :

1. Débrancher la laveuse/sécheuse ou déconnecter la source de courant électrique.
2. Fermer l'alimentation en eau à la laveuse/sécheuse pour éviter toute inondation due à une surpression.

**CONSEIL UTILE :** Fixer une note à la laveuse/sécheuse pour rappeler d'ouvrir de nouveau l'eau avant de l'utiliser à nouveau.

3. Nettoyer le distributeur. Voir "Nettoyage du distributeur Load & Go.™"

## ENTRETIEN POUR ENTREPOSAGE HIVERNAL

**IMPORTANT :** Pour éviter tout dommage, installer et remiser la laveuse/sécheuse à l'abri du gel. L'eau qui peut rester dans les tuyaux risque d'abîmer la laveuse/sécheuse en temps de gel. Si la laveuse/sécheuse doit faire l'objet d'un déménagement ou d'entreposage au cours d'une période de gel, hivériser la laveuse/sécheuse.

### Hivérisation de la laveuse/sécheuse :

1. Fermer le robinet d'eau; déconnecter et vidanger le tuyau d'arrivée d'eau.

**CONSEIL UTILE :** Fixer une note à la laveuse/sécheuse pour rappeler d'ouvrir de nouveau l'eau avant de l'utiliser à nouveau.

2. Retirer le filtre de la pompe de vidange.
3. Placer 1 pte (1 L) d'antigel pour véhicule récréatif dans le tambour et faire fonctionner la laveuse sur un programme Normal pendant environ 2 minutes pour mélanger l'antigel et l'eau restante.
4. Débrancher la laveuse/sécheuse ou déconnecter la source de courant électrique.

## ⚠ AVERTISSEMENT



### Risque de choc électrique

Déconnecter la source de courant électrique avant le nettoyage.

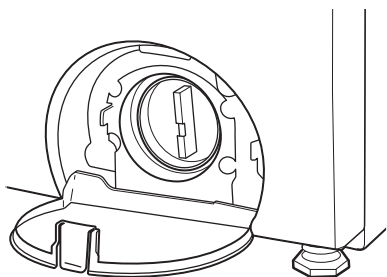
Replacer pièces et panneaux avant de faire la remise en marche.

Le non-respect de ces instructions peut causer un décès ou un choc électrique.

## NETTOYAGE DU FILTRE DE LA POMPE DE VIDANGE/VIDANGE DE L'EAU RÉSIDUELLE

**REMARQUE :** Effectuer la procédure suivante à intervalles de 6 mois.

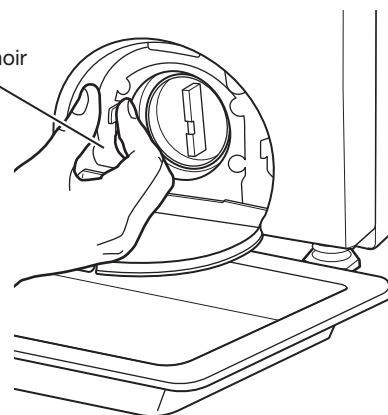
1. Ouvrir la porte d'accès au filtre de la pompe de vidange située dans le coin inférieur droit, à l'avant de la laveuse/sécheuse.



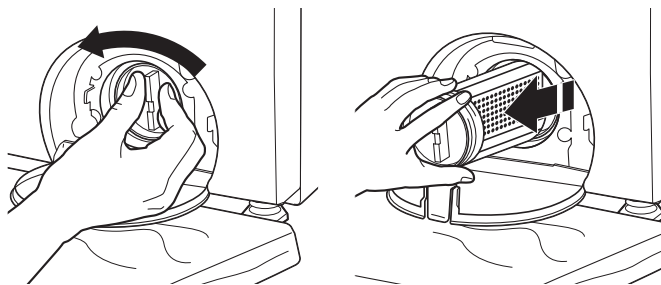
## NETTOYAGE DU FILTRE DE LA POMPE DE VIDANGE/VIDANGE DE L'EAU RÉSIDUELLE (suite)

2. Placer un contenant large et plat sous le filtre de la pompe de vidange pour ramasser l'eau de vidange. Tirer sur le tuyau noir, enlever le bouchon et vidanger le tuyau dans le contenant. Vider le contenant. Replacer le bouchon du tuyau de vidange et replacer le tuyau à sa place. Répéter au besoin la procédure jusqu'à ce qu'il n'y ait plus d'eau. S'assurer que le tuyau noir est entièrement sec.

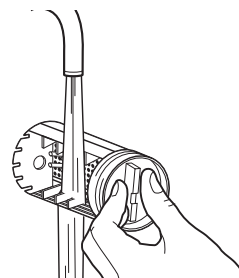
Tuyau noir



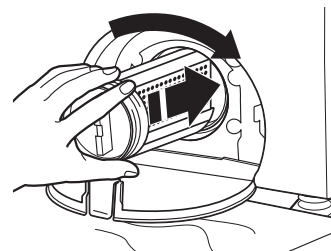
3. Déposer un tissu en coton sous le filtre de la pompe de vidange pour absorber l'eau restante. Retirer ensuite le filtre de la pompe de vidange en tournant dans le sens antihoraire.



4. Retirer la charpie du filtre à la main et la jeter de façon appropriée. Enlever les résidus du filtre en le rinçant à l'eau.



5. Replacer le filtre de la pompe de vidange en tournant dans le sens horaire. S'assurer de tourner aussi loin que possible en gardant la poignée du filtre à en position verticale.



## TRANSPORT DE LA LAVEUSE/SÉCHEUSE

1. Fermer le robinet d'eau; déconnecter et vidanger le tuyau d'arrivée d'eau.
2. Si l'on déplace la laveuse/sécheuse pendant une période de gel, suivre les instructions de la section "Entretien pour entreposage hivernal" avant de la déplacer.
3. Déconnecter le tuyau de vidange du système de vidange et de l'arrière de la laveuse/sécheuse.
4. Débrancher le cordon d'alimentation.
5. Placer le tuyau d'arrivée d'eau et le tuyau de vidange dans le tambour.
6. Enrouler le cordon d'alimentation et l'attacher avec un élastique ou avec un attache-câble pour l'empêcher de traîner sur le plancher.

**IMPORTANT :** Demander une intervention de dépannage si l'on doit installer de nouveaux boulons de transport. Ne pas réutiliser les boulons de transport. La laveuse/sécheuse doit être transportée en position verticale. Afin d'éviter d'endommager la structure de la laveuse/sécheuse, celle-ci doit être correctement installée pour pouvoir être déplacée par un technicien agréé.

## ⚠ AVERTISSEMENT



### Risque de choc électrique

**Brancher sur une prise à 4 alvéoles reliée à la terre.**

**Le non-respect de cette instruction peut causer un décès ou un choc électrique.**

## RÉINSTALLATION/RÉUTILISATION DE LA LAVEUSE

Pour réinstaller la laveuse/sécheuse après une période de non-utilisation, de vacances, de remisage pour l'hiver ou après un déménagement :

1. Consulter les "Instructions d'installation" pour choisir l'emplacement, régler l'aplomb de la laveuse/sécheuse et la raccorder.

2. Avant de réutiliser la laveuse/sécheuse, exécuter la procédure recommandée suivante :

### Remise en marche de la laveuse/sécheuse :

1. Vidanger les canalisations d'eau et le tuyau. Reconnecter le tuyau d'arrivée d'eau. Ouvrir le robinet d'eau.
2. Brancher la laveuse/sécheuse ou reconnecter la source de courant électrique.
3. Faire exécuter à la laveuse/sécheuse le programme de lavage Heavy Duty (service intense) pour nettoyer la laveuse/sécheuse et éliminer l'antigel, le cas échéant. Utiliser uniquement un détergent HE. Utiliser la moitié de la quantité recommandée par le fabricant pour une charge de taille moyenne.



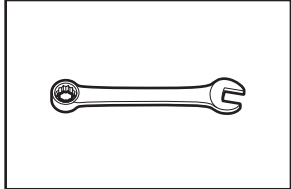
# INSTRUCTIONS D'INSTALLATION

## Exigences d'installation

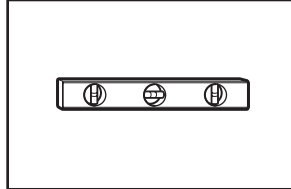
### Outils et pièces

Rassembler les outils et composants nécessaires avant d'entreprendre le processus d'installation.

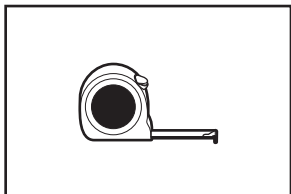
#### Outillage nécessaire :



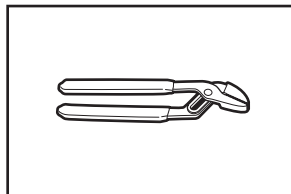
Clés plates ou clés à molette de 3/8" (10 mm) et 1/2" (13 mm)



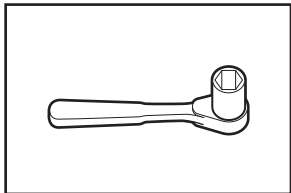
Niveau



Règle ou mètre ruban



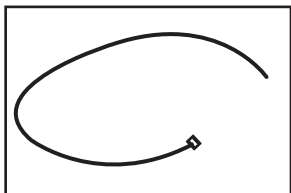
Pince qui s'ouvre à 1 7/16" (39,5 mm)



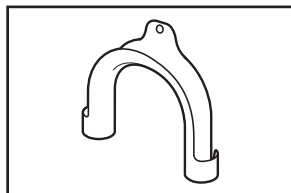
Clé à douille de 3/8" (10 mm)

#### Pièces fournies :

**REMARQUE :** Toutes les pièces fournies pour l'installation se trouvent dans le tambour de la laveuse/sécheuse. Les tuyaux d'arrivée d'eau et les rondelles ne sont pas compris.

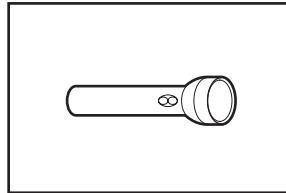


Attache de fixation

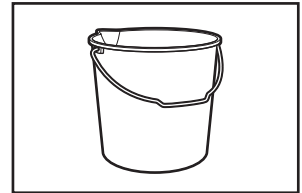


Bride de formage en U pour tuyau de vidange

#### Outillage facultatif :



Torche électrique



Seau

#### Autres pièces : (Non fournies avec la laveuse/sécheuse)

Il se peut que l'installation nécessite des pièces supplémentaires. Pour commander, composer le numéro sans frais indiqué au dos de ce manuel.

#### Accessoire disponible :

- Un piédestal assorti facultatif est disponible pour amener la laveuse/sécheuse à une hauteur d'utilisation plus confortable.

Pour commander, voir la section "Accessoires," page 50, téléphoner au marchand qui vous a vendu la laveuse/sécheuse ou consulter la section "Assistance ou service."

## Exigences d'emplacement

C'est à l'utilisateur qu'incombe la responsabilité de réaliser une installation correcte. Vérifier les spécifications des codes. Certains codes limitent ou interdisent l'installation de la laveuse/sécheuse dans un garage, un placard, une résidence mobile ou une chambre à coucher. Contacter l'inspecteur en bâtiments local.

### **⚠ AVERTISSEMENT**



#### **Risque d'explosion**

**Garder les matières et les vapeurs inflammables, telle que l'essence, loin de la sécheuse.**

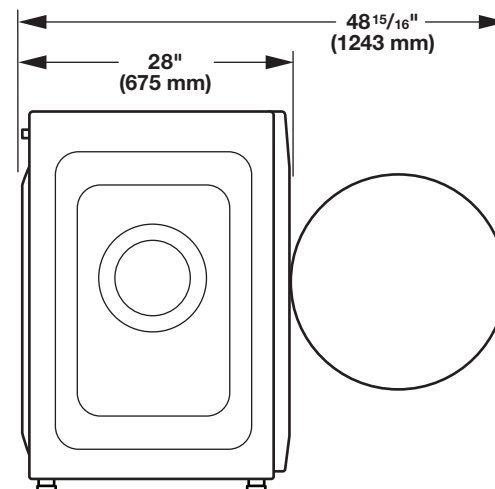
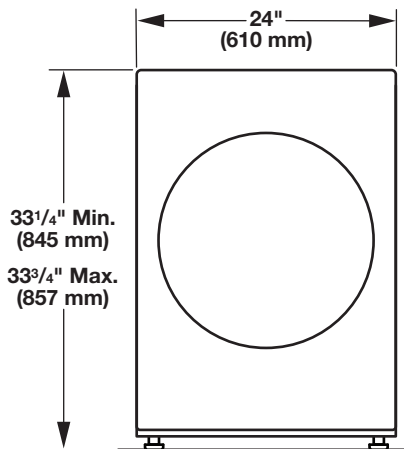
**Placer la sécheuse au moins 460 mm (18 po) au-dessus du plancher pour une installation dans un garage.**

**Le non-respect de ces instructions peut causer un décès, une explosion ou un incendie.**

#### **Il vous faudra :**

- Un circuit séparé de 30 ampères.
- Une prise électrique reliée à la terre située à 2 pi (610 mm) maximum d'un des côtés de la laveuse/sécheuse. Voir "Spécifications électriques."
- Un robinet d'eau situé à 4 pi (1,2 m) maximum du valve de remplissage de la laveuse/sécheuse, et une pression d'eau de 20 à 100 lb/po<sup>2</sup> (137,9 à 689,6 kPa).
- Un plancher de niveau ayant une pente maximale de 1" (25 mm) sous l'ensemble de la laveuse/sécheuse. Il n'est pas recommandé de l'installer sur un tapis, de la moquette ou des surfaces avec endos en mousse.
- Un plancher capable de supporter le poids total de 400 lb (180 kg) de la laveuse/sécheuse (eau et charge compris).
- Pour une installation dans un garage, placer la laveuse/sécheuse au moins 18" (460 mm) au-dessus du plancher. En cas d'utilisation d'un piédestal, il faudra 18" (460 mm) jusqu'au bas de la laveuse/sécheuse.

**IMPORTANT :** Ne pas installer, remiser ou faire fonctionner la laveuse/sécheuse à un emplacement où elle sera exposée aux intempéries ou à des températures inférieures à 32 °F (0 °C). De l'eau restée dans la laveuse/sécheuse après utilisation peut causer des dommages à basse température. Voir "Entretien de la laveuse" pour plus d'informations sur l'hivernisation.



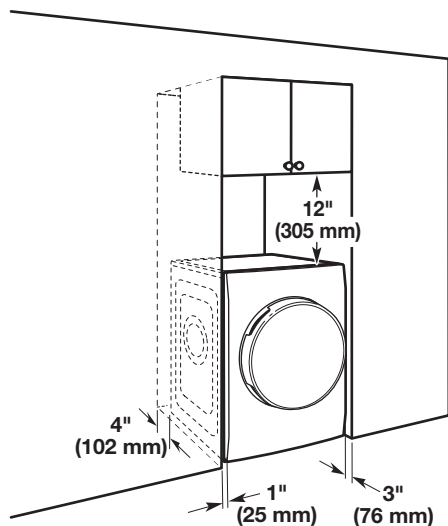
Les dimensions représentent les dégagements recommandés permis, hormis pour les ouvertures de ventilation de la porte du placard qui correspondent aux dimensions minimales nécessaires.

Pour chaque type de configuration, prévoir davantage de dégagement pour faciliter l'installation et l'entretien : laisser suffisamment de dégagement pour les appareils ménagers voisins et pour les murs, les portes et les plinthes.

L'espacement doit être assez grand pour permettre d'ouvrir complètement la porte. Ajouter un espace supplémentaire de 1" (25 mm) de tous les côtés de la laveuse/sécheuse pour réduire le transfert de bruit. Si l'on installe une porte de placard ou une porte à persiennes, des ouvertures d'aération au sommet et au bas de la porte sont nécessaires.

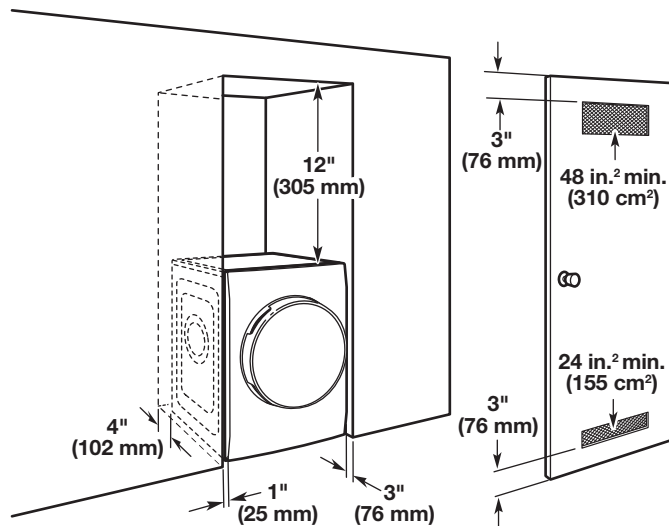
## Exigences d'emplacement (suite)

Installation dans un placard personnalisée :



**REMARQUE :** Un espace minimum de 12" au-dessus de la laveuse/sécheuse est requis pour utiliser le distributeur Load & Go.™

Installation dans un placard :



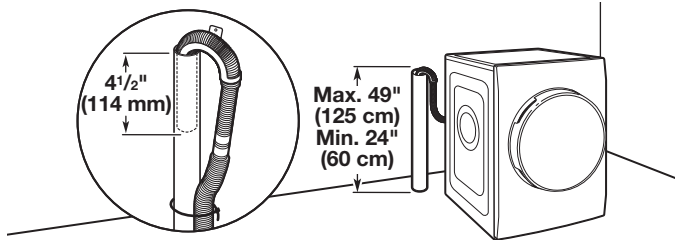
**REMARQUE :** Un espace minimum de 12" au-dessus de la laveuse/sécheuse est requis pour utiliser le distributeur Load & Go.™

## Système de vidange

Le système de vidange peut être installé à l'aide d'un avaloir sol, un tuyau rigide de rejet à l'égout mural, un tuyau rigide de rejet à l'égout au sol ou un évier de buanderie. Sélectionner la méthode à utiliser.

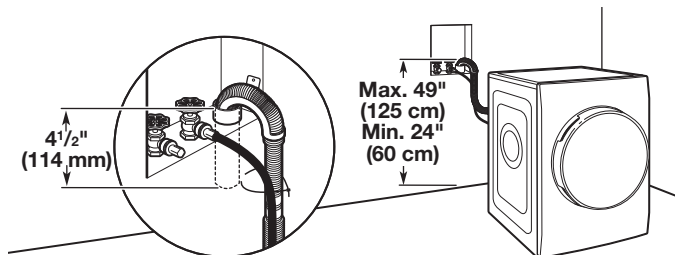
**IMPORTANT :** Pour éviter un effet de siphon, pas plus de 4 1/2" (114 mm) de tuyau de vidange ne devrait être inséré à l'intérieur de la canalisation d'évacuation. Toujours immobiliser le tuyau de vidange avec un serre-câble.

### Système de vidange avec tuyau de rejet à l'égout au plancher



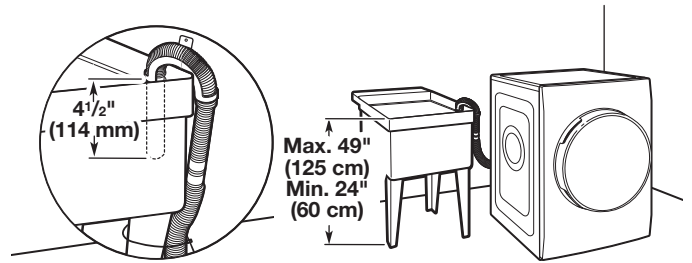
Diamètre minimal pour un tuyau de rejet à l'égout : 2" (51 mm). Capacité minimale d'écoulement : 17 gal. (64 L) par minute. Un ensemble d'adaptateur de tuyau rigide de rejet à l'égout de 2" (51 mm) à 1" (25 mm) de diamètre est disponible. Le sommet du tuyau de rejet à l'égout doit avoir une hauteur d'au moins 24" (60 cm); ne pas l'installer à plus de 49" (125 cm) du bas de la laveuse/sécheuse. Si une canalisation de drain au-dessus de la tête est utilisée et que l'eau doit être pompée à une hauteur supérieure à 96," une pompe de vidange et sa quincaillerie sont requises. Voir "Assistance ou service."

### Système de vidange avec tuyau de rejet à l'égout mural



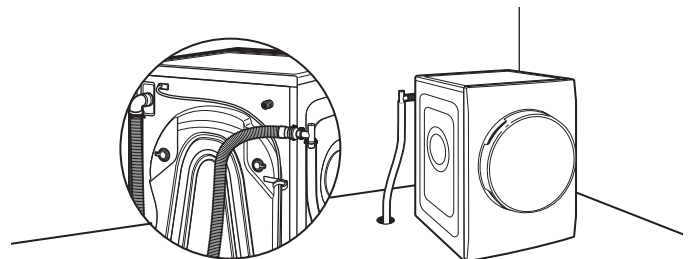
Voir les exigences pour le système de vidange avec tuyau de rejet à l'égout au plancher.

### Système de vidange dans un évier de buanderie



Capacité minimale : 20 gal. (76 L). Le sommet de l'évier de buanderie doit se trouver à au moins 24" (60 cm) du plancher; ne pas l'installer à plus de 49" (125 cm) du fond de la laveuse/sécheuse.

### Système de vidange au plancher



Le système de vidange au plancher nécessite un ensemble de brise-siphon, deux ensembles de raccordement et une rallonge de tuyau de vidange qui peuvent être achetés séparément. Voir "Assistance ou service." Le brise-siphon doit être à au moins 28" (710 mm) du bas de la laveuse/sécheuse (des tuyaux supplémentaires peuvent être requis).

# Déballage de la laveuse/sécheuse

## **⚠ AVERTISSEMENT**

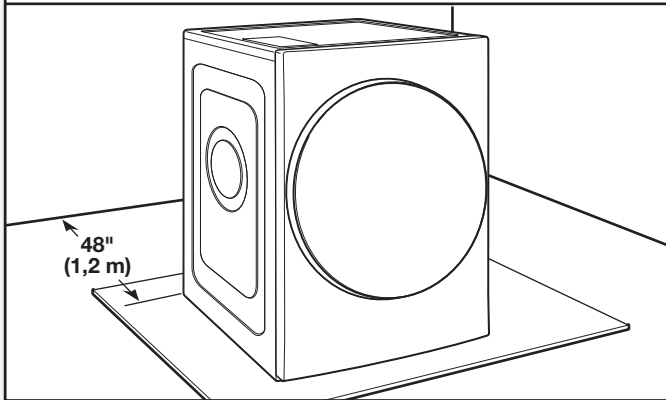
Risque du poids excessif

Utiliser deux ou plus de personnes pour déplacer et installer la laveuse/sécheuse.

Le non-respect de cette instruction peut causer une blessure au dos ou d'autre blessure.

**REMARQUE :** Pour éviter d'endommager le plancher, installer la laveuse/sécheuse sur un carton avant de la déplacer.

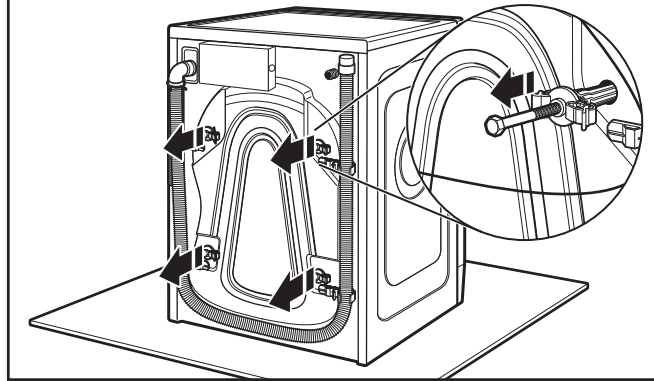
## **1. Déplacer la laveuse/sécheuse**



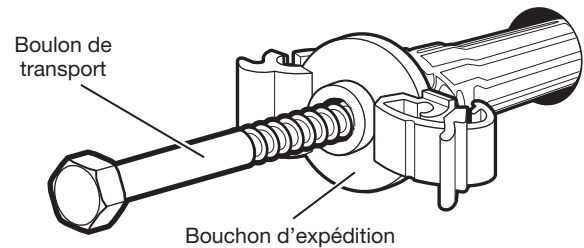
**IMPORTANT :** Il est nécessaire de retirer tout le matériel d'expédition pour un fonctionnement correct et pour éviter que la laveuse/sécheuse ne fasse trop de bruit.

Déplacer la laveuse/sécheuse à moins de 48" (1,2 m) de son emplacement final. Elle doit être en position complètement verticale.

## **2. Retirer quatre boulons de transport de la laveuse/sécheuse**



Desserrer les quatre boulons avec une clé à molette de 3/8" (10 mm). Une fois chacun des boulons desserrés, les retirer complètement de la laveuse/sécheuse en même temps que les quatre bouchons d'expédition.



**IMPORTANT :** Il est nécessaire de retirer les boulons de transport et les bouchons d'expédition pour un fonctionnement correct et pour éviter que la laveuse/sécheuse ne fasse trop de bruit.

## Spécifications électriques

### **AVERTISSEMENT**



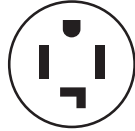
#### Risque de choc électrique

**Brancher sur une prise à 4 alvéoles reliée à la terre.**

**Le non-respect de cette instruction peut causer un décès ou un choc électrique.**

### **C'est à l'utilisateur qu'incombe la responsabilité de :**

- Contacter un électricien qualifié.
- S'assurer que le raccordement électrique est adéquat et conforme à la dernière édition du Canadian Electrical Code, C22.1, et à tous les codes et règlements locaux en vigueur. Pour obtenir un exemplaire des normes des codes ci-dessus, contacter : Canadian Standards Association, 178 Rexdale Blvd., Toronto, ON M9W 1R3 CANADA.
- L'appareil doit être alimenté uniquement par un circuit monophasé de 120/240 V, CA uniquement, 60 Hz à 4 fils, sur un circuit séparé de 30 ampères, protégé par fusible aux deux extrémités de la ligne. Il est recommandé d'utiliser un fusible ou un disjoncteur temporisé. On recommande également que cet appareil soit alimenté par un circuit indépendant.
- Cette laveuse/sécheuse est équipée d'un cordon électrique homologué par la CSA International à introduire dans une prise murale standard 14-30R. Le cordon mesure 5 pi (1,5 m). Veiller à ce que la prise murale se trouve à proximité de l'emplacement définitif de la laveuse/sécheuse.
- Ne pas utiliser de rallonge.



Prise murale à 4 fils (14-30R)

Si on utilise un cordon d'alimentation de rechange, il est recommandé d'utiliser le cordon d'alimentation de rechange numéro de pièce 8579325. Pour plus d'informations, consulter la section "Assistance ou service."

### **INSTRUCTIONS DE LIAISON À LA TERRE**

- Pour une laveuse/sécheuse reliée à la terre et connectée par un cordon :

Cette laveuse/sécheuse doit être reliée à la terre. En cas de mauvais fonctionnement ou de panne, la liaison à la terre réduira le risque de choc électrique en offrant au courant électrique un acheminement d'évacuation de moindre résistance. Cette laveuse/sécheuse est alimentée par un cordon électrique comportant un conducteur relié à la terre et une fiche de branchement munie d'une broche de liaison à la terre. La fiche doit être branchée sur une prise appropriée qui est bien installée et reliée à la terre conformément à tous les codes et règlements locaux.

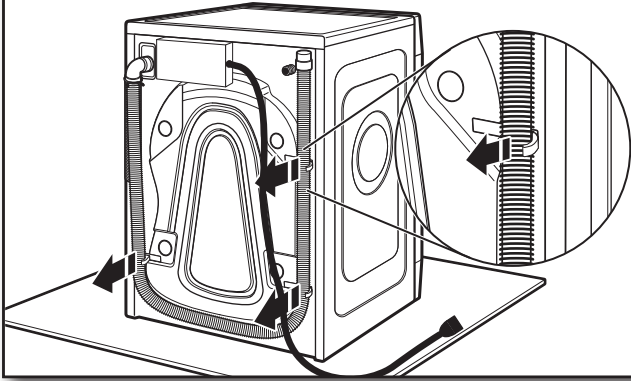
**AVERTISSEMENT :** Le raccordement incorrect de cet appareil au conducteur de liaison à la terre peut susciter un risque de choc électrique. En cas de doute quant à la qualité de liaison à la terre de la laveuse/sécheuse, consulter un électricien ou un technicien ou un personnel qualifié. Ne pas modifier la fiche de branchement fournie avec la laveuse/sécheuse; si la fiche ne correspond pas à la configuration de la prise de courant, demander à un électricien qualifié d'installer une prise de courant appropriée.

### **CONSERVEZ CES INSTRUCTIONS**

## Acheminer le tuyau de vidange

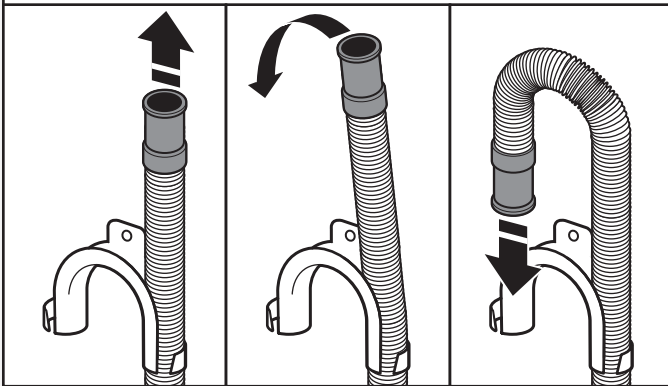
Le bon acheminement du tuyau de vidange protège vos planchers contre les dommages liés à une fuite d'eau. Lire et suivre ces instructions.

### 1. Retirer le tuyau de vidange de la laveuse/sécheuse



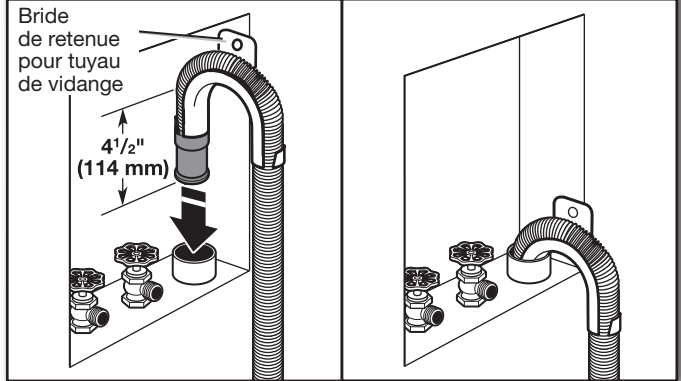
Tirer doucement pour dégager le tuyau de vidange en matériau ondulé des agrafes d'arrimage.

### 2. Raccorder la bride de retenue du tuyau de vidange de l'évier de buanderie ou du tuyau rigide de rejet à l'égout (installations de vidange avec tuyau de rejet à l'égout au plancher, tuyau de rejet à l'égout mural ou un évier de buanderie uniquement)



Pour les installations de vidange avec tuyau de rejet à l'égout au plancher, tuyau de rejet à l'égout mural ou un évier de buanderie, il faut connecter la bride de retenue pour tuyau de vidange à l'extrémité du tuyau de vidange. Des pièces supplémentaires avec des directives distinctes seront peut-être nécessaires. Voir "Assistance ou service."

### 3. Placer le tuyau de vidange dans le tuyau de rejet à l'égout



Placer le tuyau dans le tuyau de rejet à l'égout (illustré à l'image) ou par-dessus le côté de l'évier de buanderie.

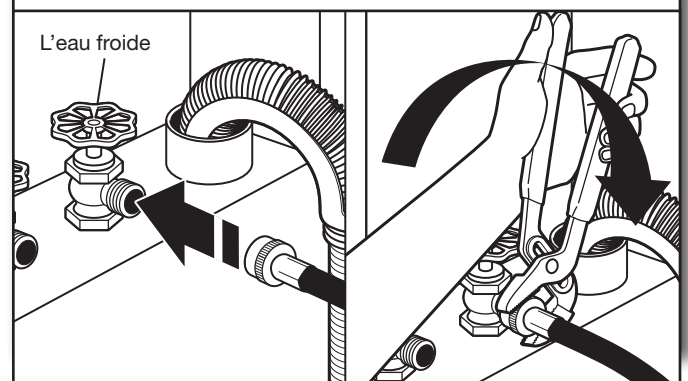
**IMPORTANT :** Il ne doit pas y avoir plus de 4 1/2" (114 mm) de tuyau de vidange à l'intérieur du tuyau de rejet à l'égout; ne pas forcer l'excédent de tuyau dans le tuyau de rejet à l'égout ni le placer dans l'évier de buanderie. On doit utiliser la bride de retenue pour tuyau de vidange.

## Raccorder le tuyau d'arrivée

La laveuse/sécheuse doit être raccordée au robinet d'eau froide à l'aide du tuyau d'arrivée d'eau et d'une rondelle neuf. Ne pas utiliser du tuyau usagé.

**REMARQUE :** Le tuyau doit être fixé et l'eau doit pénétrer dans la valve d'arrivée.

### 1. Raccorder le tuyau d'arrivée d'eau au robinet



Fixer le tuyau au robinet d'eau froide. Visser le raccord à la main pour qu'il repose sur la rondelle. Serrer les raccords de deux tiers de tour supplémentaires à l'aide d'une pince.

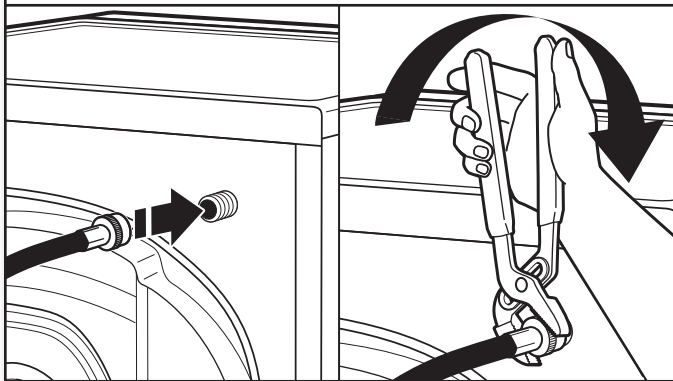
**IMPORTANT :** Ne pas serrer excessivement ni utiliser de ruban adhésif ou de dispositifs d'étanchéité sur la valve lors de la fixation du robinet ou de la laveuse/sécheuse. Cela pourrait entraîner des dommages.

## 2. Purger la canalisation d'eau



Faire couler de l'eau dans le tuyau de l'évier de buanderie, le tuyau rigide de rejet à l'égout ou le seau pendant quelques secondes pour éviter toute obstruction. On doit laisser couler l'eau jusqu'à ce qu'elle soit limpide.

## 3. Connecter le tuyau d'arrivée d'eau à la laveuse/sécheuse

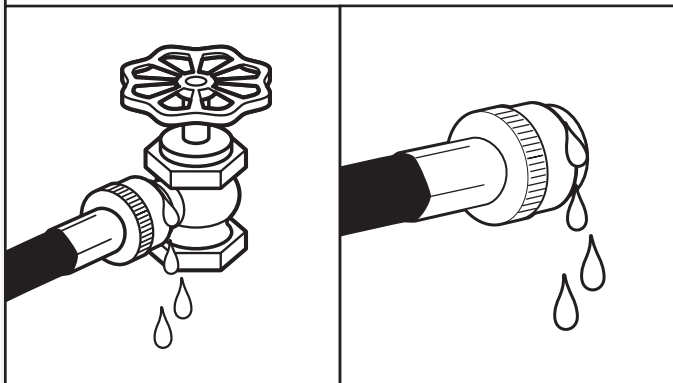


Fixer le tuyau d'eau à la valve d'arrivée d'eau. Visser le raccord à la main jusqu'à ce qu'il soit bien serré. Serrer les raccords de deux tiers de tour supplémentaires à l'aide d'une pince.

**IMPORTANT :** Pour réduire le risque de défaillance du tuyau, remplacer le tuyau tous les 5 ans. Inscire la date d'installation ou de remplacement du tuyau pour référence ultérieure.

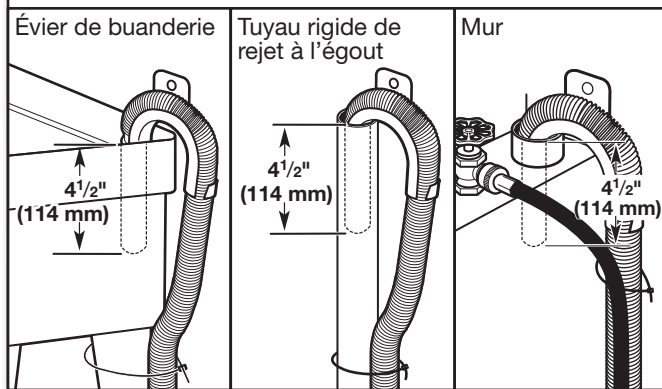
- Inspecter périodiquement le tuyau; remplacer en cas de renflement, de déformation, de coupure et d'usure ou de fuite.

## 4. Recherche de fuites



Ouvrir lentement le robinet d'eau et vérifier l'absence de fuites. Une petite quantité d'eau peut entrer dans la laveuse/sécheuse. Elle s'évacuera plus tard.

## 5. Fixer le tuyau de vidange

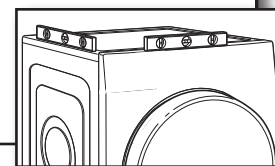
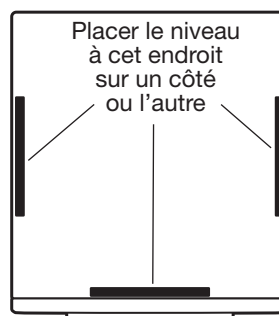


Fixer le tuyau de vidange avec le serre-câble au pied de l'évier de buanderie, au tuyau rigide de rejet à l'égout ou au tuyau d'arrivée d'eau pour le tuyau de rejet à l'égout mural rigide.

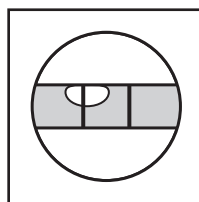
## Réglage de l'aplomb de la laveuse/sécheuse

L'établissement correct de l'aplomb de la laveuse/sécheuse permet de réduire un niveau sonore et des vibrations excessifs.

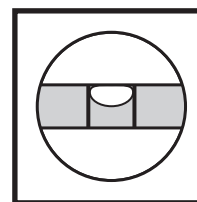
### 1. Vérifier le bon aplomb de la laveuse/sécheuse



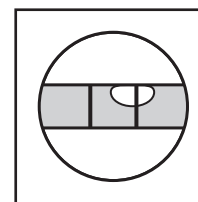
Enlever le morceau de carton placé sous la laveuse/sécheuse. Placer un niveau sur les bords supérieurs de la laveuse/sécheuse en contrôlant chaque côté et l'avant. Si elle n'est pas d'aplomb, faire basculer la laveuse/sécheuse et régler les pieds vers le haut ou vers le bas tel qu'indiqué dans les étapes 3 et 4, et recommencer si nécessaire.



N'est pas d'aplomb



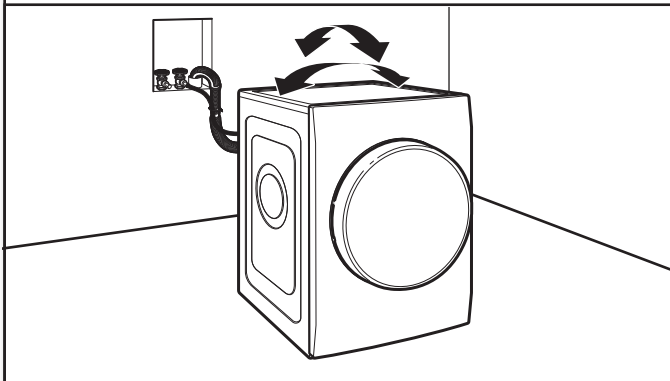
**D'APLOMB**



N'est pas d'aplomb

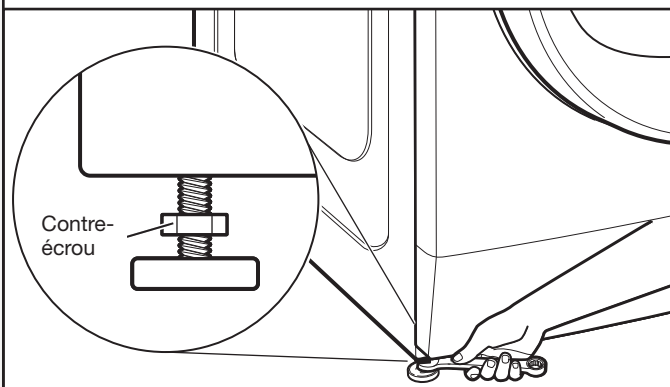


## 2. Faire basculer la laveuse/sécheuse pour tester la stabilité des pieds sur le plancher



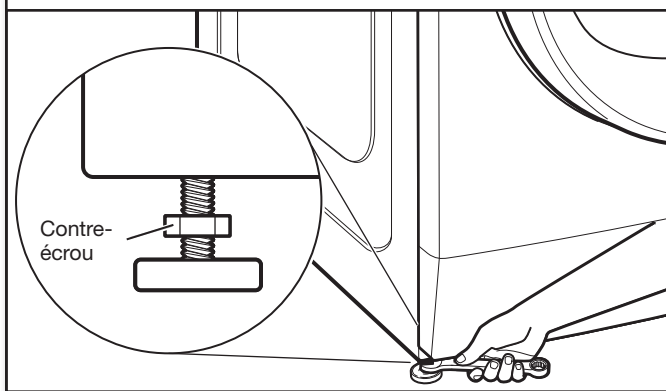
Saisir la laveuse/sécheuse par le dessus et la faire basculer d'avant en arrière tout en s'assurant que les quatre pieds sont en contact ferme avec le sol. Faire de nouveau basculer la laveuse/sécheuse, transversalement. Si la laveuse/sécheuse bascule, passer à l'étape 3 et ajuster les pieds de nivellement. Si les quatre pieds sont en contact ferme avec le sol, passer à "Brancher la laveuse/sécheuse."

## 3. Réglage des pieds de nivellement



Si la laveuse/sécheuse n'est pas d'aplomb, utiliser une clé plate ou une clé à molette de 1/2" (13 mm) pour tourner les contre-écrous dans le sens horaire jusqu'à ce qu'ils se trouvent à environ 1/2" (13 mm) de la caisse de la laveuse/sécheuse. Tourner ensuite le pied de nivellement dans le sens horaire pour abaisser la laveuse/sécheuse ou antihoraire pour la soulever. Contrôler à nouveau l'aplomb de la laveuse/sécheuse et vérifier que les quatre pieds sont en contact ferme avec le sol. Répéter si nécessaire.

## 4. Serrer les pieds de nivellement



Après que l'aplomb de la laveuse/sécheuse a été établi et que les quatre pieds sont en contact ferme avec le sol, tourner les contre-écrous dans le sens antihoraire sur les pieds de nivellement à l'aide d'une clé plate ou d'une clé à molette de 1/2" (13 mm) jusqu'à ce qu'ils soient bien serrés contre la caisse de la laveuse/sécheuse.

## Brancher la laveuse/sécheuse

### **⚠ AVERTISSEMENT**

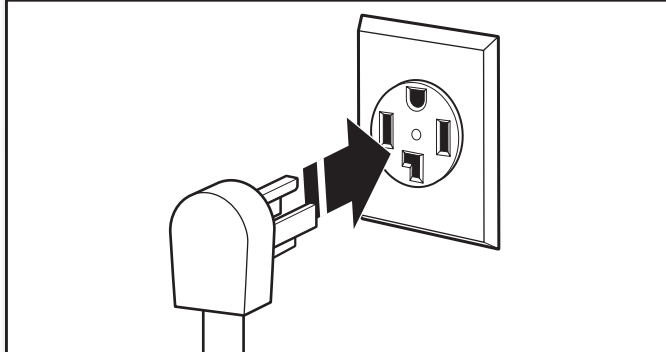


**Risque de choc électrique**

**Brancher sur une prise à 4 alvéoles reliée à la terre.**

**Le non-respect de cette instruction peut causer un décès ou un choc électrique.**

## 1. Brancher sur une prise à 4 alvéoles reliée à la terre



## Liste de vérification pour installation terminée

- Consulter les spécifications électriques. S'assurer de disposer d'une source d'électricité appropriée, et d'une liaison à la terre conforme à la méthode recommandée.
- Vérifier que la laveuse/sécheuse est branchée sur une prise de courant à 4 alvéoles reliée à la terre.
- Vérifier que toutes les pièces sont maintenant installées. S'il reste une pièce, passer en revue les différentes étapes pour découvrir laquelle aurait été oubliée.
- Vérifier que la laveuse/sécheuse est d'aplomb.
- Vérifier la présence de tous les outils.
- Jeter/recycler tous les matériaux d'emballage.
- Ôter tout ruban adhésif resté sur la laveuse/sécheuse.
- Vérifier que les boulons pour le transport ont été complètement enlevés de l'arrière de la laveuse/sécheuse.
- Vérifier que le tuyau d'arrivée d'eau est bien fixé et que le robinet d'eau est ouvert.
- Vérifier s'il y a des fuites autour du robinet, valve d'arrivée d'eau et tuyau d'arrivée d'eau.
- Voir "Utilisation de la laveuse/sécheuse combinée."
- Pour tester et nettoyer votre laveuse/sécheuse, allumer la laveuse et choisir le programme Regular/Quick (normal/rapide) et la faire fonctionner sans vêtements. Utiliser uniquement un détergent HE. Utiliser la moitié de la quantité recommandée par le fabricant pour une charge de taille moyenne.
- Connecter votre laveuse et sècheuse intelligente combinées avec votre appareil mobile à [www.whirlpool.ca/en\\_ca.html](http://www.whirlpool.ca/en_ca.html).



## Guide de connexion Internet

### Obtenir l'application et connectez-vous

À l'aide de votre appareil mobile, obtenir l'application, les instructions de configuration de la connexion, les conditions d'utilisation et la politique de confidentialité au :

[www.whirlpool.ca/fr\\_ca.html](http://www.whirlpool.ca/fr_ca.html)

et cliquer sur le lien Whirlpool® électroménager connecté.

**IMPORTANT** : Il est de la responsabilité de l'utilisateur de bien installer l'appareil avant de l'utiliser. Bien lire et suivre les Instructions d'installation accompagnant l'appareil.

La connexion requiert un lien Internet et la création d'un compte. Les fonctions de l'application peuvent changer. Des frais de transfert de données peuvent s'appliquer. En cas de problèmes ou pour toute question, communiquer avec l'équipe Whirlpool Corporation Connected Appliances au **1 866 333-4591**.

Il vous faudra :



- Un routeur sans fil compatible Wi-Fi à 2,4 GHz, avec sécurité WPA2. Pour vérifier les capacités de votre routeur, consulter le manuel d'instructions du fabricant du routeur.
- Le routeur devra être en marche et connecté à Internet.
- Le numéro Smart Appliance ID (SAID) à 10 caractères de votre appareil. Le numéro SAID est imprimé sur une étiquette collée sur l'appareil ou peut être affiché à l'écran ACL. Consulter le Guide d'utilisation et d'entretien.

Une fois installée, lancer l'application. Suivre les étapes de configuration du compte d'utilisateur et de connexion de l'appareil. En cas de problèmes ou pour toute question, communiquer avec l'équipe Whirlpool Corporation Connected Appliances au **1 866 333-4591**.

# DÉPANNAGE

Essayer d'abord les solutions suggérées ici ou consulter le site Web [www.whirlpool.ca/owners](http://www.whirlpool.ca/owners) pour obtenir de l'aide et pour éviter une intervention de réparation.

Si les phénomènes suivants se produisent	Causes possibles	Solution
<b>Vibrations ou déséquilibre</b>		
Vibrations, balancement ou effet de "marche" de la machine	Les pieds ne sont peut-être pas en contact avec le plancher ou verrouillés.	Les pieds avant et arrière doivent être en contact ferme avec le plancher et la laveuse/sécheuse doit être d'aplomb pour fonctionner correctement. Les contre-écrous doivent être bien serrés contre le bas de la caisse.
	La laveuse/sécheuse n'est peut-être pas d'aplomb.	Vérifier que le plancher n'est pas incurvé ou qu'il ne s'affaisse pas. Ne pas installer la laveuse/sécheuse sur une plateforme surélevée en bois. Voir "Réglage de l'aplomb de la laveuse/sécheuse" dans Instructions d'installation.
	La charge est peut-être déséquilibrée ou de trop grande taille.	Éviter de tasser la charge. Éviter de laver un article seul. Compenser le poids d'un article seul tel qu'un tapis ou une veste en jeans par quelques articles supplémentaires pour équilibrer le tout. L'article ou la charge ne convient pas au programme sélectionné. Voir "Guides des programmes" et "Utilisation de la laveuse/sécheuse combinée."
	Les boulons d'expédition se trouvent toujours à l'arrière de la laveuse/sécheuse.	Voir "Déballage de la laveuse/sécheuse" dans les "Instructions d'installation."
<b>Bruits</b>		
Cliquetis ou bruits métalliques	Porte qui se verrouille ou se déverrouille.	La porte se verrouillera, se déverrouillera puis se verrouillera à nouveau. Quatre clics se font entendre après avoir appuyé sur le bouton de mise en marche/pause. Cela est normal.
	Des objets sont coincés dans le système de vidange de la lavage.	Vider les poches avant le lavage. Les articles mobiles tels des pièces de monnaie sont susceptibles de tomber entre le tambour et la cuve; ils peuvent aussi obstruer la pompe. Un appel pour intervention de dépannage s'avéra peut-être nécessaire pour retirer ces objets. Il est normal d'entendre des articles métalliques faisant partie des vêtements comme les boutons-pression métalliques, boucles ou fermetures à glissière toucher le tambour en acier inoxydable.
Gargouillements ou bourdonnements	La laveuse/sécheuse est peut-être en train d'évacuer de l'eau.	La pompe peut produire un bourdonnement accompagné de gargouillements ou de bruits de pompage périodiques lorsque les quantités d'eau restantes sont éliminées au cours des programmes d'essorage/de vidange. Ceci est normal pour certaines étapes du programme.
<b>Fuites d'eau</b>		
Vérifier ce qui suit pour que l'installation soit correcte	Le tuyau d'arrivée d'eau n'est pas solidement fixé.	Serrer le raccord du tuyau d'arrivée d'eau.
	Rondelle du tuyau d'arrivée d'eau.	Bien mettre en place la rondelle de tuyau d'arrivée d'eau.
	Raccord du tuyau de vidange.	Vérifier que le tuyau de vidange est bien fixé au tuyau de rejet à l'égoût ou à l'évier de buanderie.
	Le filtre de la pompe de vidange n'est pas correctement installé.	Vérifier que le filtre est bien placé dans son logement. Voir "Nettoyage du filtre de la pompe de vidange/vidange de l'eau résiduelle."
	Le filtre de la pompe de vidange est bouché/le bouchon du tuyau du filtre de la pompe de vidange est lâche ou absent.	Nettoyer le filtre de la pompe de vidange (voir "Nettoyage du filtre de la pompe de vidange/vidange de l'eau résiduelle"). S'assurer que le bouchon du tuyau du filtre de la pompe de vidange est bien placé. S'il est lâche, commander un bouchon de remplacement (voir "Assistance ou Service").
	Inspecter le circuit de plomberie du domicile pour vérifier qu'il n'y a pas de fuites ou que l'évier ou le tuyau de vidange n'est pas obstrué.	De l'eau pourrait refouler de l'évier ou du tuyau de rejet à l'égoût obstrué. Inspecter tout le circuit de plomberie du domicile (évier de buanderie, tuyau de vidange, conduites d'eau et robinets) pour vérifier qu'il n'y a aucune fuite.
	La grille (ou le bas de nylon) située au bout du tuyau de vidange est bouchée.	Retirer la grille ou le bas du tuyau de vidange.

# DÉPANNAGE

Essayer d'abord les solutions suggérées ici ou consulter le site Web [www.whirlpool.ca/owners](http://www.whirlpool.ca/owners) pour obtenir de l'aide et pour éviter une intervention de réparation.

Si les phénomènes suivants se produisent	Causes possibles	Solution
<b>Fuites d'eau (suite)</b>		
Eau ou mousse suintant par la porte ou par l'arrière de la caisse	Détergent HE non utilisé ou utilisation excessive de détergent HE.	Utiliser uniquement un détergent HE. La mousse produite par des détergents ordinaires peut causer des fuites au niveau de la porte ou de l'arrière de la caisse. Toujours mesurer la quantité de détergent et suivre les instructions du détergent en fonction des modalités de nettoyage de la charge.
Fuite autour de la porte	Des cheveux, de la charpie ou d'autres débris sur l'intérieur du hublot de la porte empêchent la fermeture étanche de la porte.	Nettoyer l'intérieur de la porte et le joint. Voir "Nettoyage du joint de la porte" dans la section "Entretien de la laveuse/sécheuse combinée."
<b>Programme de lavage ne fonctionne pas comme prévu</b>		
La charge n'est pas complètement submergée dans l'eau	Niveau d'eau non visible par la porte ou eau ne recouvrant pas les vêtements.	Ceci est normal pour la laveuse/sécheuse combinée. La laveuse/sécheuse détecte la taille de la charge et ajoute la bonne quantité d'eau pour un nettoyage optimal.
La laveuse/sécheuse ne fonctionne pas ou ne se remplit pas; elle cesse de fonctionner	Vérifier que l'alimentation en eau est adéquate.	Le tuyau doit être fixé et l'eau doit pénétrer dans la valve d'arrivée.
		Le robinet d'eau doit être ouvert.
		Vérifier que le tamis de la valve d'arrivée n'est pas obstrué.
		Vérifier que le tuyau d'arrivée d'eau n'est pas déformé; ceci peut réduire le débit.

## AVERTISSEMENT



### Risque de choc électrique

**Brancher sur une prise à 4 alvéoles reliée à la terre.**

**Le non-respect de cette instruction peut causer un décès ou un choc électrique.**

La laveuse/sécheuse ne fonctionne pas ou ne se remplit pas; elle cesse de fonctionner (suite)	Vérifier que l'alimentation électrique à la laveuse/sécheuse est correcte.	Brancher le cordon d'alimentation dans une prise à 4 alvéoles reliée à la terre.
		Ne pas utiliser de rallonge.
		Vérifier que la prise est alimentée.
		Ne pas brancher dans un DDFT (disjoncteur différentiel de fuite à la terre).
		Inspecter la source de courant électrique ou appeler un électricien pour inspecter si la tension est basse.
		Réarmer le disjoncteur déclenché. Remplacer tout fusible grillé.
		<b>REMARQUE</b> : Si le problème persiste, appeler un électricien.

# DÉPANNAGE

Essayer d'abord les solutions suggérées ici ou consulter le site Web [www.whirlpool.ca/owners](http://www.whirlpool.ca/owners) pour obtenir de l'aide et pour éviter une intervention de réparation.

Si les phénomènes suivants se produisent	Causes possibles	Solution
<b>Programme de lavage ne fonctionne pas comme prévu (suite)</b>		
La laveuse/sécheuse ne fonctionne pas ou ne se remplit pas; elle cesse de fonctionner (suite)	Fonctionnement normal de la laveuse/sécheuse.	La laveuse/sécheuse fait des pauses durant certaines phases du programme. Ne pas interrompre le programme.  La laveuse/sécheuse fait une pause d'environ 2 minutes au cours de certains programmes. Laisser le programme se poursuivre. Certains programmes comprennent des périodes de culbutage et de trempage.  On peut arrêter la laveuse/sécheuse pour réduire la production de mousse. Utiliser toujours la bonne quantité de détergent HE.
	La porte de la laveuse/sécheuse n'est pas bien fermée.	La porte doit être fermée lorsque la laveuse/sécheuse est en marche.
	Le distributeur Load & Go™ n'est pas bien placé dans la laveuse/sécheuse.	S'assurer que le distributeur Load & Go™ est bien placé dans la laveuse/sécheuse et que le couvercle du distributeur est correctement fermé.
	La laveuse/sécheuse n'a pas été chargée tel que recommandé.	Retirer plusieurs articles, répartir uniformément la charge dans le tambour de la laveuse/sécheuse. Fermer ensuite la porte et toucher le bouton START/PAUSE (mise en marche/pause).
		Ne pas ajouter plus d'un ou deux articles supplémentaires après que le programme ait commencé afin d'éviter un tassement excessif de la charge ou un déséquilibre. Il n'est plus possible d'ajouter des articles à partir d'un certain point du programme.
		Ne pas ajouter d'eau dans la laveuse/sécheuse.
	Détergent HE non utilisé ou utilisation excessive de détergent HE.	Utiliser uniquement un détergent HE. La mousse produite par des détergents ordinaires peut ralentir ou arrêter la laveuse/sécheuse. Toujours mesurer la quantité de détergent et suivre les instructions du détergent en fonction des modalités de nettoyage de la charge.
Pour éliminer la mousse, annuler le programme. Sélectionner Rinse & Spin (rinçage et essorage). Toucher le bouton START/PAUSE (mise en marche/pause). Ne pas ajouter de détergent.		
La laveuse/sécheuse s'arrête durant l'exécution d'un programme et un message s'affiche à l'écran	Le programme a été interrompu (par exemple en ouvrant la porte).	S'assurer que la porte est fermée. Toucher le bouton START/PAUSE (mise en marche/pause) pour reprendre le programme.
	Le système de sécurité a été activé. Un témoin de défaillance s'allume ou un code de défaillance s'affiche à l'écran.	Voir les codes d'erreurs situés à la fin de la section "Dépannage."
	Le robinet d'entrée d'eau est fermé.	S'assurer que le robinet d'entrée d'eau est ouvert et que le tuyau d'arrivée n'est pas déformé.

# DÉPANNAGE

Essayer d'abord les solutions suggérées ici ou consulter le site Web [www.whirlpool.ca/owners](http://www.whirlpool.ca/owners) pour obtenir de l'aide et pour éviter une intervention de réparation.

Si les phénomènes suivants se produisent	Causes possibles	Solution
<b>Programme de lavage ne fonctionne pas comme prévu (suite)</b>		
La laveuse/sécheuse ne se vidange pas/n'effectue pas d'essorage; les charges ressortent mouillées	Le tuyau de vidange se prolonge dans le tuyau rigide de rejet à l'égout au-delà de 4,5" (114 mm).	Vérifier que le tuyau de vidange est correctement installé. Utiliser la bride de retenue pour tuyau de vidange et la fixer solidement au tuyau rigide de rejet à l'égout ou à la cuve. Ne pas placer de ruban adhésif sur l'ouverture du système de vidange.
	Le tuyau de vidange est obstrué, ou l'extrémité du tuyau de vidange se trouve à plus de 49" (1,3 m) au-dessus du plancher.	Abaisser le tuyau de vidange si l'extrémité se trouve à plus de 49" (1,3 m) au-dessus du plancher. Retirer toute obstruction du tuyau de vidange. Voir la section "Exigences d'installation" dans les "Instructions d'installation."
	Grille ou bas de nylon situé au bout du tuyau de vidange.	Retirer la grille ou le bas du tuyau de vidange.
	Le tuyau de vidange est trop serré dans le tuyau rigide de rejet à l'égout, ou est fixé au tuyau rigide de rejet à l'égout avec du ruban adhésif.	Le tuyau de vidange doit être lâche mais bien fixé. Ne pas sceller le tuyau de vidange avec du ruban adhésif. Le tuyau a besoin d'une ouverture pour l'air. Voir "Acheminer le tuyau de vidange" dans les "Instructions d'installation."
	Utilisation des programmes comportant une vitesse d'essorage inférieure.	Les programmes avec vitesses d'essorage réduites éliminent moins d'eau que les programmes qui comportent des vitesses d'essorage supérieures. Utiliser le programme/la vitesse d'essorage recommandé(e) correspondant aux vêtements.
	La laveuse/sécheuse n'a pas été chargée tel que recommandé.	Des vêtements tassés ou une charge déséquilibrée empêchent la laveuse/sécheuse d'essorer correctement, ce qui laisse la charge plus mouillée qu'elle ne devrait l'être. Voir "Guide des programmes" pour consulter le volume de charge recommandé pour chaque programme.
	Une charge mal équilibrée a empêché le programme d'essorage de fonctionner pour ne pas endommager la laveuse/sécheuse.	Pour faire essorer des vêtements humides, ajouter d'autres articles de différentes tailles et démarrer un programme de Rinse & Spin (rinçage et d'essorage). Éviter de laver de petites charges constituées de quelques grands articles ou d'articles très absorbants. Laver des charges constituées d'articles de tailles diverses. Éviter de laver un article seul.
	Détergent HE non utilisé ou utilisation excessive de détergent HE.	Utiliser uniquement un détergent HE. Un excès de mousse causé par l'utilisation d'un détergent ordinaire ou d'un surplus de détergent peut ralentir ou arrêter la vidange ou l'essorage. Toujours mesurer le détergent et suivre les instructions du fabricant en fonction de la charge. Pour éliminer tout excès de mousse, sélectionner Rinse & Spin (rinçage et essorage). Ne pas ajouter de détergent.
	Des petits articles sont peut-être coincés dans la pompe ou entre le tambour et la partie externe de la cuve.	Inspecter le tambour pour vérifier qu'aucun article ne dépasse par les trous du tambour. Vider les poches et utiliser des sacs à linge pour laver les petits articles.
	Le filtre de la pompe de vidange est sale.	Nettoyer le filtre de la pompe de vidange. Voir la section "Nettoyage du filtre de la pompe de vidange/vidange de l'eau résiduelle."

# DÉPANNAGE

Essayer d'abord les solutions suggérées ici ou consulter le site Web [www.whirlpool.ca/owners](http://www.whirlpool.ca/owners) pour obtenir de l'aide et pour éviter une intervention de réparation.

Si les phénomènes suivants se produisent	Causes possibles	Solution
<b>Programme de lavage ne fonctionne pas comme prévu (suite)</b>		
Porte verrouillée à la fin du programme de lavage	Il reste de l'eau dans la laveuse/sécheuse après le programme.	Sélectionner Drain (vidange) pour retirer l'eau restée dans la laveuse/sécheuse. La porte se déverrouille à la fin de la vidange.
	L'option Tumble Fresh™ est activée.	Lorsque cette option est activée, la charge est culbutée de façon périodique pendant un maximum de 12 heures. La porte est verrouillée durant cette période. Pour déverrouiller la porte, annuler l'option Tumble Fresh™ en touchant le "X" situé à droite du temps restant estimé affiché à l'écran tactile.
La porte ne se déverrouille pas	Code d'erreur affiché.	Le mode défaillance entraîne le verrouillage de la porte. Toucher le bouton START/PAUSE (mise en marche/pause) pour sortir et attendre que la porte se déverrouille.
	La température de l'eau est supérieure à 104 °F (40 °C).	Attendre que la température de l'eau baisse.
	Le mécanisme de verrouillage de la porte ne fonctionne pas bien.	Effectuer la procédure "Comment ouvrir manuellement la porte," page 87.
Températures de lavage incorrectes	Vérifier que l'alimentation en eau est adéquate. Tuyau d'arrivée d'eau branché à l'alimentation en eau chaude.	Le tuyau d'arrivée doit être raccordé à la fois à la laveuse/sécheuse et au robinet d'eau froide, et la valve d'arrivée doit recevoir de l'eau.
		Vérifier que le tamis du valve d'arrivée n'est pas obstrué.
		Éliminer toute déformation du tuyau.
Charge non rincée	Vérifier que l'alimentation en eau est adéquate.	Le tuyau d'arrivée doit être raccordé à la fois à la laveuse/sécheuse et au robinet d'eau froide, et la valve d'arrivée doit recevoir de l'eau.
		Le robinet d'eau froide doit être ouvert.
		Le tamis de la valve d'arrivée d'eau de la laveuse/sécheuse est peut-être obstrué.
		Éliminer toute déformation du tuyau d'arrivée.
	Détergent HE non utilisé ou utilisation excessive de détergent HE.	La mousse produite par un détergent ordinaire peut empêcher la laveuse de fonctionner correctement.
	Utiliser uniquement un détergent HE. Toujours mesurer le détergent et suivre les instructions du fabricant en fonction de la taille et du niveau de saleté de la charge.	

# DÉPANNAGE

Essayer d'abord les solutions suggérées ici ou consulter le site Web [www.whirlpool.ca/owners](http://www.whirlpool.ca/owners) pour obtenir de l'aide et pour éviter une intervention de réparation.

Si les phénomènes suivants se produisent	Causes possibles	Solution
<b>Programme de lavage ne fonctionne pas comme prévu (suite)</b>		
Charge non rincée (suite)	La laveuse/sécheuse n'a pas été chargée tel que recommandé.	Éviter un tassement excessif de la laveuse/sécheuse. La laveuse/sécheuse ne rincera pas bien si les vêtements sont tassés. Charger la laveuse/sécheuse uniquement avec des articles secs. Voir "Guides des programmes" pour consulter le volume de charge recommandé pour chaque programme. Utiliser le programme conçu pour les tissus à laver. Si l'on souhaite ajouter des vêtements une fois que la laveuse/sécheuse a démarré, n'en rajouter qu'un ou deux.
	La charge est peut-être déséquilibrée.	En cas de déséquilibre de la charge, un processus de lavage est lancé pour répartir à nouveau la charge. Ceci peut rallonger le programme. Éviter de laver un article seul. Compenser le poids d'un article seul tel qu'un tapis ou une veste en jeans par quelques articles supplémentaires pour équilibrer le tout.
	La charge a besoin de rinçages supplémentaires.	La majorité des programmes permettent d'ajouter des rinçages. Consulter le "Guide des programmes" et l'étape 10 de la page 59 pour connaître les options de rinçage supplémentaire.
La charge est froissée, entortillée ou enchevêtrée	La laveuse/sécheuse n'a pas été chargée tel que recommandé.	Ajouter les vêtements sans les tasser. Les articles doivent pouvoir se déplacer librement pour réduire le froissement et l'emmêlement. Voir "Guides des programmes" pour consulter le volume de charge recommandé pour chaque programme. Réduire l'emmêlement en mêlant plusieurs types d'articles dans la charge. Utiliser le programme recommandé correspondant aux types de vêtements à laver.
	La vitesse d'essorage trop rapide pour la charge.	Sélectionner une vitesse d'essorage plus basse. Notons que les articles seront plus mouillés que si l'on utilise une vitesse d'essorage supérieure.
	Les vêtements n'ont pas été retirés rapidement.	Décharger la laveuse/sécheuse dès qu'elle s'arrête ou utiliser l'option Tumble Fresh™ si l'on n'est pas en mesure de décharger la laveuse dès la fin du programme.
	Le programme choisi ne correspond pas au programme qui doit être utilisé pour la charge de lavage.	Utiliser le programme de quels articles "Delicates" (articles délicats) ou un autre programme avec essorage à basse vitesse pour réduire le froissement.
Ne nettoie ou ne détache pas	La laveuse n'a pas été chargée tel que recommandé.	Ajouter les vêtements sans les tasser. Les articles doivent pouvoir se déplacer librement pour un nettoyage idéal. Voir "Guides des programmes" pour consulter le volume de charge recommandé pour chaque programme. Si l'on souhaite ajouter des vêtements une fois que la laveuse/sécheuse a démarré, n'en rajouter qu'un ou deux.
	Détergent HE non utilisé ou utilisation excessive de détergent HE.	Utiliser uniquement un détergent HE. Toujours mesurer le détergent et suivre les instructions du fabricant en fonction de la taille et du niveau de saleté de la charge.
	Eau dure ou niveau élevé de fer (rouille) dans l'eau.	Il faut peut-être installer un adoucisseur d'eau et/ou un filtre à fer.
	Une boule distributrice d'assouplissant pour tissu a été utilisée.	Les boules distributrices ne fonctionnent pas correctement avec cette laveuse/sécheuse. Verser un assouplissant de tissu liquide dans le distributeur Load & Go™ (distributeur 2).
	Du détergent en poudre a été utilisé pour le programme à basse vitesse.	Envisager l'utilisation d'un détergent liquide.



# DÉPANNAGE

Essayer d'abord les solutions suggérées ici ou consulter le site Web [www.whirlpool.ca/owners](http://www.whirlpool.ca/owners) pour obtenir de l'aide et pour éviter une intervention de réparation.

Si les phénomènes suivants se produisent	Causes possibles	Solution
<b>Programme de lavage ne fonctionne pas comme prévu (suite)</b>		
Ne nettoie ou ne détache pas (suite)	Programme utilisé incorrect par rapport au type de tissu.	Utiliser une température de lavage plus chaude pour améliorer le nettoyage.
		Si l'on utilise une sélection du programme "What to Wash" (articles à laver) avec la sélection du programme "How to Wash" (méthode de lavage) Quick (rapide), ne laver que quelques articles.
		Utiliser la sélection du programme "How to Wash" (méthode de lavage) Heavy Duty (service intense) pour un nettoyage puissant.
	Ajouter un rinçage supplémentaire pour les charges très sales.	
Les distributeurs ne sont pas utilisés/distributeurs non chargés correctement.	Utiliser les distributeurs pour éviter que l'assouplissant de tissu ne tachent les vêtements.	S'assurer que le distributeur de détergent liquide Load & Go™ n'est pas vide.
		Éviter de les remplir excessivement.
		Ne pas verser de produits autres que ceux spécifiés directement sur la charge.
Les couleurs similaires ne sont pas lavées ensemble.	Laver ensemble les couleurs semblables et les retirer rapidement une fois le programme terminé pour éviter tout transfert de teinture.	
Odeurs	L'entretien mensuel n'est pas effectué tel que recommandé.	Faire fonctionner le programme Clean Washer With affresh® (nettoyage de la laveuse avec affresh®) une fois par mois ou chaque série de 30 lavages. Voir "Entretien de la laveuse/sécheuse" dans la section "Entretien de la laveuse/sécheuse combinée."
		Décharger la laveuse/sécheuse dès que le programme est terminé. Utiliser l'option Tumble Fresh™ si l'on ne peut pas retirer immédiatement la charge une fois le lavage terminé.
	Détergent HE non utilisé ou utilisation excessive de détergent HE.	Utiliser uniquement un détergent HE. Veiller à mesurer correctement. Toujours suivre les directives du fabricant.
	La porte n'est pas restée ouverte après utilisation.	Voir la section "Utilisation de la laveuse/sécheuse combinée."
Tissu endommagé	Des objets pointus se trouvaient dans les poches au moment du programme de lavage.	Cette laveuse/sécheuse dispose d'une fermeture étanche pour éviter les fuites d'eau. Pour éviter la formation d'odeurs, laisser la porte ouverte afin de permettre à la laveuse/sécheuse de sécher entre deux utilisations.
	Les cordons et les ceintures se sont peut-être emmêlés.	Vider les poches, fermer les fermetures à glissière, les boutons pression et les agrafes avant le lavage pour éviter d'accrocher et de déchirer le linge.
	Les articles étaient peut-être endommagés avant le lavage.	Attacher tous les cordons et les ceintures avant de démarrer le nettoyage de la charge.
	Les tissus peuvent subir des dommages si l'on tasse le linge dans la laveuse/sécheuse.	Raccommoder les déchirures et repriser les fils cassés des coutures avant le lavage.
		Éviter de tasser le linge dans la laveuse/sécheuse. Charger la laveuse/sécheuse uniquement avec des articles secs.
	Les tissus peuvent être endommagés si la porte de la laveuse/sécheuse est fermée sur un article, le coinçant entre le hublot de la porte et le joint en caoutchouc.	Utiliser le programme conçu pour les tissus à laver.
Si l'on souhaite ajouter des vêtements une fois que la laveuse/sécheuse a démarré, n'en rajouter qu'un ou deux.		
	Ne pas faire remplir excessivement la laveuse/sécheuse.	
	Pousser entièrement la charge à laver dans la laveuse/sécheuse.	

# DÉPANNAGE

Essayer d'abord les solutions suggérées ici ou consulter le site Web [www.whirlpool.ca/owners](http://www.whirlpool.ca/owners) pour obtenir de l'aide et pour éviter une intervention de réparation.

Si les phénomènes suivants se produisent	Causes possibles	Solution
<b>Programme de lavage ne fonctionne pas comme prévu (suite)</b>		
Blancs grisâtres, couleurs défraîchies	La charge n'a pas été correctement triée.	Le transfert de teinture peut se produire lors du mélange d'articles blancs et de couleur dans une même charge. Séparer les articles de teinte foncée des articles blancs ou clairs.
	Les températures de lavage sont trop basses.	Utiliser des températures à l'eau chaude ou tiède si cela est sans danger pour la charge.
	Quantité de détergent utilisée insuffisante ou eau dure.	Utiliser plus de détergent pour laver des articles très sales à l'eau froide ou dure.
Fonctionnement incorrect du distributeur	Distributeurs obstrués ou produits de lessive distribués trop tôt.	Ne pas remplir excessivement le distributeur.
		Vérifier le distributeur Load & Go™ avant de démarrer un programme.
Le sachet de lessive à dose unique ne se dissout pas	Sachet de lessive mal utilisé.	Veiller à ajouter le sachet de lessive dans le tambour de la laveuse/sécheuse avant d'ajouter les vêtements. Suivre les instructions du fabricant pour éviter d'endommager les vêtements.
	La laveuse/sécheuse n'a pas été chargée tel que recommandé (les vêtements sont tassés dans la laveuse/sécheuse).	Réduire la taille de la charge pour permettre au sachet de lessive à dose unique de se dissoudre.
La durée du programme varie ou la durée du programme est trop longue	Fonctionnement normal de la laveuse/sécheuse.	Les durées de programme varient automatiquement en fonction de la pression et de la température de l'eau, du détergent et de la charge de vêtements. Les options sélectionnées affectent aussi les durées de programme.
	Il y a trop de mousse dans la laveuse/sécheuse.	Lorsqu'un excès de mousse est détecté, une procédure spéciale contre la mousse se met en marche automatiquement pour éliminer l'excès de mousse et assurer un rinçage efficace pour les vêtements. Cette procédure prolonge la durée initiale du programme.
	La charge est peut-être déséquilibrée.	En cas de déséquilibre de la charge, un processus de lavage est lancé pour répartir à nouveau la charge. Ceci prolonge la durée du programme. Éviter de laver un article seul. Compenser le poids d'un article seul tel qu'un tapis ou une veste en jeans par quelques articles supplémentaires pour équilibrer le tout.
	Programme utilisé incorrect par rapport au type de tissu.	
En cas d'utilisation d'une sélection du programme "What to Wash" (articles à laver) avec une sélection du programme "How to Wash" (méthode de lavage) Quick (rapide) ou Delicates (articles délicats), il faut ne laver que de petites charges. Ceci garantit un lavage en douceur des vêtements sans augmenter les durées de programme.		

# DÉPANNAGE

Essayer d'abord les solutions suggérées ici ou consulter le site Web [www.whirlpool.ca/owners](http://www.whirlpool.ca/owners) pour obtenir de l'aide et pour éviter une intervention de réparation.

Si les phénomènes suivants se produisent	Causes possibles	Solution
<b>Processus de séchage</b>		
Le programme de séchage ne fonctionne pas	La porte n'est pas bien fermée.	S'assurer que la porte de la laveuse/sécheuse est complètement fermée.
	L'utilisateur n'a pas appuyé fermement sur le bouton Start/Pause (mise en marche/pause).	Toucher fermement le bouton START/PAUSE (mise en marche/pause).
	Le filtre de la pompe de vidange n'est pas en place/obstrué.	Nettoyer le filtre de la pompe de vidange. Voir la section "Nettoyage du filtre de la pompe de vidange/vidange de l'eau résiduelle." Remettre le filtre de la pompe de vidange en place dans la laveuse/sécheuse et s'assurer qu'il est bien placé.
	Un fusible du domicile est grillé ou le disjoncteur est ouvert.	Il peut y avoir 2 fusibles ou disjoncteurs pour la laveuse/sécheuse. Vérifier que les deux fusibles sont intacts et bien en place ou que les deux disjoncteurs ne se sont pas déclenchés. Remplacer les fusibles ou réarmer le disjoncteur. Si le problème persiste, appeler un électricien.
	Alimentation électrique incorrecte.	Les sècheuses électriques nécessitent une alimentation électrique de 240 V. Vérifier avec un électricien qualifié.
	Type de fusible incorrect.	Utiliser un fusible temporisé.
	La laveuse/sécheuse n'est pas raccordée à une alimentation en eau et le robinet d'arrêt est fermé.	Raccorder l'alimentation en eau à la laveuse/sécheuse et ouvrir le robinet. Le programme de séchage ne fonctionne pas si l'alimentation en eau n'est pas raccordée et si le robinet n'est pas ouvert.
Programme de séchage non sélectionné.	Sélectionner la fonction de séchage (voir l'étape 9 à la page 58).	
<b>Sons inhabituels</b>		
Bruit de grattement ou de vibration	Un petit objet est coincé dans le bord du tambour.	Vérifier les bords avant et arrière du tambour pour voir si de petits objets y sont coincés. Vider les poches avant le lavage.
	L'aplomb de la laveuse/sécheuse n'a pas été correctement établi.	La sècheuse peut vibrer si elle n'est pas correctement installée. Voir les "Instructions d'installation." Les quatre pieds de nivellement de la laveuse/sécheuse doivent être bien en contact avec le plancher.
	Les vêtements sont en boule dans la laveuse/sécheuse.	Une charge en boule rebondit, ce qui fait vibrer la laveuse/sécheuse. Séparer les articles de la charge et remettre la laveuse/sécheuse en marche.
Ronflement bruyant ou bruit de plus en plus fort durant le programme	La charge est trop tassée.	Charger le tambour à moitié ou moins pour améliorer le rendement de séchage.
<b>Résultats de la séchage</b>		
Les vêtements ne séchent pas de manière satisfaisante ou le temps de séchage est trop long	La charge est trop grosse et trop lourde pour sécher rapidement.	Séparer la charge pour qu'elle culbute librement. Remplir le tambour à moitié ou moins améliorera le rendement de séchage et réduira la durée du programme. Lancer un programme d'essorage à grande vitesse.
	La laveuse/sécheuse est placée dans un placard.	Les portes du placard doivent comporter des ouvertures d'aération au sommet et en bas de la porte. Un espace minimum de 3" (76 mm) est nécessaire à l'avant de la laveuse/sécheuse, 1" (25 mm) sur les côtés et, pour la plupart des installations, un espace de 4" (102 mm) est nécessaire à l'arrière de la laveuse/sécheuse. Voir les "Instructions d'installation."

# DÉPANNAGE

Essayer d'abord les solutions suggérées ici ou consulter le site Web [www.whirlpool.ca/owners](http://www.whirlpool.ca/owners) pour obtenir de l'aide et pour éviter une intervention de réparation.

Si les phénomènes suivants se produisent	Causes possibles	Solution
<b>Résultats de la séchage (suite)</b>		
Charpie sur la charge	Le filtre de la pompe de vidange est obstrué par de la charpie.	Nettoyer le filtre de la pompe de vidange. Voir la section "Nettoyage du filtre de la pompe de vidange/vidange de l'eau résiduelle." Effectuer cette procédure à intervalles de 6 mois.
Charges de séchage froissées	La charge n'a pas été retirée de la laveuse/sécheuse à la fin du programme.	Retirer les vêtements immédiatement à la fin du programme de séchage, ou utiliser l'option Wrinkle Shield™ (voir "Utilisation de la laveuse/sécheuse combinée").
	Les vêtements sont tassés dans la laveuse/sécheuse.	Faire sécher de plus petites charges qui peuvent culbuter librement. Remplir le tambour à moitié ou moins améliorera le rendement de séchage et réduira la durée du programme. Les résultats peuvent varier selon le type de tissu.
Charge trop chaude	La charge a été retirée avant que la portion de refroidissement du programme ne soit terminée.	Laisser la sécheuse terminer la portion de refroidissement du programme avant d'enlever la charge. La charge sera très chaude si le programme est annulé et que la charge est retirée avant la portion de refroidissement.

# DÉPANNAGE

Essayer d'abord les solutions suggérées ici ou consulter le site Web [www.whirlpool.ca/owners](http://www.whirlpool.ca/owners) pour obtenir de l'aide et pour éviter une intervention de réparation.

Si les phénomènes suivants se produisent	Causes possibles	Solution
<b>Un code d'erreur apparaît sur l'affichage</b>		
Une fois que tout problème éventuel a été résolu, toucher une fois le bouton POWER (mise sous tension) pour effacer le code. Sélectionner à nouveau et remettre le programme en marche.		
F0E1 Une charge est détectée pendant le programme de Clean Washer with affresh® (nettoyage de la laveuse avec affresh®)	Des articles sont détectés dans la laveuse/sécheuse pendant le programme de Clean Washer with affresh® (nettoyage de la laveuse avec affresh®).	Retirer la charge et remettre en marche le programme de Clean Washer with affresh® (nettoyage de la laveuse avec affresh®).
F0E2 Détection d'une trop grande quantité de mousse	Il y a trop de mousse dans la laveuse/sécheuse. La laveuse/sécheuse exécute une procédure de réduction de la quantité de mousse. Laisser le programme de lavage se poursuivre.	Utiliser uniquement un détergent HE.
F0E3 Température trop élevée pendant le programme de séchage	Le ventilateur de séchage ne fonctionne pas correctement.	Essayer de réinitialiser la laveuse/sécheuse en la débranchant de la prise de courant, puis en la rebranchant. En cas d'échec, appeler pour demander une intervention de dépannage.
F0E4 Température trop élevée pendant le programme de lavage	L'eau de lavage est trop chaude. La laveuse/sécheuse peut être mal raccordée à l'alimentation d'eau du domicile.	Vérifier que la laveuse/sécheuse est correctement raccordée à l'alimentation en eau froide.
F0E5 Détection d'une charge déséquilibrée	La charge est peut-être déséquilibrée ou de trop grande taille.	Éviter de tasser les vêtements dans la laveuse/sécheuse. Éviter de laver un article seul. Compenser un article seul comme un tapis, un jeans ou une veste avec quelques articles supplémentaires pour équilibrer le tout.
F1E4 Erreur de relais principal	Problème détecté avec le relais principal.	Essayer de réinitialiser la laveuse/sécheuse en la débranchant de la prise de courant, puis en la rebranchant. En cas d'échec, appeler pour demander une intervention de dépannage.
F3E1 Problème de capteur de pression	Problème détecté avec le capteur de pression.	Essayer de réinitialiser la laveuse/sécheuse en la débranchant de la prise de courant, puis en la rebranchant. En cas d'échec, appeler pour demander une intervention de dépannage.
F3E2 Défaillance de la thermistance NTC de lavage	Problème détecté avec la thermistance NTC de lavage.	Appeler pour demander une intervention de dépannage.
F3E3 Défaillance de la thermistance NTC d'entrée d'air	Problème détecté avec la thermistance NTC d'entrée d'air. La fonction de lavage fonctionne toujours, mais la fonction de séchage ne fonctionne pas.	Appeler pour demander une intervention de dépannage.
F3E4 Erreur ADS – capteurs	Erreur du capteur du niveau de détergent.	Nettoyer le distributeur de détergent Load & Go™ ou ajouter manuellement le détergent jusqu'à ce que le distributeur soit nettoyé.
F4E2 Défaillance du circuit de chauffage de la sécheuse	Problème détecté avec le circuit de chauffage de la sécheuse. La fonction de lavage fonctionne toujours, mais la fonction de séchage ne fonctionne pas.	Appeler pour demander une intervention de dépannage.
F4E3 Défaillance du moteur du ventilateur de la sécheuse	Problème détecté avec le moteur du ventilateur de la sécheuse. La fonction de lavage fonctionne toujours, mais la fonction de séchage ne fonctionne pas.	Appeler pour demander une intervention de dépannage.

# DÉPANNAGE

Essayer d'abord les solutions suggérées ici ou consulter le site Web [www.whirlpool.ca/owners](http://www.whirlpool.ca/owners) pour obtenir de l'aide et pour éviter une intervention de réparation.

Si les phénomènes suivants se produisent	Causes possibles	Solution
<b>Un code d'erreur apparaît sur l'affichage (suite)</b>		
Une fois que tout problème éventuel a été résolu, toucher une fois le bouton POWER (mise sous tension) pour effacer le code. Sélectionner à nouveau et remettre le programme en marche.		
F5E1 Problème affectant le contacteur/verrou de la porte	Problème détecté avec le contacteur/verrou de la porte. La porte est déverrouillée pendant un programme alors qu'elle devrait être verrouillée.	Essayer de réinitialiser la laveuse/sécheuse en la débranchant de la prise de courant, puis en la rebranchant. En cas d'échec, appeler pour demander une intervention de dépannage.
F5E2 Le verrou de la porte ne se verrouille pas	Problème détecté avec le verrou de la porte.	Essayer de réinitialiser la laveuse/sécheuse en la débranchant de la prise de courant, puis en la rebranchant. En cas d'échec, appeler pour demander une intervention de dépannage.
F5E3 Le verrou de porte ne se déverrouille pas	Problème détecté avec le verrou de la porte.	Essayer de réinitialiser la laveuse/sécheuse en la débranchant de la prise de courant, puis en la rebranchant. En cas d'échec, appeler pour demander une intervention de dépannage.
F5E4 La porte n'a pas été ouverte entre deux programmes	Trois programmes consécutifs ont été effectués sans ouverture de la porte entre les programmes. La laveuse/sécheuse génère un bip sonore de touche non valide lorsque l'on appuie sur START (mise en marche).	Ouvrir et fermer la porte. Vérifier si le contacteur de la porte n'est pas obstrué. Vérifier le bon fonctionnement du contacteur de la porte.
F6E1 Erreur de communication entre les composants électroniques de la laveuse/sécheuse	Problème détecté avec les composants électroniques de la laveuse/sécheuse.	Essayer de réinitialiser la laveuse/sécheuse en la débranchant de la prise de courant, puis en la rebranchant. En cas d'échec, appeler pour demander une intervention de dépannage.
F6E2 Erreur de communication entre les composants électroniques de la laveuse/sécheuse	Problème détecté avec les composants électroniques de la laveuse/sécheuse.	Essayer de réinitialiser la laveuse/sécheuse en la débranchant de la prise de courant, puis en la rebranchant. En cas d'échec, appeler pour demander une intervention de dépannage.
F8E1 Aucune arrivée d'eau détectée/dépassement du délai de remplissage	La laveuse/sécheuse peut ne pas être raccordée à l'alimentation d'eau du domicile. Le robinet d'alimentation en eau du domicile peut être fermé. Le tuyau d'alimentation à la laveuse/sécheuse peut être plié. La valve d'arrivée d'eau de la laveuse/sécheuse peut être défectueuse.	Vérifier que la laveuse/sécheuse est raccordée à l'alimentation en eau froide de la maison et que le robinet d'alimentation de la maison est ouvert. Vérifier que le tuyau d'alimentation à la laveuse/sécheuse n'est pas plié. Si le problème persiste, faire un appel de service.
F8E3 Renversement d'eau détecté	La valve d'arrivée d'eau de la laveuse/sécheuse a une fuite interne.	Appeler pour demander une intervention de dépannage.
F9E1 Dépassement du délai de vidange/défaillance de la pompe de vidange	Le filtre de la pompe de vidange de la laveuse/sécheuse peut avoir besoin d'être nettoyé. Les trous de vidange du soufflet de la laveuse/sécheuse peuvent être obstrués. Le tuyau de vidange de la laveuse/sécheuse ou le drain de la maison peuvent être obstrués. La pompe de vidange de la laveuse/sécheuse peut être défectueuse.	Nettoyer le filtre de la pompe de vidange de la laveuse/sécheuse. Vérifier si les trous de vidange du soufflet de la laveuse/sécheuse sont obstrués. Vérifier si le tuyau de vidange de la laveuse/sécheuse et le drain de la maison sont obstrués. Si le problème persiste, faire un appel de service.

## Déverrouillage manuel de la porte

### **⚠ AVERTISSEMENT**



#### Risque de choc électrique

Déconnecter la source de courant électrique avant l'entretien.

Replacer pièces et panneaux avant de faire la remise en marche.

Le non-respect de ces instructions peut causer un décès ou un choc électrique.

### **COMMENT OUVRIR MANUELLEMENT LA PORTE**

Avant d'ouvrir la porte comme décrit ci-dessous, consulter le point "La porte ne se déverrouille pas" de la section "Dépannage." La porte peut s'être déverrouillée par elle-même après une condition de défaillance qui n'existe plus.

Si la porte ne s'ouvre toujours pas, effectuer les étapes suivantes :

#### Avant d'ouvrir la porte :

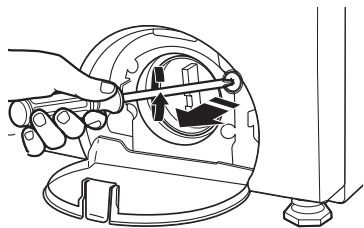
- Arrêter et débrancher la laveuse/sécheuse.
- Fermer le robinet d'entrée d'eau.
- Attendre que le tambour ait terminé de tourner – ne jamais ouvrir la porte pendant que le tambour est en mouvement.
- Attendre que l'eau et la charge aient refroidi lorsque le programme de lavage à l'eau chaude est utilisé.

Toujours vider l'eau avant d'ouvrir la porte en :

- Suivre les instructions de la section "Nettoyage du filtre de la pompe de vidange/vidange de l'eau résiduelle."

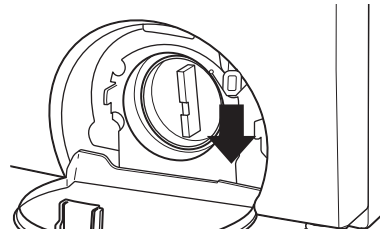
#### Pour déverrouiller et ouvrir la porte de la laveuse/sécheuse :

1. Ouvrir la porte d'accès au filtre de la pompe de vidange située dans le coin inférieur droit, à l'avant de la laveuse/sécheuse. À l'aide d'un tournevis cruciforme, enlever la vis cruciforme dans le coin supérieur droit du compartiment de la porte d'accès.

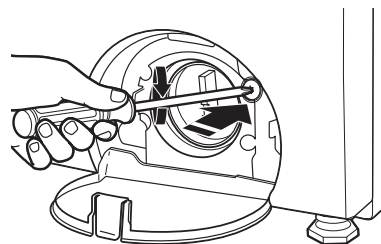


### **COMMENT OUVRIR MANUELLEMENT LA PORTE (suite)**

2. Tirer vers le bas la courroie de plastique située sous la vis qui a été enlevée. La porte peut maintenant être ouverte et la charge enlevée, au besoin.



3. Après avoir retiré la lessive (si nécessaire), fixer de nouveau la courroie en plastique en remplaçant et en serrant la vis cruciforme enlevée à l'étape 1 dans le trou de la courroie.



# Avis d'application de la réglementation de la connexion des électroménagers

## Déclaration de conformité de la Commission fédérale des communications (FCC)

Cet appareil a été testé et déclaré conforme aux limites pour appareils numériques de classe B, selon la section 15 des règlements de la FCC (Federal Communications Commission). Ces limites sont conçues dans le but d'assurer une protection raisonnable contre des interférences nuisibles dans une installation résidentielle. Cet appareil génère, utilise et peut émettre l'énergie de fréquence radio et, s'il n'est pas installé ni utilisé conformément aux instructions, peut causer des interférences nuisibles aux communications radio. Cependant, il se peut que des interférences se produisent dans une installation particulière. Si cet appareil cause des interférences nuisibles à la réception radio ou télévision, pouvant être déterminées par le fait d'allumer et d'éteindre l'appareil, l'utilisateur est encouragé à essayer de corriger les interférences en suivant l'un ou plusieurs des conseils suivants :

- Réorienter ou déplacer l'antenne de réception.
- Augmenter la distance séparant l'appareil du récepteur.
- Brancher l'appareil sur un circuit différent de celui où le récepteur est branché.
- Contacter un revendeur ou un technicien radio/télévision qualifié pour obtenir de l'aide.

Cet appareil est conforme à la norme FCC, partie 15. Le bon fonctionnement de l'appareil est fonction de deux conditions :

1. Cet appareil ne doit pas produire de brouillage dommageable et
2. Cet appareil doit accepter tout brouillage radioélectrique subi, même si le brouillage est susceptible d'en compromettre le fonctionnement.

Tous changements ou modifications n'ayant pas été expressément approuvés par la partie responsable de la conformité pourraient annuler l'autorité de l'utilisateur à utiliser l'appareil.

## Renseignements sur l'exposition aux radiofréquences (RF)

Pour satisfaire aux exigences de la FCC et IC d'exposition pour les appareils de transmission mobiles, cet émetteur ne devrait être qu'utilisé ou installé dans un lieu séparant l'antenne et toutes les personnes par 20 cm ou plus.

Pour satisfaire aux exigences de la FCC et IC de limite d'exposition pour la population générale/incontrôlée, l'antenne utilisée avec cet émetteur doit être installée à une distance de 20 cm ou plus de toute personne et ne doit pas être co-utilisée ou fonctionner en même temps qu'une autre antenne ou qu'un émetteur.

## Déclaration de conformité d'Industrie Canada (IC)

Le présent appareil est conforme aux CNR d'Industrie Canada applicables aux appareils radio exempts de licence. L'exploitation est autorisée aux deux conditions suivantes :

- (1) l'appareil ne doit pas produire de brouillage, et
- (2) l'utilisateur de l'appareil doit accepter tout brouillage radioélectrique subi, même si le brouillage est susceptible d'en compromettre le fonctionnement.

Conformément à la réglementation d'Industrie Canada, le présent émetteur radio peut fonctionner avec une antenne d'un type et d'un gain maximal (ou inférieur) approuvé pour l'émetteur par Industrie Canada. Dans le but de réduire les risques de brouillage radioélectrique à l'intention des autres utilisateurs, il faut choisir le type d'antenne et son gain de sorte que la puissance isotrope rayonnée équivalente (p.i.r.e.) ne dépasse pas l'intensité nécessaire à l'établissement d'une communication satisfaisante.

Le présent émetteur radio IC : 10248A-XPWG3 a été approuvé par Industrie Canada pour fonctionner avec les types d'antenne énumérés ci-dessous et ayant un gain admissible maximal et l'impédance requise pour chaque type d'antenne. Les types d'antenne non inclus dans cette liste, ou dont le gain est supérieur au gain maximal indiqué, sont strictement interdits pour l'exploitation de l'émetteur.

Type d'antenne	Gain admissible maximal d'antenne (dBi)	L'impédance requise (OHM)
À fentes	1,76	50

Pour satisfaire aux exigences de la FCC et IC d'exposition aux radiofréquences, une distance de séparation de 20 cm ou plus doit être maintenue entre cet appareil et des personnes lors de fonctionnement du dispositif. Pour assurer la conformité des opérations au plus près que cette distance n'est pas recommandée. L'antenne utilisée pour ce transmetteur ne doit pas être co-localisée en conjonction avec toute autre antenne ou transmetteur.

## Responsabilités du FEO à satisfaire aux règlements de la FCC et d'Industrie Canada

Le module XPWG3 des produits est certifié seulement si l'intégration par le FEO respecte les conditions suivantes :

1. Les antennes doivent être installées de telle sorte qu'il y ait une distance de 20 cm ou plus entre la radiation (antenne) et toutes les personnes en tout temps.
2. L'émetteur ne doit pas être co-localisé en conjonction avec toute autre antenne ou tout émetteur.

Aucune évaluation supplémentaire d'émission n'est requise si les deux conditions précédentes sont respectées. Cependant, le FEO intégrateur demeure responsable du contrôle de ses produits pour répondre aux exigences supplémentaires concernant ce module (par exemple, émissions d'appareil numérique, exigences périphériques d'un ordinateur personnel, etc.).

**REMARQUE IMPORTANTE :** Lorsque ces conditions ne peuvent être respectées (pour certaines configurations ou colocalisations avec un autre émetteur), les autorisations de la FCC et d'Industrie Canada ne sont plus considérées valides et les numéros de certification ID et IC de la FCC ne peuvent pas être utilisés sur le produit. Dans ces circonstances, le FEO intégrateur sera responsable de réévaluer le produit (incluant l'émetteur) et d'obtenir une autorisation séparée de la FCC et d'Industrie Canada.

## Étiquette de produit

L'étiquette du module XPWG3 est munie des numéros de certifications ID et IC de la FCC. Si les numéros de certifications ID et IC de la FCC ne sont pas visibles lorsque le module est installé dans un autre appareil, l'extérieur de l'appareil dans lequel le module est installé doit aussi afficher une étiquette de référence pour le module. Dans cette situation, le produit final doit posséder une étiquette visible contenant les renseignements suivants :

“Contient un émetteur FCC ID : A5UXPWG3”

“Contient un émetteur IC : 10248A-XPWG3”

ou

“Contient FCC ID : A5UXPWG3”

“Contient IC : 10248A-XPWG3”

Le FEO du module XPWG3 ne doit utiliser que les antennes approuvées et certifiées pour ce module. Le FEO intégrateur ne doit pas fournir les renseignements à l'utilisateur final concernant l'installation et le démontage de ce module RF ou les modifications de paramètres RF dans le guide d'utilisation du produit final.

## Le guide d'utilisation du produit doit comprendre les renseignements suivants :

“Pour satisfaire aux exigences de la FCC et d'Industrie Canada sur les l'exposition aux radiations de radiodiffusion, les antennes utilisées avec cet émetteur doivent être installées de telle sorte qu'il y ait une distance de 20 cm ou plus séparant la source de radiation (antenne) et toute personne en tout temps et ne doit pas être co-utilisée ou fonctionner en même temps qu'une autre antenne ou qu'un émetteur.”



# Avis d'application de la réglementation de la connexion des électroménagers (suite)

## Utilisation de la licence de source ouverte

Les déclarations suivantes concernent les parties de ce logiciel selon FreeRTOS v7.0.2, <http://www.freertos.org>.

L'utilisation de ce logiciel est assujettie aux conditions de la licence publique générale GNU v. 2, disponible au :

<http://www.gnu.org/licenses/gpl-2.0.html>. Une copie du code source peut être obtenue en effectuant une demande pour obtenir le logiciel à [opensource@whirlpool.com](mailto:opensource@whirlpool.com), et en indiquant l'adresse de retour.

La déclaration suivante concerne les parties du logiciel protégées par des droits d'auteur par Eclipse Foundation, Inc. Copyright (c) 2007, Eclipse Foundation, Inc. et ses concédants. Tous droits réservés.

La redistribution et l'utilisation en formats source et binaire, avec ou sans modification, sont permises si les conditions suivantes sont respectées :

- La redistribution du code source doit être accompagnée de la mention de protection par droits d'auteur précédente, de cette liste de conditions et de l'avis de non-responsabilité suivante.
- La redistribution en format binaire doit comporter la mention de protection par droits d'auteur précédente, cette liste de conditions et l'avis de non-responsabilité suivante dans sa documentation ou le matériel fourni pendant la distribution.
- Ni le nom Eclipse Foundation, Inc. ou les noms de ses collaborateurs peuvent être utilisés pour approuver ou promouvoir les produits dérivés du logiciel sans une autorisation écrite préalable.

CE LOGICIEL EST FOURNI PAR LES DÉTENTEURS DU DROIT D'AUTEUR ET SES COLLABORATEURS "EN L'ÉTAT" SANS QU'AUCUNE GARANTIE D'AUCUNE SORTIE, IMPLICITE OU EXPLICITE, N'Y SOIT RATTACHÉE Y COMPRIS, SANS S'Y LIMITER, LES GARANTIES IMPLICITES DE QUALITÉ MARCHANDE ET D'ADÉQUATION À UNE UTILISATION PARTICULIÈRE. EN AUCUN CAS, LE TITULAIRE DES DROITS D'AUTEUR OU LES COLLABORATEURS NE PEUVENT ÊTRE TENUS RESPONSABLES D'UN QUELCONQUE DOMMAGE DIRECT, INDIRECT, ACCESSOIRE, PARTICULIER, EXEMPLAIRE OU CONSÉCUTIF (Y COMPRIS, MAIS SANS S'Y LIMITER, L'ACQUISITION DE PRODUITS OU SERVICES DE SUBSTITUTION; LA PERTE DE JOUISSANCE, DE DONNÉES OU DE BÉNÉFICES; OU LES PERTES D'EXPLOITATION) QUELLES QU'EN SOIENT LES CAUSES ET QUEL QUE SOIT LE TYPE DE RESPONSABILITÉ, CONTRACTUELLE, SANS FAUTE OU FONDÉE SUR UN DÉLIT CIVIL (Y COMPRIS PAR NÉGLIGENCE OU POUR UNE AUTRE CAUSE) RÉSULTANT D'UNE MANIÈRE OU D'UNE AUTRE DE L'UTILISATION DE CE LOGICIEL, MÊME SI MENTION A ÉTÉ FAITE DE LA POSSIBILITÉ DE TELS DOMMAGES.

Des parties de ce logiciel sont protégées par des droits d'auteur (c) de Sawtooth Consulting Ltd. 2006-2015 tous droits réservés.

Des parties de ce logiciel sont protégées par des droits d'auteur (c) Arrayent, Inc. 2015 tous droits réservés.

Les déclarations suivantes concernent les parties de ce logiciel protégées par droits d'auteur de Swedish Institute of Computer Science.

Copyright (c) 2001-2004 Swedish Institute of Computer Science. Tous droits réservés.

La redistribution et l'utilisation en formats source et binaire, avec ou sans modification, sont permises si les conditions suivantes sont respectées :

1. La redistribution du code source doit être accompagnée de la mention de protection par droits d'auteur précédente, de cette liste de conditions et de l'avis de non-responsabilité suivante.
2. La redistribution en format binaire doit comporter la mention de protection par droits d'auteur précédente, cette liste de conditions et l'avis de non-responsabilité suivante dans sa documentation ou le matériel fourni pendant la distribution.
3. Le nom de l'auteur ne doit pas être utilisé pour approuver ou promouvoir les produits dérivés de ce logiciel sans avoir précédemment obtenu une autorisation écrite.

CE LOGICIEL EST FOURNI PAR L'AUTEUR "EN L'ÉTAT" SANS QU'AUCUNE GARANTIE D'AUCUNE SORTIE, IMPLICITE OU EXPLICITE, N'Y SOIT RATTACHÉE Y COMPRIS, SANS S'Y LIMITER, LES GARANTIES IMPLICITES DE QUALITÉ MARCHANDE ET D'ADÉQUATION À UNE UTILISATION PARTICULIÈRE. EN AUCUN CAS, L'AUTEUR NE PEUT ÊTRE TENU RESPONSABLE D'UN QUELCONQUE DOMMAGE DIRECT, INDIRECT, ACCESSOIRE, PARTICULIER, EXEMPLAIRE OU CONSÉCUTIF (Y COMPRIS, MAIS SANS S'Y LIMITER, L'ACQUISITION DE PRODUITS OU SERVICES DE SUBSTITUTION; LA PERTE DE JOUISSANCE, DE DONNÉES OU DE BÉNÉFICES; OU LES PERTES D'EXPLOITATION) QUELLES QU'EN SOIENT LES CAUSES ET QUEL QUE SOIT LE TYPE DE RESPONSABILITÉ, CONTRACTUELLE, SANS FAUTE OU FONDÉE SUR UN DÉLIT CIVIL (Y COMPRIS PAR NÉGLIGENCE OU POUR UNE AUTRE CAUSE) RÉSULTANT D'UNE MANIÈRE OU D'UNE AUTRE DE L'UTILISATION DE CE LOGICIEL, MÊME SI MENTION A ÉTÉ FAITE DE LA POSSIBILITÉ DE TELS DOMMAGES.

Cette déclaration concerne les parties du logiciel sous droits d'auteur par Marvell International Ltd.

Droits d'auteur (c) Marvell International Ltd. Tous droits réservés.

AVIS DE NON-RESPONSABILITÉ. CE LOGICIEL EST FOURNI PAR LES DÉTENTEURS DU DROIT D'AUTEUR ET SES COLLABORATEURS "EN L'ÉTAT" SANS QU'AUCUNE GARANTIE D'AUCUNE SORTIE, IMPLICITE OU EXPLICITE, N'Y SOIT RATTACHÉE Y COMPRIS, SANS S'Y LIMITER, LES GARANTIES IMPLICITES DE QUALITÉ MARCHANDE ET D'ADÉQUATION À UNE UTILISATION PARTICULIÈRE. EN AUCUN CAS, LE TITULAIRE DES DROITS D'AUTEUR OU LES COLLABORATEURS NE PEUVENT ÊTRE TENUS RESPONSABLES D'UN QUELCONQUE DOMMAGE DIRECT, INDIRECT, ACCESSOIRE, PARTICULIER, EXEMPLAIRE OU CONSÉCUTIF (Y COMPRIS, MAIS SANS S'Y LIMITER, L'ACQUISITION DE PRODUITS OU SERVICES DE SUBSTITUTION; LA PERTE DE JOUISSANCE, DE DONNÉES OU DE BÉNÉFICES; OU LES PERTES D'EXPLOITATION) QUELLES QU'EN SOIENT LES CAUSES ET QUEL QUE SOIT LE TYPE DE RESPONSABILITÉ, CONTRACTUELLE, SANS FAUTE OU FONDÉE SUR UN DÉLIT CIVIL (Y COMPRIS PAR NÉGLIGENCE OU POUR UNE AUTRE CAUSE) RÉSULTANT D'UNE MANIÈRE OU D'UNE AUTRE DE L'UTILISATION DE CE LOGICIEL, MÊME SI MENTION A ÉTÉ FAITE DE LA POSSIBILITÉ DE TELS DOMMAGES.

# GARANTIE DES APPAREILS DE BUANDERIE WHIRLPOOL®

ATTACHEZ ICI VOTRE REÇU DE VENTE. UNE PREUVE D'ACHAT EST OBLIGATOIRE POUR OBTENIR L'APPLICATION DE LA GARANTIE.

Lorsque vous appelez le centre d'expérience de la clientèle, veuillez garder à disposition les renseignements suivants :

- Nom, adresse et numéro de téléphone
- Numéros de modèle et de série
- Une description claire et détaillée du problème rencontré
- Une preuve d'achat incluant le nom et l'adresse du marchand ou du détaillant

## SI VOUS AVEZ BESOIN DE SERVICE :

1. Avant de nous contacter pour obtenir un dépannage, veuillez déterminer si des réparations sont nécessaires pour votre produit. Certains problèmes peuvent être résolus sans intervention de dépannage. Prenez quelques minutes pour parcourir la section Dépannage du guide d'utilisation et d'entretien ou rendez-vous sur le site [https://www.whirlpool.ca/fr\\_ca/owners.html](https://www.whirlpool.ca/fr_ca/owners.html).
2. Tout service sous garantie doit être effectué exclusivement par nos fournisseurs de dépannage autorisés Whirlpool. Aux É.-U. et au Canada, dirigez toutes vos demandes de service sous garantie au :

### Centre d'expérience de la clientèle Whirlpool

**Aux É.-U., composer le 1-866-698-2538. Au Canada, composer le 1-800-807-6777.**

Si vous résidez à l'extérieur du Canada et des 50 États des États-Unis, contactez votre marchand Whirlpool autorisé pour déterminer si une autre garantie s'applique.

## GARANTIE LIMITÉE D'UN AN

### CE QUI EST COUVERT

Pendant un an à compter de la date d'achat, lorsque ce gros appareil ménager est installé, utilisé et entretenu conformément aux instructions jointes à ou fournies avec le produit, Whirlpool Corporation ou Whirlpool Canada LP (ci-après désignées "Whirlpool") décidera à sa seule discrétion de remplacer le produit ou de couvrir le coût des pièces de remplacement spécifiées par l'usine et de la main-d'œuvre nécessaires pour corriger les vices de matériaux ou de fabrication qui existaient déjà lorsque ce gros appareil ménager a été acheté. S'il est remplacé, votre appareil restera sous garantie pour la durée restant à courir de la période de garantie sur le produit d'origine.

LE SEUL ET EXCLUSIF RECOURS DU CLIENT DANS LE CADRE DE LA PRÉSENTE GARANTIE LIMITÉE CONSISTE EN LA RÉPARATION PRÉVUE CI-DESSUS. Le service doit être fourni par une compagnie de service désignée par Whirlpool. Cette garantie limitée est valide uniquement aux États-Unis ou au Canada et s'applique exclusivement lorsque le gros appareil ménager est utilisé dans le pays où il a été acheté. La présente garantie limitée entre en vigueur à compter de la date d'achat initial par le consommateur. Une preuve de la date d'achat d'origine est exigée pour obtenir un service dans le cadre de la présente garantie limitée.

### CE QUI N'EST PAS COUVERT

1. Usage commercial, non résidentiel ou par plusieurs familles, ou non-respect des instructions de l'utilisateur, de l'opérateur ou des instructions d'installation.
2. Visite d'instruction à domicile pour montrer à l'utilisateur comment utiliser l'appareil.
3. Visites de service pour rectifier une installation ou un entretien fautifs du produit, une installation non conforme aux codes d'électricité ou de plomberie, ou la rectification de l'installation électrique ou de la plomberie du domicile (ex : câblage électrique, fusibles ou tuyaux d'arrivée d'eau du domicile).
4. Pièces consommables (ex : ampoules, batteries, filtres à air ou à eau, solutions de conservation).
5. Défauts ou dommage résultant de l'utilisation de pièces ou accessoires Whirlpool non authentiques.
6. Conversion de votre produit du gaz naturel ou du gaz propane, ou inversion des portes de l'appareil.
7. Dommages causés par : accident, mésusage, abus, incendie, inondations, catastrophe naturelle ou l'utilisation de produits non approuvés par Whirlpool.
8. Réparations aux pièces ou systèmes dans le but de rectifier un dommage ou des défauts résultant d'une réparation, d'une altération ou d'une modification non autorisée de l'appareil.
9. Défauts d'apparence, notamment les éraflures, traces de choc, fissures ou tout autre dommage subi par le fini de l'appareil ménager, à moins que ces dommages ne résultent de vices de matériaux ou de fabrication et ne soient signalés à Whirlpool dans les 30 jours.
10. Décoloration, rouille ou oxydation des surfaces résultant d'environnements caustiques ou corrosifs incluant des concentrations élevées de sel, un haut degré d'humidité ou une exposition à des produits chimiques (exemples non exhaustifs).
11. Enlèvement ou livraison. Ce produit est conçu pour être réparé à l'intérieur du domicile.
12. Frais de déplacement et de transport pour le dépannage/la réparation dans une région éloignée où une compagnie de service Whirlpool autorisée n'est pas disponible.
13. Retrait ou réinstallation d'appareils inaccessibles ou de dispositifs préinstallés (ex : garnitures, panneaux décoratifs, plancher, meubles, îlots de cuisine, plans de travail, panneaux de gypse) qui entravent le dépannage, le retrait ou le remplacement du produit.
14. Service et pièces pour des appareils dont les numéros de série et de modèle originaux ont été enlevés, modifiés ou ne peuvent pas être facilement identifiés.

**Le coût d'une réparation ou d'un remplacement dans le cadre de ces circonstances exclues est à la charge du client.**

---

**CLAUSE D'EXONÉRATION DE RESPONSABILITÉ AU TITRE DES GARANTIES IMPLICITES**

LES GARANTIES IMPLICITES, Y COMPRIS LES GARANTIES APPLICABLES DE QUALITÉ MARCHANDE OU D'APTITUDE À UN USAGE PARTICULIER, SONT LIMITÉES À UN AN OU À LA PLUS COURTE PÉRIODE AUTORISÉE PAR LA LOI. Certains États et certaines provinces ne permettent pas de limitation sur la durée de garanties implicites de qualité marchande ou d'aptitude à un usage particulier, de sorte que la limitation ci-dessus peut ne pas être applicable dans votre cas. Cette garantie vous confère des droits juridiques spécifiques, et vous pouvez également jouir d'autres droits qui peuvent varier d'une juridiction à l'autre.

---

**EXONÉRATION DE RESPONSABILITÉ EN DEHORS DE LA GARANTIE**

Whirlpool ne prend aucun engagement quant à la qualité ou la durabilité de l'appareil, ou en cas de dépannage ou de réparation nécessaire sur ce gros appareil ménager, autre que les engagements énoncés dans la présente garantie. Si vous souhaitez une garantie prolongée ou plus complète que la garantie limitée fournie avec ce gros appareil ménager, renseignez-vous auprès de Whirlpool ou de votre détaillant à propos de l'achat d'une extension de garantie.

---

**LIMITATION DES RECOURS; EXCLUSION DES DOMMAGES FORTUITS OU INDIRECTS**

LE SEUL ET EXCLUSIF RECOURS DU CLIENT DANS LE CADRE DE LA PRÉSENTE GARANTIE LIMITÉE CONSISTE EN LA RÉPARATION PRÉVUE CI-DESSUS. WHIRLPOOL N'ASSUME AUCUNE RESPONSABILITÉ POUR LES DOMMAGES FORTUITS OU INDIRECTS. Certains États et certaines provinces ne permettent pas l'exclusion ou la limitation des dommages fortuits ou indirects de sorte que ces limitations et exclusions peuvent ne pas être applicables dans votre cas. Cette garantie vous confère des droits juridiques spécifiques, et vous pouvez également jouir d'autres droits qui peuvent varier d'une juridiction à l'autre.

---

10/17

## Assistance or Service

Before calling for assistance or service, please check "Troubleshooting" or visit [www.whirlpool.com/owners](http://www.whirlpool.com/owners). It may save you the cost of a service call. If you still need help, follow the instructions below. When calling, please know the purchase date and the complete model and serial number of your appliance. This information will help us to better respond to your request.

### If you need replacement parts or to order accessories

We recommend that you use only FSP® Factory Specified Parts. These parts will fit right and work right because they are made with the same precision used to build every new WHIRLPOOL® appliance.

**To locate FSP® replacement parts or accessories, go to [www.whirlpoolparts.com](http://www.whirlpoolparts.com).**

Questions? Call us toll free at **1-866-698-2538** or in Canada call **1-800-688-2002**.

### Our consultants provide assistance with

#### In the U.S.A.

- Features and specifications on our full line of appliances.
- Installation information.
- Specialized customer assistance (Spanish speaking, hearing impaired, limited vision, etc.).

#### In the U.S.A. and Canada

- Use and maintenance procedures.
- Accessory and repair parts sales.
- Referrals to local dealers, repair parts distributors, and service companies. Whirlpool designated service technicians are trained to fulfill the product warranty and provide after-warranty service, anywhere in the United States and Canada.

You can write with any questions or concerns at:

Whirlpool Brand Appliances  
Customer eXperience Center  
553 Benson Road  
Benton Harbor, MI 49022-2692  
1-866-698-2538

Whirlpool Brand Appliances  
Customer eXperience Centre  
Unit 200-6750 Century Ave  
Mississauga, Ontario L5N 0B7  
1-800-688-2002

Please include a daytime phone number in your correspondence.

## Assistance ou Service

Avant de faire un appel pour obtenir de l'assistance ou un entretien, vérifiez la section "Dépannage" ou consultez [www.whirlpool.ca/owners](http://www.whirlpool.ca/owners). Cette vérification peut vous faire économiser le coût d'une visite de réparation.

Si vous avez encore besoin d'aide, suivre les instructions ci-dessous.

Lors d'un appel, garder à portée de main la date d'achat et les numéros de modèle et de série de votre appareil. Ces renseignements nous aideront à mieux répondre à votre demande.

### Pour commander des pièces de rechange ou des accessoires

Pour commander des pièces de rechange, nous vous recommandons d'utiliser seulement des pièces spécifiées par l'usine. Ces pièces conviendront et fonctionneront bien parce qu'elles sont fabriquées selon les mêmes spécifications précises utilisées pour construire chaque nouvel appareil WHIRLPOOL®.

**Pour trouver des pièces de rechange FSP® ou des accessoires, visiter le [www.whirlpool.ca](http://www.whirlpool.ca).**

Des questions? Composer le numéro sans frais **1-800-688-2002**.

### Nos consultants fournissent l'assistance pour :

- Procédés d'utilisation et d'entretien.
- Vente d'accessoires et de pièces de rechange.
- Références aux concessionnaires, compagnies de service de réparation et distributeurs de pièces de rechange locaux. Les techniciens de service désignés par Whirlpool sont formés pour remplir la garantie des produits et fournir un service après la garantie, partout au Canada.

### Pour plus d'assistance

Vous pouvez nous soumettre toute question ou tout problème en écrivant à l'adresse ci-dessous :

Whirlpool Brand Appliances  
Centre pour l'eXpérience de la clientèle  
Unit 200-6750 Century Ave  
Mississauga, Ontario L5N 0B7  
1-800-688-2002

Dans votre correspondance, veuillez indiquer un numéro de téléphone où nous pouvons vous joindre dans la journée.