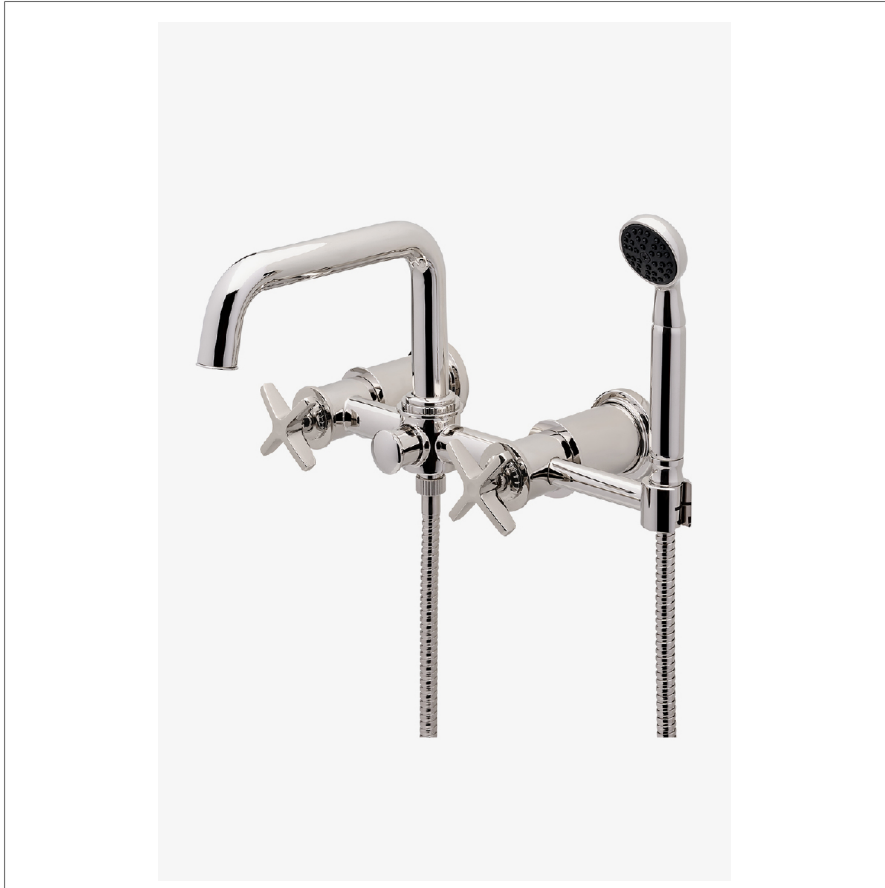


## HENRY CHRONOS

CXT101

Henry Chronos Wall Mounted Exposed Tub Filler with Handshower and Cross Handles



SHOWN IN HENRY CHRONOS WALL MOUNTED EXPOSED TUB FILLER WITH HANDSHOWER AND CROSS HANDLES | CXT101

### TECHNICAL DETAILS

ADA Compliance: No  
Fittings Hole Diameter: 1 3/8"  
Handle Spread Maximum: 8"  
Handle Spread Minimum: 8"  
Handle Turn Angle: Quarter Turn  
Handshower Spray Hose Length: 60"  
Inlet Connection Size: 3/4"  
Inlet Connection Type: Copper Sweat, NPT and 1/2" Female BSPP  
Inlet Supply Spread Maximum: 8"  
Inlet Supply Spread Minimum: 8"  
Integrated Diverter: Y  
Number Of Holes: Two Hole  
Pivot: Y  
Primary Material: Brass  
Restricted Maximum Flow Rate: 1.75 gpm  
Spout Swivel: N  
Spray Included In Unit: Y  
Valve Material: Brass and Ceramic  
Water Pressure Maximum: 85.0 psi  
Water Pressure Minimum: 20.0 psi  
Water Pressure Recommended: 45.0 psi

### INSPIRATION

Inspired by dive watches, Henry Chronos radiates design prowess and technical precision. Chronos retains the design integrity of our original, iconic Henry collection, while imbuing it with modern details and exquisite materials.

### CODES & STANDARDS

### PRODUCT FEATURES

Features All Metal Cross Handles

Diverter Knob Allows Bather to Move Water From Spout to Handshower

Handshower Offers a Fixed Spray Pattern, Handshower Post Can Swivel to Allow User to Position Handshower Over the Tub

Stocked in Brass, Chrome and Nickel

Unrestricted Flow for Tub Spout. Handshower Available in 1.75gpm (4.5L/min) Flow Rate

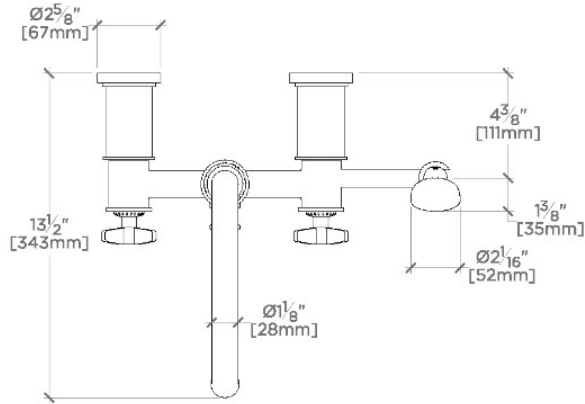
### CERTIFICATIONS

### PRODUCT (NOTES)

## HENRY CHRONOS

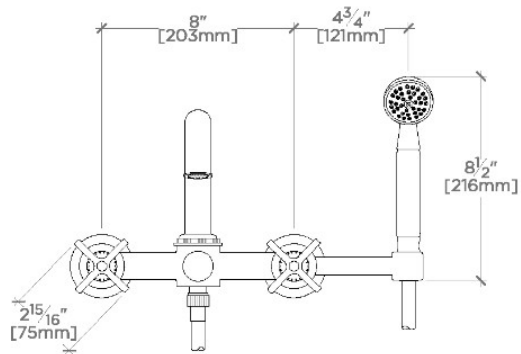
CXT101

Henry Chronos Wall Mounted Exposed Tub Filler with Handshower and Cross Handles



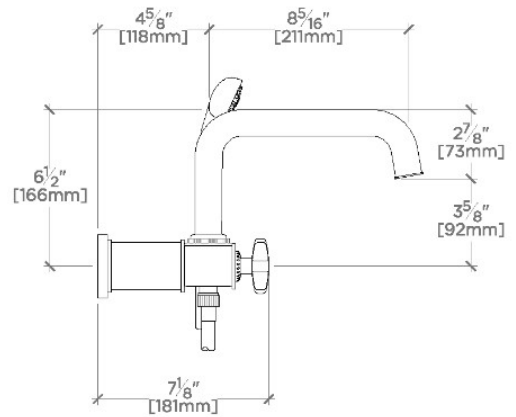
TOP VIEW

SCALE: 1/2"=1'-0"



FRONT VIEW

SCALE: 1/2"=1'-0"



SIDE VIEW

SCALE: 1/2"=1'-0"