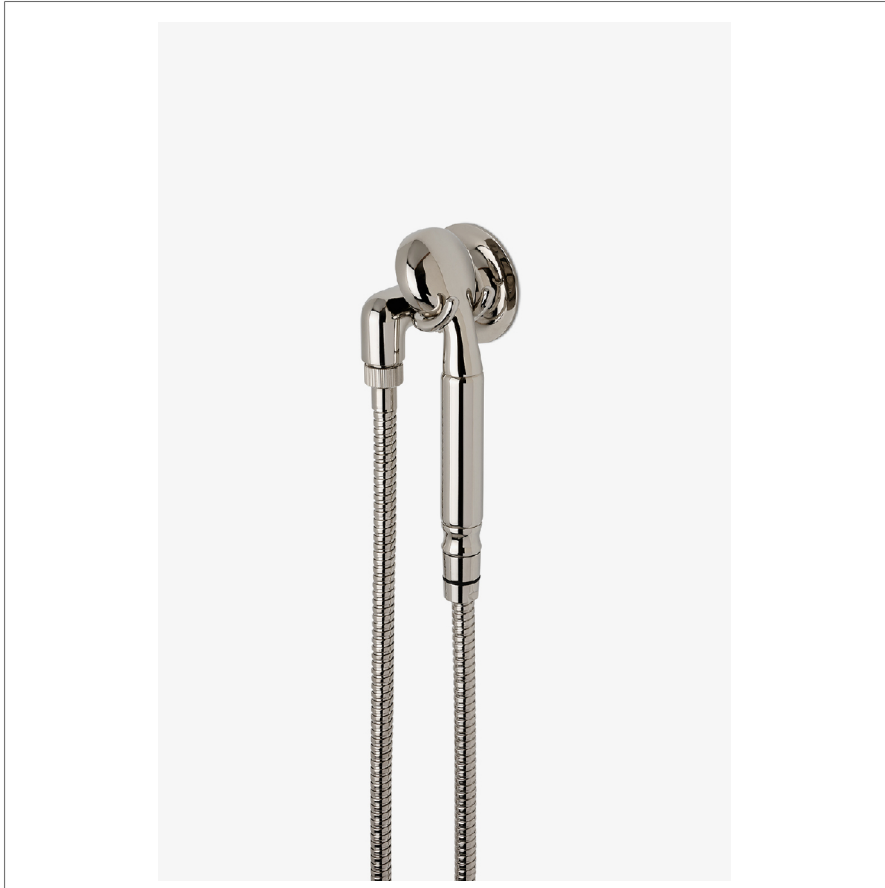


HENRY CHRONOS

CNHS01

Henry Chronos Handshower on Hook



SHOWN IN HENRY CHRONOS HANDSHOWER ON HOOK | CNHS01

TECHNICAL DETAILS

Fittings Hole Diameter: 1 3/8"
Handshower Spray Hose Length: 60"
Inlet Connection Size: 1/2"
Inlet Connection Type: Female NPT & Male BSPP
Pivot: Y
Restricted Maximum Flow Rate: 1.75 gpm
Water Pressure Maximum: 85.0 psi
Water Pressure Minimum: 20.0 psi
Water Pressure Recommended: 45.0 psi

INSPIRATION

Inspired by dive watches, Henry Chronos radiates design prowess and technical precision. Chronos retains the design integrity of our original, iconic Henry collection, while imbuing it with modern details and exquisite materials.

CODES & STANDARDS

ASME A112.18.1/CSA B125.1, Waterworks Handshowers use check valves compliant to ASME A112.18.3 for backflow protection. CEC, State of MA

PRODUCT FEATURES

2" Showerhead

Features a Fixed Spray Pattern

Stocked in Brass, Chrome and Nickel

Showerhead Available in 1.75gpm (6.6L/min) Flow Rate

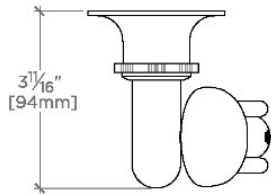
CERTIFICATIONS

PRODUCT (NOTES)

HENRY CHRONOS

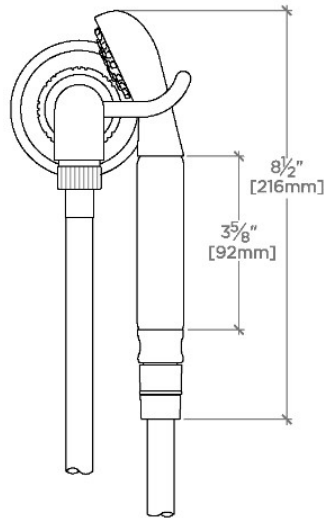
CNHS01

Henry Chronos Handshower on Hook



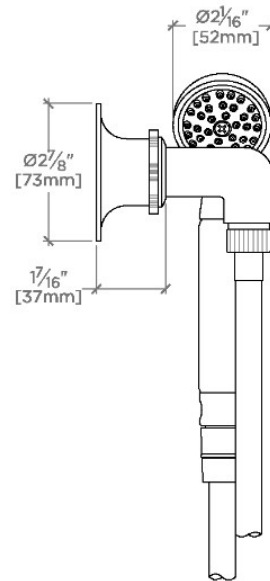
TOP VIEW

SCALE: 3"=1'-0"



FRONT VIEW

SCALE: 3"=1'-0"



SIDE VIEW

SCALE: 3"=1'-0"