

HENRY CHRONOS

CNS380

Henry Chronos 8" Rain Showerhead with 6" Ceiling Mounted Shower Arm



SHOWN IN HENRY CHRONOS 8" RAIN SHOWERHEAD WITH 6" CEILING MOUNTED SHOWER ARM | CNS380

TECHNICAL DETAILS

Fittings Hole Diameter: 1 3/8"
 Flow Restriction Options: 1.5, 1.75, 2.0
 Inlet Connection Size: 1/2"
 Inlet Connection Type: Male NPT
 Pivot: Y
 Restricted Maximum Flow Rate: 1.75 gpm
 Water Pressure Maximum: 85.0 psi
 Water Pressure Minimum: 20.0 psi
 Water Pressure Recommended: 45.0 psi

INSPIRATION

Inspired by dive watches, Henry Chronos radiates design prowess and technical precision. Chronos retains the design integrity of our original, iconic Henry collection, while imbuing it with modern details and exquisite materials.

CODES & STANDARDS

CNS380X, ASME A112.18.1/CSA B125.1, CEC(1.5GPM & 1.75GPM Only), WaterSense(1.5GPM, 1.75GPM & 2.0GPM Only), DOE

PRODUCT FEATURES

Made of Brass

Features a swivel 8" rain showerhead with easy clean rubber nozzles

Includes a 20" wall mounted gooseneck shower arm

Stocked in Brass, Chrome and Nickel

Rain showerhead available in 1.75gpm (6.6L/min) flow rate

CERTIFICATIONS

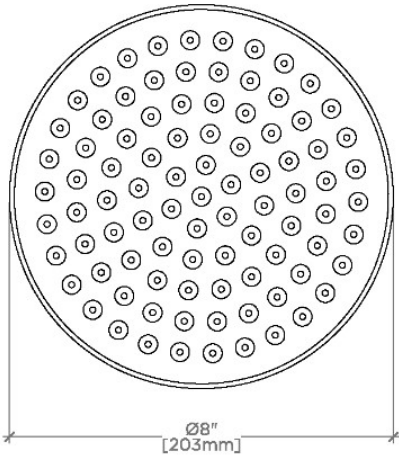


PRODUCT (NOTES)

HENRY CHRONOS

CNS380

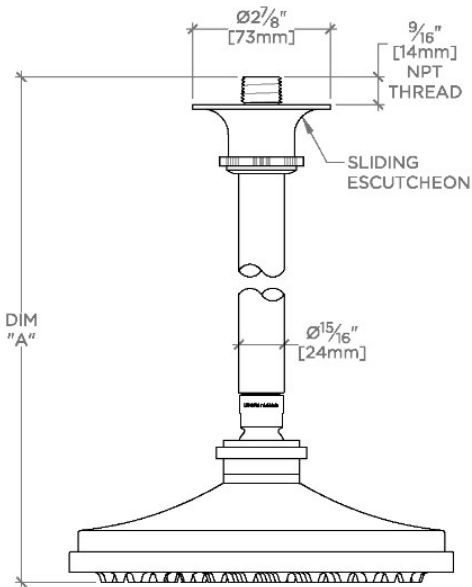
Henry Chronos 8" Rain Showerhead with 6" Ceiling Mounted Shower Arm



CEILING VIEW

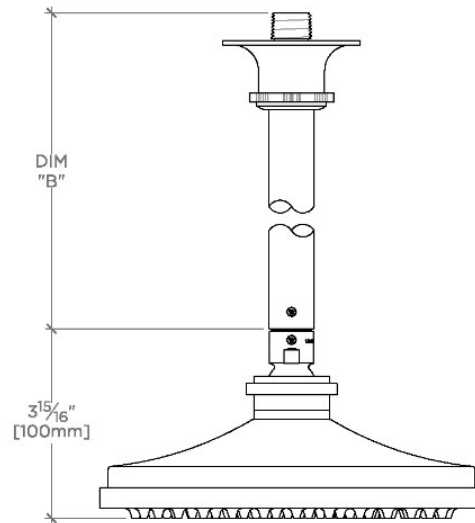
SCALE: 3"=1'-0"

STYLE NO.	DIM "A"	DIM "B"
CNS380	10½" [267mm]	6⁹⁄₁₆" [167mm]
CNS381	16½" [419mm]	12⁹⁄₁₆" [319mm]



FRONT VIEW

SCALE: 3"=1'-0"



SIDE VIEW

SCALE: 3"=1'-0"