

HENRY CHRONOS

CNS335

Henry Chronos 2 3/4" Showerhead with Adjustable Spray with 8" Wall Mounted 45 Degree Shower Arm



SHOWN IN HENRY CHRONOS 2 3/4" SHOWERHEAD WITH ADJUSTABLE SPRAY WITH 8" WALL MOUNTED 45 DEGREE SHOWER ARM | CNS335

TECHNICAL DETAILS

Fittings Hole Diameter: 1 3/8"
 Flow Restriction Options: 1.5, 1.75, 2.0
 Inlet Connection Size: 1/2"
 Inlet Connection Type: Male NPT
 Pivot: Y
 Restricted Maximum Flow Rate: 1.75 gpm
 Water Pressure Maximum: 85.0 psi
 Water Pressure Minimum: 20.0 psi
 Water Pressure Recommended: 45.0 psi

INSPIRATION

Inspired by dive watches, Henry Chronos radiates design prowess and technical precision. Chronos retains the design integrity of our original, iconic Henry collection, while imbuing it with modern details and exquisite materials.

CODES & STANDARDS

CNS335X, ASME A112.18.1/CSA B125.1, CEC(1.5GPM & 1.75GPM Only), WaterSense(1.5GPM, 1.75GPM & 2.0GPM Only), DOE

PRODUCT FEATURES

- Made of Brass
- Features a swivel 2 3/4" showerhead with two adjustable spray patterns
- Includes a 8" wall mounted 45 degree shower arm
- Stocked in Brass, Chrome and Nickel
- Showerhead available in 1.75gpm (6.6L/min) flow rate

CERTIFICATIONS



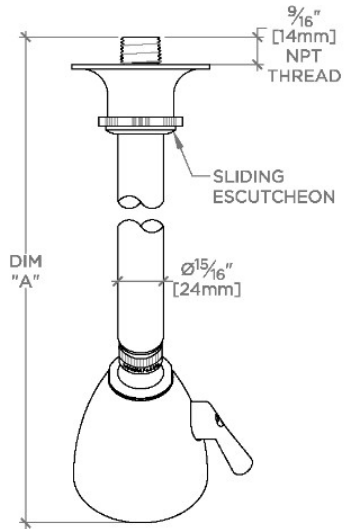
PRODUCT (NOTES)

WATERWORKS

HENRY CHRONOS

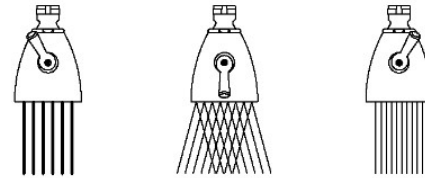
CNS335

Henry Chronos 2 3/4" Showerhead with Adjustable Spray with 8" Wall Mounted 45 Degree Shower Arm

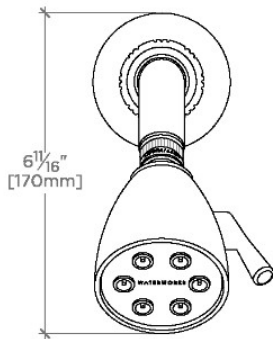


TOP VIEW SCALE: 3"=1'-0"

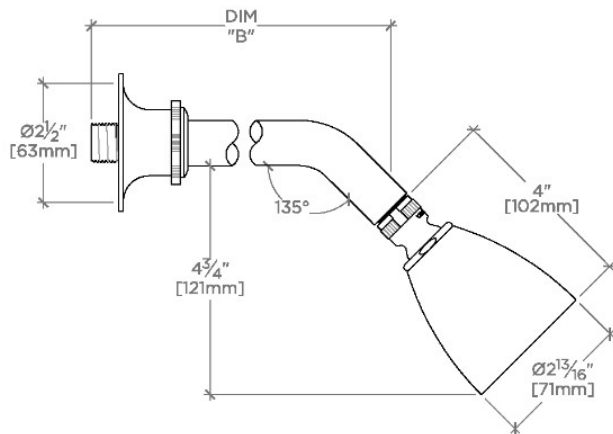
| STYLE NO. | DIM "A" | DIM "B" |
|-----------|------------------|----------------|
| CNS334 | 10 1/16" [256mm] | 6 3/4" [158mm] |
| CNS335 | 12 1/16" [307mm] | 8 1/4" [209mm] |



SPRAY PATTERNS



FRONT VIEW SCALE: 3"=1'-0"



SIDE VIEW SCALE: 3"=1'-0"