

UNIVERSAL

UNMS37

Universal Angle Watercloset Supply Kits 1/2" IPS x 3/8" O.D.
Compression



SHOWN IN UNIVERSAL ANGLE WATERCLOSET SUPPLY KITS 1/2" IPS X 3/8" O.D. COMPRESSION | UNMS37

TECHNICAL DETAILS

Inlet Connection Size: 1/2"
Inlet Connection Type: IPS
Outlet Connection Size: 3/8"
Outlet Connection Type: Compression
Water Pressure Maximum: 85.0 psi
Water Pressure Minimum: 20.0 psi
Water Pressure Recommended: 45.0 psi

INSPIRATION

Our Universal collection features timeless designs complementing any of our Waterworks. With a wide range of product, from fittings to accessories, Universal adds exquisite proportion and balance to any environment.

CODES & STANDARDS

NSF/ANSI/CAN 61:Q < 0.5, ASME A112.18.1/CSA B125.1,
State of MA

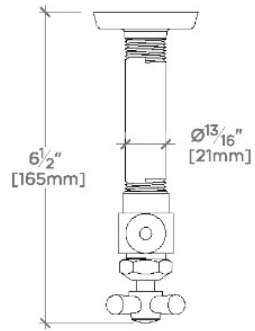
PRODUCT FEATURES

CERTIFICATIONS

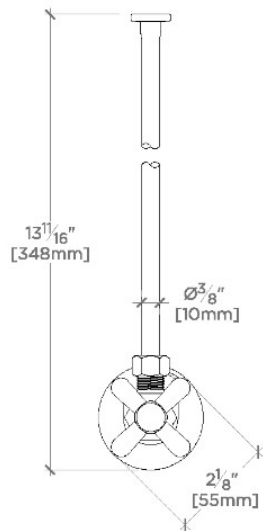


PRODUCT (NOTES)

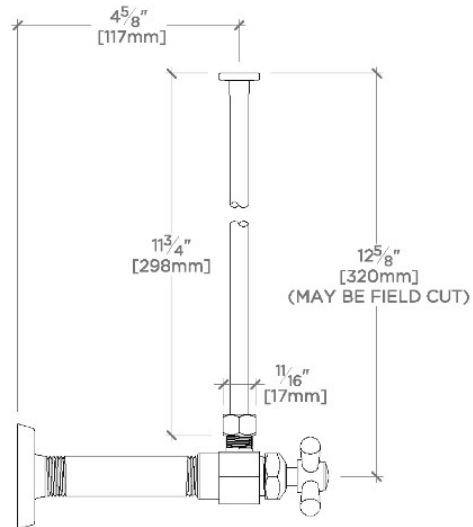
Universal Angle Watercloset Supply Kits 1/2" IPS x 3/8" O.D.
Compression



TOP VIEW SCALE: 3"=1'-0"



FRONT VIEW SCALE: 3"=1'-0"



SIDE VIEW SCALE: 3"=1'-0"