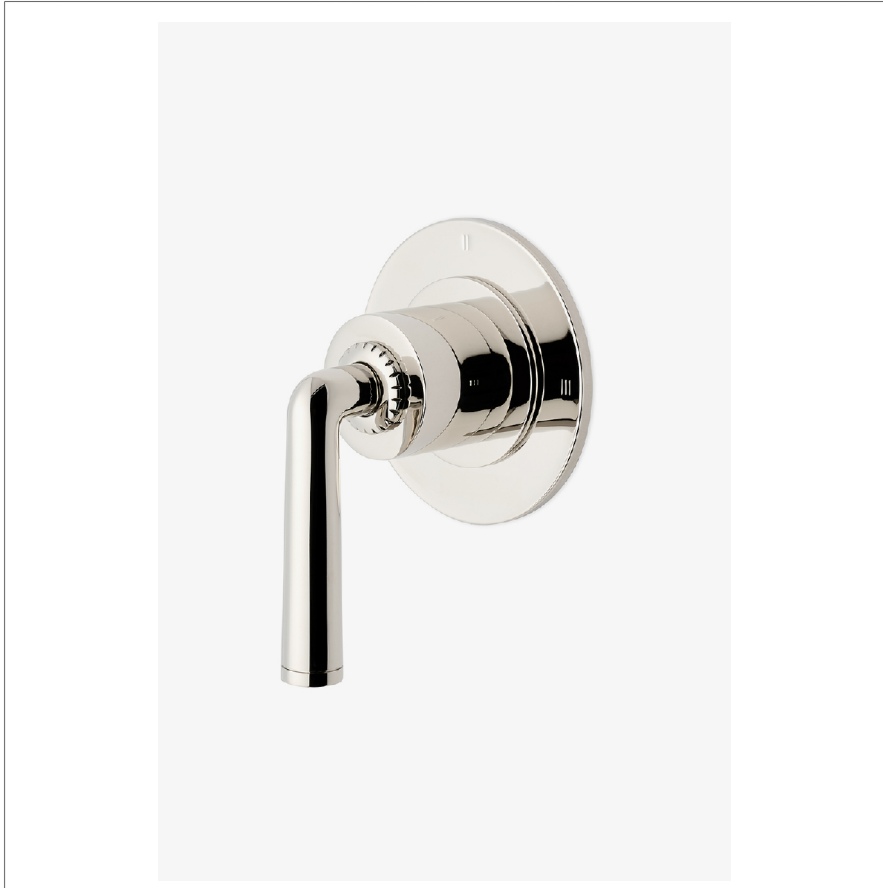


HENRY CHRONOS

CN3P11

Henry Chronos Three Way Diverter Valve Trim for Pressure Balance with Roman Numerals and Lever Handle



SHOWN IN HENRY CHRONOS THREE WAY DIVERTER VALVE TRIM FOR PRESSURE BALANCE WITH ROMAN NUMERALS AND LEVER HANDLE | CN3P11

TECHNICAL DETAILS

Fittings Hole Diameter: 2 1/2"
 Handle Turn Angle: Quarter Turn Each Way
 Number Of Holes: One Hole
 Primary Material: Brass

INSPIRATION

Inspired by dive watches, Henry Chronos radiates design prowess and technical precision. Chronos retains the design integrity of our original, iconic Henry collection, while imbuing it with modern details and exquisite materials.

CODES & STANDARDS

ASME A112.18.1/CSA B125.1, State of MA

PRODUCT FEATURES

Features All Metal Lever Handle

For Use With a Pressure Balance Shower System and Three Waterway Outlets

Features Roman Numerals Representing Outlet Position

Stocked in Brass, Chrome and Nickel

□ Requires valve rough GUDV3P(US) or GU65DV(UK) sold separately

CERTIFICATIONS

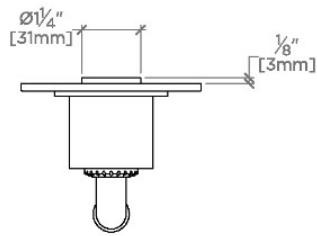


PRODUCT (NOTES)

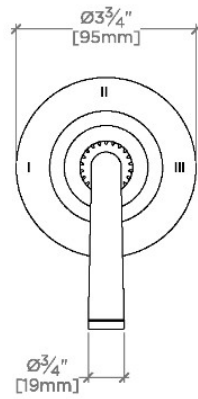
HENRY CHRONOS

CN3P11

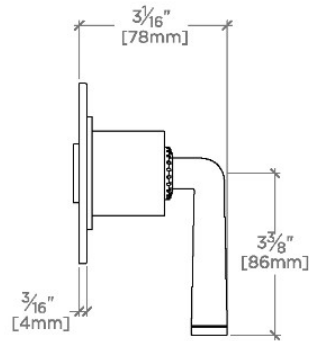
Henry Chronos Three Way Diverter Valve Trim for Pressure Balance with Roman Numerals and Lever Handle



TOP VIEW SCALE: 3"=1'-0"



FRONT VIEW SCALE: 3"=1'-0"



SIDE VIEW SCALE: 3"=1'-0"