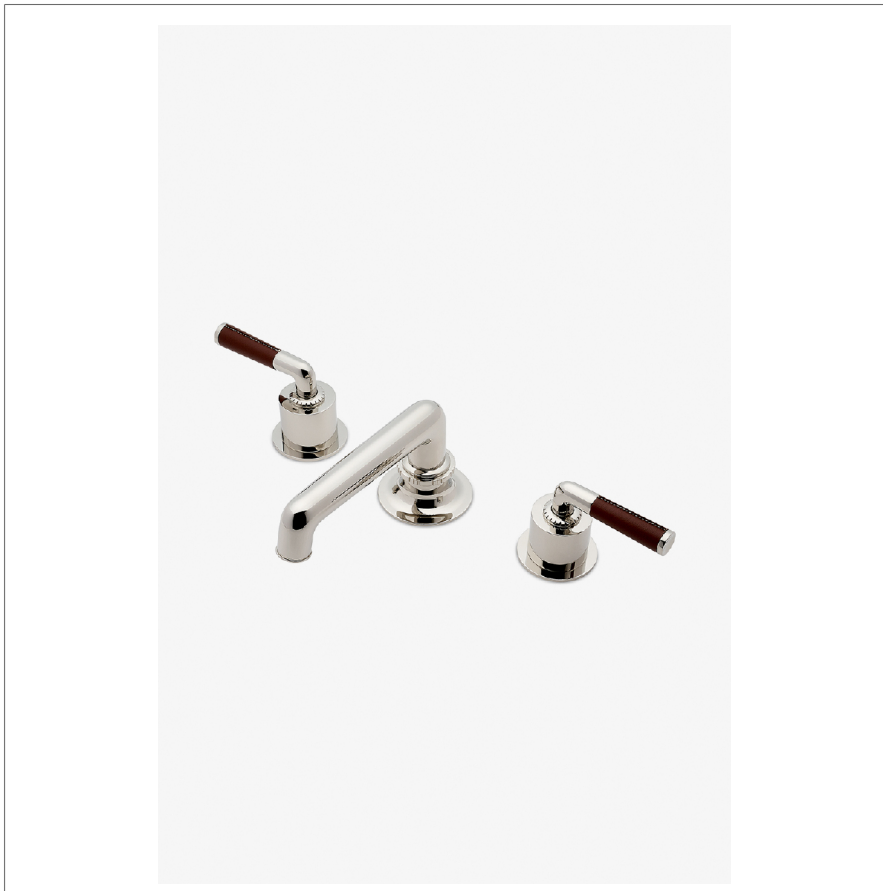


HENRY CHRONOS

CLS115

Henry Chronos Lavatory Faucet with Leather Lever Handles



SHOWN IN HENRY CHRONOS LAVATORY FAUCET WITH LEATHER LEVER HANDLES | CLS115

TECHNICAL DETAILS

Deck Thickness Maximum: 1 9/16"
 Deck Thickness Minimum: 5/16"
 Drain Depth Maximum: 2"
 Drain Depth Minimum: 3/8"
 Drain Hole Diameter: 1 1/2"
 Drain Style: Push Touch
 Fittings Hole Diameter: 1 3/8"
 Handle Spread Maximum: 12"
 Handle Spread Minimum: 8"
 Handle Turn Angle: Quarter Turn
 Inlet Connection Size: 1/2"
 Inlet Connection Type: Male with Supply Nut
 Number Of Holes: Three Hole
 Primary Material: Brass
 Restricted Maximum Flow Rate: 1.2 gpm
 Spout Swivel: N
 Valve Material: Brass and Ceramic
 Water Pressure Maximum: 85.0 psi
 Water Pressure Minimum: 20.0 psi
 Water Pressure Recommended: 45.0 psi

INSPIRATION

Inspired by dive watches, Henry Chronos radiates design prowess and technical precision. Chronos retains the design integrity of our original, iconic Henry collection, while imbuing it with modern details and exquisite materials.

CODES & STANDARDS

NSF/ANSI/CAN 61:Q < 1, ASME A112.18.1/CSA B125.1, CEC, DOE, State of MA

PRODUCT FEATURES

Features Leather Lever Handles

Includes a Universal Push Touch Drain Sized to Fit US and Euro Sink Drain Openings

Stocked in Brass, Chrome and Nickel

Available in 1.2gpm (4.5L/min) Flow Rate

CERTIFICATIONS



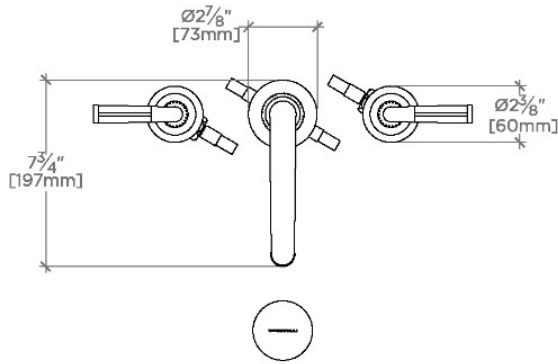
PRODUCT (NOTES)

WATERWORKS

HENRY CHRONOS

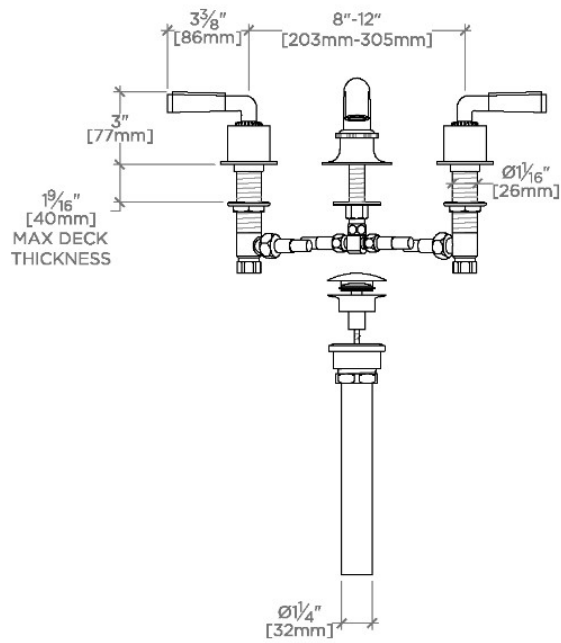
CLS115

Henry Chronos Lavatory Faucet with Leather Lever Handles



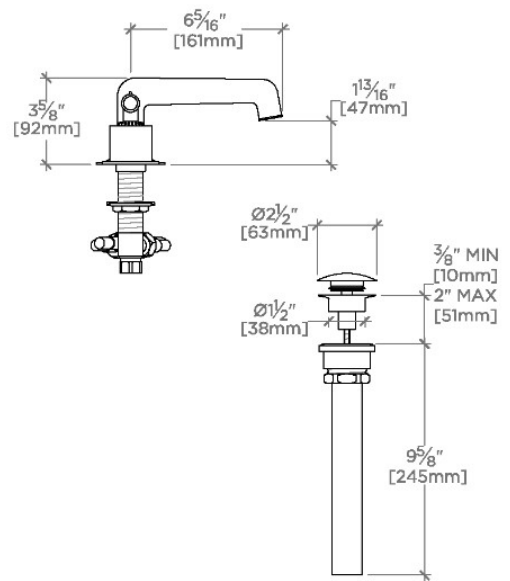
TOP VIEW

SCALE: 1/2"=1'-0"



FRONT VIEW

SCALE: 1/2"=1'-0"



SIDE VIEW

SCALE: 1/2"=1'-0"