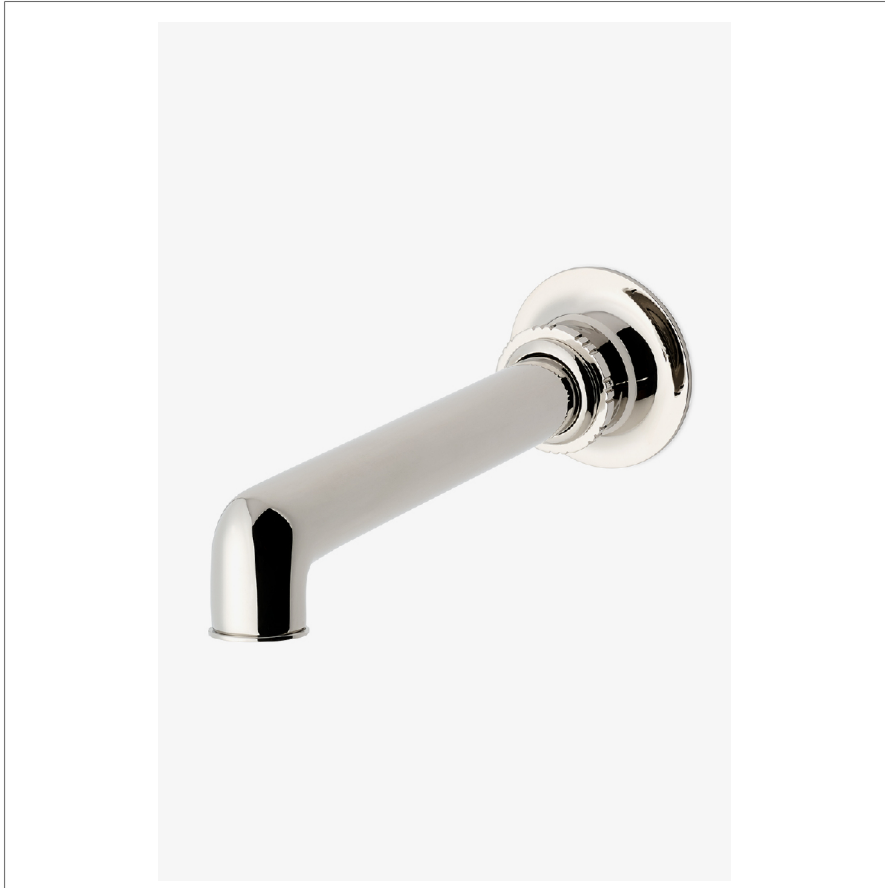


## HENRY CHRONOS

CNTS01

Henry Chronos Wall Mounted Tub Spout



SHOWN IN HENRY CHRONOS WALL MOUNTED TUB SPOUT | CNTS01

### TECHNICAL DETAILS

Fittings Hole Diameter: 1 3/8"  
Inlet Connection Size: 1/2"  
Inlet Connection Type: Female NPT and Male BSPP  
Number Of Holes: One Hole  
Primary Material: Brass  
Water Pressure Maximum: 85.0 psi  
Water Pressure Minimum: 20.0 psi  
Water Pressure Recommended: 45.0 psi

### INSPIRATION

Inspired by dive watches, Henry Chronos radiates design prowess and technical precision. Chronos retains the design integrity of our original, iconic Henry collection, while imbuing it with modern details and exquisite materials.

### CODES & STANDARDS

ASME A112.18.1/CSA B125.1

### PRODUCT FEATURES

Wall Mounted

Stocked in Brass, Chrome and Nickel

Unrestricted Flow

### CERTIFICATIONS

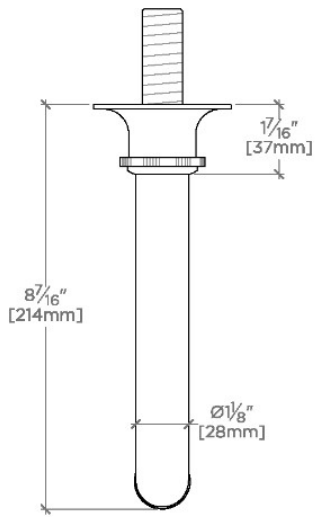


### PRODUCT (NOTES)

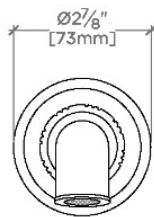
## HENRY CHRONOS

CNTS01

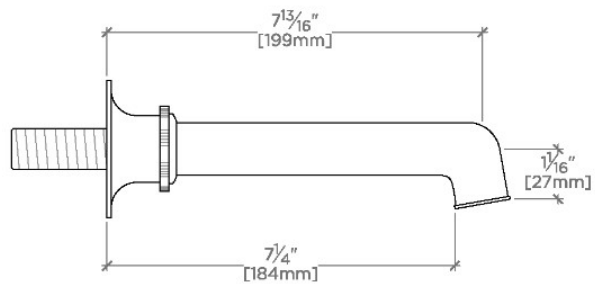
Henry Chronos Wall Mounted Tub Spout



TOP VIEW SCALE: 3"=1'-0"



FRONT VIEW SCALE: 3"=1'-0"



SIDE VIEW SCALE: 3"=1'-0"