

HENRY

HTH501

Henry Integrated Thermostatic and Three Way Diverter Trim with Cross Handles



SHOWN IN HENRY INTEGRATED THERMOSTATIC AND THREE WAY DIVERTER TRIM WITH CROSS HANDLES | HTH501

TECHNICAL DETAILS

Fittings Hole Diameter: 2 1/2"
Integrated Diverter: Y
Number Of Holes: Two Hole
Primary Material: Brass

INSPIRATION

Influenced by the connection of industry and art Henry easily transitions between modern, traditional, utilitarian and classic settings.

CODES & STANDARDS

ASME A112.18.1/CSA B125.1, State of MA

PRODUCT FEATURES

Features Cross Handles

Allows bather to adjust temperature of all waterway outlets with a hot limit safety stop providing anti-scald protection

Stocked in Brass, Chrome, Nickel and Dark Nickel

Requires rough valve, sold separately: GUTH73 (USA) or GU73TH (UK/International)

CERTIFICATIONS

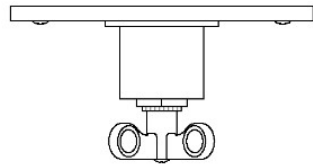


PRODUCT (NOTES)

HENRY

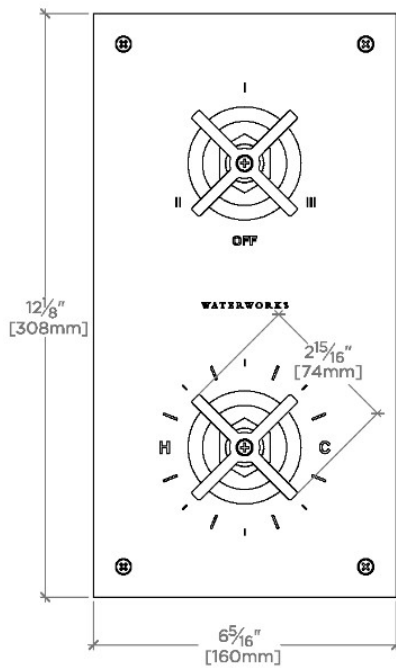
HTH501

Henry Integrated Thermostatic and Three Way Diverter Trim with Cross Handles



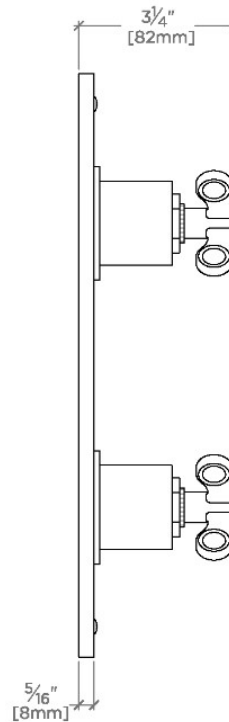
TOP VIEW

SCALE: 3"=1'-0"



FRONT VIEW

SCALE: 3"=1'-0"



SIDE VIEW

SCALE: 3"=1'-0"