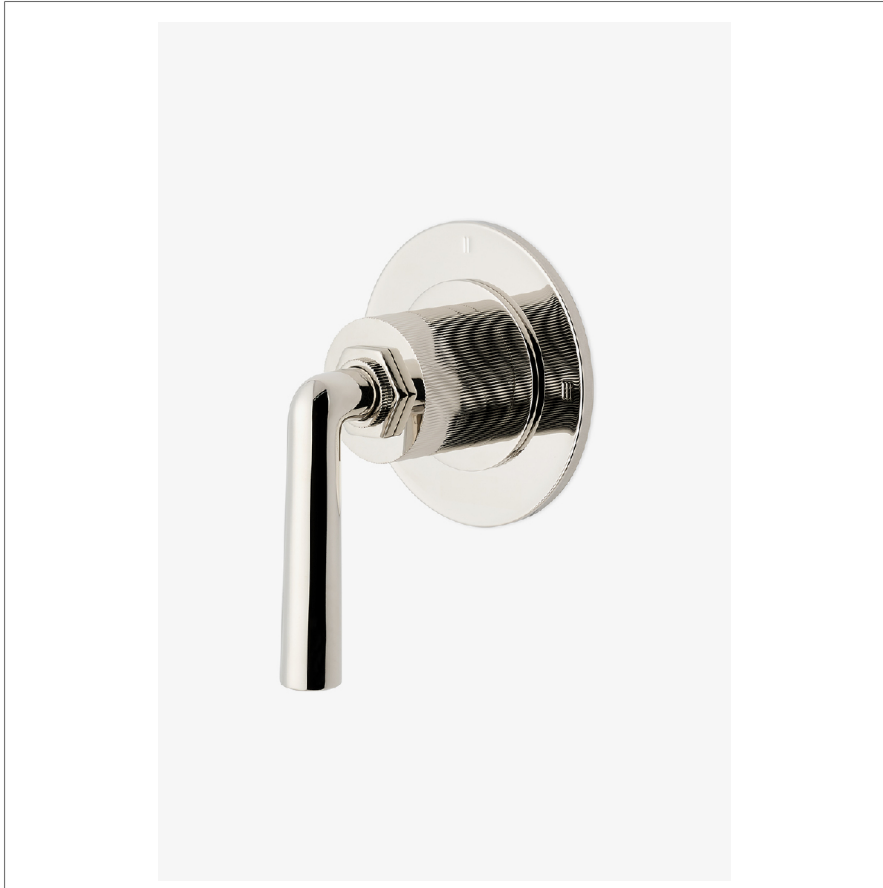


## HENRY

## HN3P13

Henry Three Way Diverter Valve Trim for Pressure Balance  
with Roman Numerals and Coin Edge Lever Handle



SHOWN IN HENRY THREE WAY DIVERTER VALVE TRIM FOR PRESSURE BALANCE WITH ROMAN NUMERALS AND COIN EDGE LEVER HANDLE | HN3P13

### TECHNICAL DETAILS

Fittings Hole Diameter: 2 1/2"  
Handle Turn Angle: Quarter Turn Each Way  
Number Of Holes: One Hole  
Primary Material: Brass

### INSPIRATION

Influenced by the connection of industry and art Henry easily transitions between modern, traditional, utilitarian and classic settings.

### CODES & STANDARDS

ASME A112.18.1/CSA B125.1, State of MA

### PRODUCT FEATURES

Features Coin Edge Lever Handle

For Use With a Pressure Balance Shower System and Three Waterway Outlets

Features Roman Numerals Representing Outlet Position

Stocked in Brass, Chrome, Nickel and Dark Nickel

Requires rough valve, sold Separately: GUDV3P (USA) or GU65DV (UK/International)

### CERTIFICATIONS

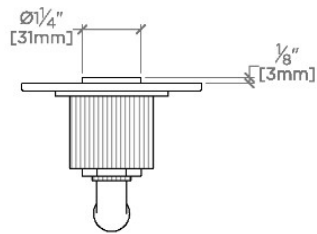


### PRODUCT (NOTES)

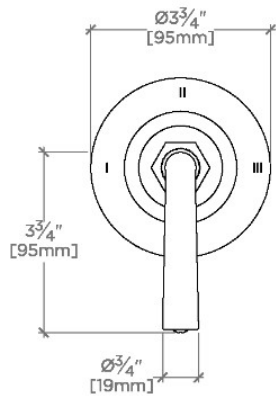
## HENRY

HN3P13

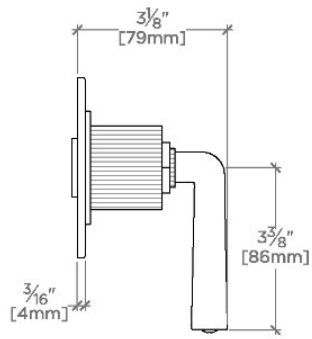
Henry Three Way Diverter Valve Trim for Pressure Balance  
with Roman Numerals and Coin Edge Lever Handle



TOP VIEW SCALE: 3"=1'-0"



FRONT VIEW SCALE: 3"=1'-0"



SIDE VIEW SCALE: 3"=1'-0"