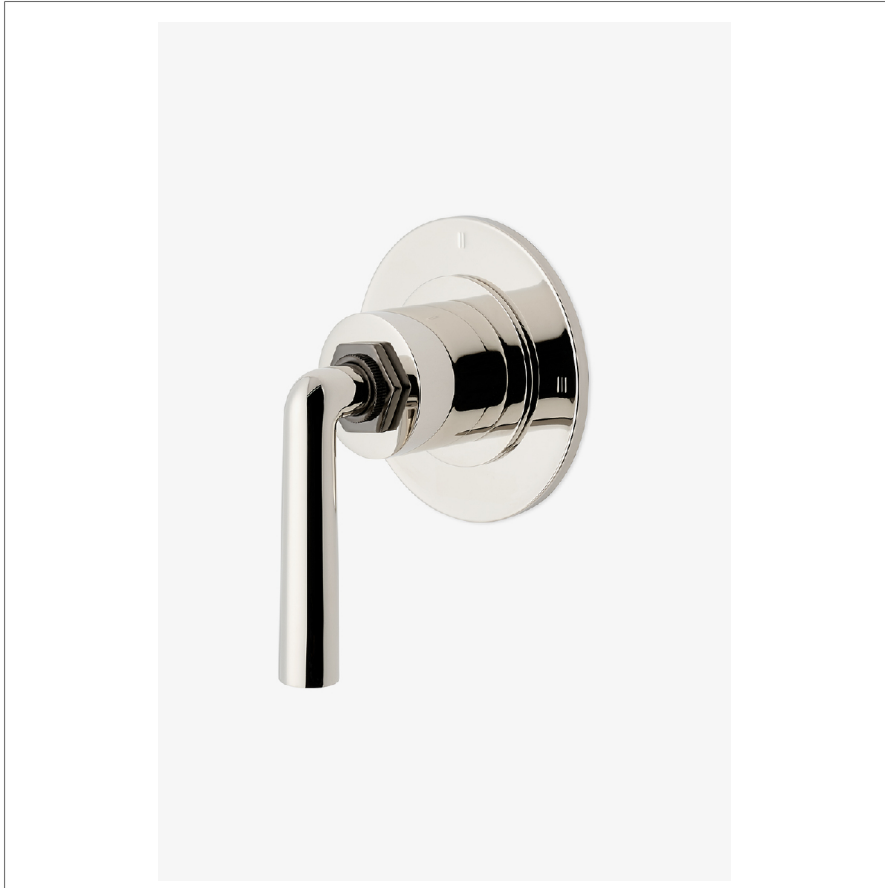


HENRY

HN3P12

Henry Three Way Diverter Valve Trim for Pressure Balance
with Roman Numerals and Two-Tone Lever Handle



SHOWN IN HENRY THREE WAY DIVERTER VALVE TRIM FOR PRESSURE BALANCE WITH ROMAN NUMERALS AND TWO-TONE LEVER HANDLE | HN3P12

TECHNICAL DETAILS

Fittings Hole Diameter: 2 1/2"
Handle Turn Angle: Quarter Turn Each Way
Number Of Holes: One Hole
Primary Material: Brass

INSPIRATION

Influenced by the connection of industry and art Henry easily transitions between modern, traditional, utilitarian and classic settings.

CODES & STANDARDS

ASME A112.18.1/CSA B125.1, State of MA

PRODUCT FEATURES

Features Two-Toned Lever Handle

For Use With a Pressure Balance Shower System and Three Waterway Outlets

Features Roman Numerals Representing Outlet Position

Stocked in Brass/Dark Nickel and Nickel/Dark Nickel

Requires rough valve, sold Separately: GUDV3P (USA) or GU65DV (UK/International)

CERTIFICATIONS

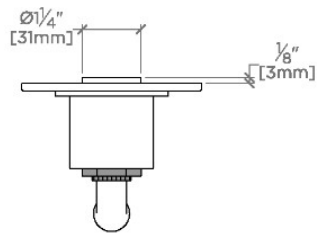


PRODUCT (NOTES)

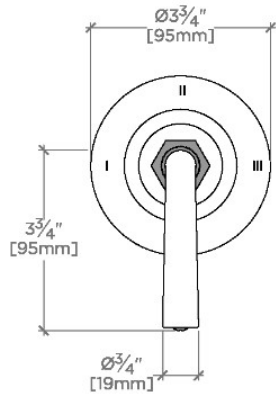
HENRY

HN3P12

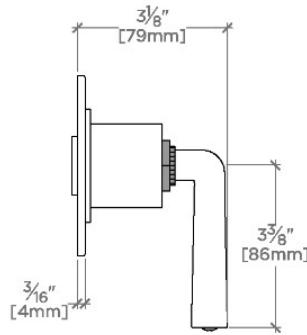
Henry Three Way Diverter Valve Trim for Pressure Balance
with Roman Numerals and Two-Tone Lever Handle



TOP VIEW SCALE: 3"=1'-0"



FRONT VIEW SCALE: 3"=1'-0"



SIDE VIEW SCALE: 3"=1'-0"