

UNIVERSAL

UNLD23

Universal Push-Touch Lavatory Drain



SHOWN IN UNIVERSAL PUSH-TOUCH LAVATORY DRAIN | UNLD23

TECHNICAL DETAILS

INSPIRATION

Our Universal collection features timeless designs complementing any of our Waterworks. With a wide range of product, from fittings to accessories, Universal adds exquisite proportion and balance to any environment.

CODES & STANDARDS

ASME A112.18.2-2020/CSA B125.2-20

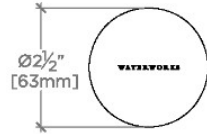
PRODUCT FEATURES

CERTIFICATIONS



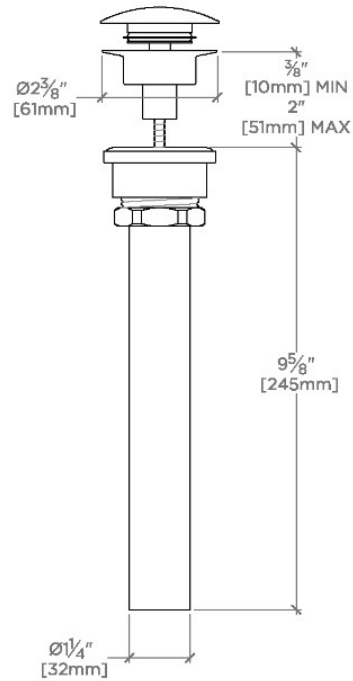
PRODUCT (NOTES)

Universal Push-Touch Lavatory Drain



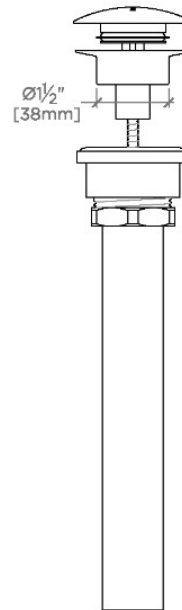
TOP VIEW

SCALE: 3"=1'-0"



FRONT VIEW

SCALE: 3"=1'-0"



SIDE VIEW

SCALE: 3"=1'-0"