

DASH

DSS380

Dash 8" Rain Showerhead with 6" Ceiling Mounted Shower Arm



SHOWN IN DASH 8" RAIN SHOWERHEAD WITH 6" CEILING MOUNTED SHOWER ARM | DSS380

TECHNICAL DETAILS

Adjustable Versus Fixed Spray: Fixed
Fittings Hole Diameter: 1 1/4"
Inlet Connection Size: 1/2"
Inlet Connection Type: Male NPT
Pivot: Y
Primary Material: Brass
Restricted Maximum Flow Rate: 1.75 gpm
Water Pressure Maximum: 85.0 psi
Water Pressure Minimum: 20.0 psi
Water Pressure Recommended: 45.0 psi

INSPIRATION

A blend of art and function, Dash pays homage to design elements of the 1930s with pared-down shapes, softened curves and minimal details.

CODES & STANDARDS

PRODUCT FEATURES

Made of Brass

Features a swivel 8" rain showerhead with easy clean rubber nozzles

Includes a 6" ceiling mounted shower arm

Stocked in Brass, Chrome, Nickel and Matte Nickel

Rain showerhead available in 1.75gpm (6.6L/min) flow rate

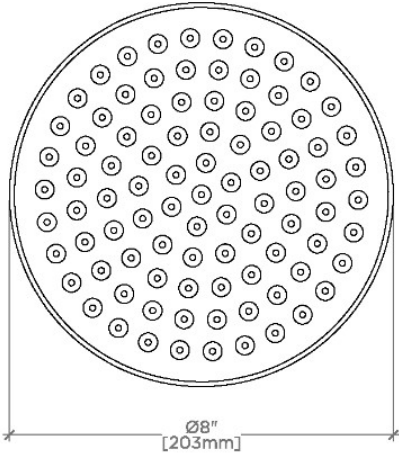
CERTIFICATIONS

PRODUCT (NOTES)

DASH

DSS380

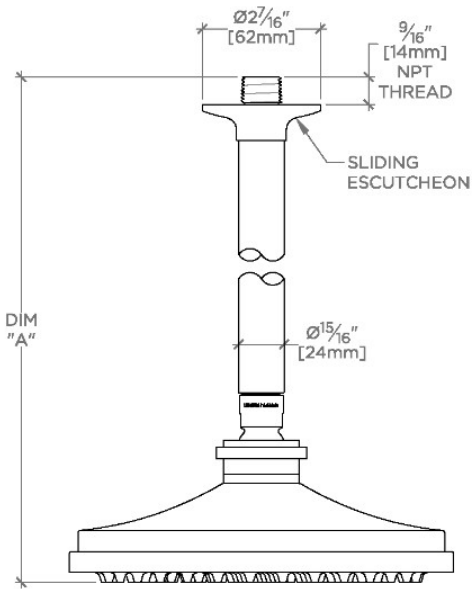
Dash 8" Rain Showerhead with 6" Ceiling Mounted Shower Arm



CEILING VIEW

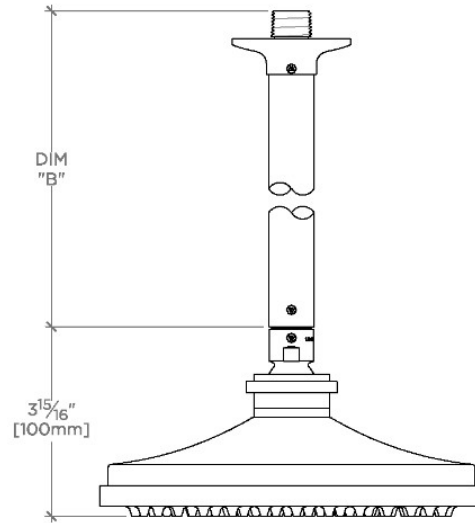
SCALE: 3"=1'-0"

STYLE NO.	DIM "A"	DIM "B"
DSS380	10½" [267mm]	6⁹⁄₁₆" [167mm]
HGS380		
RRS380		
DSS381	16½" [420mm]	12⁹⁄₁₆" [319mm]
HGS381		
RRS381		



FRONT VIEW

SCALE: 3"=1'-0"



SIDE VIEW

SCALE: 3"=1'-0"