

EASTON

EAS129

Easton 12" Rain Showerhead with 22" Wall Mounted 90 Degree Shower Arm



SHOWN IN EASTON 12" RAIN SHOWERHEAD WITH 22" WALL MOUNTED 90 DEGREE SHOWER ARM | EAS129

TECHNICAL DETAILS

Adjustable Versus Fixed Spray: Fixed
Fittings Hole Diameter: 1 1/4"
Inlet Connection Size: 1/2"
Inlet Connection Type: Male NPT
Pivot: Y
Primary Material: Brass
Restricted Maximum Flow Rate: 1.75 gpm
Water Pressure Maximum: 85.0 psi
Water Pressure Minimum: 20.0 psi
Water Pressure Recommended: 45.0 psi

INSPIRATION

Drawing on Edwardian style, Easton is the most extensive Waterworks family; a range of moods and a selection of products from fittings to furniture.

CODES & STANDARDS

PRODUCT FEATURES

Made of Brass

Features a swivel 12" rain showerhead with easy clean rubber nozzles

Includes a 22" wall mounted 90 degree shower arm

Stocked in Brass, Chrome and Nickel

Rain showerhead available in 1.75gpm (6.6L/min) flow rate

CERTIFICATIONS

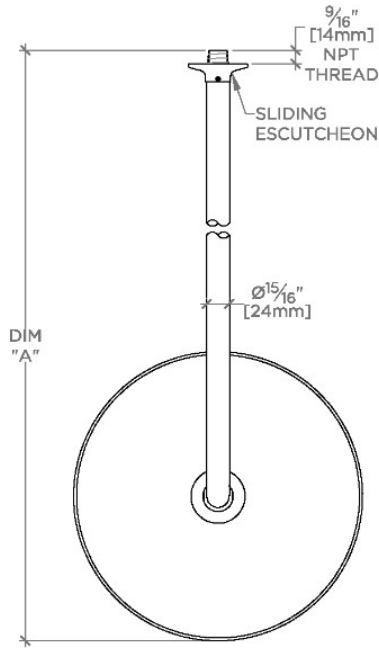
PRODUCT (NOTES)

WATERWORKS

EASTON

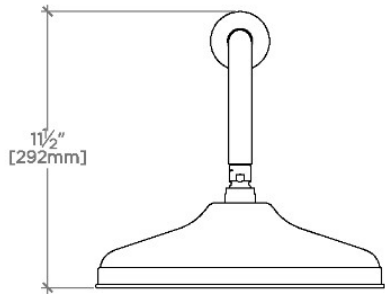
EAS129

Easton 12" Rain Showerhead with 22" Wall Mounted 90 Degree Shower Arm

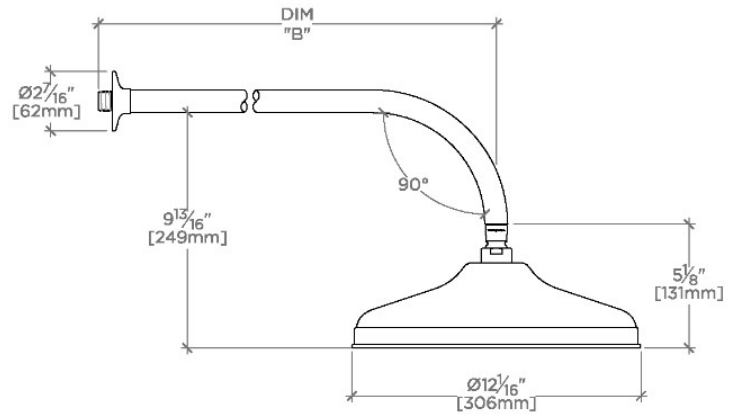


TOP VIEW SCALE: 1/2"=1'-0"

| STYLE NO. | DIM "A" | DIM "B" |
|-----------|---|--|
| EAS128 | 24 ⁵ / ₈ " [625mm] | 18 ⁹ / ₁₆ " [472mm] |
| OPS128 | | |
| EAS129 | 28 ⁵ / ₈ " [726mm] | 22 ⁹ / ₁₆ " [573mm] |
| OPS129 | | |



FRONT VIEW SCALE: 1/2"=1'-0"



SIDE VIEW SCALE: 1/2"=1'-0"