

EASTON

EAS166

Easton 6" Showerhead with 10" Wall Mounted 45 Degree Shower Arm



SHOWN IN EASTON 6" SHOWERHEAD WITH 10" WALL MOUNTED 45 DEGREE SHOWER ARM | EAS166

TECHNICAL DETAILS

Adjustable Versus Fixed Spray: Fixed
Fittings Hole Diameter: 1 1/4"
Inlet Connection Size: 1/2"
Inlet Connection Type: Male NPT
Pivot: Y
Primary Material: Brass
Restricted Maximum Flow Rate: 1.75 gpm
Water Pressure Maximum: 85.0 psi
Water Pressure Minimum: 20.0 psi
Water Pressure Recommended: 45.0 psi

INSPIRATION

Drawing on Edwardian style, Easton is the most extensive Waterworks family; a range of moods and a selection of products from fittings to furniture.

CODES & STANDARDS

PRODUCT FEATURES

Made of Brass

Features a swivel 6" showerhead with easy clean rubber nozzles

Includes a 10" wall mounted 45 degree shower arm

Stocked in Brass, Chrome and Nickel

Showerhead available in 1.75gpm (6.6L/min) flow rate

CERTIFICATIONS

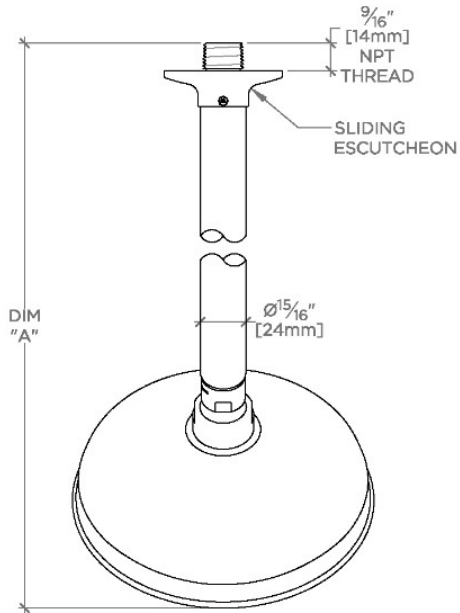
PRODUCT (NOTES)

WATERWORKS

EASTON

EAS166

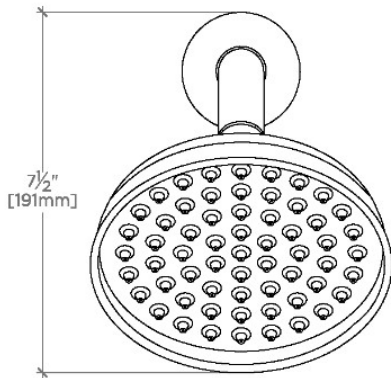
Easton 6" Showerhead with 10" Wall Mounted 45 Degree Shower Arm



TOP VIEW

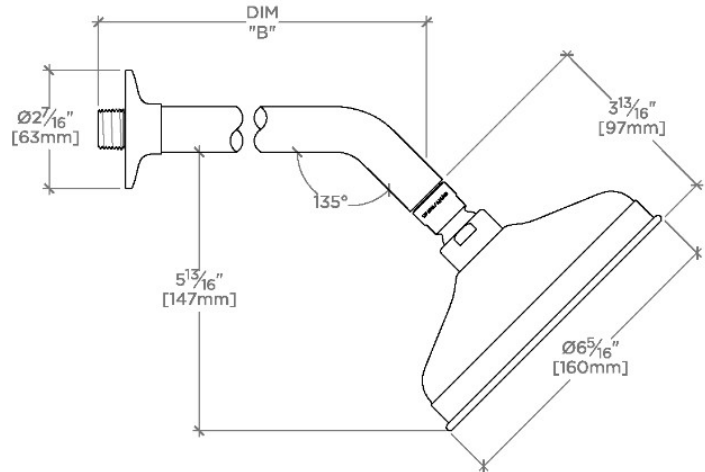
SCALE: 3"=1'-0"

STYLE NO.	DIM "A"	DIM "B"
EAS165	13 1/8" [334mm]	8 1/4" [209mm]
OPS165		
EAS166	15 1/8" [384mm]	10 1/4" [260mm]
OPS166		



FRONT VIEW

SCALE: 3"=1'-0"



SIDE VIEW

SCALE: 3"=1'-0"