

UNIVERSAL

USHR10

Universal Recessed 10" Round Rain Showerhead with Circular Spray Pattern



SHOWN IN UNIVERSAL RECESSED 10" ROUND RAIN SHOWERHEAD WITH CIRCULAR SPRAY PATTERN | USHR10

TECHNICAL DETAILS

Adjustable Versus Fixed Spray: Fixed Spray
Fittings Hole Diameter: 8 1/16"
Inlet Connection Size: 1/2"
Inlet Connection Type: Female Hose
Pivot: N
Primary Material: Brass
Restricted Maximum Flow Rate: 1.75 gpm
Water Pressure Maximum: 85.0 psi
Water Pressure Minimum: 20.0 psi
Water Pressure Recommended: 45.0 psi

INSPIRATION

Our Universal collection features timeless designs complementing any of our Waterworks. With a wide range of product, from fittings to accessories, Universal adds exquisite proportion and balance to any environment.

CODES & STANDARDS

PRODUCT FEATURES

Made of Brass

10" ceiling mounted rain showerhead

Easy clean rubber nozzles prevent calcium buildup

Stocked in Brass, Chrome and Nickel

Showerhead available in 1.75gpm (6.6L/min) flow rate

CERTIFICATIONS

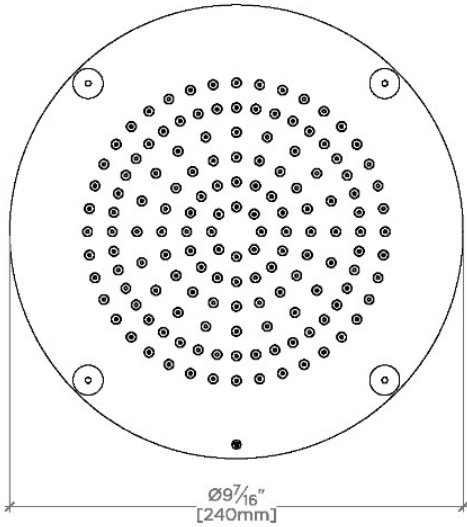
PRODUCT (NOTES)

WATERWORKS

UNIVERSAL

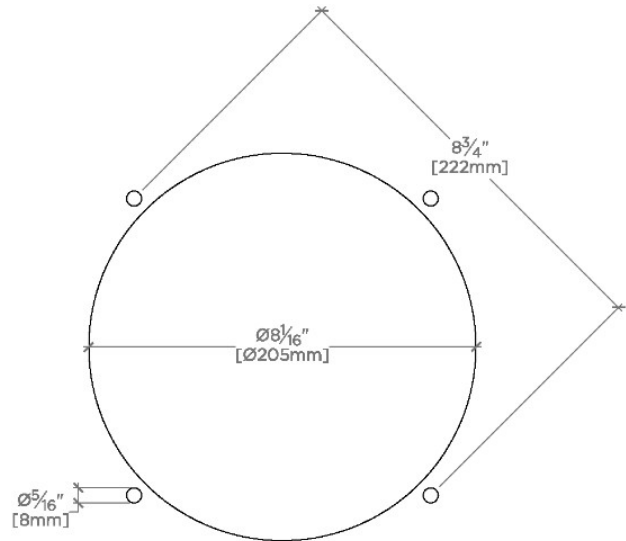
USHR10

Universal Recessed 10" Round Rain Showerhead with
Circular Spray Pattern



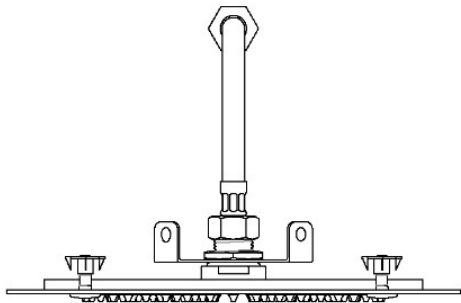
CEILING VIEW

SCALE: 3"=1'-0"



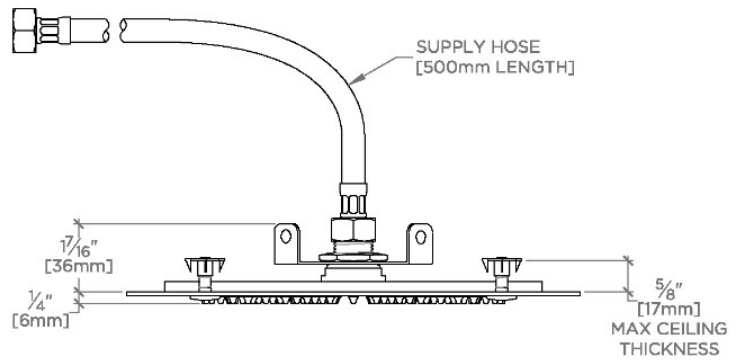
CUTOUT VIEW

SCALE: 3"=1'-0"



FRONT VIEW

SCALE: 3"=1'-0"



SIDE VIEW

SCALE: 3"=1'-0"