

ViaWorks 1/2" Thermostatic Valve



SHOWN IN VIAWORKS 1/2" THERMOSTATIC VALVE | GUTH60

TECHNICAL DETAILS

Fittings Hole Diameter: 2 1/2"
Inlet Connection Size: 1/2"
Inlet Connection Type: Male NPT
Outlet Connection Size: 1/2"
Outlet Connection Type: Male NPT
Primary Material: Brass
Valve Material: Wax Element
Water Pressure Maximum: 85.0 psi
Water Pressure Minimum: 20.0 psi
Water Pressure Recommended: 45.0 psi

INSPIRATION

The ViaWorks collection encompasses all Waterworks valves, which are just as impeccably engineered as our legendary fittings and the finest the industry has to offer in terms of performance, features and functionality. ViaWorks valves are engineered with more than three generations of bath and kitchen expertise, each with installers and lifelong service in mind.

CODES & STANDARDS

PRODUCT FEATURES

Integrated anti-scald protection.

1/2" NPT Connections, color and engraved marking to identify hot and cold water connections

6 gpm (gallons per minute) unrestricted maximum flow at 60 psi

Flows water to up to two shower components simultaneously

Made in Europe of Brass Construction

CERTIFICATIONS

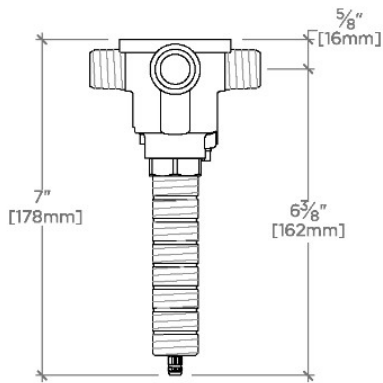
PRODUCT (NOTES)

WATERWORKS

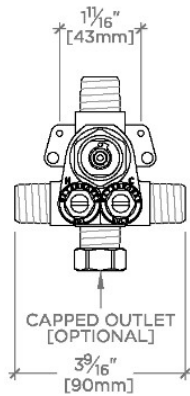
VIAWORKS

GUTH60

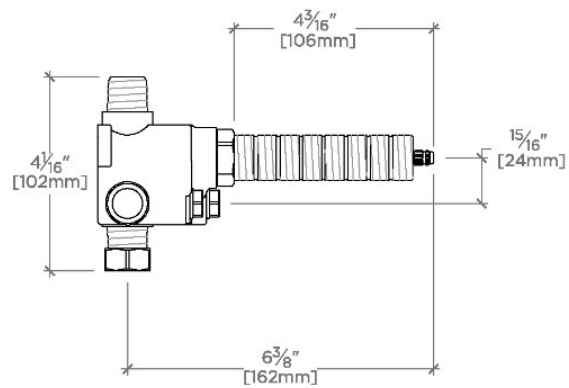
ViaWorks 1/2" Thermostatic Valve



TOP VIEW SCALE: 3"=1'-0"



FRONT VIEW SCALE: 3"=1'-0"



SIDE VIEW SCALE: 3"=1'-0"