

## EASTON

EALS66

Easton Vintage Low Profile Three Hole Wall Mounted Lavatory Faucet with Elongated Spout and Metal Cross Handles



SHOWN IN EASTON VINTAGE LOW PROFILE THREE HOLE WALL MOUNTED LAVATORY FAUCET WITH ELONGATED SPOUT AND METAL CROSS HANDLES | EALS66

### TECHNICAL DETAILS

ADA Compliance: Yes  
 Adjustable Versus Fixed Spray: Fixed Spray  
 Depth/Width: 6 1/2"  
 Drain Assembly Materials: Brass  
 Drain Depth Maximum: 2 3/4"  
 Drain Depth Minimum: 1"  
 Drain Hole Diameter: 1 3/4"  
 Drain Style: Lift and Turn  
 Escutcheon Primary Material: Brass  
 Fittings Hole Diameter: 1 3/8"  
 Flow Restriction Options: 1.2  
 Handle Spread Maximum: 8"  
 Handle Spread Minimum: 8"  
 Handle Turn Angle: Quarter Turn  
 Height: 3"  
 Index Color Finish And Material: White Porcelain  
 Index Marking: Hot/Cold  
 Inlet Connection Size: 1/2"  
 Inlet Connection Type: Male NPT  
 Inlet Supply Spread Maximum: 8"  
 Inlet Supply Spread Minimum: 8"  
 Installation Type: Wall Mounted  
 Length: 15"  
 Number Of Handles: Two  
 Number Of Holes: Three Hole  
 Primary Material: Brass  
 Restricted Maximum Flow Rate: 1.2 gpm  
 Spout Swivel: N  
 Suggested Application: Bath  
 Valve Material: Ceramic  
 Water Pressure Maximum: 85.0 psi  
 Water Pressure Minimum: 20.0 psi  
 Water Pressure Recommended: 45.0 psi

### INSPIRATION

Drawing on Edwardian style, Easton is the most extensive Waterworks family; a range of moods and a selection of products from fittings to furniture.

### CODES & STANDARDS

EALS66X, NSF/ANSI/CAN 61:Q < 1, NSF/ANSI/CAN 372, ASME A112.18.1/CSA B125.1, CEC, DOE

### PRODUCT FEATURES

Brass metal is used for all trim and valve components

The manufacturing process encompasses casting, turning, forging, hand-fitting and hand polishing.

Easton is our most comprehensive fittings family.

Easton has a clean-lined utilitarian profile, with a slightly elongated spout.

Available in 1.2gpm (4.5L/min) flow rate

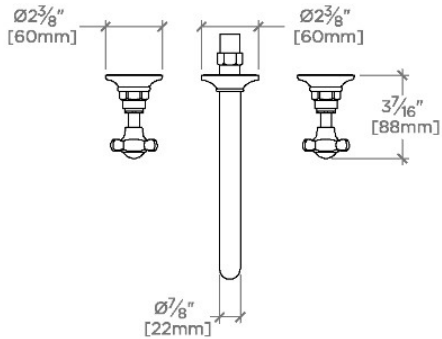
### CERTIFICATIONS



### PRODUCT (NOTES)

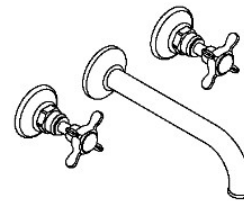
Sold with European style drain; USA style drain sold separately for use with non-Waterworks sinks.

Easton Vintage Low Profile Three Hole Wall Mounted Lavatory Faucet with Elongated Spout and Metal Cross Handles



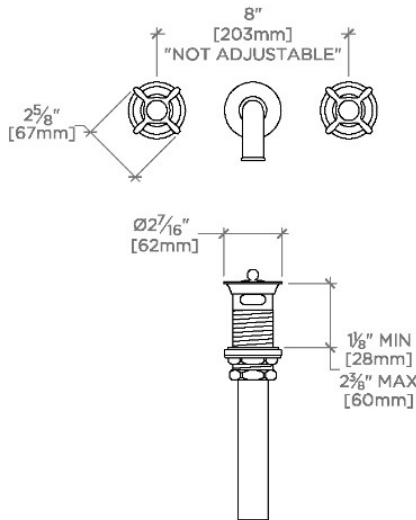
TOP VIEW

SCALE: 1/2"=1'-0"



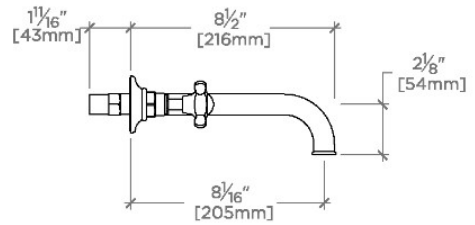
ISO VIEW

SCALE: 1/2"=1'-0"



FRONT VIEW

SCALE: 1/2"=1'-0"



SIDE VIEW

SCALE: 1/2"=1'-0"

