

## EASTON

EALS68

Easton Vintage Low Profile Three Hole Wall Mounted Lavatory Faucet with Elongated Spout and White Porcelain Lever Handles



SHOWN IN EASTON VINTAGE LOW PROFILE THREE HOLE WALL MOUNTED LAVATORY FAUCET WITH ELONGATED SPOUT AND WHITE PORCELAIN LEVER HANDLES | EALS68

### INSPIRATION

Drawing on Edwardian style, Easton is the most extensive Waterworks family; a range of moods and a selection of products from fittings to furniture.

### PRODUCT FEATURES

Available in 1.2gpm (4.5L/min) flow rate

### TECHNICAL DETAILS

ADA Compliance: Yes  
 Depth/Width: 6 1/2"  
 Drain Assembly Materials: Brass  
 Drain Depth Maximum: 2 3/4"  
 Drain Depth Minimum: 1"  
 Drain Hole Diameter: 1 3/4"  
 Fittings Hole Diameter: 1 3/8"  
 Handle Spread Maximum: 8"  
 Handle Spread Minimum: 8.1"  
 Handle Turn Angle: Quarter Turn  
 Height: 3"  
 Index Color Finish And Material: White Porcelain  
 Inlet Connection Size: 1/2"  
 Inlet Connection Type: Male NPT  
 Installation Type: Wall Mounted  
 Length: 15"  
 Primary Material: Brass  
 Restricted Maximum Flow Rate: 1.2 gpm  
 Spout Swivel: N  
 Suggested Application: Bath  
 Valve Material: Ceramic  
 Water Pressure Maximum: 85.0 psi  
 Water Pressure Minimum: 20.0 psi  
 Water Pressure Recommended: 45.0 psi

### CODES & STANDARDS

Code # EALS68: CEC

### CERTIFICATIONS



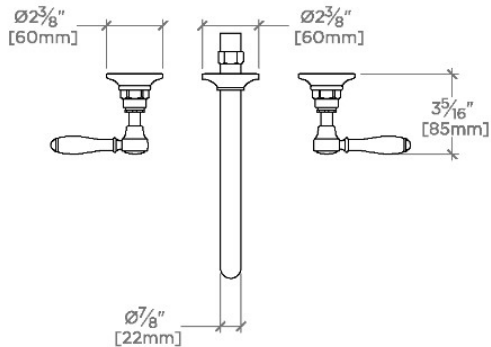
### PRODUCT (NOTES)

Sold with European style drain; USA style drain sold separately for use with non-Waterworks sinks.

## EASTON

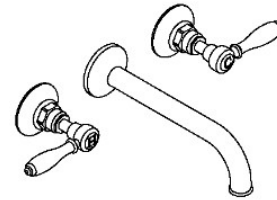
EALS68

Easton Vintage Low Profile Three Hole Wall Mounted Lavatory Faucet with Elongated Spout and White Porcelain Lever Handles



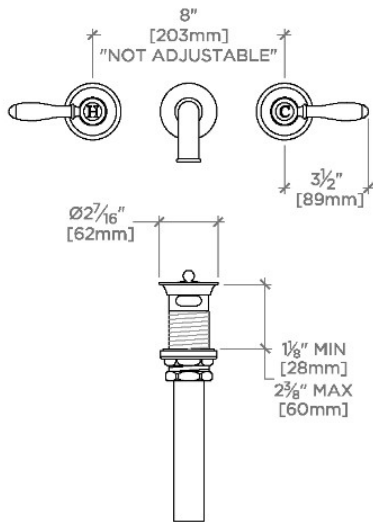
TOP VIEW

SCALE: 1/2"=1'-0"



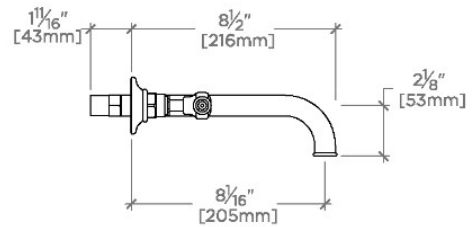
ISO VIEW

SCALE: 1/2"=1'-0"



FRONT VIEW

SCALE: 1/2"=1'-0"



SIDE VIEW

SCALE: 1/2"=1'-0"

