

.25

PTXT90

.25 Floor Mounted Exposed Tub Filler With Handshower and Joystick Handle



SHOWN IN .25 FLOOR MOUNTED EXPOSED TUB FILLER WITH HANDSHOWER AND JOYSTICK HANDLE | PTXT90

TECHNICAL DETAILS

Flow Restriction Options: 2.5, 2.0, 1.75, 1.5, 0.92
 Inlet Connection Size: 1/2"
 Inlet Connection Type: Female NPT
 Installation Type: Freestanding
 Integrated Diverter: N
 Suggested Application: Bath
 Water Pressure Maximum: 80.0 psi
 Water Pressure Minimum: 20.0 psi
 Water Pressure Recommended: 45.0 psi

INSPIRATION

.25 is the ultimate in utilitarian elegance: A simple and understated design that is equally functional and beautiful.

CODES & STANDARDS

Code # PTXT90: Complies with ASME A112.18.1/CSA B125.1, cUPC, and ADA. Certified with IAPMO, CEC, State of MA.

PRODUCT FEATURES

Tilt & Turn Handle allows for easy, one-handed operation

Unrestricted (spout) water flow of approximately 7.5 gallons per minute (gpm) and handshower water flow of 2.5 gpm
 Includes floor unions

Independent Progressive Valve allows bather to independently control water to handshower

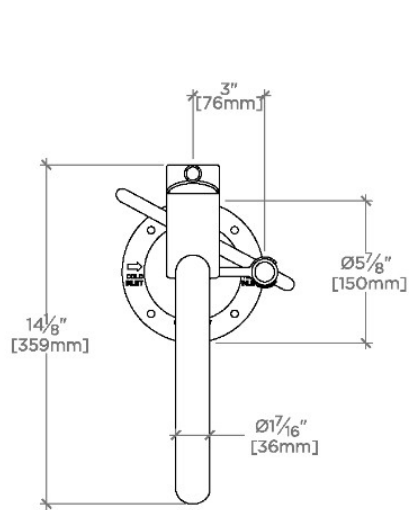
Standard flow rate is 2.5gpm for handshower only. Also available in high efficient flow options. Contact your sales associate or call 1 (800) 899-6757 for details.

CERTIFICATIONS

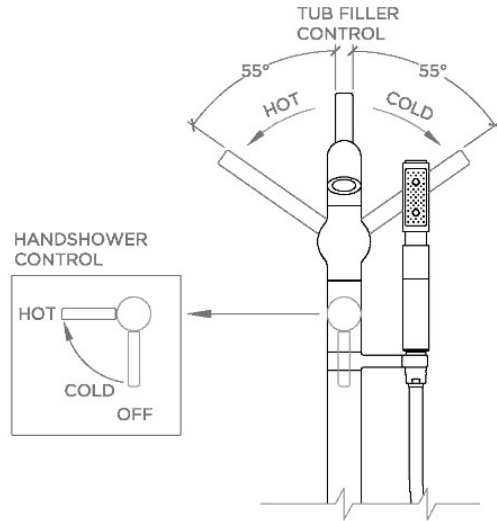


PRODUCT (NOTES)

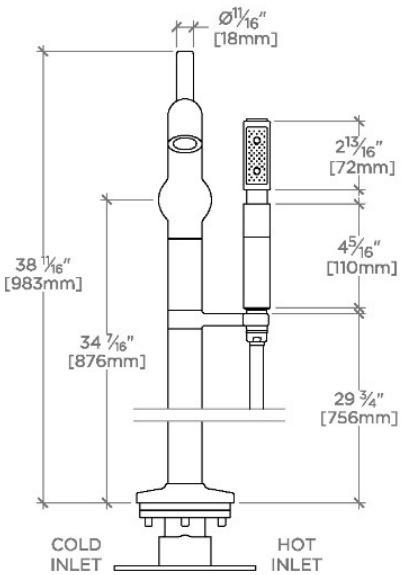
.25 Floor Mounted Exposed Tub Filler With Handshower and Joystick Handle



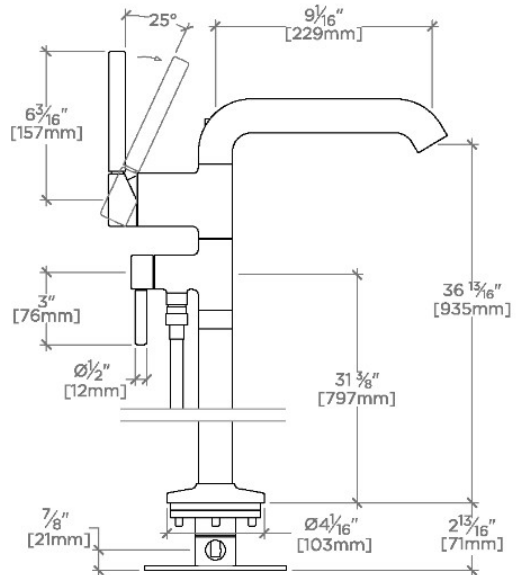
TOP VIEW SCALE: 1/2"=1'-0"



HANDLE OPERATION SCALE: 1/2"=1'-0"



FRONT VIEW SCALE: 1/2"=1'-0"



SIDE VIEW SCALE: 1/2"=1'-0"