

.25

PT02LS

.25 Low Profile Three Hole Deck Mounted Lavatory Faucet with Metal Lever Handles



SHOWN IN [.25 LOW PROFILE THREE HOLE DECK MOUNTED LAVATORY FAUCET WITH METAL LEVER HANDLES] PTL502

TECHNICAL DETAILS

ADA Compliance: Yes
 Adjustable versus Fixed Spray: Fixed Spray
 Deck Thickness Maximum: 2 1/8"
 Deck Thickness Minimum: 1/8"
 Drain Assembly Materials: Brass
 Drain Depth Maximum: 1 3/4"
 Drain Hole Diameter: 1 3/4"
 Drain Style: Push Touch
 Escutcheon Primary Material: Brass
 Fittings Hole Diameter: 1 3/8"
 Flow Restriction Options: 1.0 , 1.2 , 1.5 , 1.75, 2.2
 Handle Spread Maximum: 12"
 Handle Spread Minimum: 8"
 Handle Turn Angle: Quarter Turn
 Depth / Width: 7 1/8"
 Drain Depth Minimum: 1 1/4"
 Height: 4"
 Inlet Connection Size: 1/2"
 Inlet Connection Type: Male With Supply Nut
 Inlet Supply Spread Maximum: 12"
 Inlet Supply Spread Minimum: 8"
 Installation Type: Deck Mounted
 Length: 11 3/8"
 Number of Handles: Two
 Number of Holes: Three Hole
 Primary Material: Brass
 Spout Swivel: N
 Suggested Application: Bath
 Valve Material: Ceramic
 Water Pressure Maximum: 85.0 psi
 Water Pressure Minimum: 20.0 psi
 Water Pressure Recommended: 45.0 psi

INSPIRATION

.25 is the ultimate in utilitarian elegance: A simple and understated design that is equally functional and beautiful.

CODES & STANDARDS

Code # PTL502: ASME A112.18.1 / CSA B125.1, ASME A112.18.2 / CSA B125.2, NSF, CEC, Watersense, IAPMO, State of MA

PRODUCT FEATURES

Uses a simple pop-up drain that is closed and opened by pushing down on the stopper. Does not use a lift rod to operate the drain stopper.

Generous length of the lever handle completes itself with an eased, pillowed square form.

Standard flow rate is 2.2gpm (8.3 L/min) and State of California requires 1.2gpm(4.5 L/min). Also available in other flow options. Contact a sales associate for details.

CERTIFICATIONS



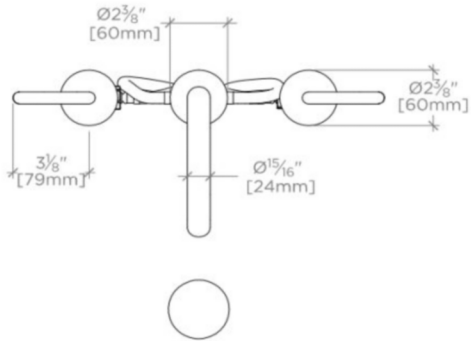
PRODUCT (NOTES)

Sold with European style drain; USA style drain sold separately for use with non-Waterworks sinks.

.25

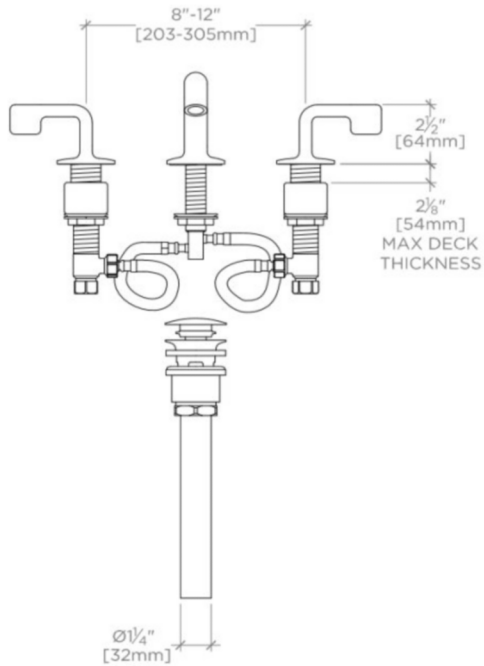
PT02LS

.25 Low Profile Three Hole Deck Mounted Lavatory Faucet with Metal Lever Handles



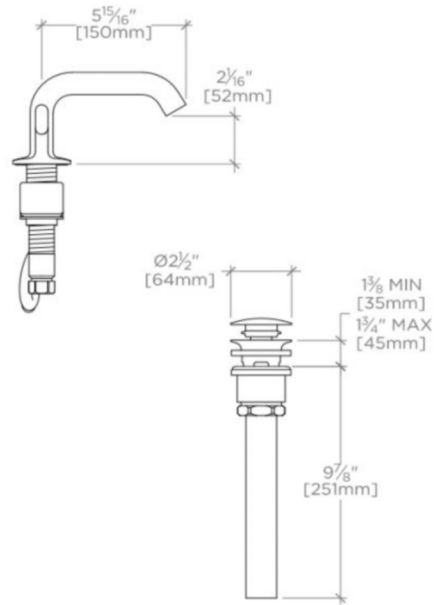
TOP VIEW

SCALE: 1 1/2"=1'-0"



FRONT VIEW

SCALE: 1 1/2"=1'-0"



SIDE VIEW

SCALE: 1 1/2"=1'-0"