

## DASH

## DSKM40

Dash One Hole High Profile Bar Faucet with Metal Cross Handle



SHOWN IN DASH ONE HOLE HIGH PROFILE BAR FAUCET WITH METAL CROSS HANDLE| DSKM40

### TECHNICAL DETAILS

Deck Thickness Maximum: 1 3/8"  
Deck Thickness Minimum: 1/4"  
Escutcheon Primary Material: Brass  
Fitting Hole Configuration / Number: One  
Fittings Hole Diameter: 1 1/2"  
Flow Restriction Options: 2.0, 1.75  
Handle Turn Angle: Full Turn  
Depth / Width: 7 3/16"  
Height: 8 9/16"  
Inlet Connection Size: 3/8"  
Inlet Connection Type: Compression Connector Hoses  
Integrated Diverter: N  
Integrated Spray: N  
Number of Holes: One Hole  
Primary Material: Brass  
Restricted Maximum Flow Rate: 2.2 gpm  
Suggested Application: Bar, Kitchen, Laundry  
Valve Material: Ceramic  
Water Pressure Maximum: 85.0 psi  
Water Pressure Minimum: 20.0 psi  
Water Pressure Recommended: 45.0 psi

### INSPIRATION

A blend of art and function, Dash pays homage to design elements of the 1930s with pared-down shapes, softened curves and minimal details.

### PRODUCT FEATURES

Cross handle.

Progressive Control. When the handle is rotated the flow of cold water begins; continue rotating activates the mixing by adding hot water; at the end of the rotation, only hot water flows. Full rotation is a quarter turn

Enhanced machining in the handle attachment ensure perfect handle alignment in the off position

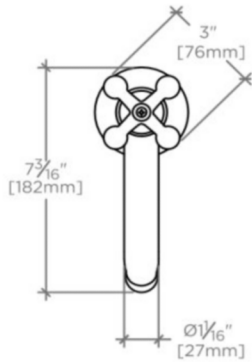
Available in 1.75gpm (6.6 L /min)

# WATERWORKS

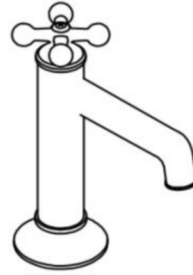
## DASH

## DSKM40

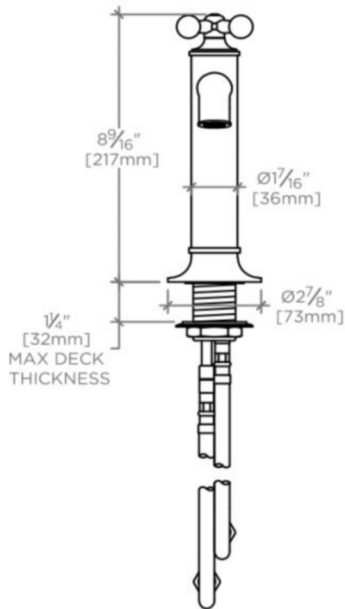
Dash One Hole High Profile Bar Faucet with Metal Cross Handle



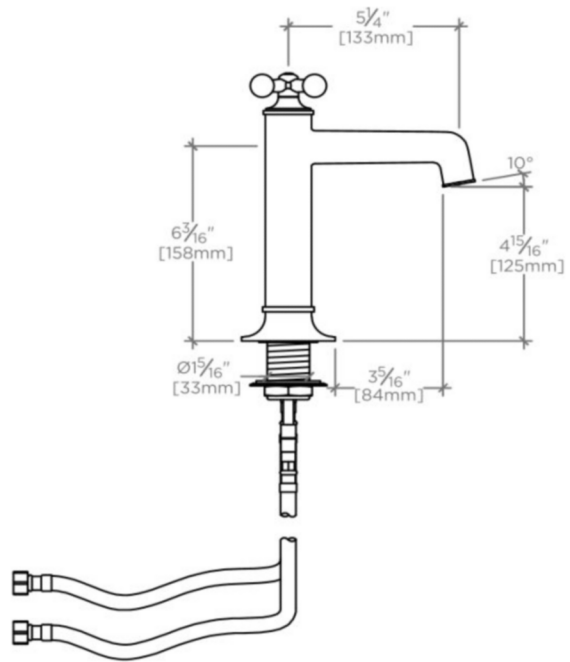
TOP VIEW SCALE: 2"=1'-0"



ISO VIEW SCALE: 2"=1'-0"



FRONT VIEW SCALE: 2"=1'-0"



SIDE VIEW SCALE: 2"=1'-0"