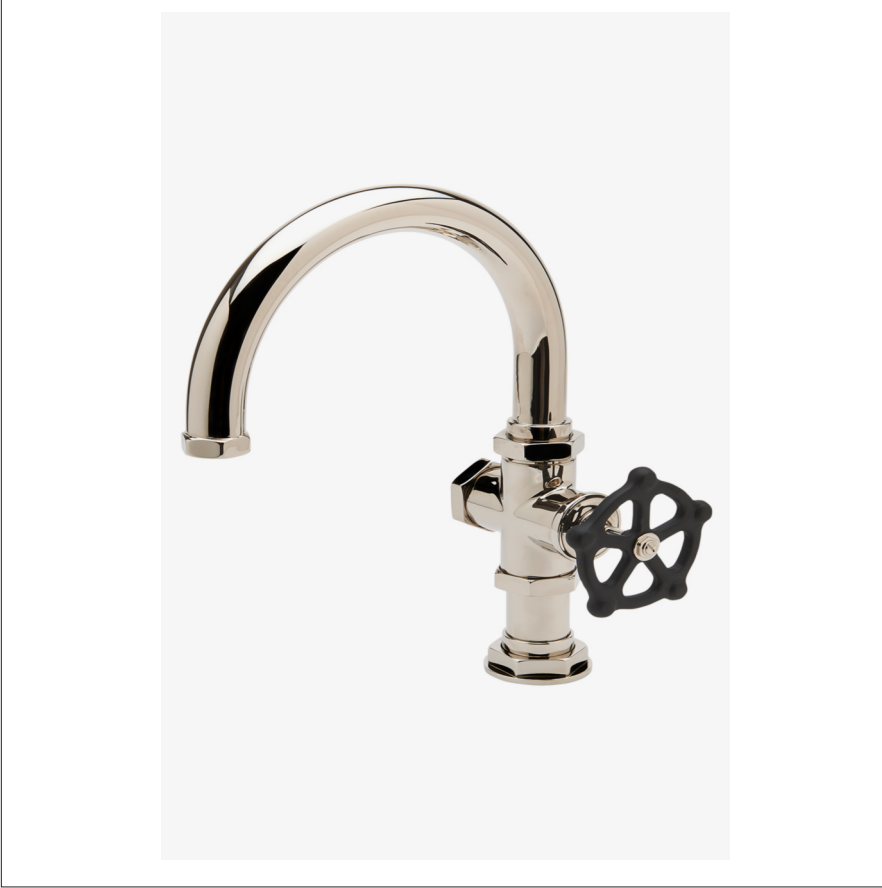


REGULATOR

RGLS40

Regulator Gooseneck One Hole Lavatory Faucet with Black Wheel Handle



SHOWN IN REGULATOR GOOSENECK ONE HOLE LAVATORY FAUCET WITH BLACK WHEEL HANDLE| RGLS40

TECHNICAL DETAILS

Deck Thickness Maximum: 2 1/16"
Deck Thickness Minimum: 1/4"
Drain Assembly Materials: Brass
Drain Depth Maximum: 2 5/8"
Drain Hole Diameter: 1 3/4"
Drain Style: Push Touch
Escutcheon Primary Material: Brass
Fittings Hole Diameter: 1 3/4"
Flow Restriction Options: 1.0, 1.2, 1.5, 1.75, 2.8
Handle Turn Angle: Quarter Turn
Depth / Width: 10 9/16"
Drain Depth Minimum: 3/8"
Height: 12 1/2"
Inlet Connection Size: 3/8"
Inlet Connection Type: Compression Connection Hoses
Length: 4 13/16"
Number of Holes: One Hole
Primary Material: Brass
Spout Swivel: Y
Suggested Application: Bath
Water Pressure Maximum: 85.0 psi
Water Pressure Minimum: 20.0 psi
Water Pressure Recommended: 45.0 psi

INSPIRATION

A play on industrial controls from the early 1900s, when pride was lavished on parts. Translated to handcrafted, fittings project rugged beauty through powerful, detailed shapes.

PRODUCT FEATURES

Matte Black Wheel Handle

Includes European push touch style drain.

Stocked in Nickel, Chrome and Unlacquered Brass

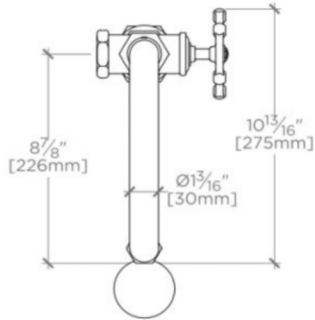
Standard flow rate is 2.2gpm (8.3 L/min) and State of California requires 1.2gpm(4.5 L/min). Also available in other flow options. Contact a sales associate for details.

WATERWORKS

REGULATOR

RGLS40

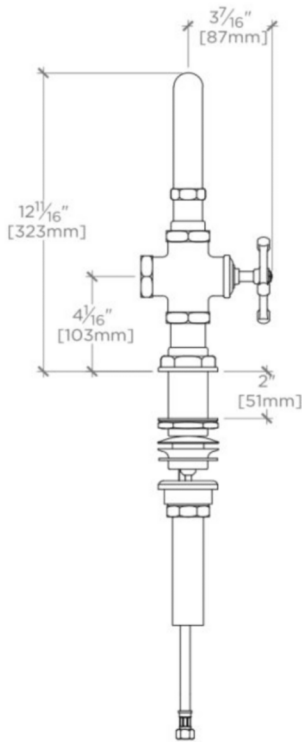
Regulator Gooseneck One Hole Lavatory Faucet with Black Wheel Handle



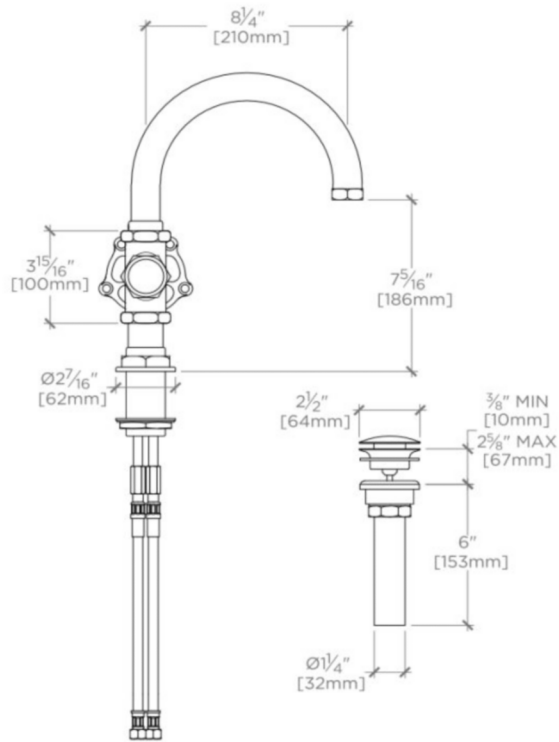
TOP VIEW SCALE: $\frac{1}{2}$ "=1'-0"



ISO VIEW SCALE: $\frac{1}{2}$ "=1'-0"



FRONT VIEW SCALE: $\frac{1}{2}$ "=1'-0"



SIDE VIEW SCALE: $\frac{1}{2}$ "=1'-0"