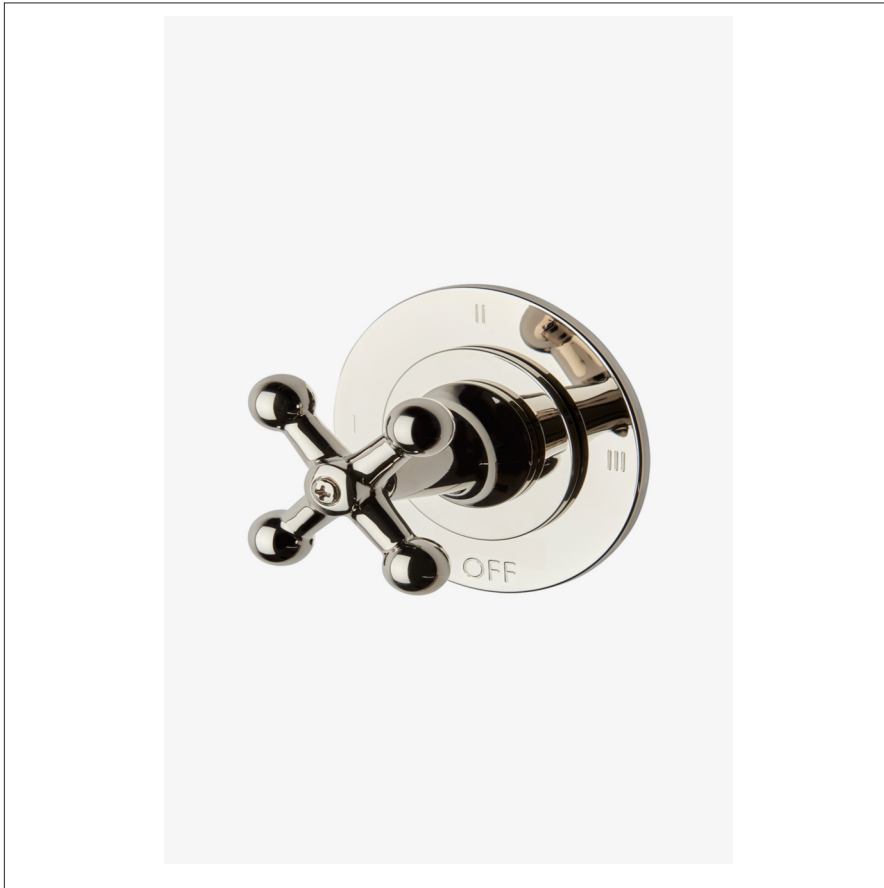


## DASH

DS3T01

Dash Three Way Thermostatic Diverter Valve Trim with Roman Numerals and Metal Cross Handle



### TECHNICAL DETAILS

Control Valve Rough-in Depth Maximum: 5 1/2"  
Control Valve Rough-in Depth Minimum: 3 1/4"  
Escutcheon Primary Material: Brass  
Fittings Hole Diameter: 2 1/2"  
Handle Turn Angle: Full Turn  
Depth / Width: 2 13/16"  
Height: 3 3/4"  
Installation Type: Wall Mounted  
Length: 3 3/4"  
Number of Handles: One  
Primary Material: Brass  
Suggested Application: Bath

### INSPIRATION

A blend of art and function, Dash pays homage to design elements of the 1930s with pared-down shapes, softened curves and minimal details.

### PRODUCT FEATURES

Metal Cross Handle

For use with a Thermostatic shower system and three waterway outlets such as a handshower, shower head, or tub spout

Roman Numeral Icons

Stocked in Nickel, Chrome, Unlacquered Brass, and Matte Nickel finishes

Requires valve rough GUDV66(USA) or GU66DV(UK) sold separately.

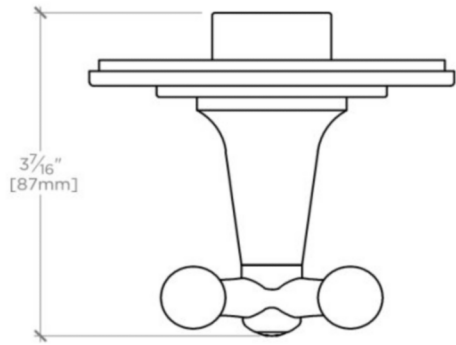
### PRODUCT (NOTES)

Product Requires Universal Three Way Diverter Valve for Thermostatic Shower Systems [GUDV66]. Valve Sold Separately.

## DASH

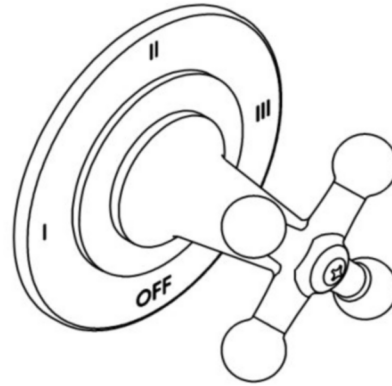
DS3T01

Dash Three Way Thermostatic Diverter Valve Trim with Roman Numerals and Metal Cross Handle



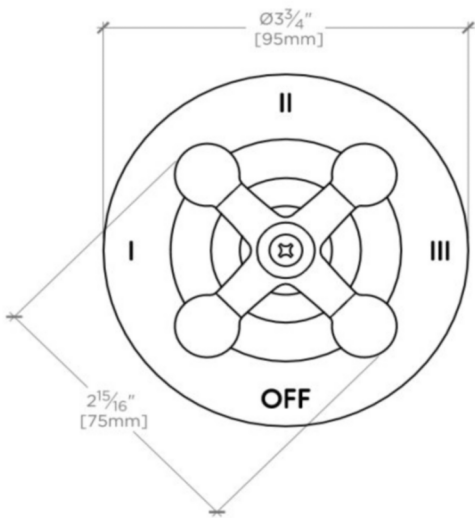
TOP VIEW

SCALE: 6"=1'-0"



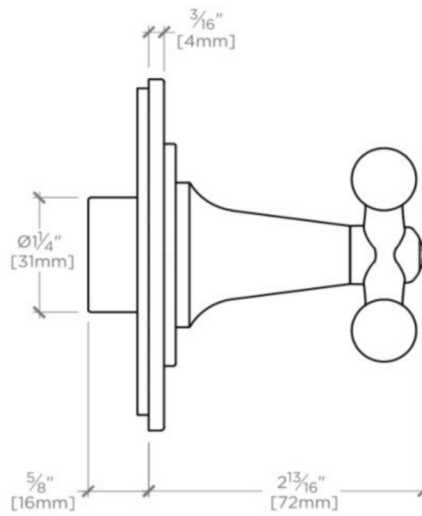
ISO VIEW

SCALE: 6"=1'-0"



FRONT VIEW

SCALE: 6"=1'-0"



SIDE VIEW

SCALE: 6"=1'-0"