

DASH

DSPB30

Dash Pressure Balance Control Valve Trim with Diverter and Metal Lever Handle



SHOWN IN DASH PRESSURE BALANCE CONTROL VALVE TRIM WITH DIVERTER AND METAL LEVER HANDLE| DSPB30

TECHNICAL DETAILS

Control Valve Rough-in Depth Maximum: 2 7/8"
Control Valve Rough-in Depth Minimum: 2 3/8"
Escutcheon Primary Material: Brass
Fittings Hole Diameter: 3 1/2"
Depth / Width: 2 15/16"
Height: 6 1/8"
Installation Type: Wall Mounted
Integrated Diverter: Y
Length: 5 1/2"
Number of Handles: One
Primary Material: Brass
Suggested Application: Bath

INSPIRATION

A blend of art and function, Dash pays homage to design elements of the 1930s with pared-down shapes, softened curves and minimal details.

PRODUCT FEATURES

Metal Lever Handle

Integral diverter allows bather to move water between two sources.

Allows bather to adjust temperature to waterway outlet, features anti-scald protection through an integrated high limit safety stop

Stocked in Nickel, Chrome, Unlacquered Brass, and Matte Nickel finishes

Requires valve rough GUPB87(USA) or GU87PB(UK) sold separately

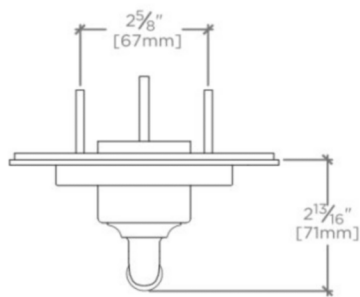
PRODUCT (NOTES)

Product Requires Universal Pressure Balance with Diverter Valve.
Valve Sold Separately.

DASH

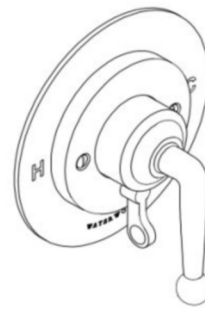
DSPB30

Dash Pressure Balance Control Valve Trim with Diverter and Metal Lever Handle



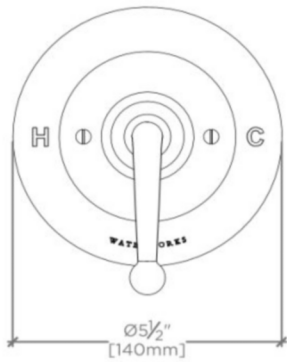
TOP VIEW

SCALE: 3"=1'-0"



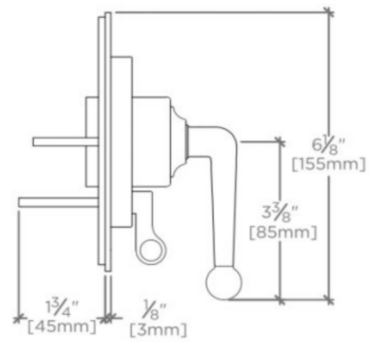
ISO VIEW

SCALE: 3"=1'-0"



FRONT VIEW

SCALE: 3"=1'-0"



SIDE VIEW

SCALE: 3"=1'-0"