

## DASH

## DSTH10

Dash Thermostatic Control Valve Trim with Metal Lever Handle



SHOWN IN DASH THERMOSTATIC CONTROL VALVE TRIM WITH METAL LEVER HANDLE| DSTH10

### TECHNICAL DETAILS

Control Valve Rough-in Depth Maximum: 8 1/8"  
Control Valve Rough-in Depth Minimum: 2 1/2"  
Escutcheon Primary Material: Brass  
Fittings Hole Diameter: 5 1/4"  
Depth / Width: 4 3/8"  
Height: 6 11/16"  
Installation Type: Wall Mounted  
Integrated Diverter: N  
Length: 6 5/16"  
Number of Handles: One  
Primary Material: Brass  
Suggested Application: Bath

### INSPIRATION

A blend of art and function, Dash pays homage to design elements of the 1930s with pared-down shapes, softened curves and minimal details.

### PRODUCT FEATURES

Metal Lever Handle

Allows bather to adjust temperature of all waterway outlets

Stocked in Nickel, Chrome, Unlacquered Brass, and Matte Nickel finishes

Requires valve rough GUTH37(USA) or GU37TH(UK) sold separately

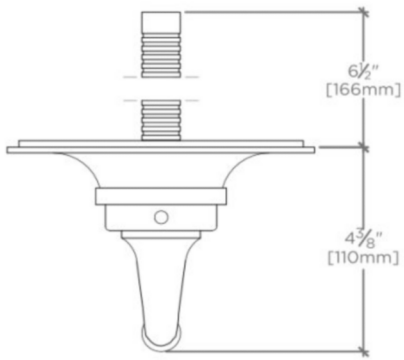
### PRODUCT (NOTES)

Product Requires Universal 3/4" Thermostatic Valve [GUTH37]. Valve Sold Separately.

## DASH

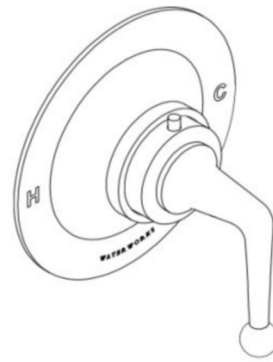
## DSTH10

Dash Thermostatic Control Valve Trim with Metal Lever Handle



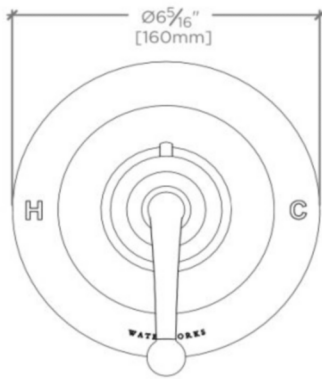
TOP VIEW

SCALE: 3"=1'-0"



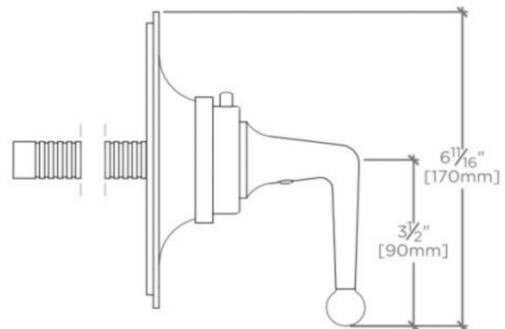
ISO VIEW

SCALE: 3"=1'-0"



FRONT VIEW

SCALE: 3"=1'-0"



SIDE VIEW

SCALE: 3"=1'-0"