

HENRY

Henry Wall Mounted Lavatory Faucet with Cross Handles

HN60LS



SHOWN IN HENRY WALL MOUNTED LAVATORY FAUCET WITH CROSS HANDLES| HNLS60

TECHNICAL DETAILS

ADA Compliance: Yes
Fittings Hole Diameter: 1 3/8"
Flow Restriction Options: 2.2
Handle Spread Maximum: 8"
Handle Spread Minimum: 8"
Inlet Connection Size: 1/2"
Inlet Connection Type: Female NPT
Restricted Maximum Flow Rate: 2.2 gpm
Suggested Application: Bath
Water Pressure Maximum: 85.0 psi
Water Pressure Minimum: 20.0 psi
Water Pressure Recommended: 45.0 psi

INSPIRATION

Influenced by the connection of industry and art Henry easily transitions between modern, traditional, utilitarian and classic settings.

PRODUCT FEATURES

Includes European push touch style drain.

Standard flow rate is 2.2gpm (8.3 L/min) and State of California requires 1.2gpm(4.5 L/min). Also available in other flow options. Contact a sales associate for details.

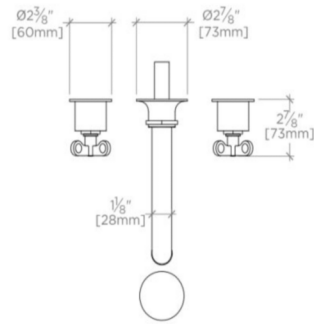


WATERWORKS

HENRY

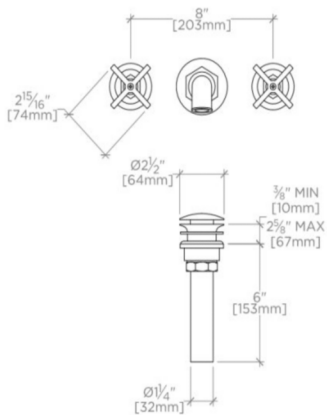
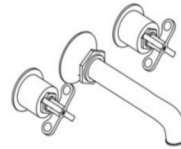
HN60LS

Henry Wall Mounted Lavatory Faucet with Cross Handles

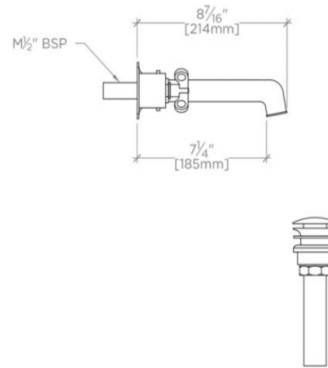


TOP VIEW SCALE: 1/2"=1'-0"

ADAPTER(S) PACKAGED SEPARATELY		
ADAPTER	DESCRIPTION	QTY
UNUK04	1/2" NPT Male x 1/2" Male Nipple 50mm Long BSP	1



FRONT VIEW SCALE: 1/2"=1'-0"



SIDE VIEW SCALE: 1/2"=1'-0"