

HENRY

Henry Three Hole Gooseneck Kitchen Faucet, Metal Lever Handles and Spray

HNKM30



SHOWN IN HENRY THREE HOLE GOOSENECK KITCHEN FAUCET, METAL LEVER HANDLES AND SPRAY | HNKM30

TECHNICAL DETAILS

ADA Compliance: Yes
Depth / Width: 11 11/16"
Height: 14 1/2"
Primary Material: Brass
Spout Swivel: Y
Suggested Application: Bar, Kitchen, Laundry

INSPIRATION

Influenced by the connection of industry and art Henry easily transitions between modern, traditional, utilitarian and classic settings.

CODES & STANDARDS

Code # HNKM30: Complies with ASME A112.18.1/CSA B125.1, ADA, CEC, NSF 61 and 0.25% Weighted Average Lead content. Certified with IAPMO, cUPC, CEC, NSF, State of MA and WRAS.

PRODUCT FEATURES

Built-in automatic diverter for spray operation.
Quarter turn ceramic cartridge
Hot and/or Cold Mix for the Sidespray.
Available in cross and lever handle options
Standard flow rate is 2.2gpm (8.3 L/min) and State of California requires a maximum of 1.8gpm(6.8 L/min). Also available in other flow options. Contact a sales associate for details.

CERTIFICATIONS

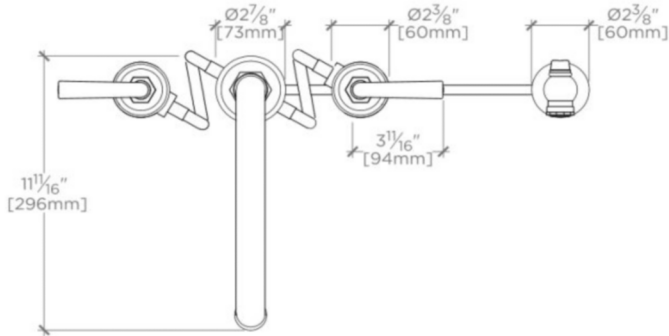


WATERWORKS

HENRY

HNKM30

Henry Three Hole Gooseneck Kitchen Faucet, Metal Lever Handles and Spray



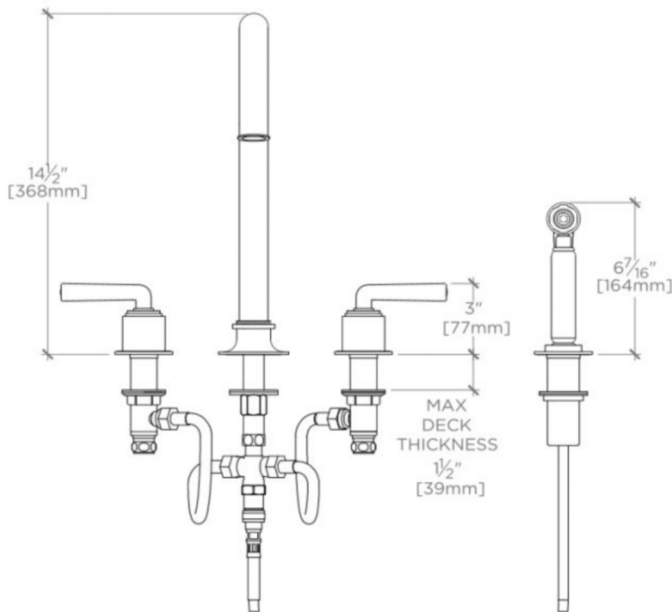
TOP VIEW

SCALE: $1\frac{1}{2}"=1'-0"$



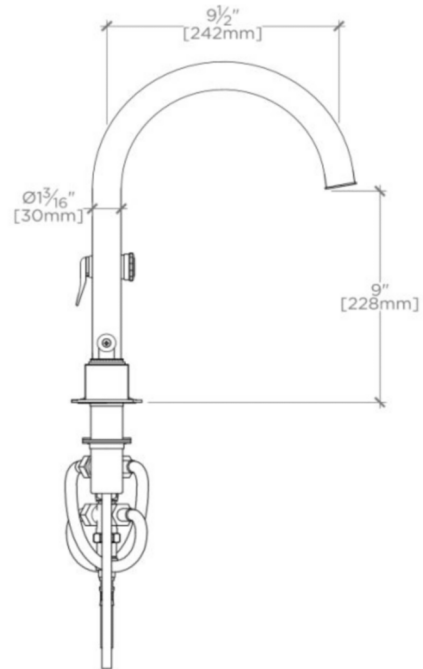
ISO VIEW

SCALE: $1\frac{1}{2}"=1'-0"$



FRONT VIEW

SCALE: $1\frac{1}{2}"=1'-0"$



SIDE VIEW

SCALE: $1\frac{1}{2}"=1'-0"$