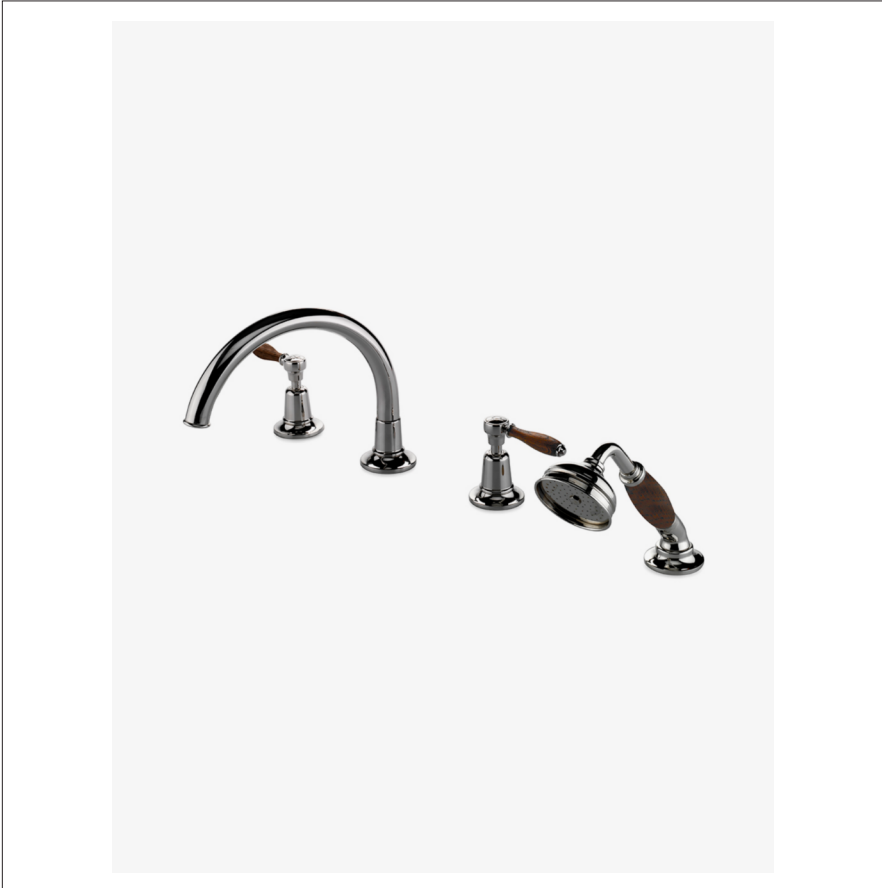


EASTON

EATF55

Easton Classic Gooseneck Concealed Tub Filler With Handshower and Oak Lever Handles



SHOWN IN EASTON CLASSIC GOOSENECK CONCEALED TUB FILLER WITH HANDSHOWER AND OAK LEVER HANDLES

TECHNICAL DETAILS

ADA Compliance: No
 Adjustable versus Fixed Spray: Fixed Spray
 Deck Thickness Maximum: 1 1/2"
 Deck Thickness Minimum: 0"
 Escutcheon Primary Material: Brass
 Fittings Hole Diameter: 1 3/8"
 Flow Restriction Options: 2.0, 1.75, 1.5, 0.92
 Handle Spread Maximum: 12"
 Handle Spread Minimum: 10"
 Handle Turn Angle: Quarter Turn
 Handshower / Spray Hose Length: 79"
 Index Color / Finish and Material: White Porcelain
 Index Marking: H/C
 Inlet Connection Size: 3/4"
 Inlet Connection Type: Male NPT Adapter
 Inlet Supply Spread Maximum: 12"
 Inlet Supply Spread Minimum: 10"
 Installation Type: Deck Mounted
 Integrated Diverter: N
 Number of Handles: Three
 Number of Holes: Five Hole
 Pivot: N
 Primary Material: Brass
 Restricted Maximum Flow Rate: 2.5 gpm
 Spout Swivel: N
 Suggested Application: Bath
 Water Pressure Maximum: 85.0 psi
 Water Pressure Minimum: 20.0 psi
 Water Pressure Recommended: 45.0 psi

INSPIRATION

Drawing on Edwardian style, Easton is the most extensive Waterworks family; a range of moods and a selection of products from fittings to furniture.

CODES & STANDARDS

Code # EATU55: ASME A112.18.1, CSA B125, ASSE 1014, IAPMO, State of MA

PRODUCT FEATURES

Brass metal is used for all trim and valve components.

The manufacturing process encompasses casting, turning, forging, hand-fitting and hand polishing. Easton has a clean-lined utilitarian profile, with a slightly elongated spout.

Standard flow rate is 2.5gpm for handshower only. Also available in high efficient flow options. Contact your sales associate or call 1 (800) 899-6757 for details.

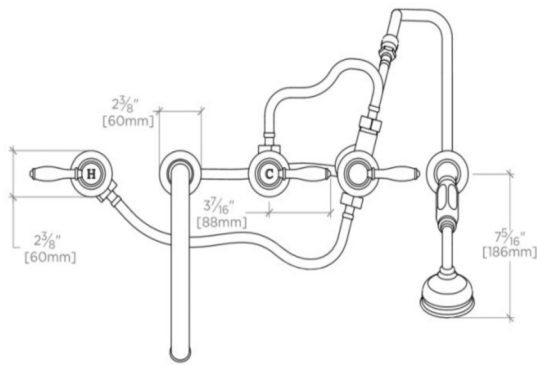


WATERWORKS

EASTON

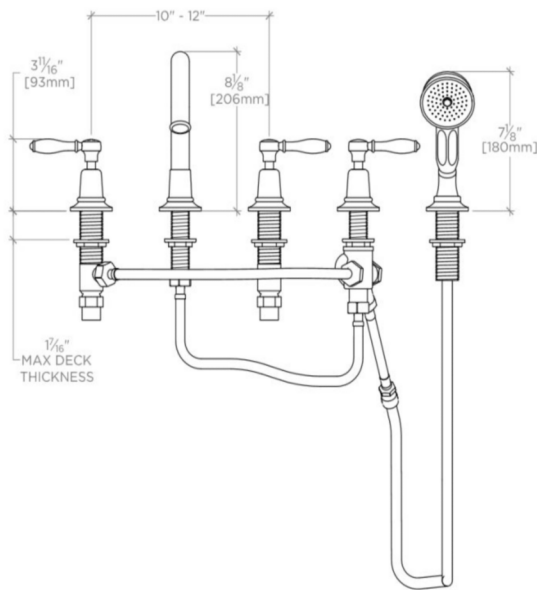
EATF55

Easton Classic Gooseneck Concealed Tub Filler With Handshower and Oak Lever Handles



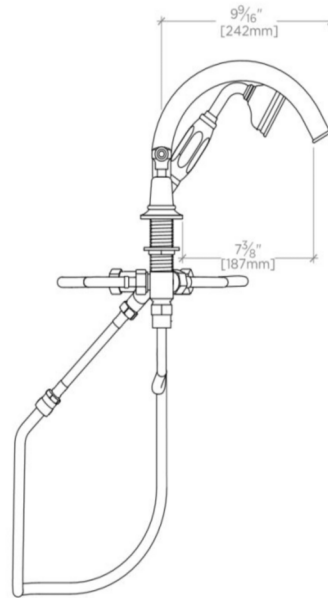
TOP VIEW

SCALE: 1/2"=1'-0"



FRONT VIEW

SCALE: 1/2"=1'-0"



SIDE VIEW

SCALE: 1/2"=1'-0"