

## HENRY

Henry Ceiling Mounted 8" Shower Rose, Arm and Flange

## HNSH30



SHOWN IN HENRY CEILING MOUNTED 8" SHOWER ROSE, ARM AND FLANGE | HNSH30

### TECHNICAL DETAILS

ADA Compliance: No  
Adjustable versus Fixed Spray: Fixed Spray  
Diameter of Head: 8"  
Escutcheon Primary Material: Brass  
Fittings Hole Diameter: 1 1/4"  
Flow Restriction Options: 2.5, 2.0, 1.75, 1.5  
Depth / Width: 7 7/8"  
Height: 11 5/16"  
Inlet Connection Size: 1/2"  
Inlet Connection Type: Female NPT  
Installation Type: Ceiling Mounted  
Integrated Diverter: N  
Integrated Spray: N  
Length: 7 7/8"  
Pivot: N  
Primary Material: Brass  
Spout Swivel: N  
Spray Included in Unit: N  
Suggested Application: Bath  
Water Pressure Maximum: 85.0 psi  
Water Pressure Minimum: 20.0 psi  
Water Pressure Recommended: 45.0 psi

### INSPIRATION

Influenced by the connection of industry and art Henry easily transitions between modern, traditional, utilitarian and classic settings.

### CODES & STANDARDS

Code # HNSH30X: Complies with ASME A112.18.1/CSA B125.1, ASTM E 1621-05. Certified with IAPMO, Cupc, CEC & State of MA

### PRODUCT FEATURES

The manufacturing process encompasses casting, turning, forging, hand-fitting and hand polishing.

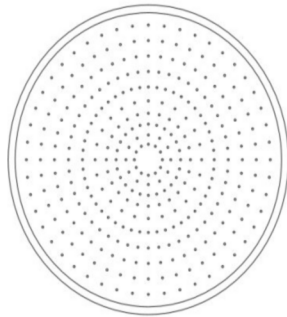
Stocked in 2.5gpm (9.5 L/min) and 1.75gpm (6.6 L/min). State of California requires 1.75gpm (6.6 L/min) to comply with their water conservation requirements. Other flow options are available to order, contact your sales associate or call 1 (800) 899-6757 for details.



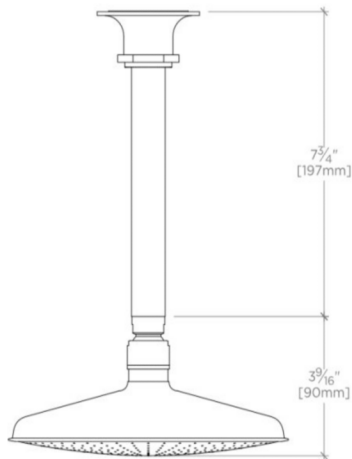
## HENRY

## HNSH30

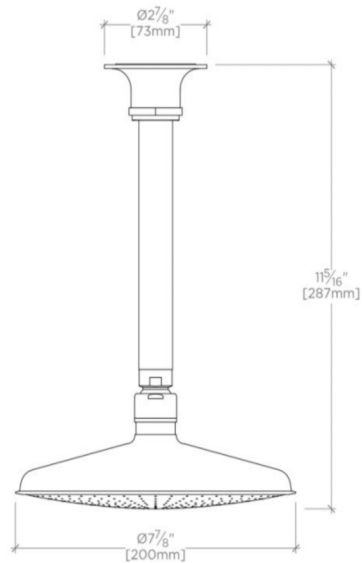
Henry Ceiling Mounted 8" Shower Rose, Arm and Flange



CEILING VIEW SCALE: 3"=1'-0"



FRONT VIEW SCALE: 3"=1'-0"



SIDE VIEW SCALE: 3"=1'-0"