

FORMWORK

FMXT30

Formwork Deck Mounted Exposed Tub Filler with Metal Joystick Handle



SHOWN IN FORMWORK DECK MOUNTED EXPOSED TUB FILLER WITH METAL JOYSTICK HANDLE | FMXT30

TECHNICAL DETAILS

Adjustable Shelves: N
Adjustable versus Fixed Spray: Fixed Spray
Escutcheon Primary Material: Brass
Handle Turn Angle: Quarter Turn Each Way
Index Marking: H/C
Inlet Connection Size: 1/2"
Inlet Connection Type: Female Hose Connection
Installation Type: Deck Mounted
Integrated Diverter: N
Integrated Spray: N
Number of Handles: One
Number of Holes: One Hole
Pivot: N
Primary Material: Brass
Restricted Maximum Flow Rate: 2.5 gpm
Spout Swivel: N
Spray Included in Unit: N
Suggested Application: Bath
Valve Material: Ceramic
Water Pressure Maximum: 85.0 psi
Water Pressure Minimum: 20.0 psi
Water Pressure Recommended: 45.0 psi

INSPIRATION

Sculptural forms that defy the ordinary. Unexpected geometry and the transition of the planes create a subtle but warm expression.

CODES & STANDARDS

Code # FMXT30X: Certified with cUPC, NSF, IAPMO, CSA

PRODUCT FEATURES

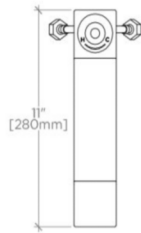
Joystick Handle allows for easy, one-handed operation
Unrestricted (spout) water flow of approximately 8-10 gallons per minute (gpm)



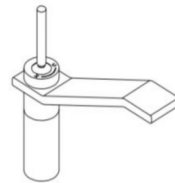
FORMWORK

FMXT30

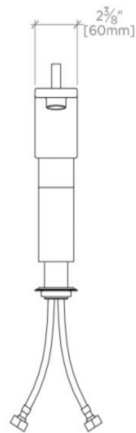
Formwork Deck Mounted Exposed Tub Filler with Metal Joystick Handle



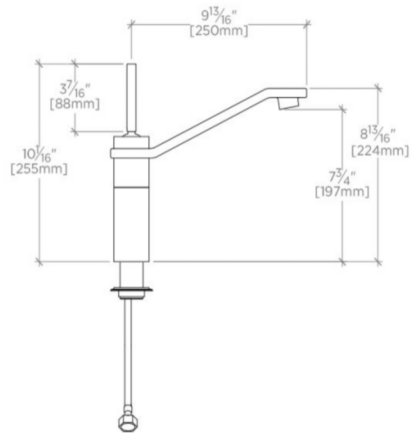
TOP VIEW SCALE: 1/2"=1'-0"



ISO VIEW SCALE: 1/2"=1'-0"



FRONT VIEW SCALE: 1/2"=1'-0"



SIDE VIEW SCALE: 1/2"=1'-0"