

## FORMWORK

FMLS70

Formwork Low Profile Three Hole Wall Mounted Lavatory Faucet with Metal Lever Handles



SHOWN IN FORMWORK LOW PROFILE THREE HOLE WALL MOUNTED LAVATORY FAUCET WITH METAL LEVER HANDLES

### TECHNICAL DETAILS

ADA Compliance: Yes  
 Adjustable Shelves: N  
 Adjustable versus Fixed Spray: Fixed Spray  
 Control Valve Rough-in Depth Maximum: 5 3/4"  
 Control Valve Rough-in Depth Minimum: 2 7/8"  
 Drain Depth Maximum: 1 3/4"  
 Drain Hole Diameter: 1 3/4"  
 Drain Style: Push Touch  
 Escutcheon Primary Material: Brass  
 Fittings Hole Diameter: 1 3/8"  
 Flow Restriction Options: 1.0 , 1.2 , 1.5 , 1.75, 2.2  
 Handle Spread Maximum: 8"  
 Handle Spread Minimum: 8"  
 Handle Turn Angle: Quarter Turn  
 Depth / Width: 9 1/16"  
 Drain Depth Minimum: 1 1/2"  
 Height: 6"  
 Inlet Connection Size: 1/2"  
 Inlet Connection Type: Female NPT  
 Inlet Supply Spread Maximum: 8"  
 Inlet Supply Spread Minimum: 8"  
 Installation Type: Wall Mounted  
 Integrated Diverter: N  
 Integrated Spray: N  
 Length: 12 5/8"  
 Number of Handles: Two  
 Number of Holes: Three Hole  
 Primary Material: Brass  
 Spout Swivel: N  
 Spray Included in Unit: N  
 Suggested Application: Bath  
 Valve Material: Ceramic  
 Water Pressure Maximum: 85.0 psi  
 Water Pressure Minimum: 20.0 psi  
 Water Pressure Recommended: 45.0 psi

### INSPIRATION

Sculptural forms that defy the ordinary. Unexpected geometry and the transition of the planes create a subtle but warm expression.

### CODES & STANDARDS

Code # FMLS70X: Certified with cUPC, NSF, CEC, IAPMO, CSA

### PRODUCT FEATURES

Lever Handles

Requires the Lavatory Wall Mounted Rough Valve for Lever Handles: 26-57750-68803 (GULV25)

Standard flow rate is 2.2gpm (8.3 L/min) and State of California requires 1.2gpm(4.5 L/min). Also available in other flow options. Contact a sales associate for details.

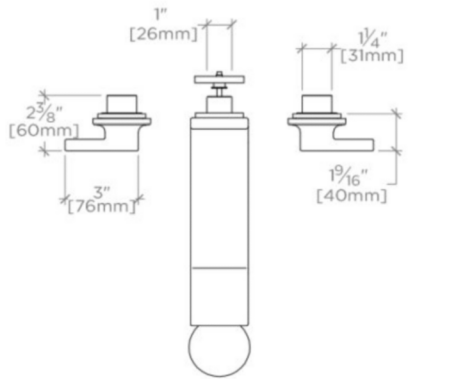
### CERTIFICATIONS



## FORMWORK

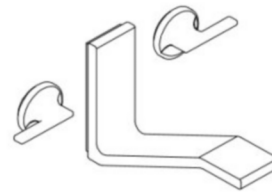
FMLS70

Formwork Low Profile Three Hole Wall Mounted Lavatory Faucet  
with Metal Lever Handles



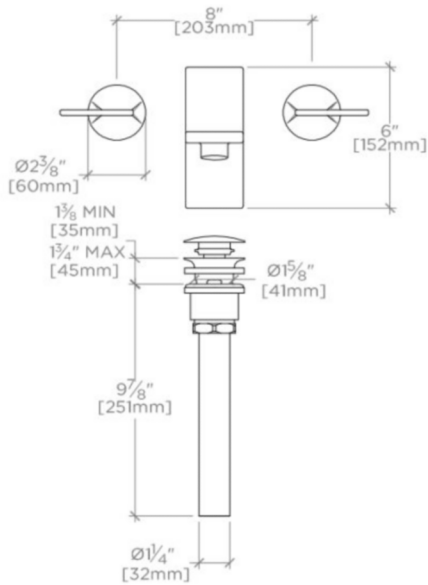
TOP VIEW

SCALE: 1/2"=1'-0"



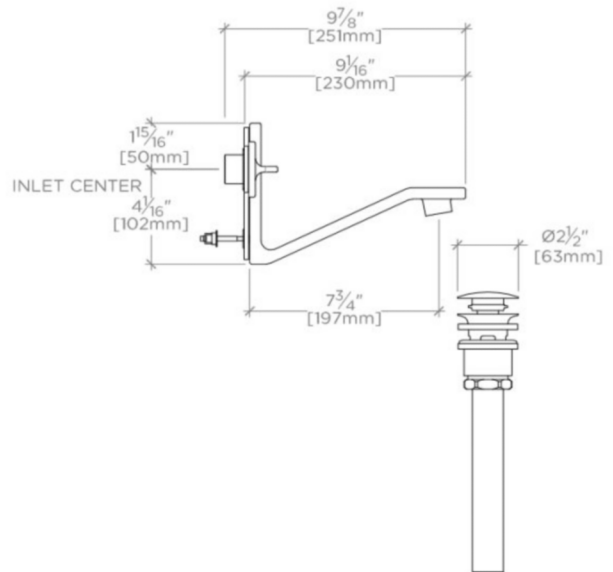
ISO VIEW

SCALE: 1/2"=1'-0"



FRONT VIEW

SCALE: 1/2"=1'-0"



SIDE VIEW

SCALE: 1/2"=1'-0"