

## EASTON

## EAXS52

Easton Classic Three Cross Handle Exposed Thermostatic System with Shower Rose and Handshower



SHOWN IN EASTON CLASSIC THREE CROSS HANDLE EXPOSED THERMOSTATIC SYSTEM WITH SHOWER ROSE AND

### TECHNICAL DETAILS

Adjustable versus Fixed Spray: Fixed Spray  
Diameter of Head: 8"  
Escutcheon Primary Material: Brass  
Fittings Hole Diameter: 1 1/4"  
Handshower / Spray Hose Length: 59"  
Index Color / Finish and Material: White Porcelain  
Index Marking: Blank  
Inlet Connection Size: 3/4"  
Inlet Connection Type: Male NPT  
Inlet Supply Spread Maximum: 8 1/8"  
Inlet Supply Spread Minimum: 8 1/8"  
Installation Type: Wall Mounted  
Integrated Diverter: N  
Number of Handles: Three  
Primary Material: Brass  
Suggested Application: Bath  
Valve Material: Brass  
Water Pressure Maximum: 85.0 psi  
Water Pressure Minimum: 20.0 psi  
Water Pressure Recommended: 45.0 psi

### INSPIRATION

Drawing on Edwardian style, Easton is the most extensive Waterworks family; a range of moods and a selection of products from fittings to furniture.

### PRODUCT FEATURES

Built in Anti-scald protection.

An extensive range of fittings, fixture and accessory options for the lavatory, bath and kitchen.

The pillowed propeller on the cross handle makes the product fit comfortably in the hand.

An extensive range of fittings, fixture and accessory options for the lavatory, bath and kitchen.

Stocked in 2.5gpm (9.5 L/min) and 1.75gpm (6.6 L/min). State of California requires 1.75gpm (6.6 L/min) to comply with their water conservation requirements. Other flow options are available to order, contact your sales associate

### PRODUCT (NOTES)

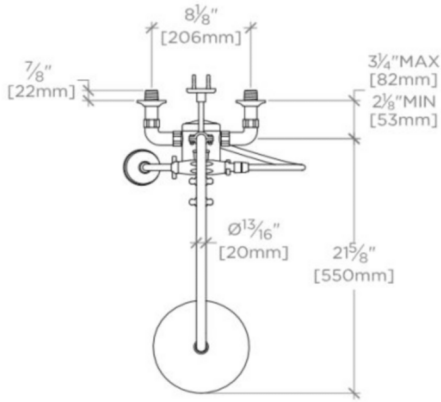
Valve Included

# WATERWORKS

## EASTON

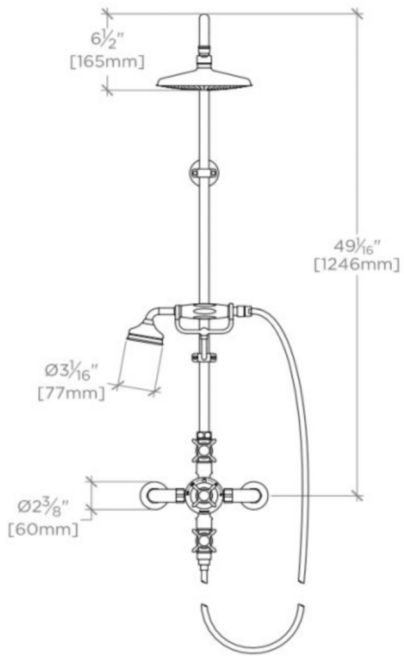
## EAXS52

Easton Classic Three Cross Handle Exposed Thermostatic System with Shower Rose and Handshower



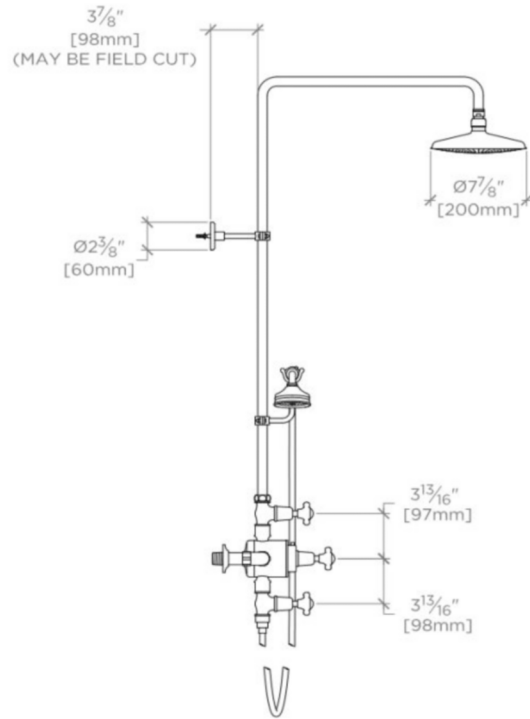
TOP VIEW

SCALE: 3/4"=1'-0"



FRONT VIEW

SCALE: 3/4"=1'-0"



SIDE VIEW

SCALE: 3/4"=1'-0"