

FORMWORK

FMWS03

Formwork Single Washstand Packaged with White Glass Counter
Sink Top with Three Holes 42" x 25" x 34"



TECHNICAL DETAILS

ADA Compliance: When installed per ADA guidelines
Bowl Shape: Rectangular
Drain Hole Diameter: 1 3/4"
Fitting Hole Configuration / Number: 3.0
Fittings Hole Diameter: 1 3/8"
Depth / Width: 25"
Height: 34"
Installation Type: Freestanding
Leg Material: Metal
Length: 42"
Number of Legs: Two
Sink Visibility: N
Suggested Application: Bath

INSPIRATION

Sculptural forms that defy the ordinary. Unexpected geometry and the transition of the planes create a subtle but warm expression.

PRODUCT FEATURES

Both Washstand and Glass Counter Sink are hand crafted in the USA

Washstand is only available in Stainless Steel finish.

ADA Compliant when installed per ADA Guidelines



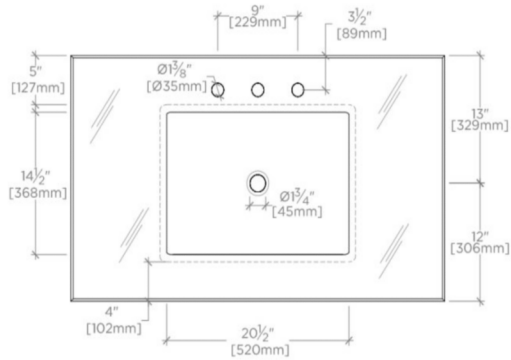
PRODUCT (NOTES)

Slab and sink top are included

FORMWORK

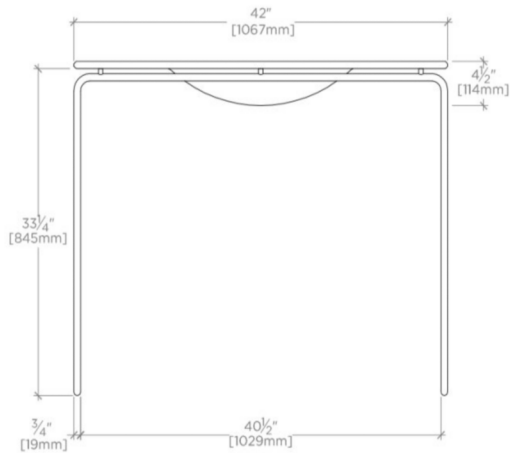
FMWS03

Formwork Single Washstand Packaged with White Glass Counter
Sink Top with Three Holes 42" x 25" x 34"



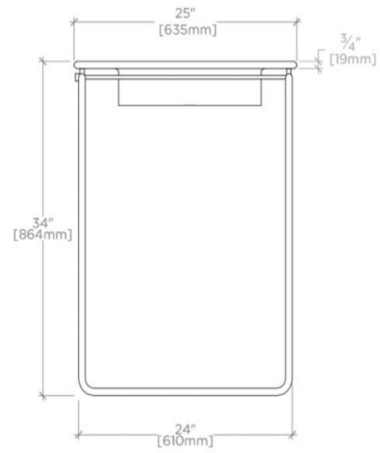
TOP VIEW

SCALE: 3/4"=1'-0"



FRONT VIEW

SCALE: 3/4"=1'-0"



SIDE VIEW

SCALE: 3/4"=1'-0"