

HENRY

HTF113

Henry Concealed Tub Filler with Handshower and Coin Edge Lever Handles



SHOWN IN HENRY CONCEALED TUB FILLER WITH HANDSHOWER AND COIN EDGE LEVER HANDLES | HTF113

TECHNICAL DETAILS

Deck Thickness Maximum: 2 1/8"
Deck Thickness Minimum: 1/2"
Fittings Hole Diameter: 1 3/8"
Handle Spread Minimum: 8"
Handle Turn Angle: Quarter Turn
Handshower Spray Hose Length: 60"
Inlet Connection Size: 3/4"
Inlet Connection Type: Male NPT
Integrated Diverter: Y
Number Of Holes: Four Hole
Primary Material: Brass
Restricted Maximum Flow Rate: 1.75 gpm
Valve Material: Brass and Ceramic
Water Pressure Maximum: 85.0 psi
Water Pressure Minimum: 20.0 psi
Water Pressure Recommended: 45.0 psi

INSPIRATION

Influenced by the connection of industry and art Henry easily transitions between modern, traditional, utilitarian and classic settings.

CODES & STANDARDS

PRODUCT FEATURES

Features Coin Edge Lever Handles

Solid Brass Construction

Diverter Knob Allows Bather to Move Water From Spout to Handshower

Stocked in Nickel/Dark Nickel and Brass/Dark Nickel

Unrestricted Flow for Tub Spout. Handshower Available in 1.75gpm (4.5L/min) Flow Rate

CERTIFICATIONS

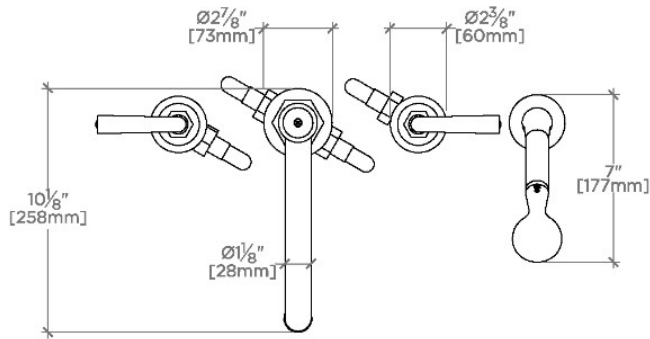
PRODUCT (NOTES)

WATERWORKS

HENRY

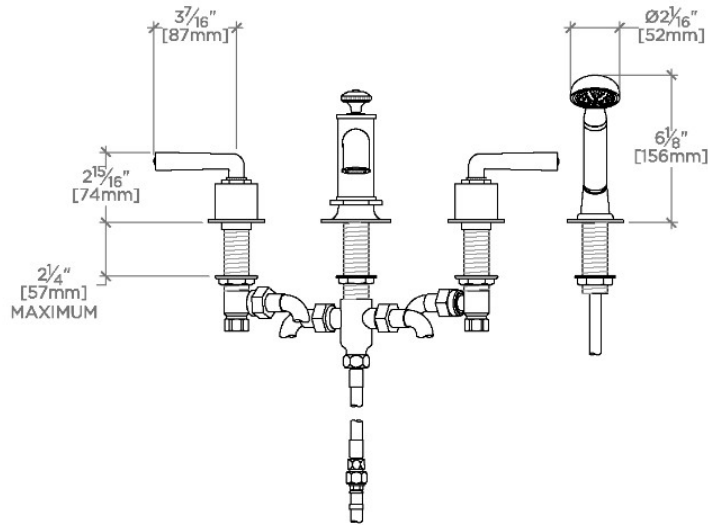
HTF113

Henry Concealed Tub Filler with Handshower and Coin Edge
Lever Handles



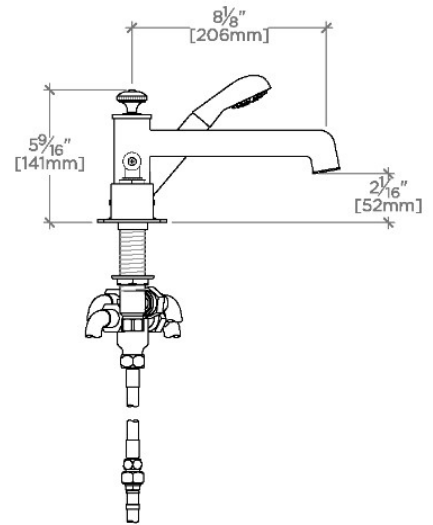
TOP VIEW

SCALE: 1/2"=1'-0"



FRONT VIEW

SCALE: 1/2"=1'-0"



SIDE VIEW

SCALE: 1/2"=1'-0"