

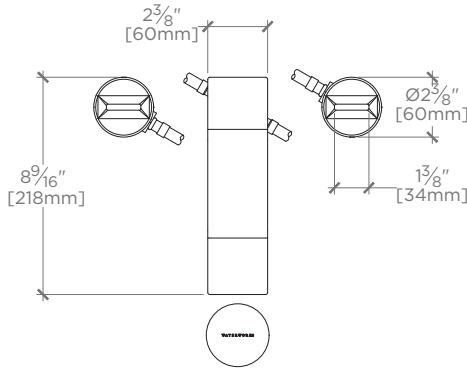
Formwork

COMMERCIAL ONLY Custom Formwork
Lavatory Faucet with Crystal Knob
Handles, 1.2gpm (4.5L/min)



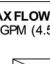


STYLE No. ZFLS29-1.2

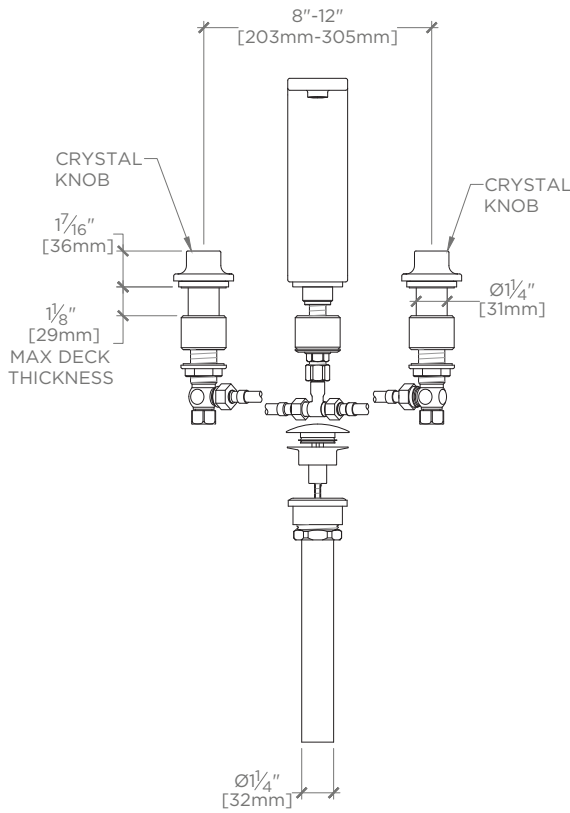
BASE STYLE No. FMLS01

All dimensions are based on original specifications and are subject to change and variation. Please consult your Design Associate for current specifications.

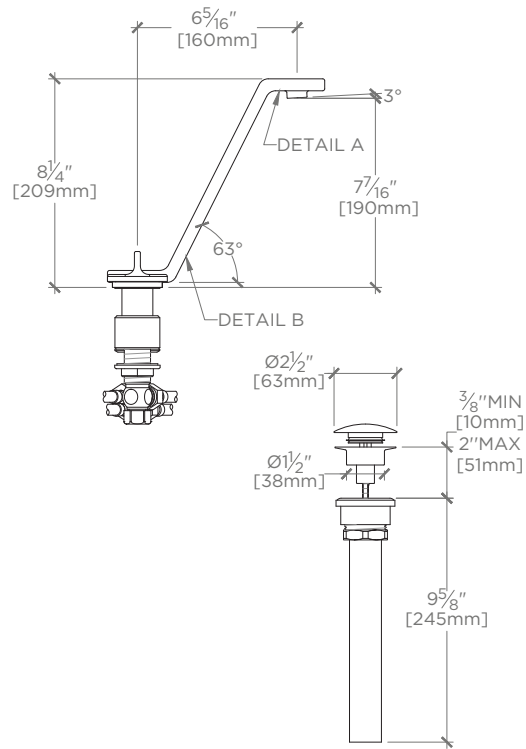


TOP VIEW

COMPLIANCE MARKINGS	
MANUFACTURER MARK ON PRODUCT (5MM MIN)	 OR 
CUPC ON PRODUCT	
FLOW RATE ON PRODUCT	DETAIL A
SECONDARY PACKAGE LABELS	<div style="display: flex; align-items: center;"> <div style="margin-right: 10px;"> <p>MAX FLOW RATE 1.2 GPM (4.5 L/min)</p>  <p>NSF/ANSI/CAN 61: Q ≤ 1</p> </div> <div style="border: 1px solid black; padding: 5px;">  <p>Meets EPA Criteria Certified by IAPMO R&T</p> </div> </div>
ADDITIONAL SECONDARY PACKAGE LABELS	<p>WARNING: This product can expose you to chemicals including lead and lead compounds, which are known to the State of California to cause cancer and birth defects or other reproductive harm. For more information go to www.P65Warnings.ca.gov.</p>



FRONT VIEW



SIDE VIEW

SPECIFICATIONS:

- Fittings Hole Diameter: 1-3/8" [35mm]
- Drain Hole Diameter: 1-3/4" [44mm]
- Drain Style: Push Touch
- Handle Turn Angle: Quarter Turn
- Inlet Connection: 1/2" Male with Supply Nut
- Water Pressure: 85.0 psi [6.0 bar] **MAX**- 20.0 psi [1.5 bar] **MIN**
- Water Pressure Recommended: 45.0 psi [3.0 bar]
- Restricted Maximum Flow Rate: 1.2gpm (4.5L/min)

NOTES:

CODES & STANDARDS:

NSF/ANSI/CAN 61:Q < 1, ASME A112.18.1-2018/CSA B125.1-18, CEC, DOE, State of MA