

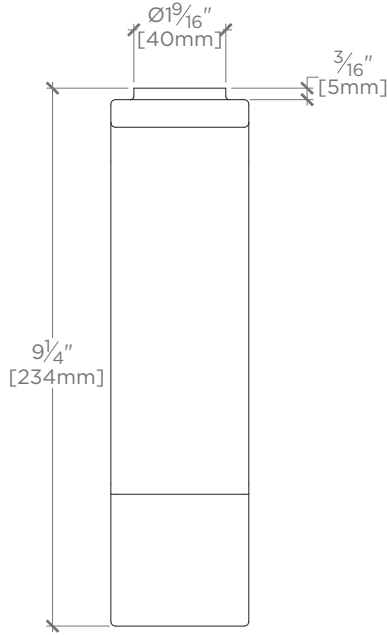
Formwork

COMMERCIAL ONLY Custom Formwork
Wall Mounted Tub Spout

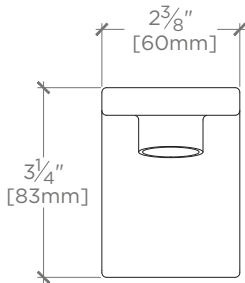
STYLE No. FMTS80

BASE STYLE No. FMTS01

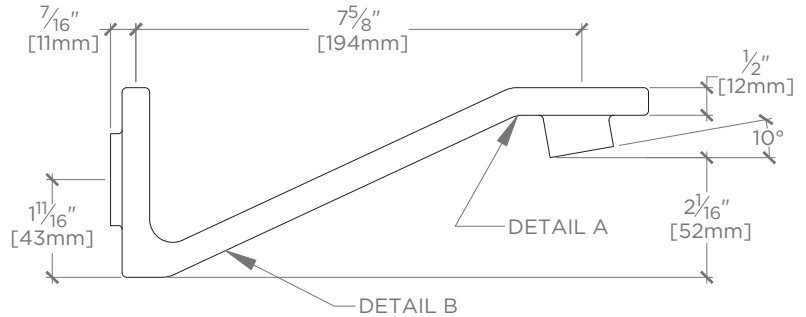
All dimensions are based on original specifications and are subject to change and variation. Please consult your Design Associate for current specifications.







TOP VIEW



FRONT VIEW



SIDE VIEW

COMPLIANCE MARKINGS	
MANUFACTURER MARK ON PRODUCT (5MM MIN)	 OR 
CUPC ON PRODUCT	
FLOW RATE ON PRODUCT	DETAIL A
SECONDARY PACKAGE LABELS	
ADDITIONAL SECONDARY PACKAGE LABELS	<p>WARNING : This product can expose you to chemicals including lead and lead compounds, which are known to the State of California to cause cancer and birth defects or other reproductive harm. For more information go to www.P65Warnings.ca.gov.</p>

SPECIFICATIONS:

Water Pressure: 85.0 psi [6.0 bar] **MAX**- 20.0 psi [1.5 bar] **MIN**
Water Pressure Recommended: 45.0 psi [3.0 bar]

NOTES:

CODES & STANDARDS:

ASME A112.18.1-2018/CSA B125.1-18, State of MA